



US00D341781S

United States Patent [19]
Sanyal

[11] **Patent Number: Des. 341,781**

[45] **Date of Patent: ** Nov. 30, 1993**

[54] **INTERLOCKING BOTTLE**
[76] **Inventor: Shubhankar Sanyal, 284 Eastern Pkwy. #1C, Brooklyn, N.Y. 11225**
[**] **Term: 14 Years**
[21] **Appl. No.: 572,018**
[22] **Filed: Aug. 24, 1990**
[52] **U.S. Cl. D9/535; D9/337; D9/341; D9/516; D9/564**
[58] **Field of Search D9/341, 347, 367, 375, D9/403-413, 307, 382; D21/108; D25/113, 118; 215/6, 10, 1 R, 1 C; 220/23.4**

3,194,426 7/1965 Brown, Jr. 220/23.4
3,819,188 6/1974 Freedman D21/108 X
4,570,799 2/1986 Mednis 206/509
4,671,412 6/1987 Gatten 206/509
4,691,828 9/1987 Slusarczyk 206/509

Primary Examiner—Bernard Ansher
Assistant Examiner—Lucy Lieberman
Attorney, Agent, or Firm—Terry M. Gernstein

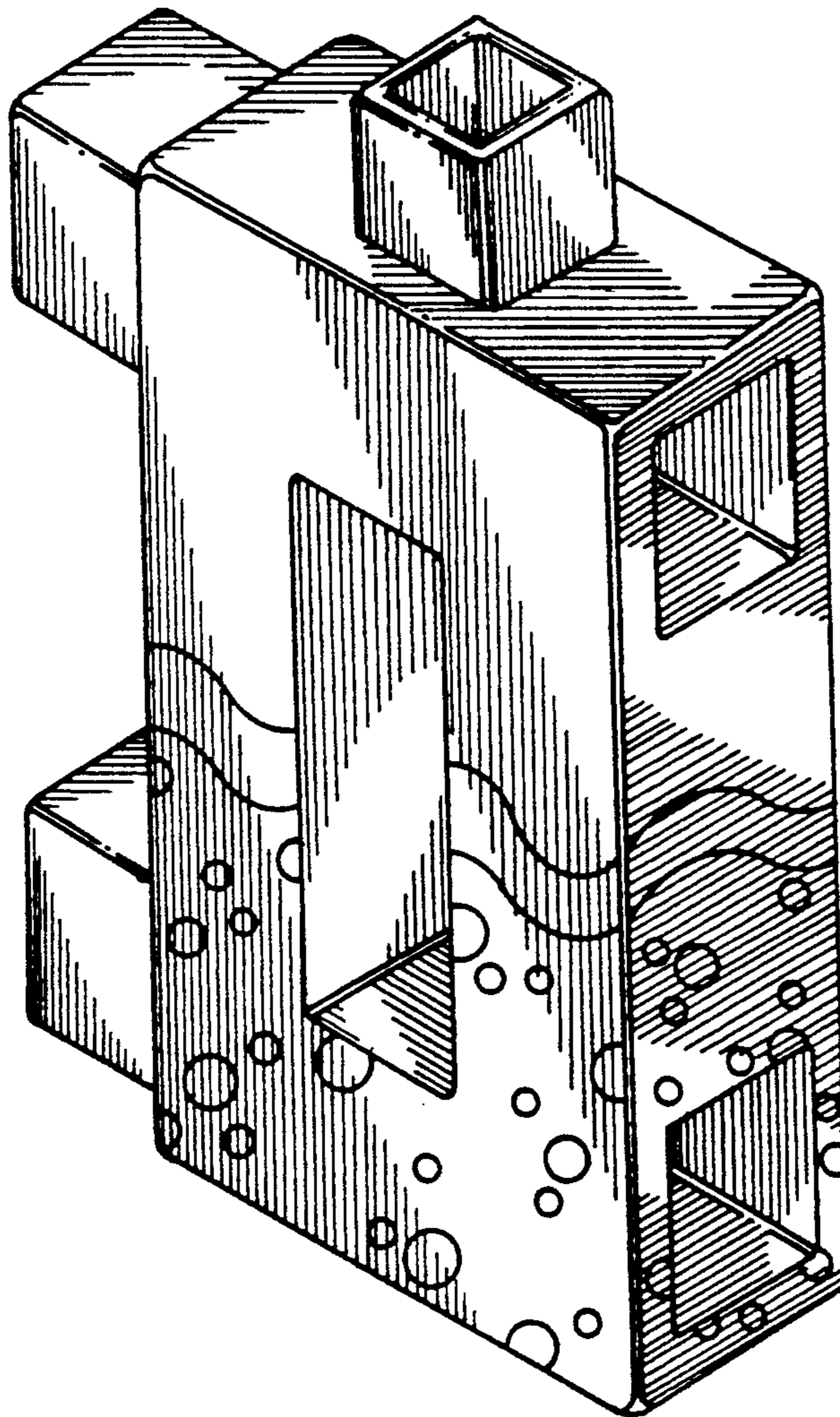
[56] **References Cited**
U.S. PATENT DOCUMENTS

D. 203,231 12/1965 Cohen D9/307
D. 253,033 10/1979 Meyer et al. D9/413
D. 253,034 10/1979 Meyer et al. D9/413 X
D. 282,244 1/1986 Santoiemmo D9/367
D. 285,585 9/1986 Murdough, Jr. et al. D21/108
D. 297,961 10/1988 Egger D9/382 X

[57] **CLAIM**
The ornamental design for an interlocking bottle, as shown and described.

DESCRIPTION

FIG. 1 is a top, front and right side perspective view of an interlocking bottle showing my new design; FIG. 2 is a front elevational view thereof; FIG. 3 is a rear elevational view thereof; FIG. 4 is a left side elevation thereof; FIG. 5 is a right side elevation thereof; FIG. 6 is a top plan view thereof; and, FIG. 7 is a bottom view thereof.



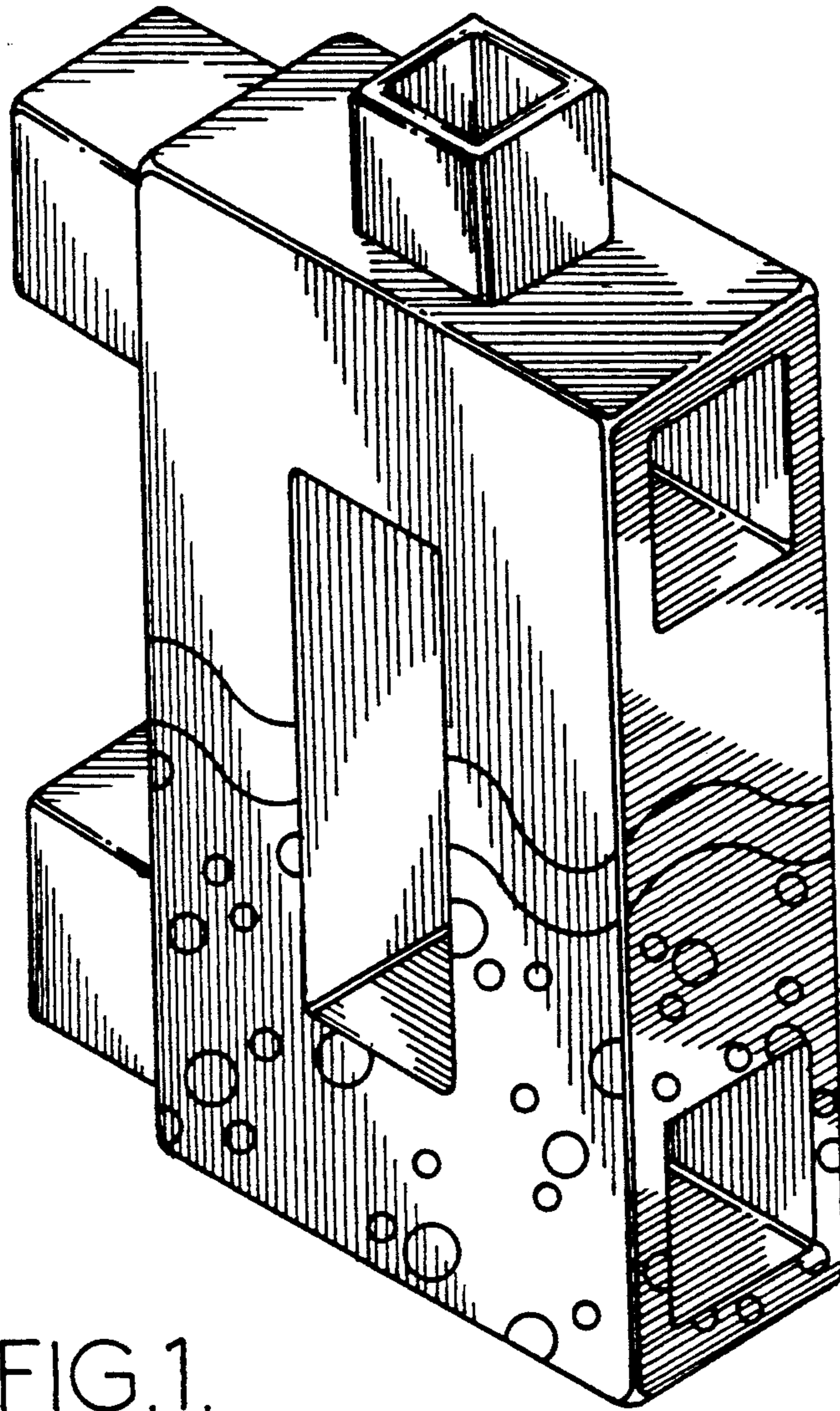


FIG.1.

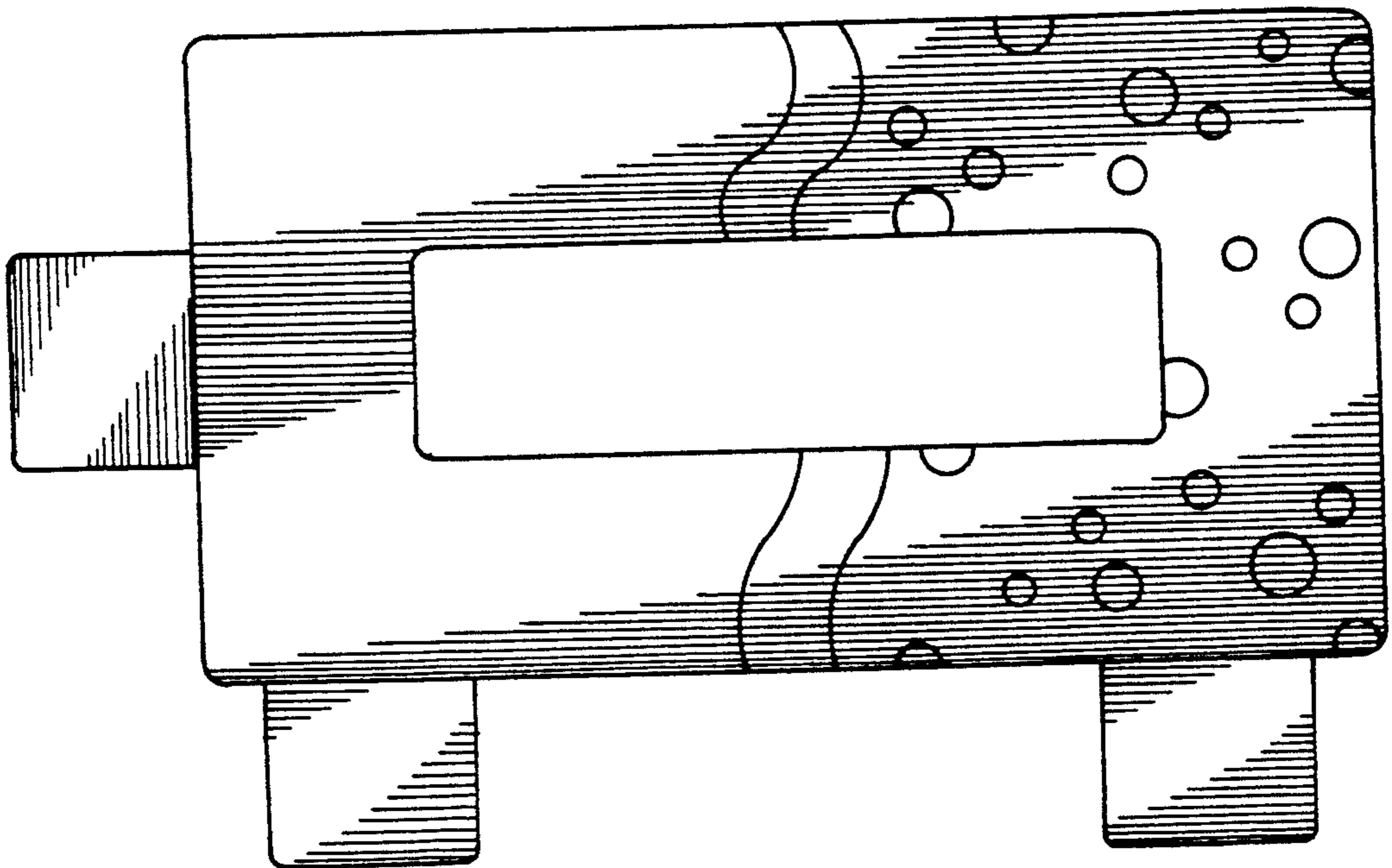
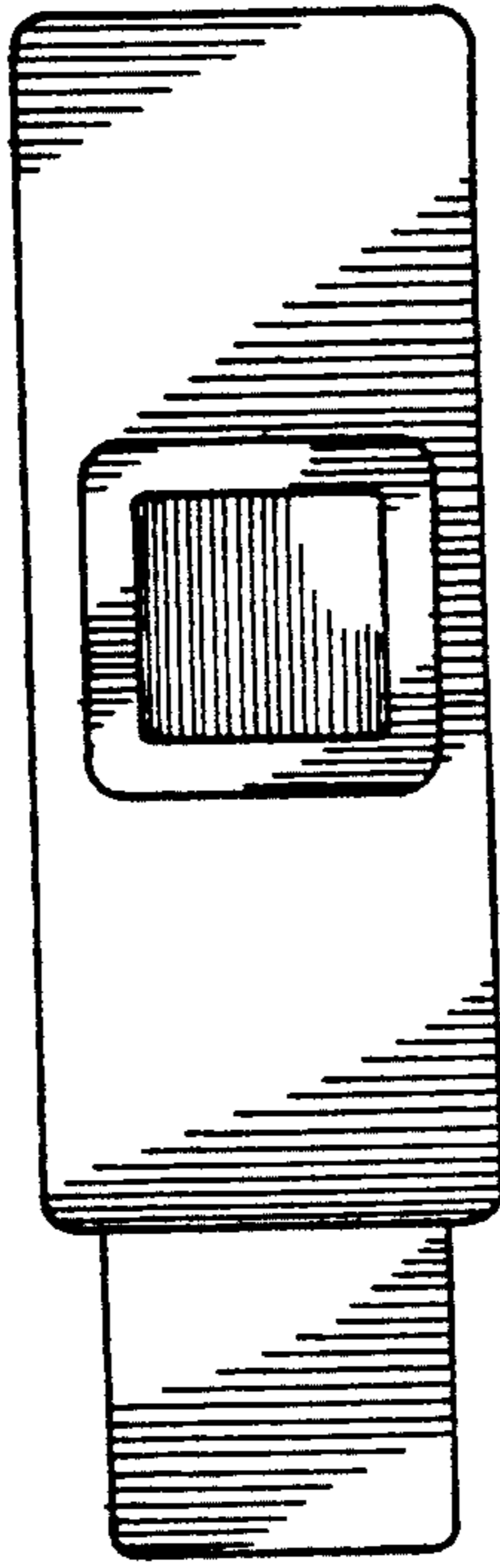


FIG. 2.

FIG. 6.



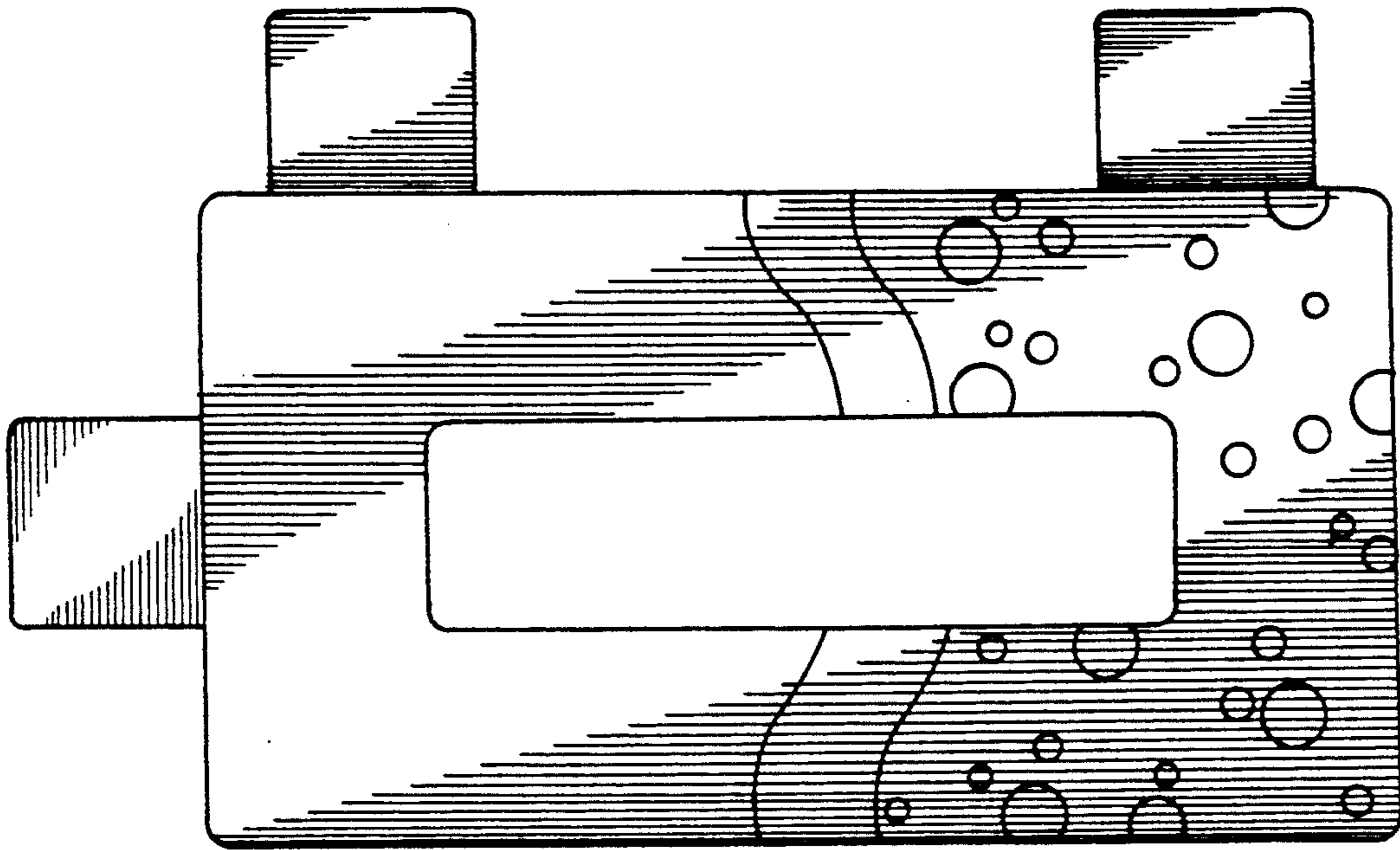


FIG. 3.

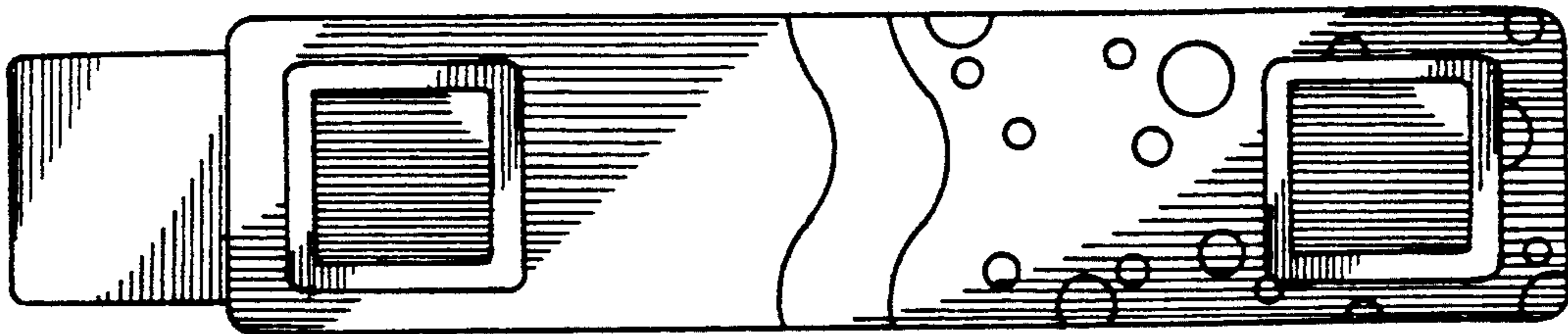


FIG. 4.

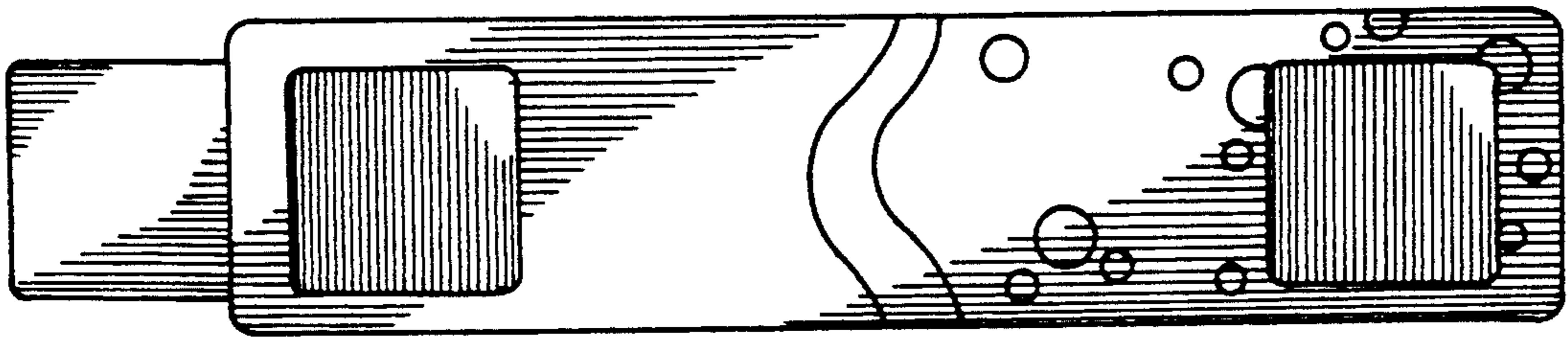


FIG. 5.

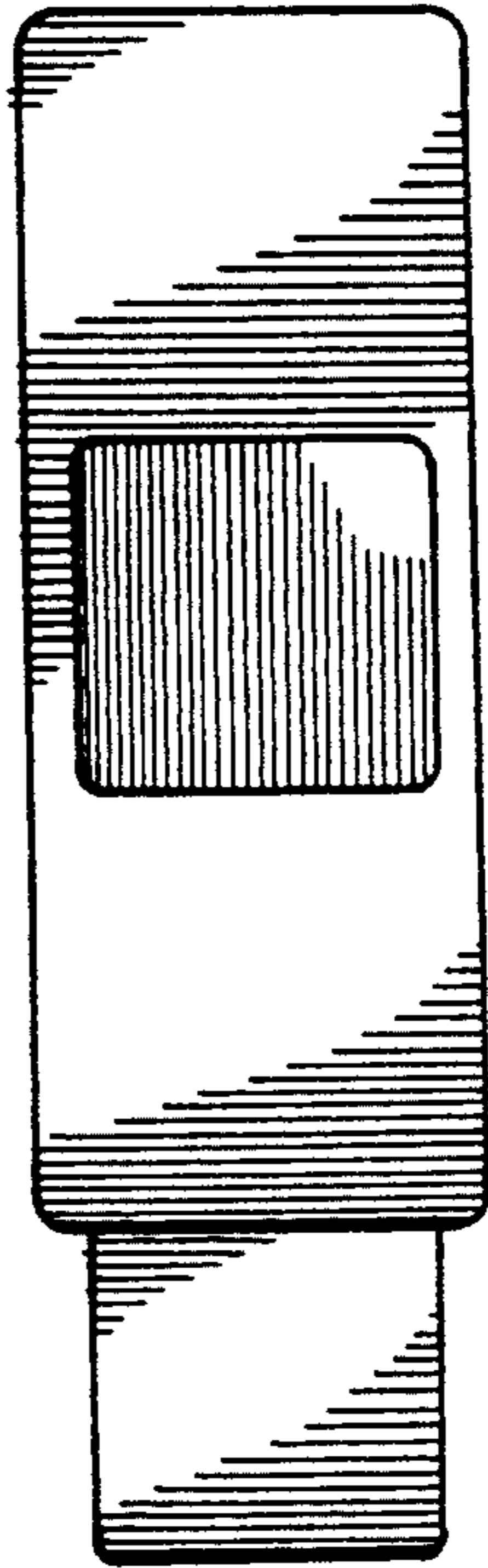


FIG. 7.