



US00D341780S

# United States Patent [19]

[11] Patent Number: **Des. 341,780**

Turner

[45] Date of Patent: **\*\* Nov. 30, 1993**

[54] **CONTAINER FOR AUTO BODY FILLER**

[75] Inventor: **Richard B. Turner**, East Hampstead, N.H.

[73] Assignee: **Marson Corporation**, Chelsea, Mass.

[\*\*] Term: **14 Years**

[21] Appl. No.: **762,953**

[22] Filed: **Sep. 19, 1991**

[52] U.S. Cl. .... **D9/520; D9/532; D9/524; D9/503; D9/506**

[58] Field of Search ..... **D23/202-205; D34/39; D32/53; D9/532, 536, 539, 500, 502-503, 549, 557-558, 520, 524, 506; 200/601, 610, 613**

[56] **References Cited**

**U.S. PATENT DOCUMENTS**

D. 220,316	3/1971	Bardell .....	D9/532
D. 220,847	6/1971	Holcroft .....	D9/532
D. 222,981	2/1972	Yakes, Jr. ....	D32/53
D. 288,139	2/1987	VanBerne et al. ....	D23/53
D. 312,157	11/1990	Sjolander .....	D32/53
D. 331,825	12/1992	Osgar et al. ....	D23/205 X
5,069,736	12/1991	Castle .....	220/561 X

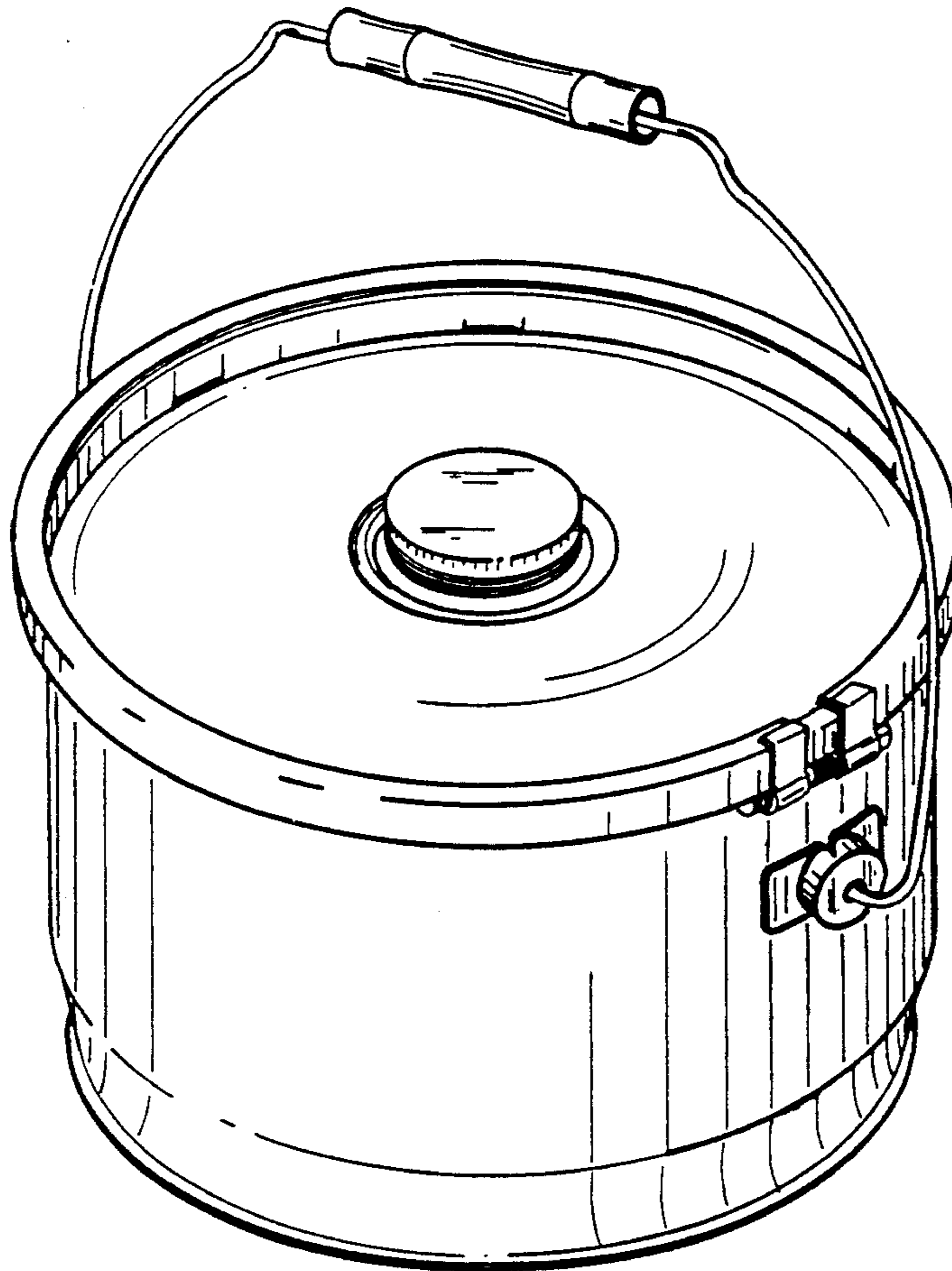
*Primary Examiner*—Wallace R. Burke  
*Assistant Examiner*—M. H. Tung  
*Attorney, Agent, or Firm*—Fish & Richardson

[57] **CLAIM**

The ornamental design for a container for auto body filler, as shown and described.

**DESCRIPTION**

FIG. 1 shows a top perspective view of a container for auto body filler;  
FIG. 2 shows a top view of a container for auto body filler;  
FIG. 3 shows a bottom perspective view of a container for auto body filler;  
FIG. 4 shows a bottom view of a container for auto body filler;  
FIG. 5 shows a front view of a container for auto body filler;  
FIG. 6 shows a rear view of a container for auto body filler;  
FIG. 7 shows a first side view of a container for auto body filler; and,  
FIG. 8 shows a second side view of a container for auto body filler.



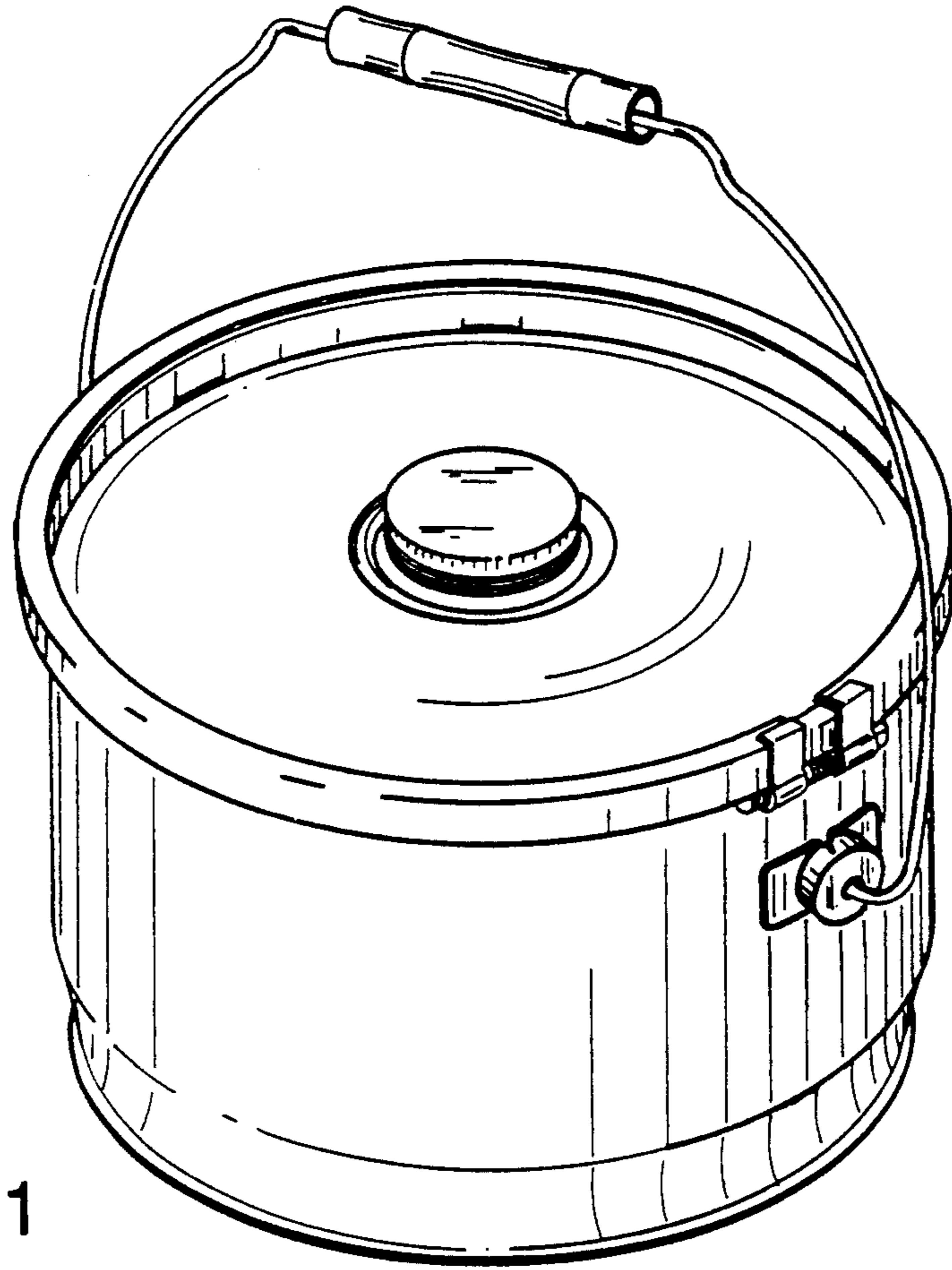


FIG. 1

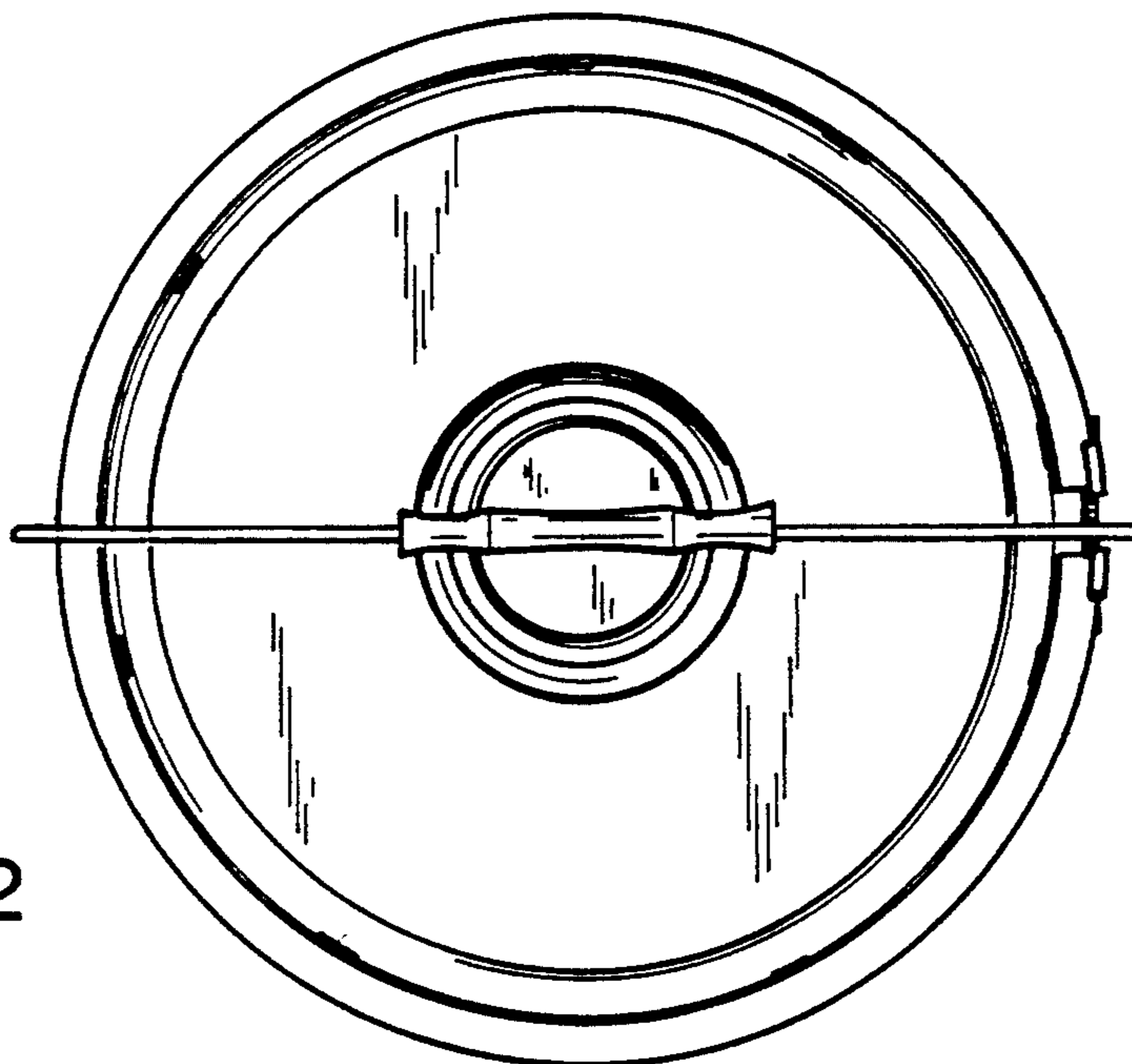


FIG. 2

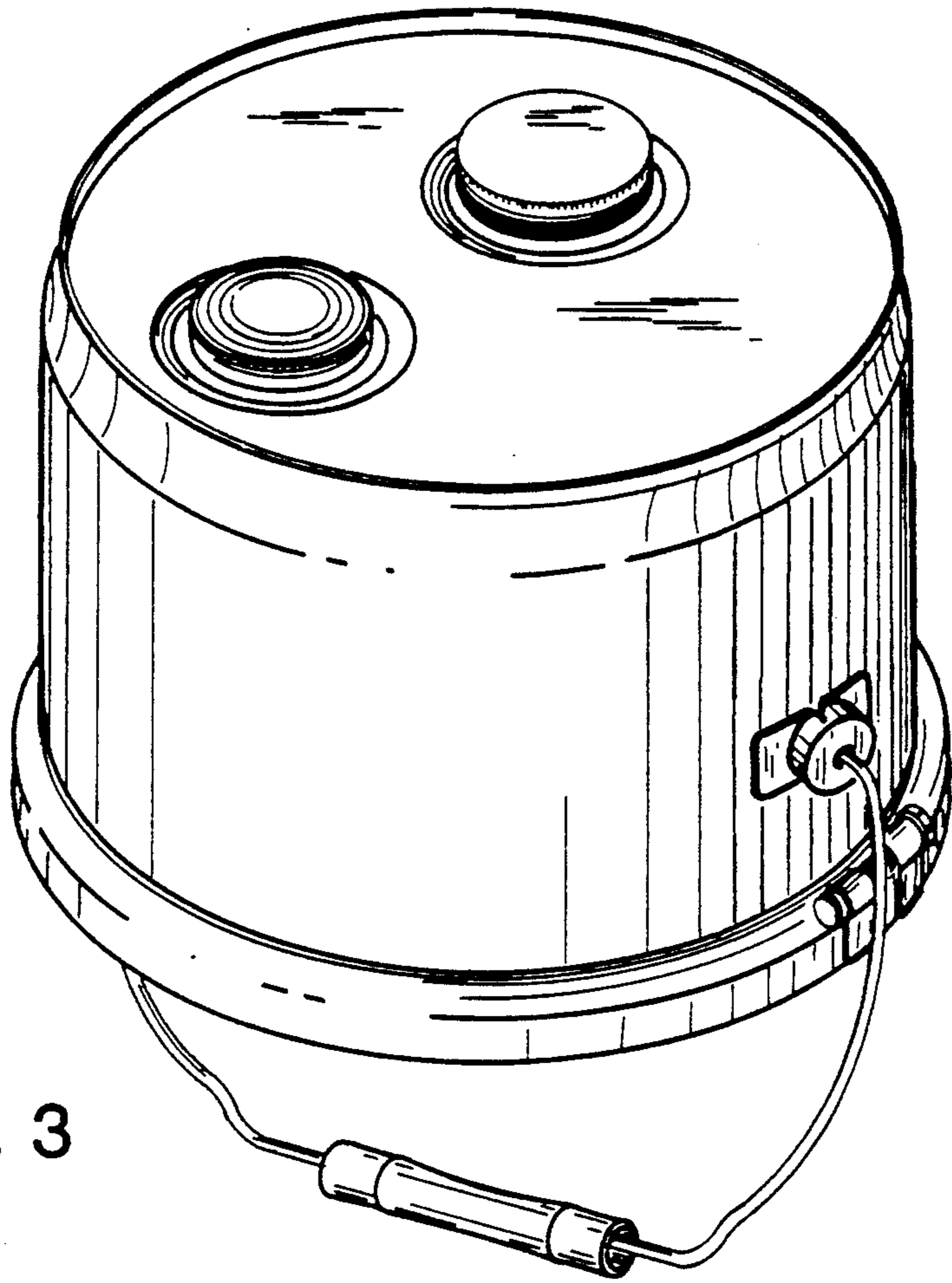


FIG. 3

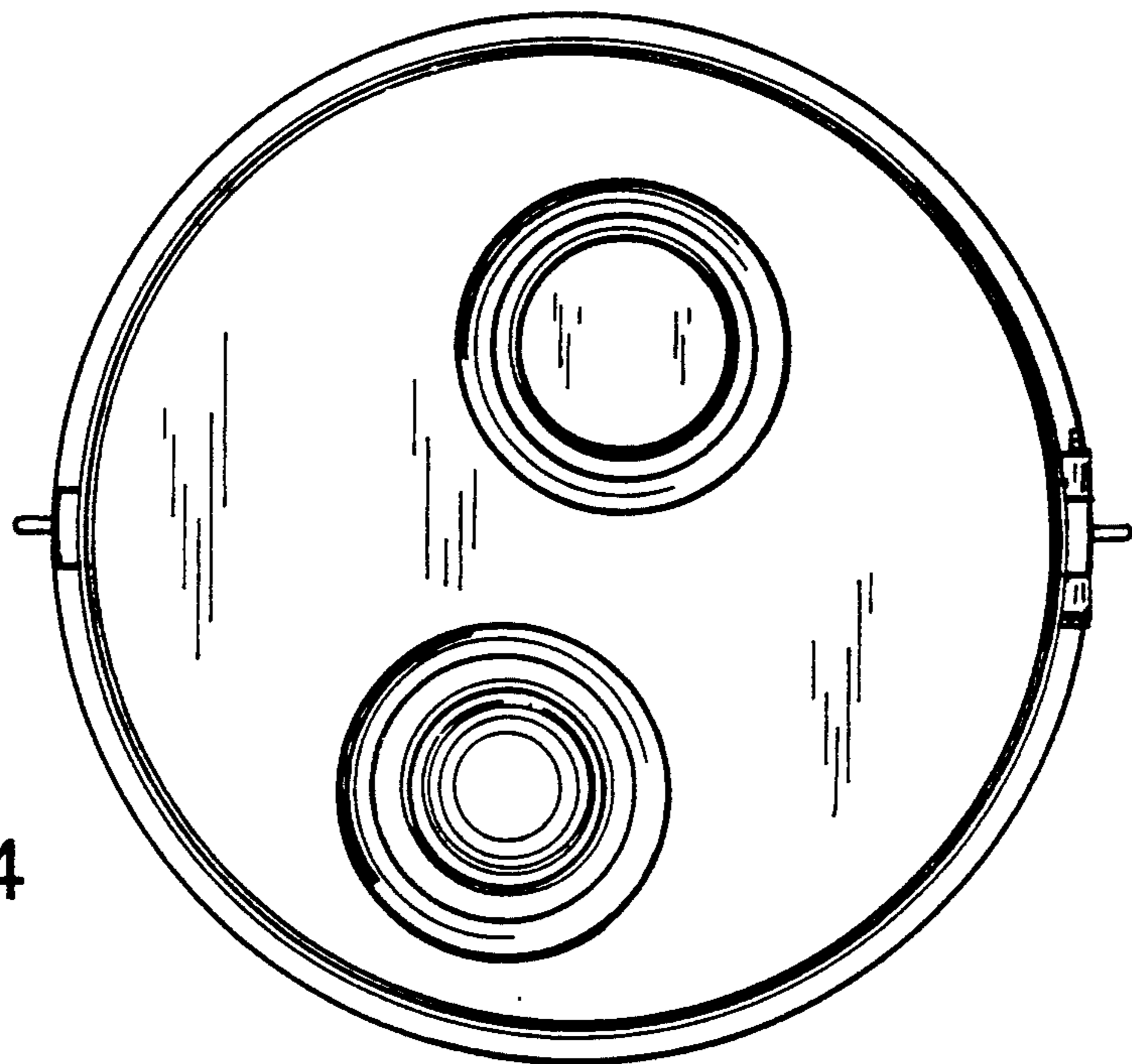


FIG. 4

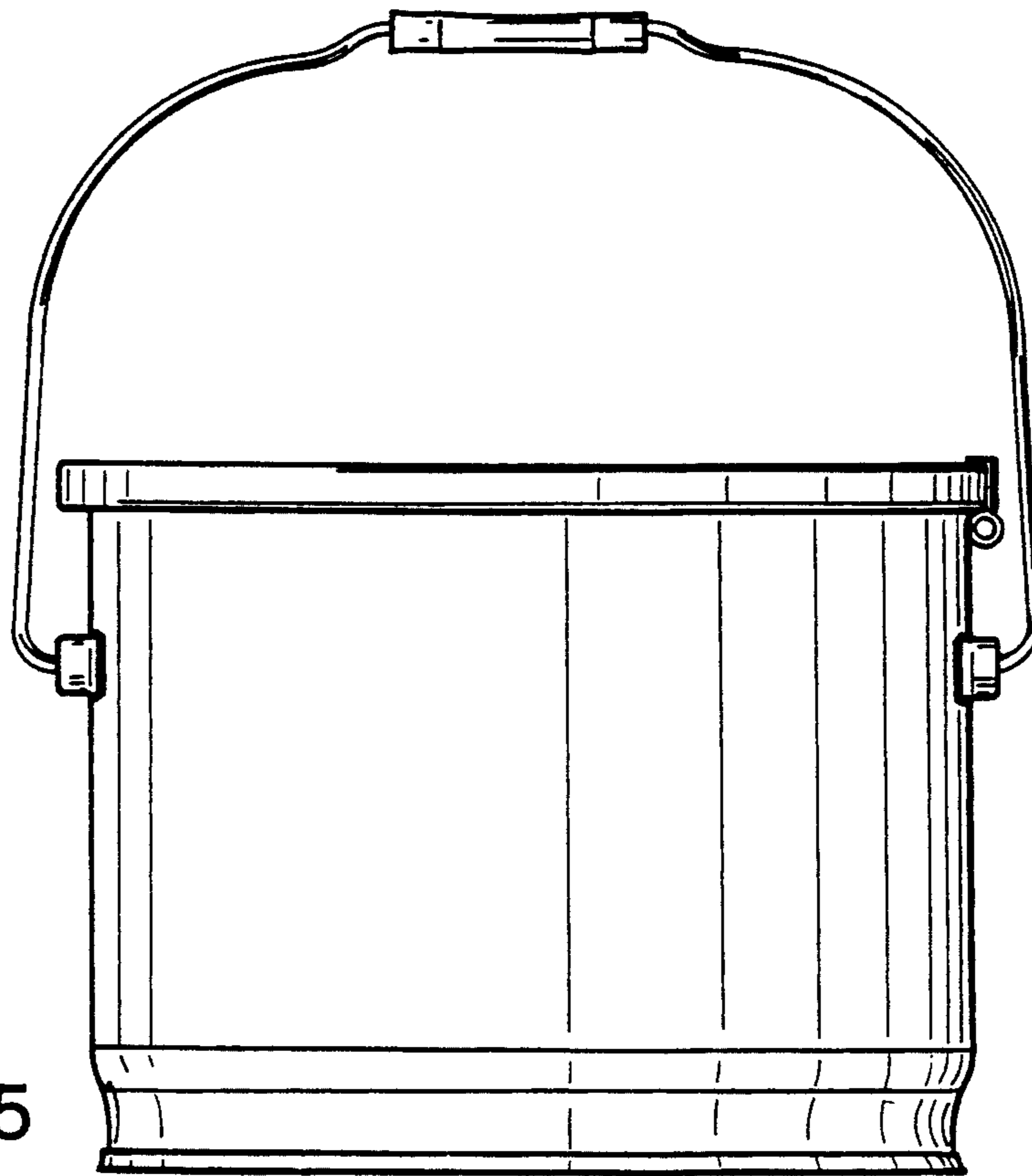


FIG. 5

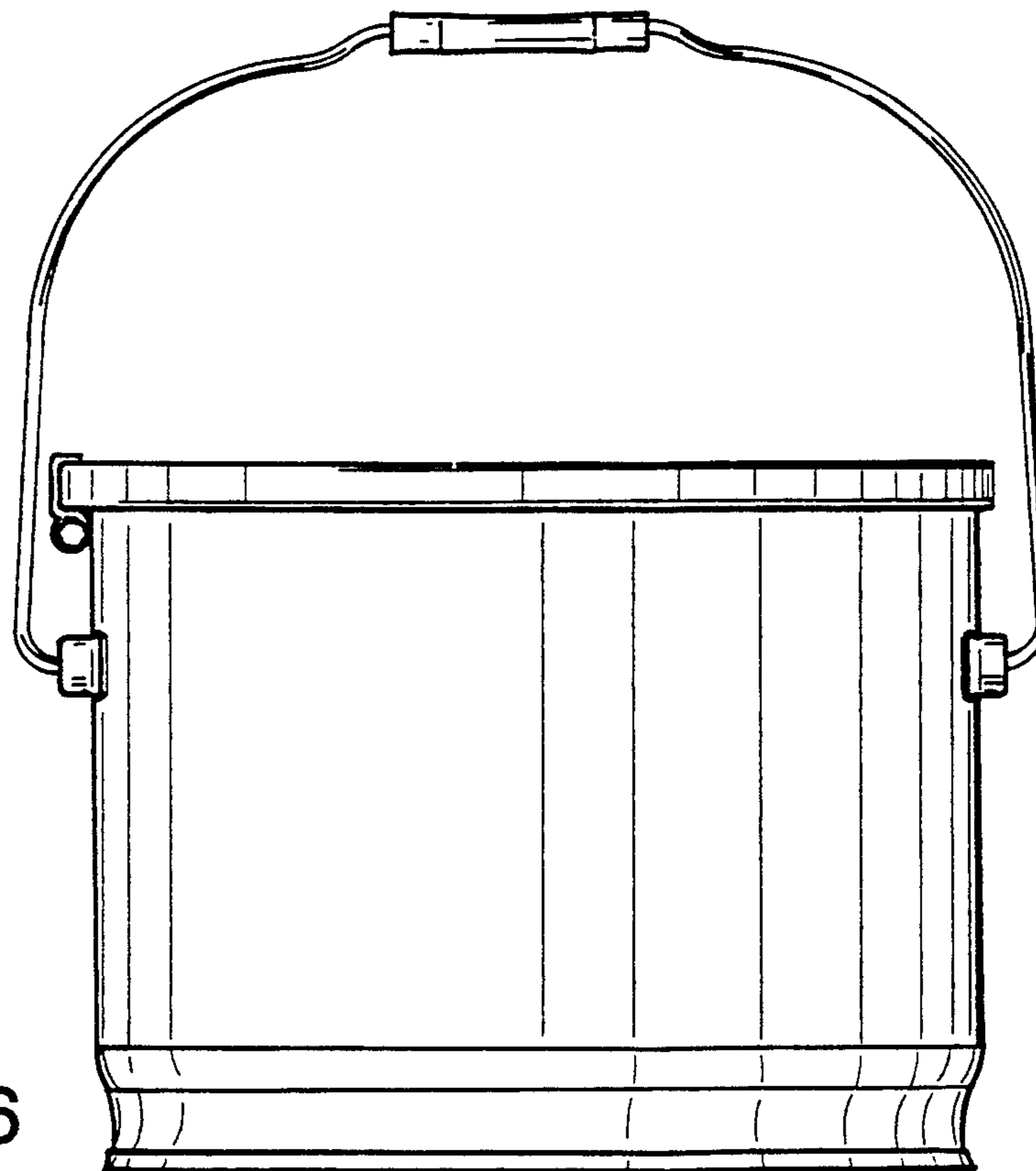


FIG. 6

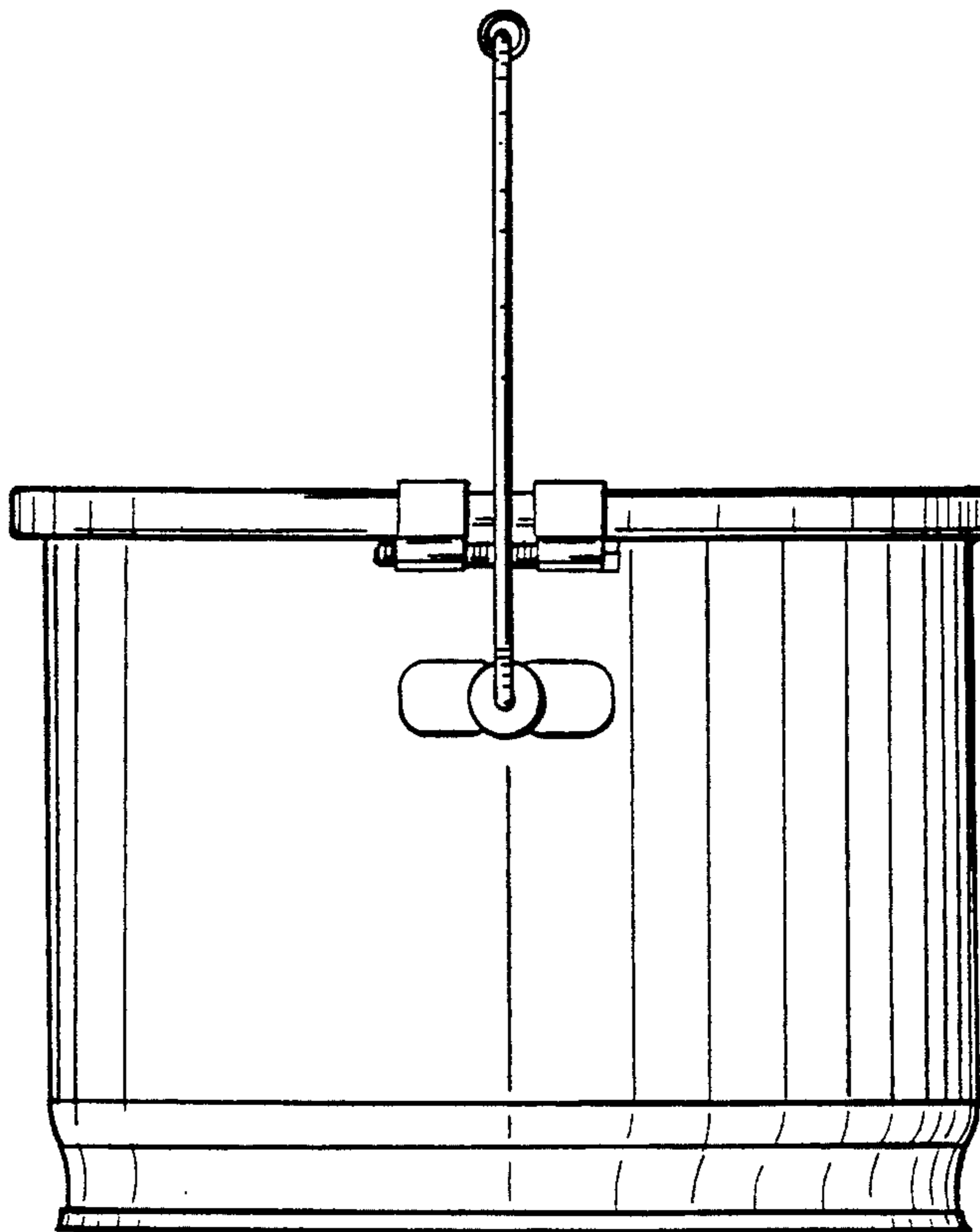


FIG. 7

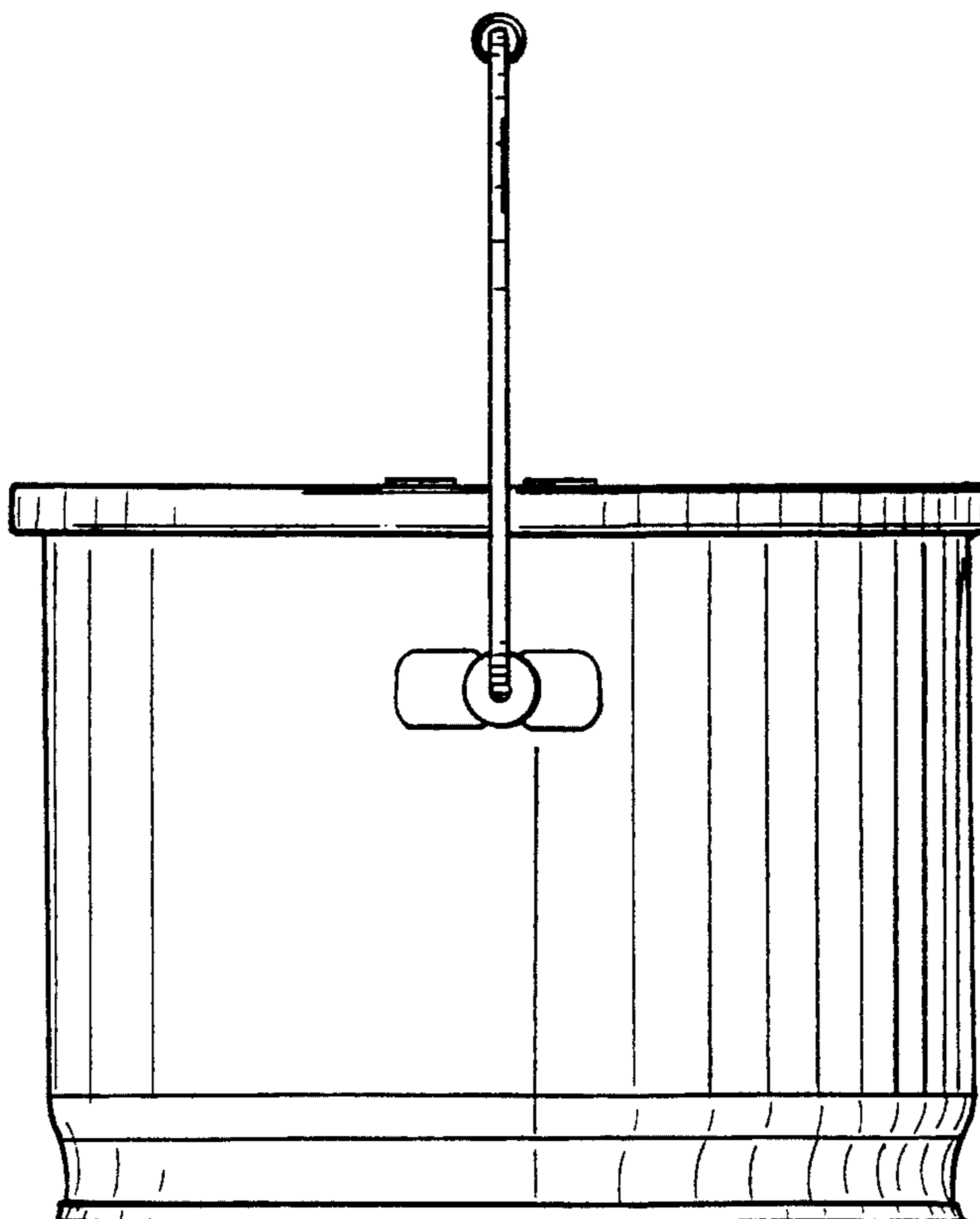


FIG. 8