



US00D341777S

United States Patent [19]

[11] Patent Number: **Des. 341,777**

Sheu

[45] Date of Patent: **** Nov. 30, 1993**

[54] PACKAGE FOR WRENCH SOCKETS

4,449,630	5/1984	Filhol	206/533 X
4,905,829	3/1990	Stribiak	206/349
5,018,622	5/1991	Hartley	206/461 X

[75] Inventor: **Steve Sheu, Taipei, Taiwan**

[73] Assignee: **Royal United International Corp., Taipei, Taiwan**

Primary Examiner—Prabhakar G. Deshmukh
Attorney, Agent, or Firm—Knobbe, Martens, Olson & Bear

[**] Term: **14 Years**

[57] **CLAIM**

[21] Appl. No.: **852,107**

The ornamental design for package for wrench sockets, as shown and described.

[22] Filed: **Mar. 16, 1992**

[52] U.S. Cl. **D9/415; D9/341**

DESCRIPTION

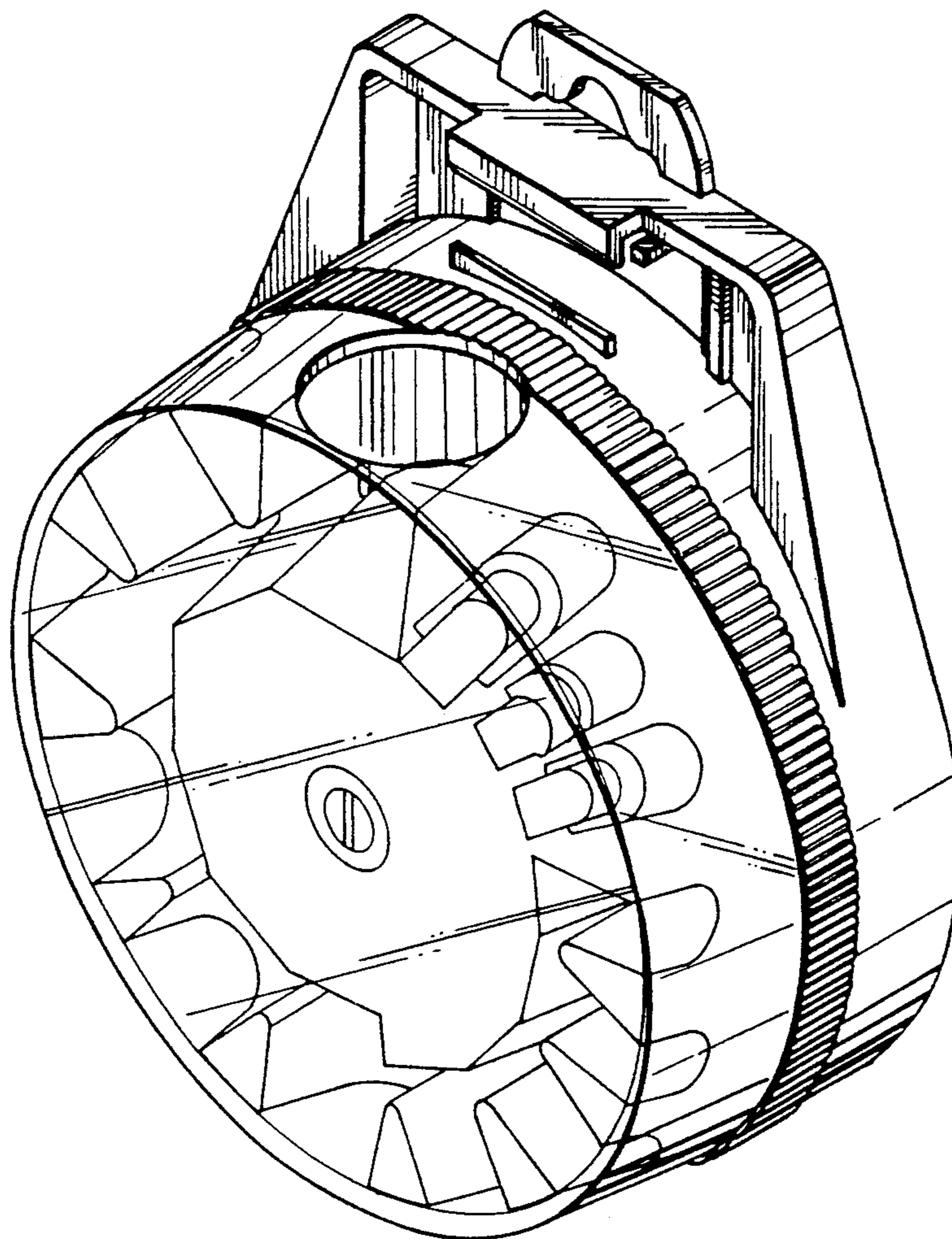
[58] Field of Search **D9/415, 418, 337, 341, D9/528; D3/30.1, 105; 206/461-471, 45.34, 234, 376-379, 389, 390, 391, 533, 349, 806; 312/DIG. 33**

FIG. 1 is a perspective view of package for wrench sockets showing my new design;
FIG. 2 is a front elevational view thereof;
FIG. 3 is a rear elevational view thereof;
FIG. 4 is a left side view thereof;
FIG. 5 is a right side view thereof;
FIG. 6 is a top plan view thereof;
FIG. 7 is a bottom plan view thereof; and,
FIG. 8 is a perspective view showing the article in use. The broken line showing of the wrench and the sockets is for illustrative purposes only and forms no part of the claim.

[56] **References Cited**

U.S. PATENT DOCUMENTS

D. 316,669	5/1991	Young	D9/418 X
D. 319,578	9/1991	Chen	D3/30.1 X
D. 327,982	7/1992	Williams	D9/415 X
D. 332,398	1/1993	Lee et al.	D9/415
3,138,432	6/1964	Kleinhans	206/806 X
4,269,311	5/1981	Rich	206/234



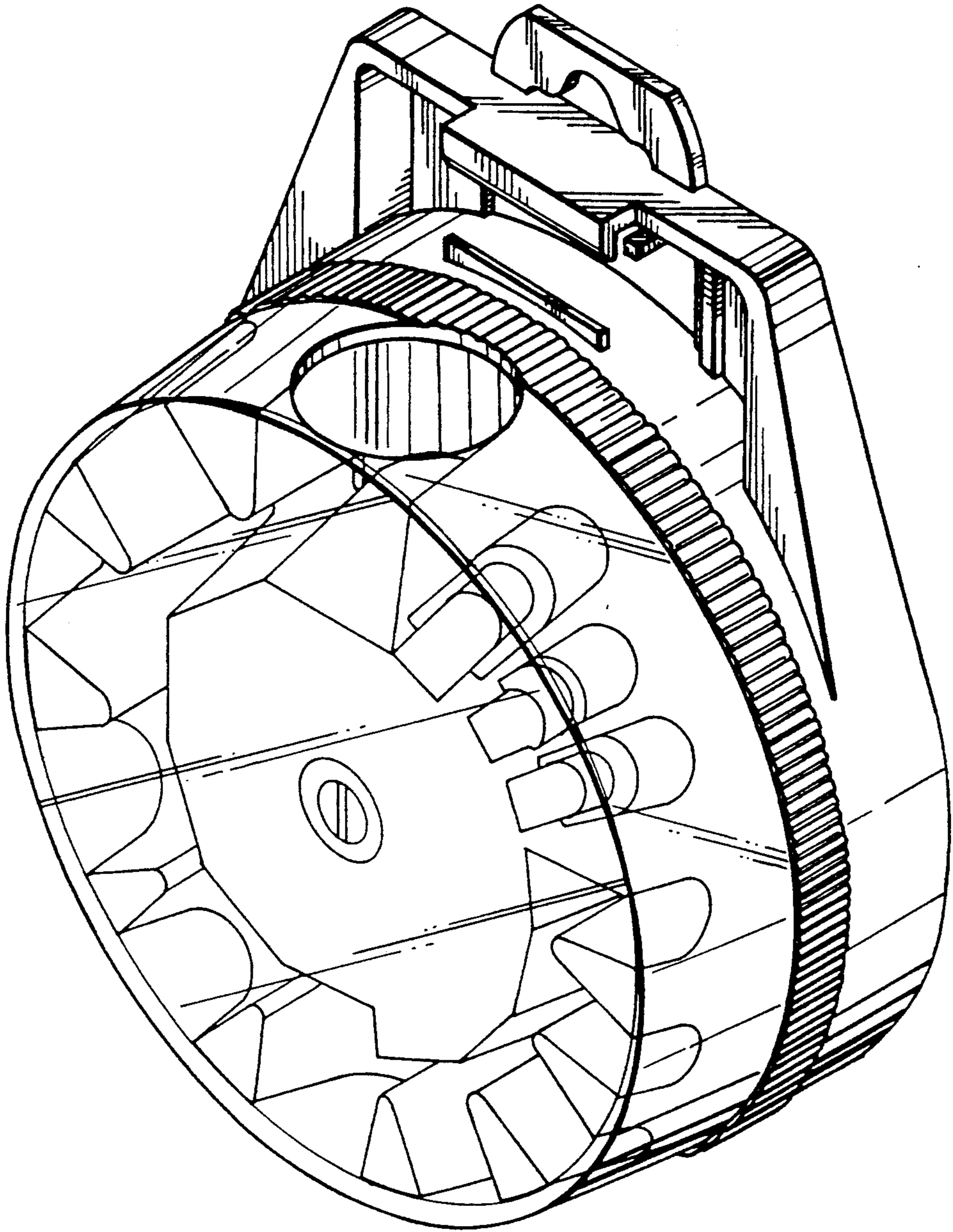


FIG. 1

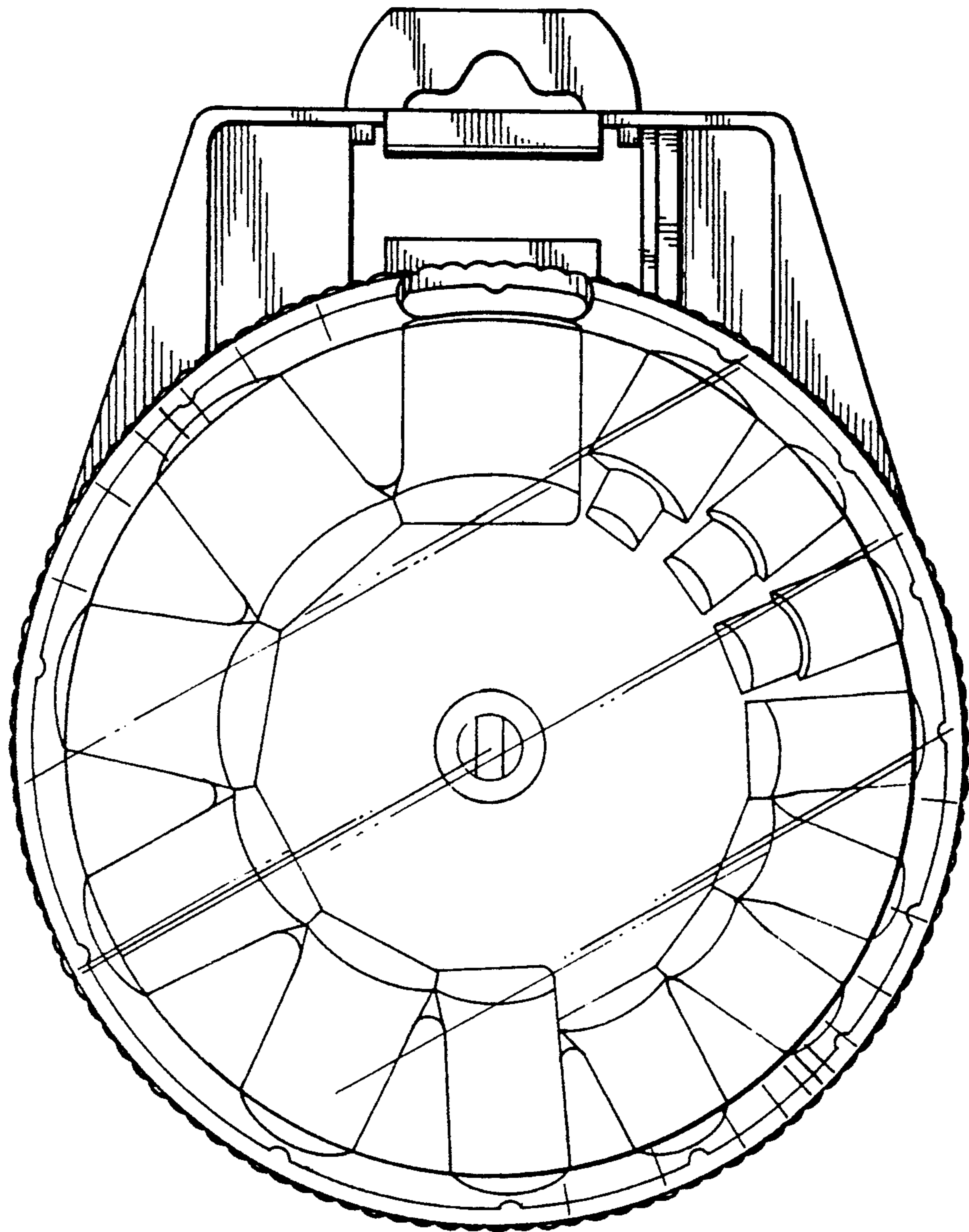


FIG. 2

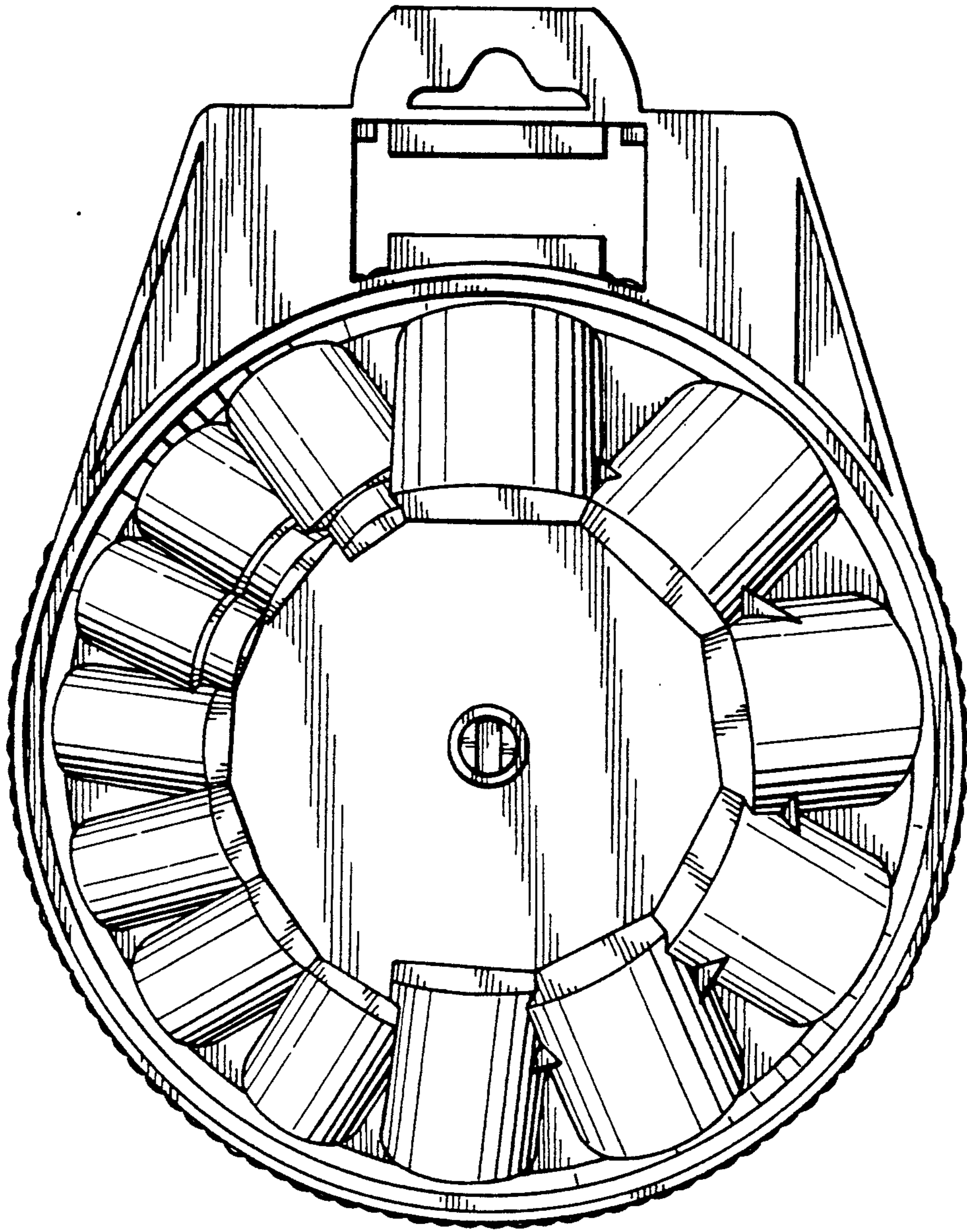


FIG. 3

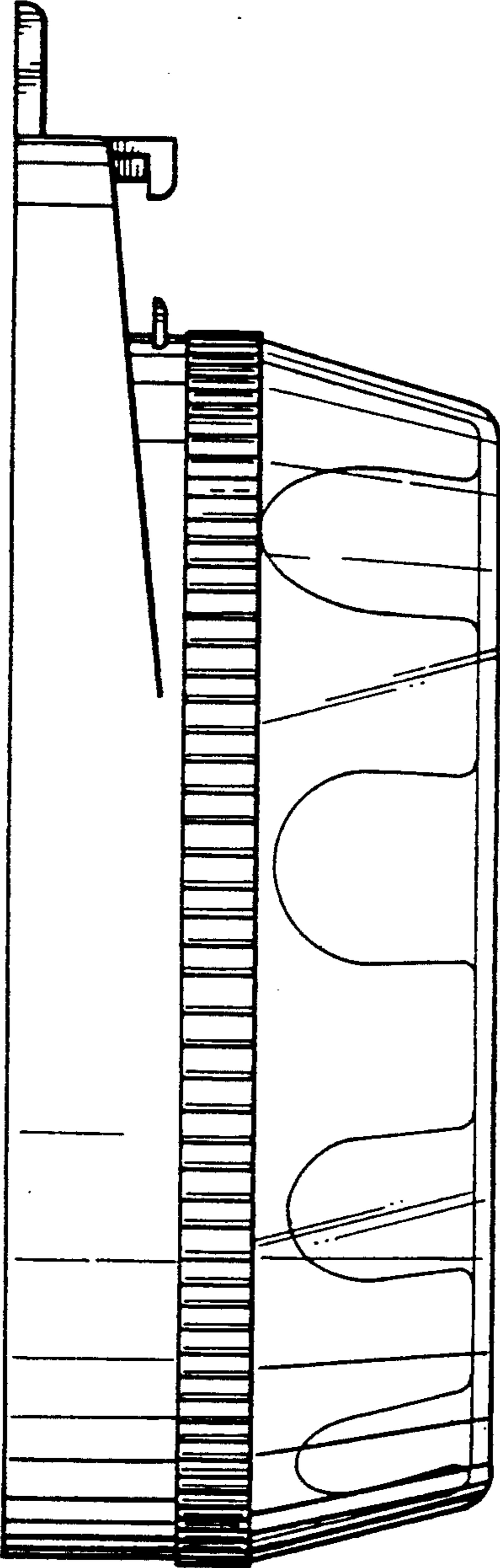


FIG. 4

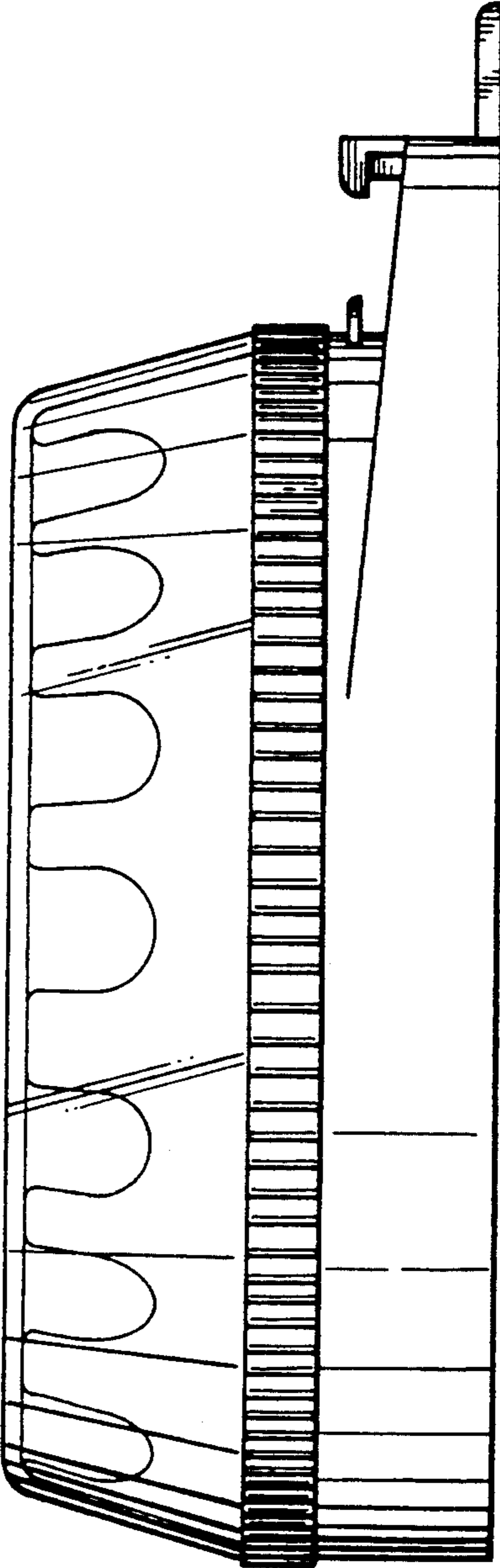


FIG. 5

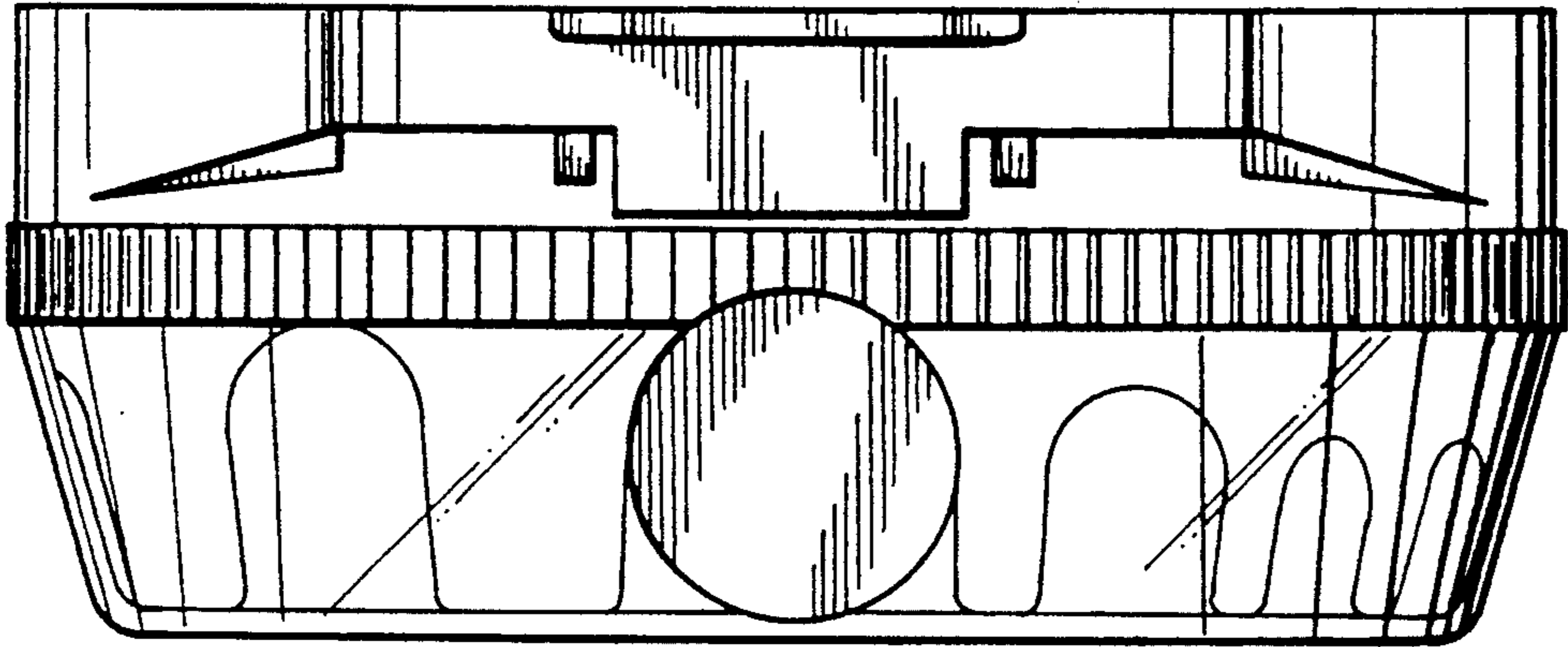


FIG. 6

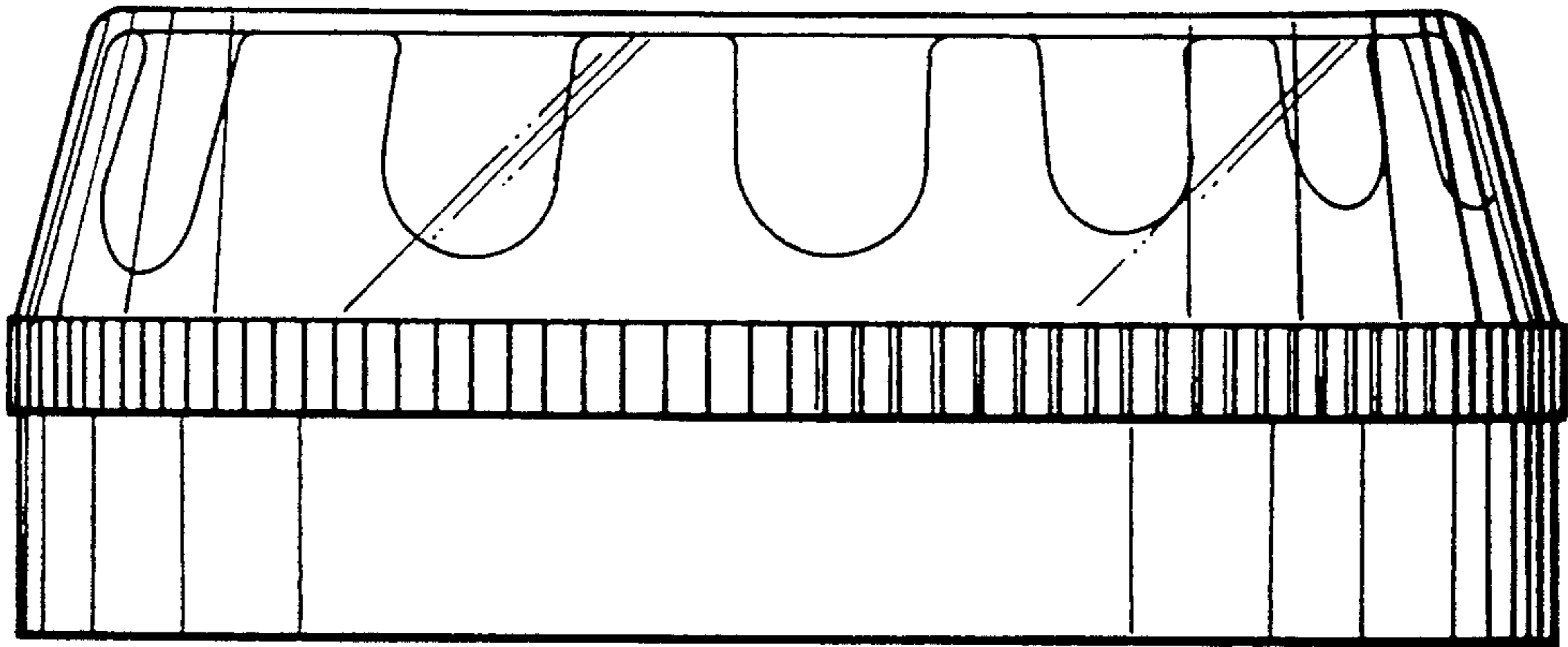


FIG. 7

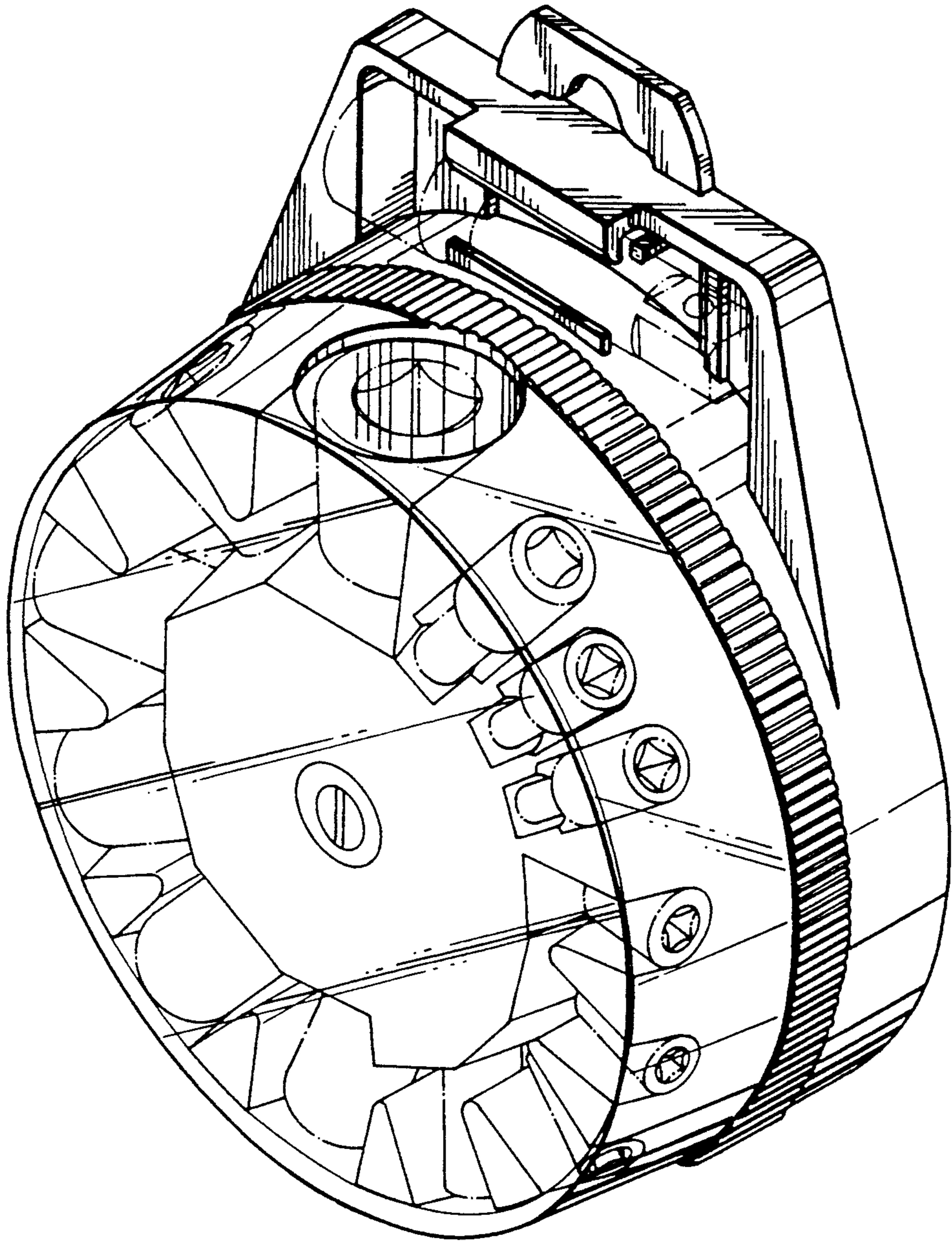


FIG. 8