



US00D341770S

United States Patent [19]

[11] Patent Number: **Des. 341,770**

Spear et al.

[45] Date of Patent: **** Nov. 30, 1993**

[54] WALL SUPPORTED HOSE REEL

4,580,243	4/1986	Bauer	242/118.8 X
5,106,031	4/1992	Sanda et al.	242/118.8 X
5,215,279	6/1993	Foit	242/117

[75] Inventors: **Kenneth J. Spear, Vienna, Va.;**
Ronald R. Fowler, Coolville, Ohio

[73] Assignee: **O. Ames Co., Parkersburg, W. Va.**

[**] Term: **14 Years**

[21] Appl. No.: **892,348**

[22] Filed: **Jun. 2, 1992**

[52] U.S. Cl. **D8/359**

[58] Field of Search **D8/358-359;**
242/118.7-118.8, 86, 115, 71.9, 77.3, 117;
239/195

OTHER PUBLICATIONS

Brookstone Yard & Garden p. 26, Spring 1985, hose reel, located at top of page.

Primary Examiner—Wallace R. Burke

Assistant Examiner—H. Baynham

Attorney, Agent, or Firm—Cushman, Darby & Cushman

[57] CLAIM

The ornamental design for a wall supported hose reel, as shown and described.

DESCRIPTION

FIG. 1 is a perspective view of a wall supported hose reel showing our new design looking down from the right side of the hose reel;

FIG. 2 is a front elevational view thereof;

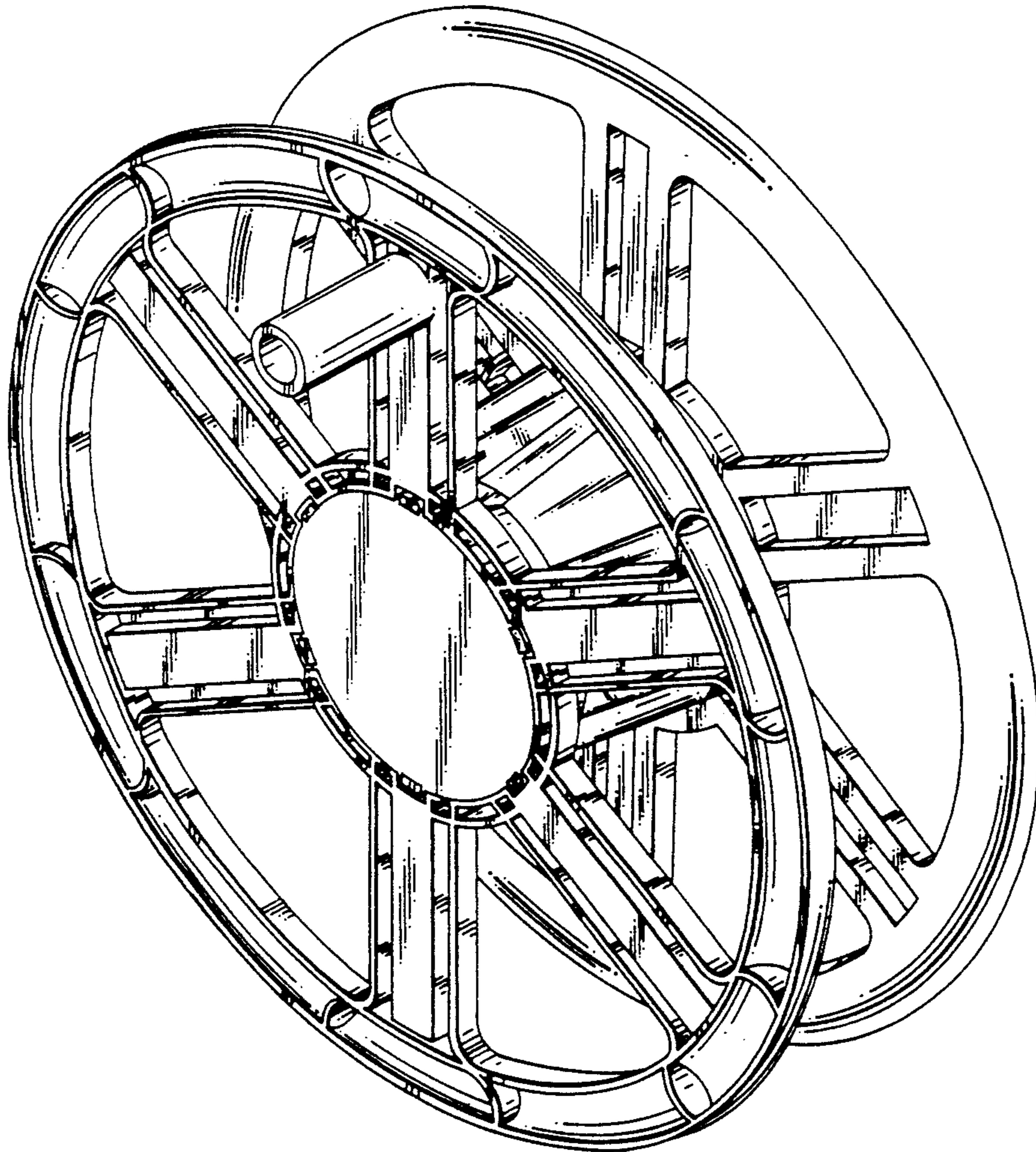
FIG. 3 is a top plan view thereof, the bottom plan view being identical thereto; and,

FIG. 4 is a left side elevational view thereof, the right side elevational view being a mirror image thereof.

[56] References Cited

U.S. PATENT DOCUMENTS

D. 240,192	6/1976	Balmer, Jr.	D8/358 X
D. 277,260	1/1985	Dickens	D8/358
D. 281,482	11/1985	Suzuki	D8/358
D. 317,113	5/1991	Fonler	D8/358
3,680,809	8/1972	Bladamer	242/118.7 X
3,743,208	3/1973	Schmitz	242/118.8 X



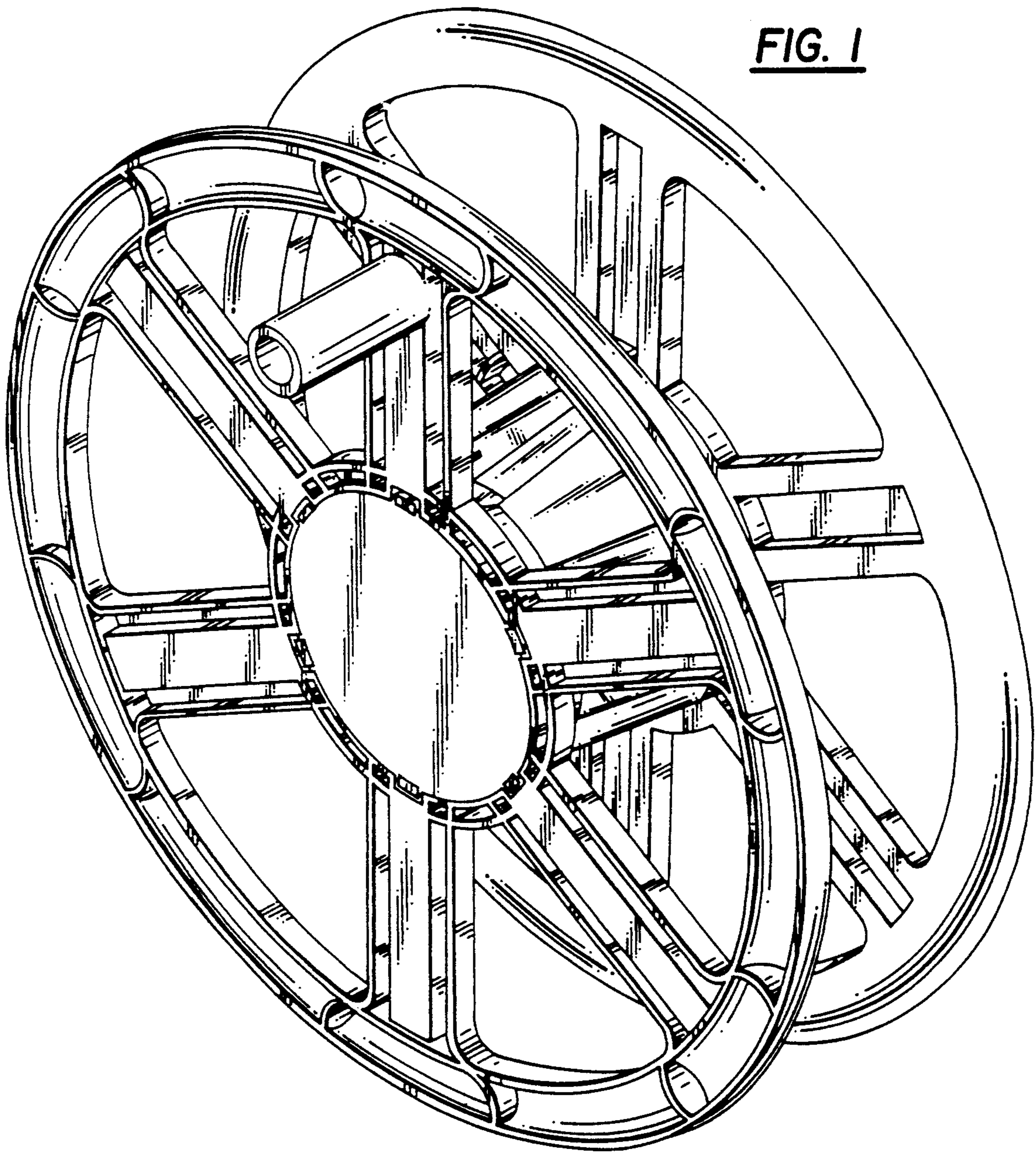
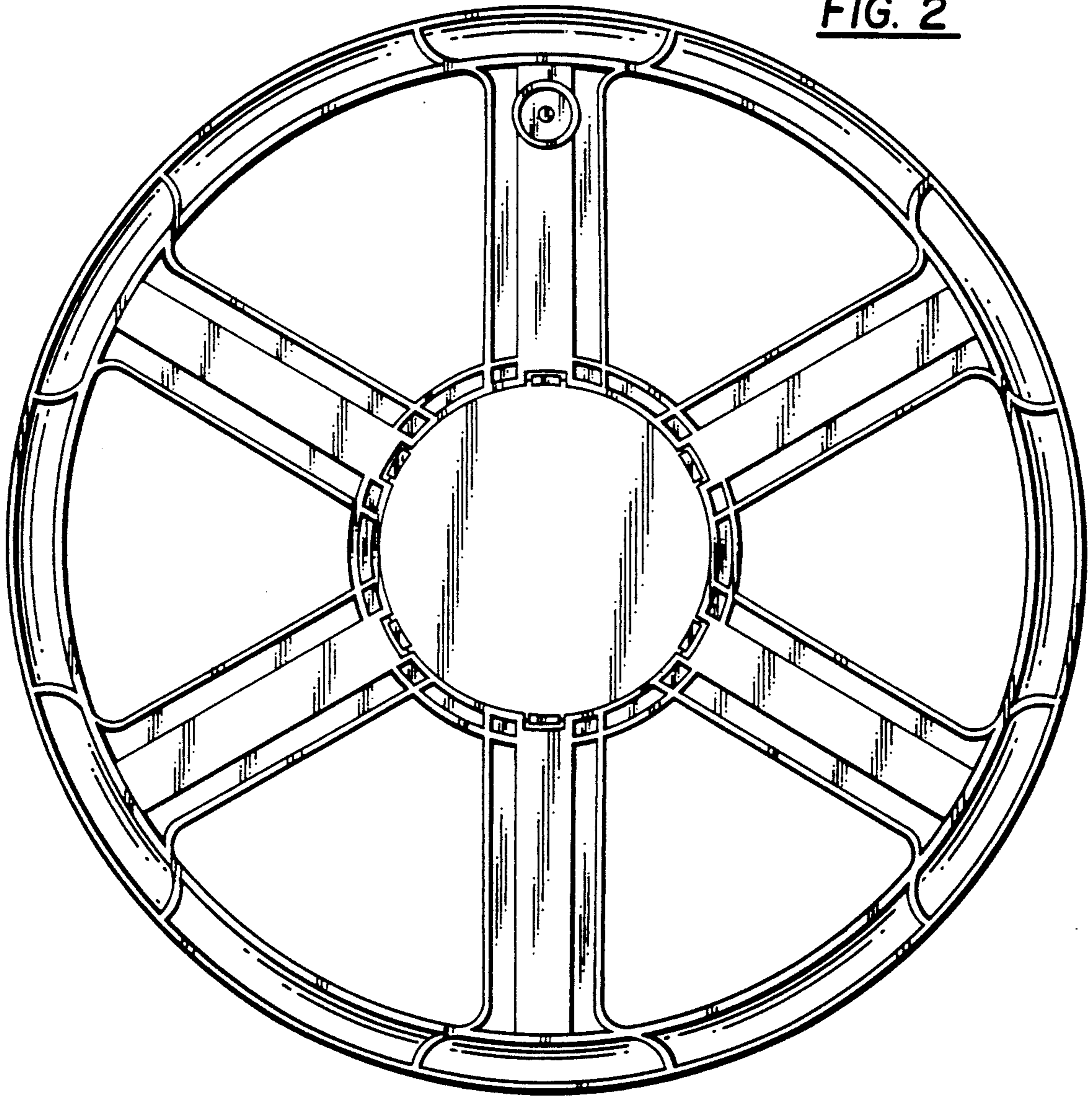


FIG. 1

FIG. 2



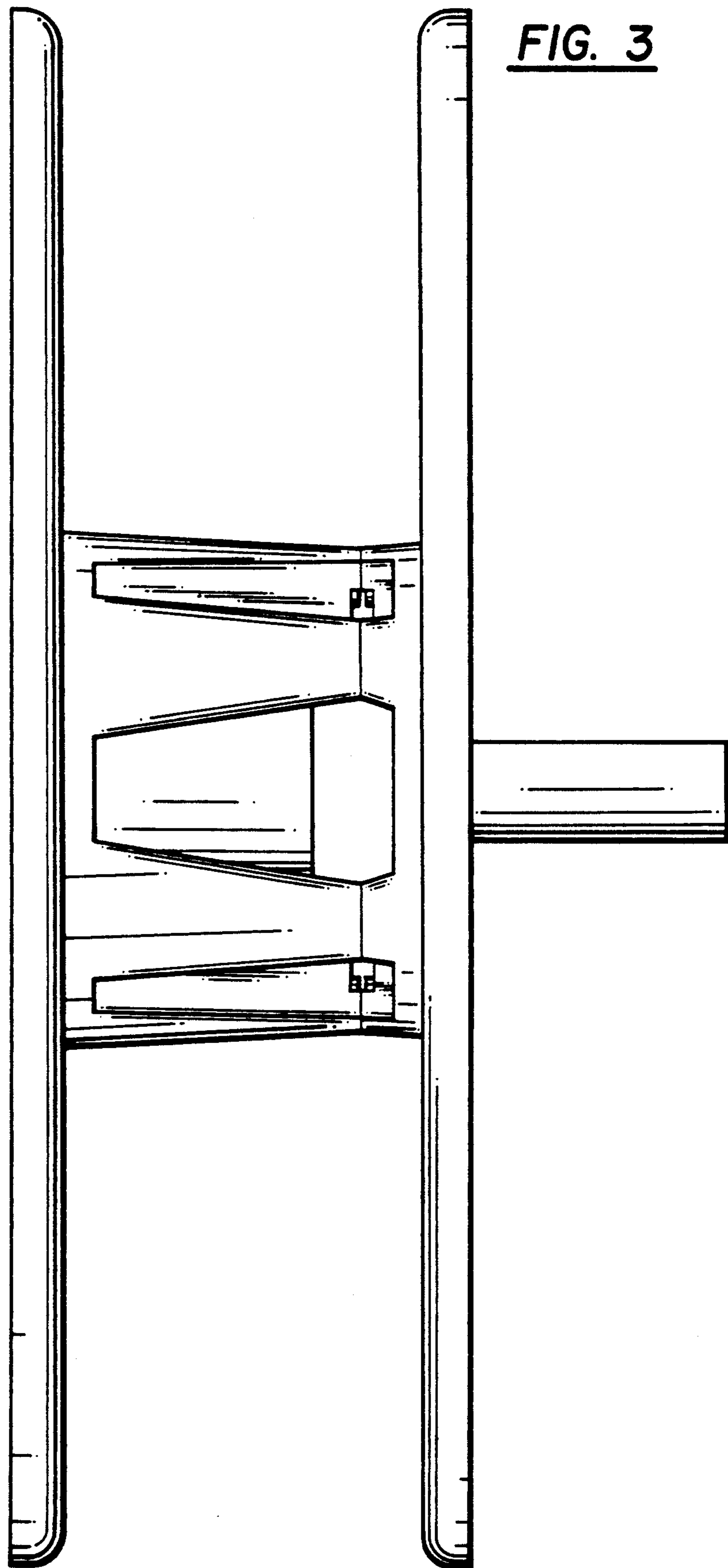


FIG. 3

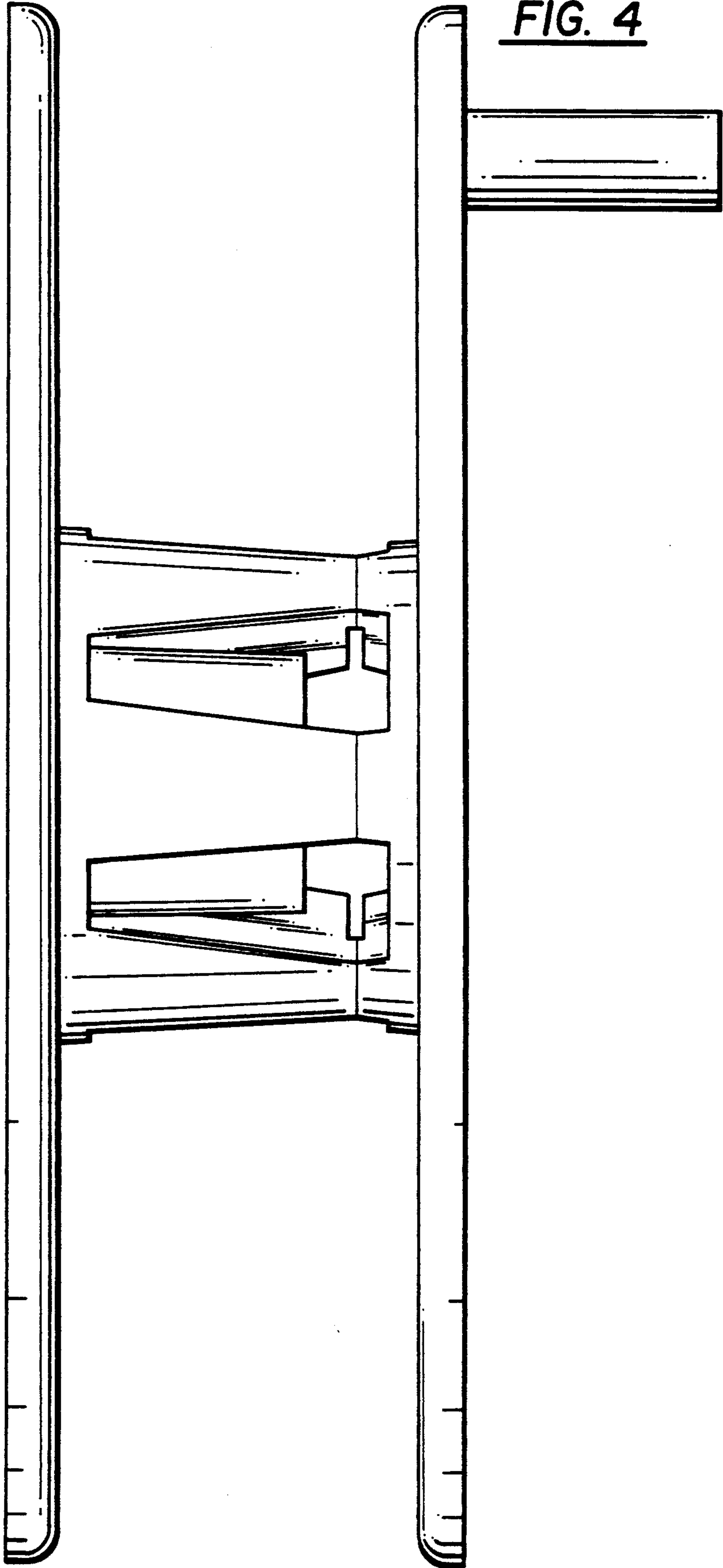


FIG. 4