



US00D341768S

United States Patent [19]

[11] Patent Number: **Des. 341,768**

Spear et al.

[45] Date of Patent: **** Nov. 30, 1993**

[54] **WALL SUPPORT FOR A HOSE REEL**

[75] Inventors: **Kenneth J. Spear**, Vienna, Va.;
Ronald R. Fowler, Coolvile, Ohio

[73] Assignee: **O. Ames Co.**, Parkersburg, W. Va.

[**] Term: **14 Years**

[21] Appl. No.: **892,346**

[22] Filed: **Jun. 2, 1992**

[52] U.S. Cl. **D8/358; D8/373**

[58] Field of Search **D8/358-359,**
D8/373; 242/86, 86.2, 99; 131/355.27

[56] **References Cited**

U.S. PATENT DOCUMENTS

4,700,737 10/1987 Nelson 242/86.2 X
5,060,882 10/1991 Rousculp et al. 242/99

OTHER PUBLICATIONS

Suncrest Catalog 1987, no page number, wall support for Hose reel circled item at bottom of page.

The Alsto Company Catalog, Jan. 1989, p. 20, hose reel mount located in center of page.
Brookstone Yard & Garden p. 26, Spring 1985, hose reel mount, circled item at top of page.

Primary Examiner—Wallace R. Burke
Assistant Examiner—H. Baynham
Attorney, Agent, or Firm—Cushman, Darby & Cushman

[57] **CLAIM**

The ornamental design for a wall support for a hose reel, as shown and described.

DESCRIPTION

FIG. 1 is a perspective view of a wall support for a hose reel showing our new design looking down from the right side of the wall support;
FIG. 2 is a front elevational view thereof;
FIG. 3 is a top plan view thereof;
FIG. 4 is a bottom plan view thereof;
FIG. 5 is a right side elevational view thereof; and,
FIG. 6 is a left side elevational view thereof.

The undisclosed rear, which is hidden in normal use, is unornamented.

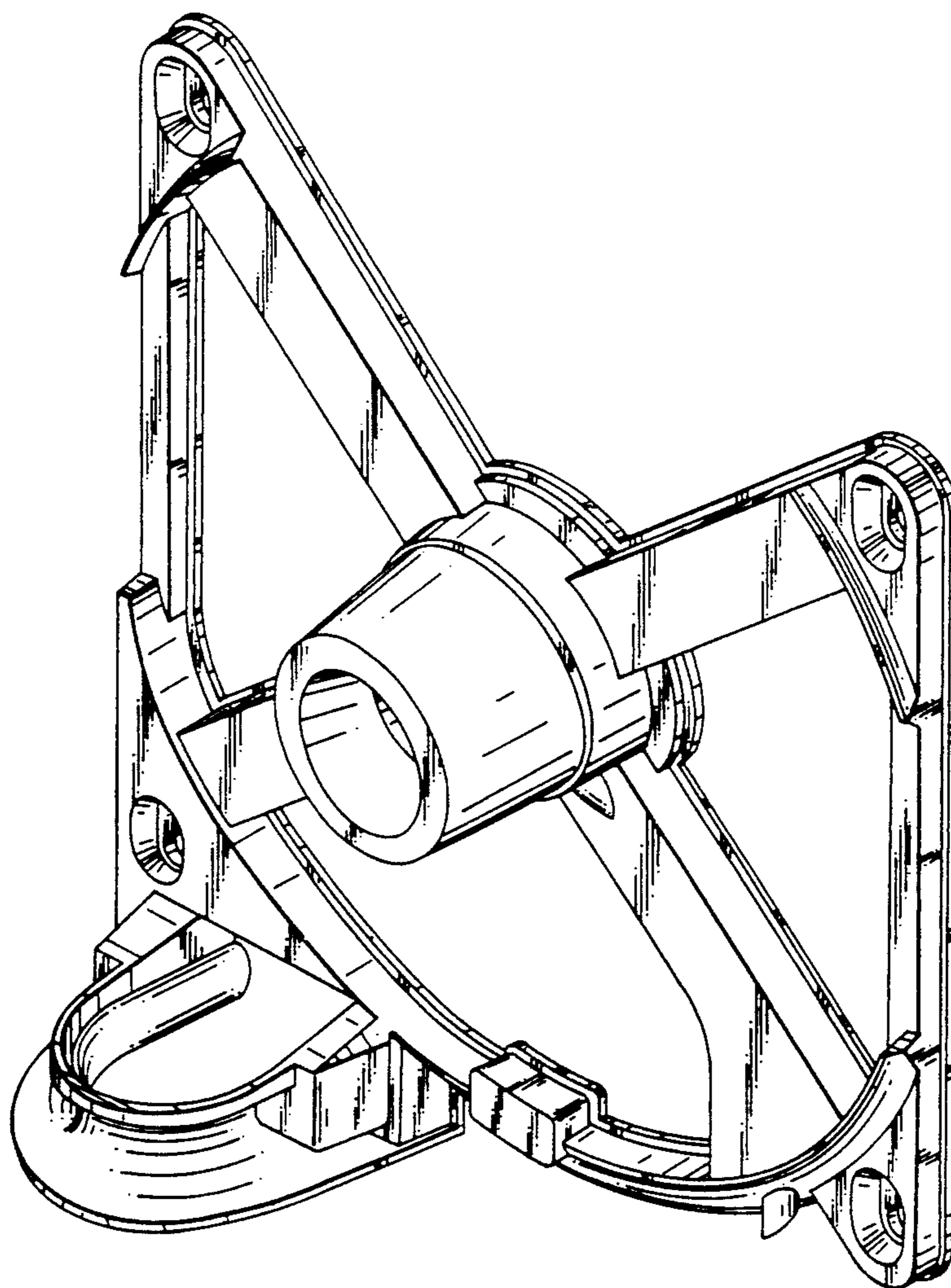


FIG. 1

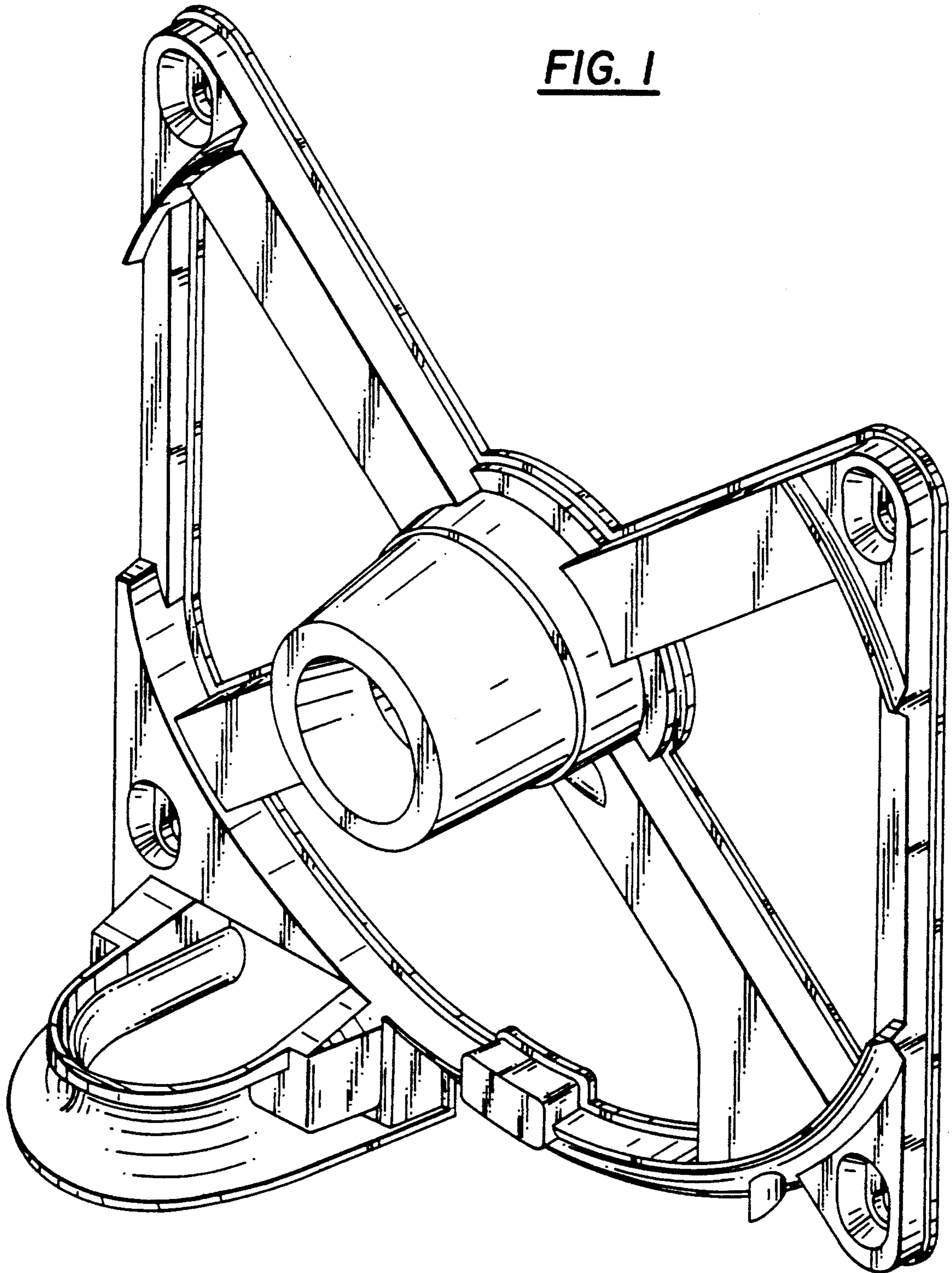
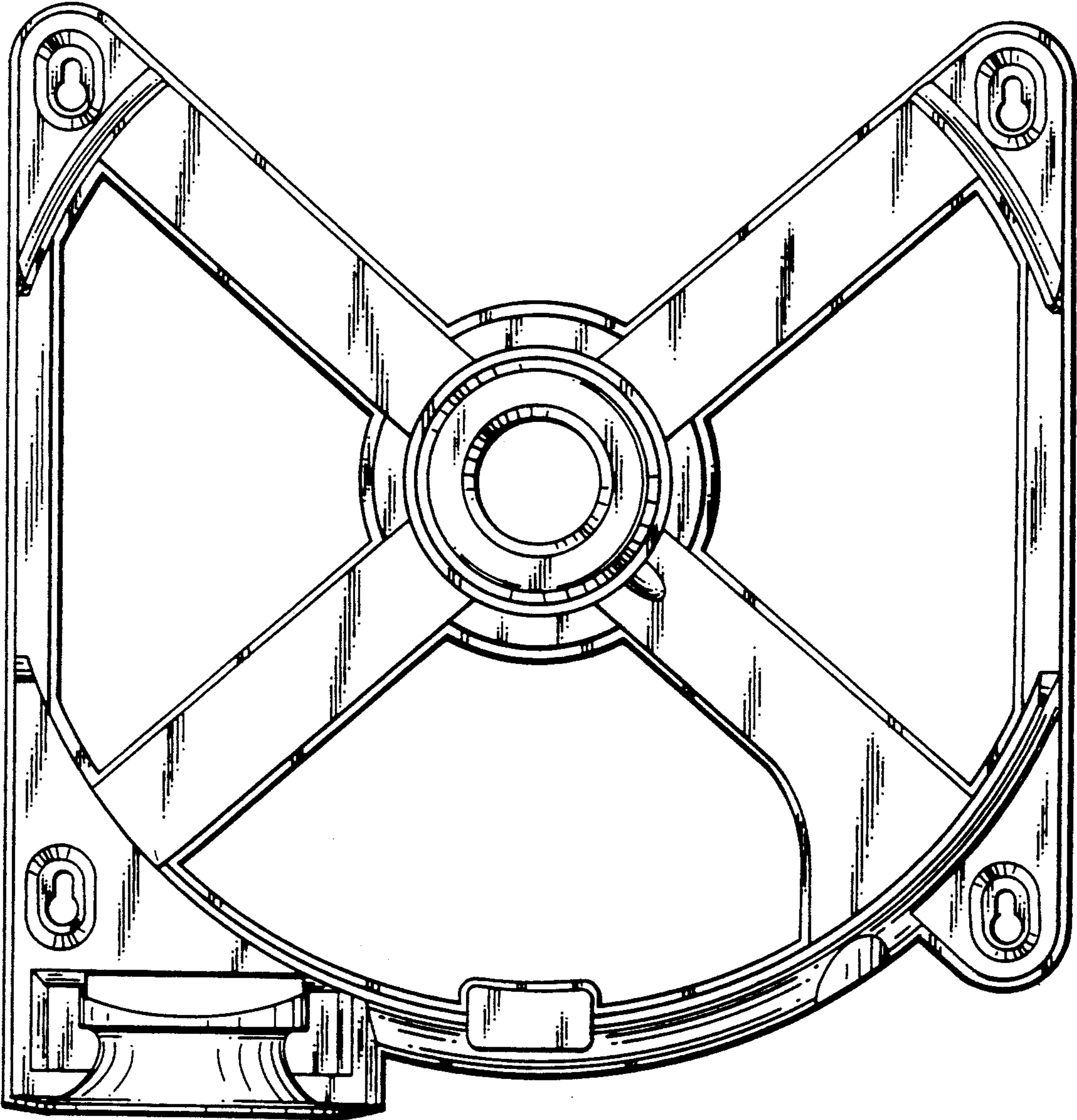


FIG. 2



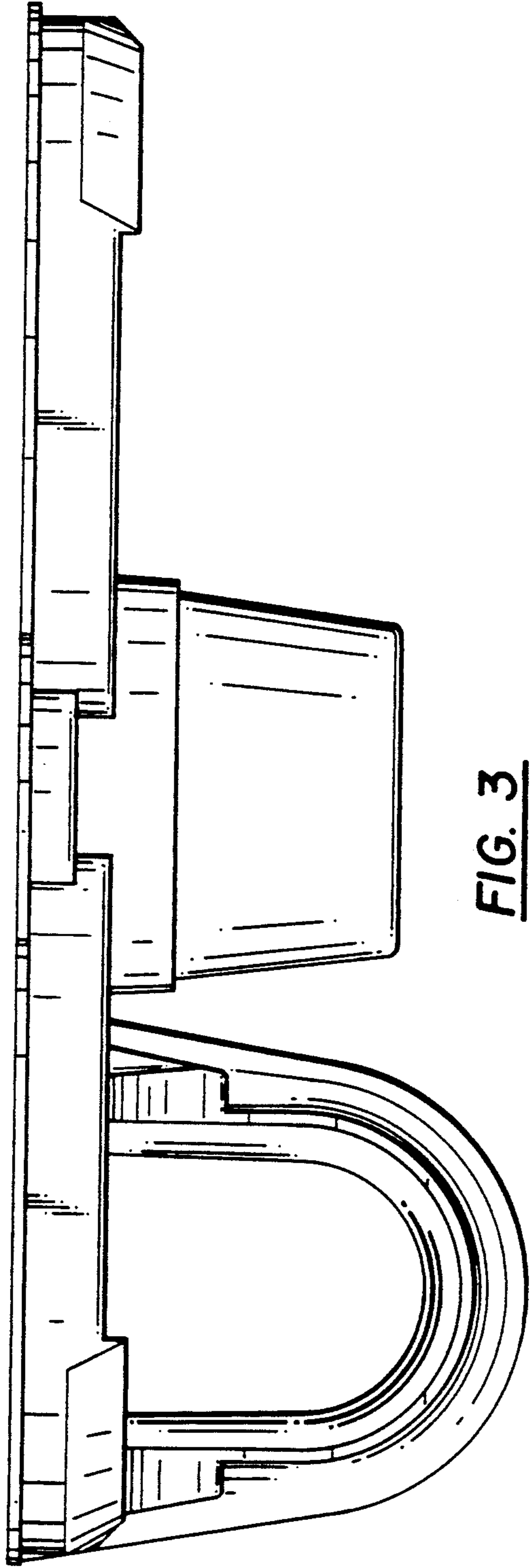


FIG. 3

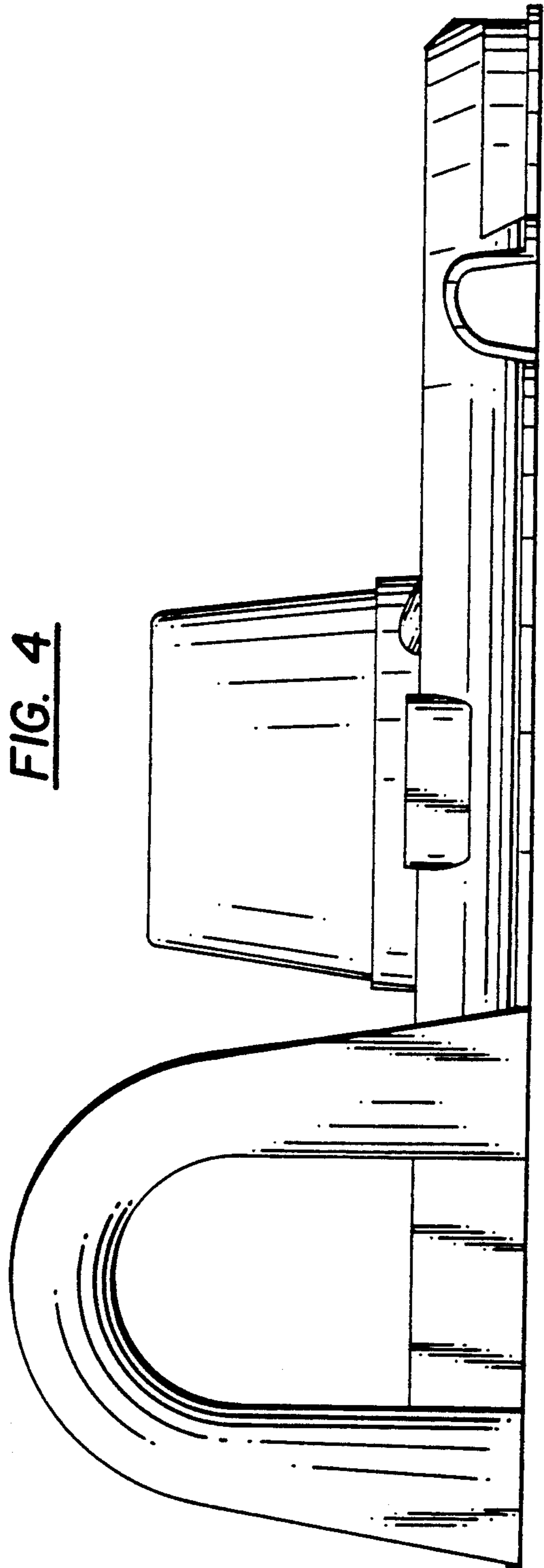


FIG. 4

FIG. 5

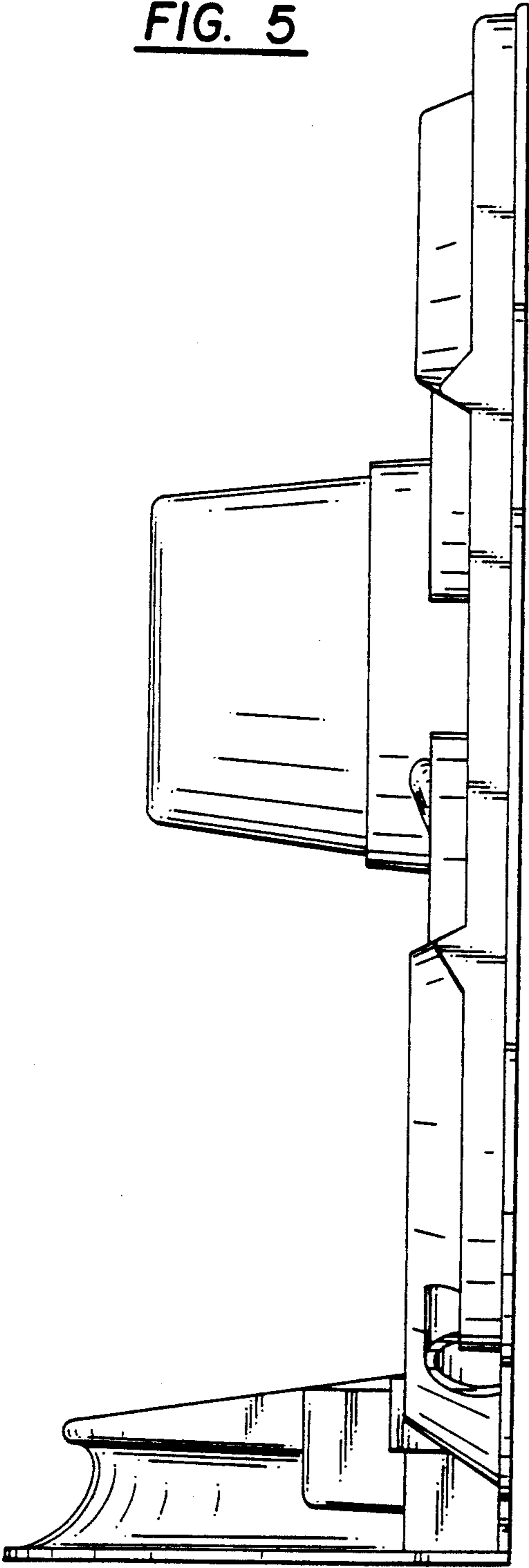


FIG. 6

