



US00D341761S

United States Patent [19]

Weimann

[11] Patent Number: Des. 341,761

[45] Date of Patent: ** Nov. 30, 1993

[54] **KEYHOLE SAW HANDLE**

[75] Inventor: **George F. Weimann**, Avon, Conn.

[73] Assignee: **The Stanley Works**, New Britain, Conn.

[**] Term: **14 Years**

[21] Appl. No.: **840,694**

[22] Filed: **Feb. 24, 1992**

[52] U.S. Cl. **D8/97; D8/68**

[58] Field of Search **D8/68, 97; 30/514, 506, 30/517, 520**

2,017,895 10/1935 Davey .
 2,137,742 11/1938 Jack .
 2,146,777 2/1939 Strong .
 2,149,241 2/1939 Davey .
 2,282,902 5/1942 Sultan .
 2,696,233 12/1954 Huxtable .
 2,773,528 12/1956 Gringer .
 3,259,158 7/1966 Garamy .

Primary Examiner—Alan P. Douglas
Assistant Examiner—J. H. Musgrove

[57] CLAIM

The ornamental design for a keyhole saw handle, as shown and described.

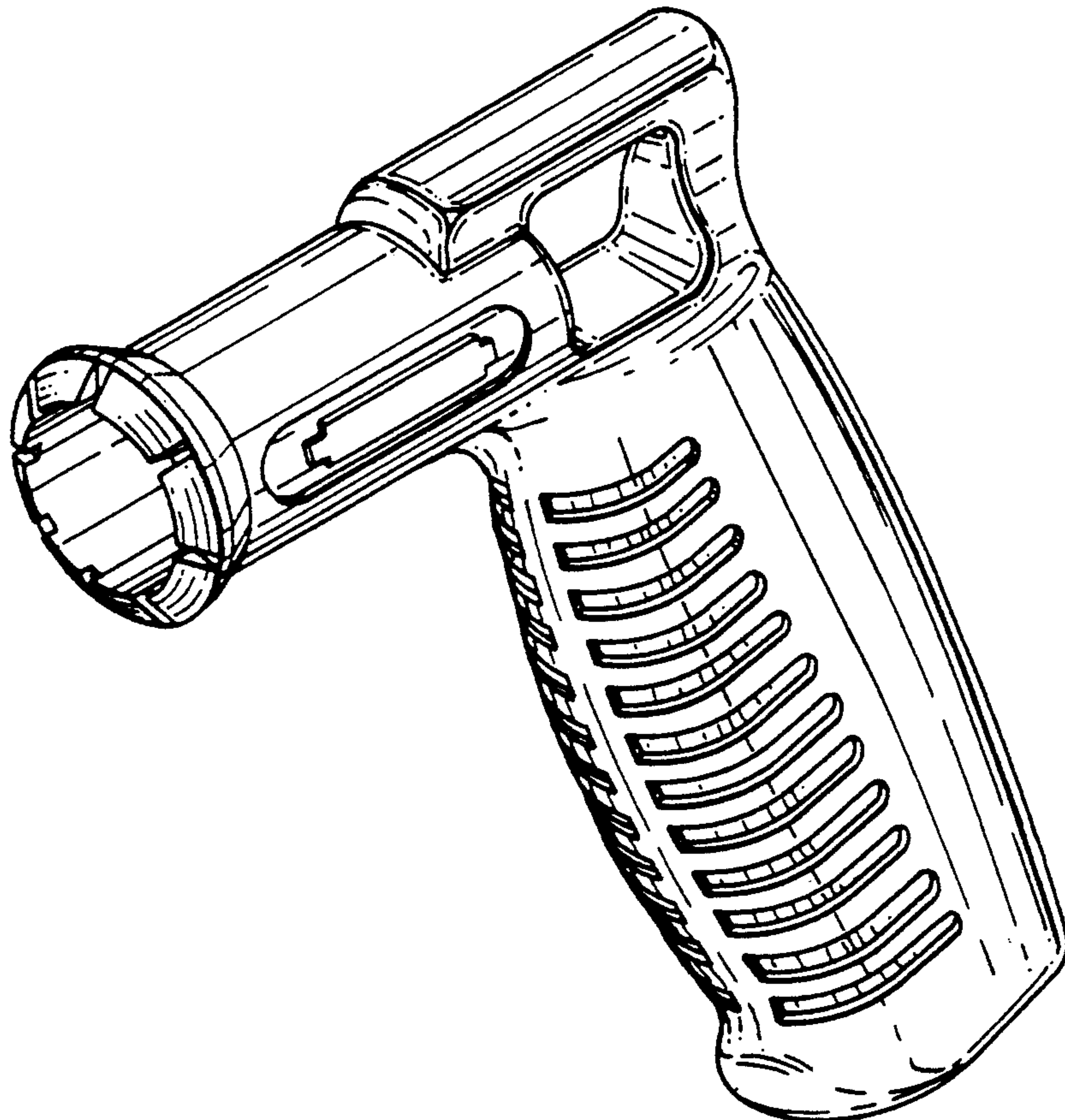
[56] References Cited

U.S. PATENT DOCUMENTS

D. 153,407	4/1949	Weaver .	
D. 162,736	4/1951	Huxtable .	
D. 291,171	8/1987	Ygfors	D8/97
D. 307,537	5/1990	Englund	D8/97
D. 321,119	10/1991	Cicccone, III et al.	D8/97
D. 323,966	2/1992	Tanabe	D8/97
262,341	8/1882	Andrews .	
320,169	6/1885	Richardson .	
552,342	12/1895	White .	
703,334	6/1902	Carey .	
945,828	1/1910	Webster et al. .	

DESCRIPTION

FIG. 1 is a perspective view of a keyhole saw handle showing my new design;
 FIG. 2 is a top plan view thereof;
 FIG. 3 is a bottom view thereof;
 FIG. 4 is a front elevational view thereof;
 FIG. 5 is a side elevational view thereof with a saw blade and tensioning means shown in phantom line;
 FIG. 6 is an elevational view of the opposite side; and,
 FIG. 7 is a rear elevational view.
 The broken line showing in FIG. 5 is for illustrative purposes only and forms no part of the claimed design.



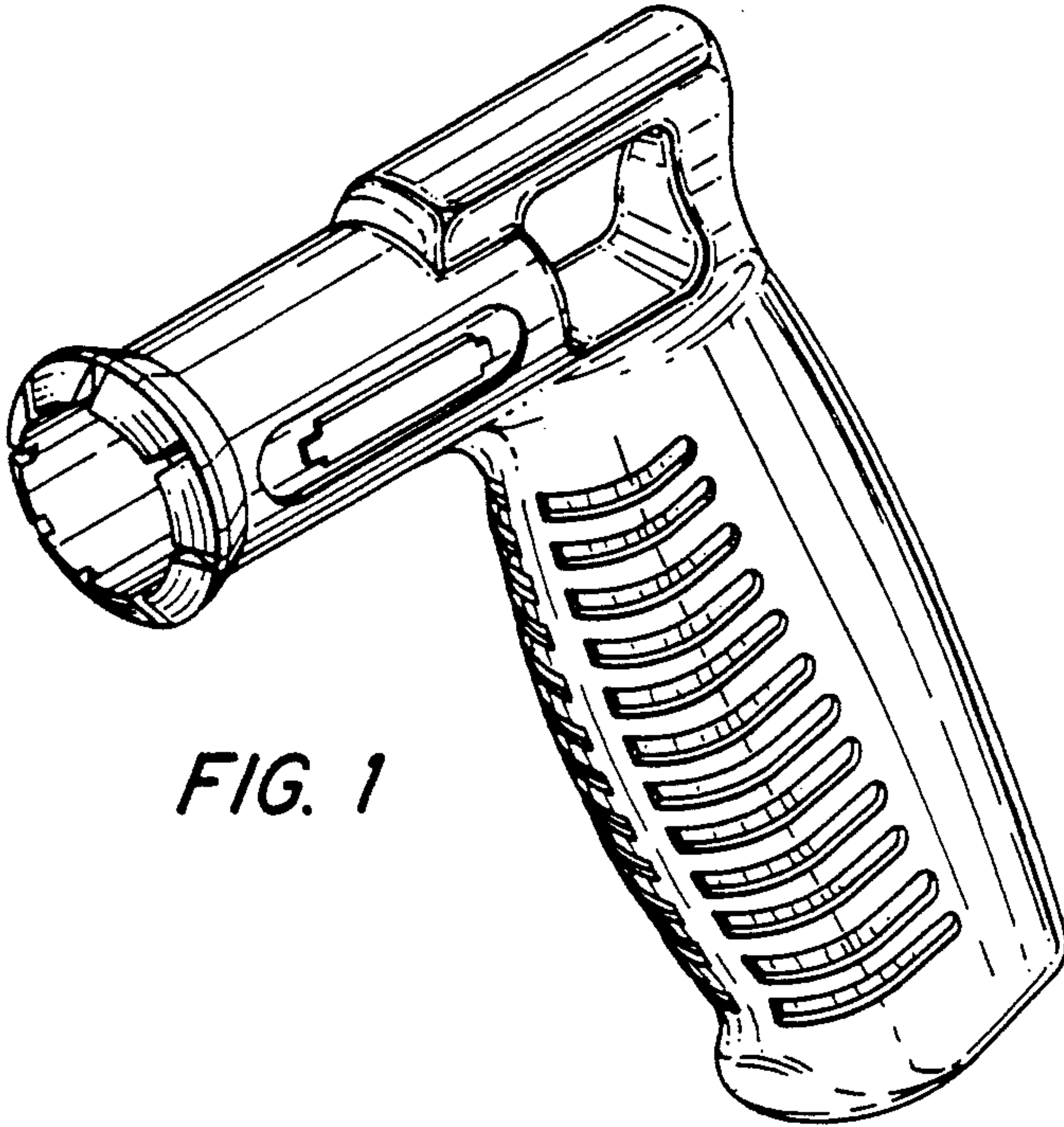


FIG. 1

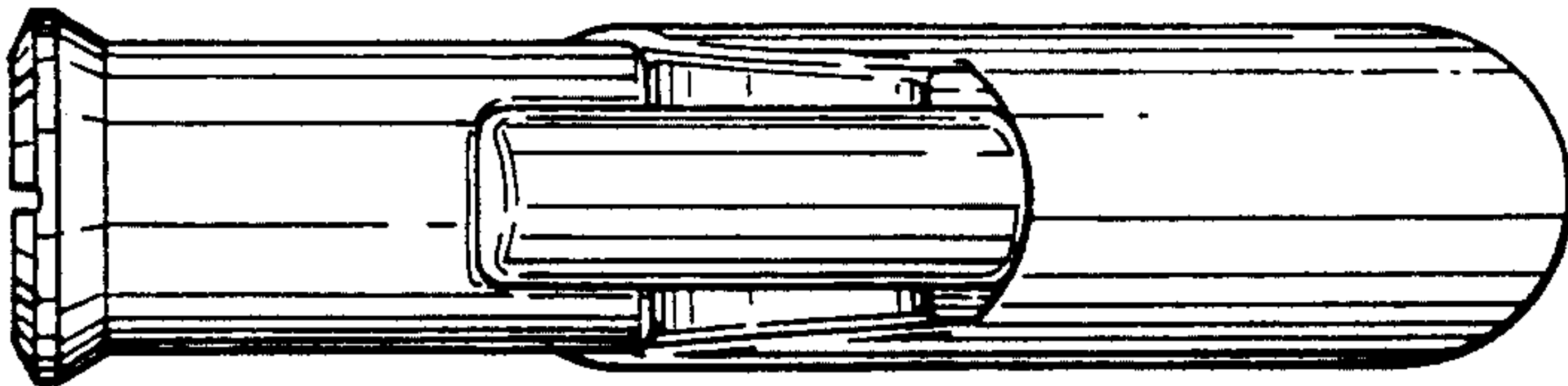


FIG. 2

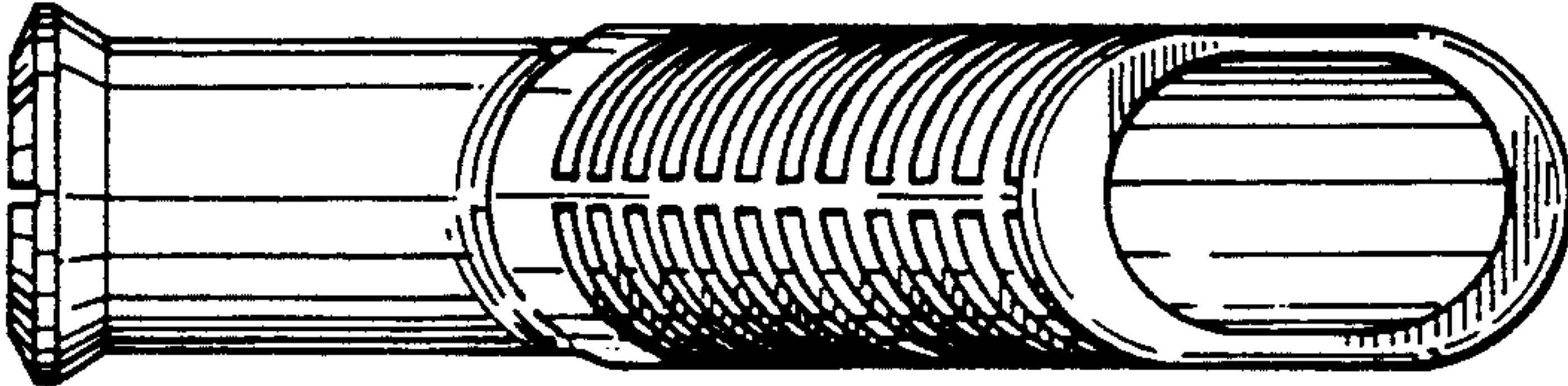


FIG. 3

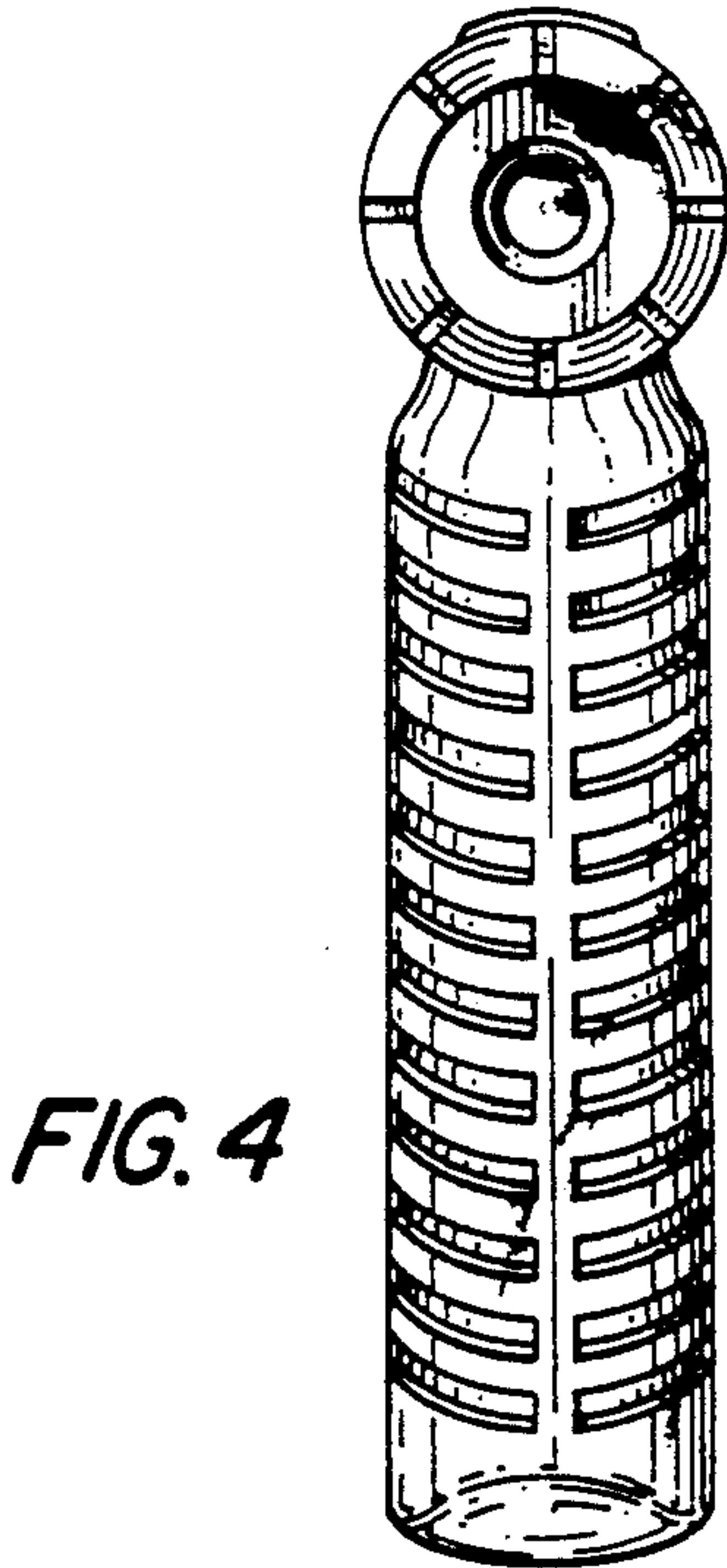


FIG. 4

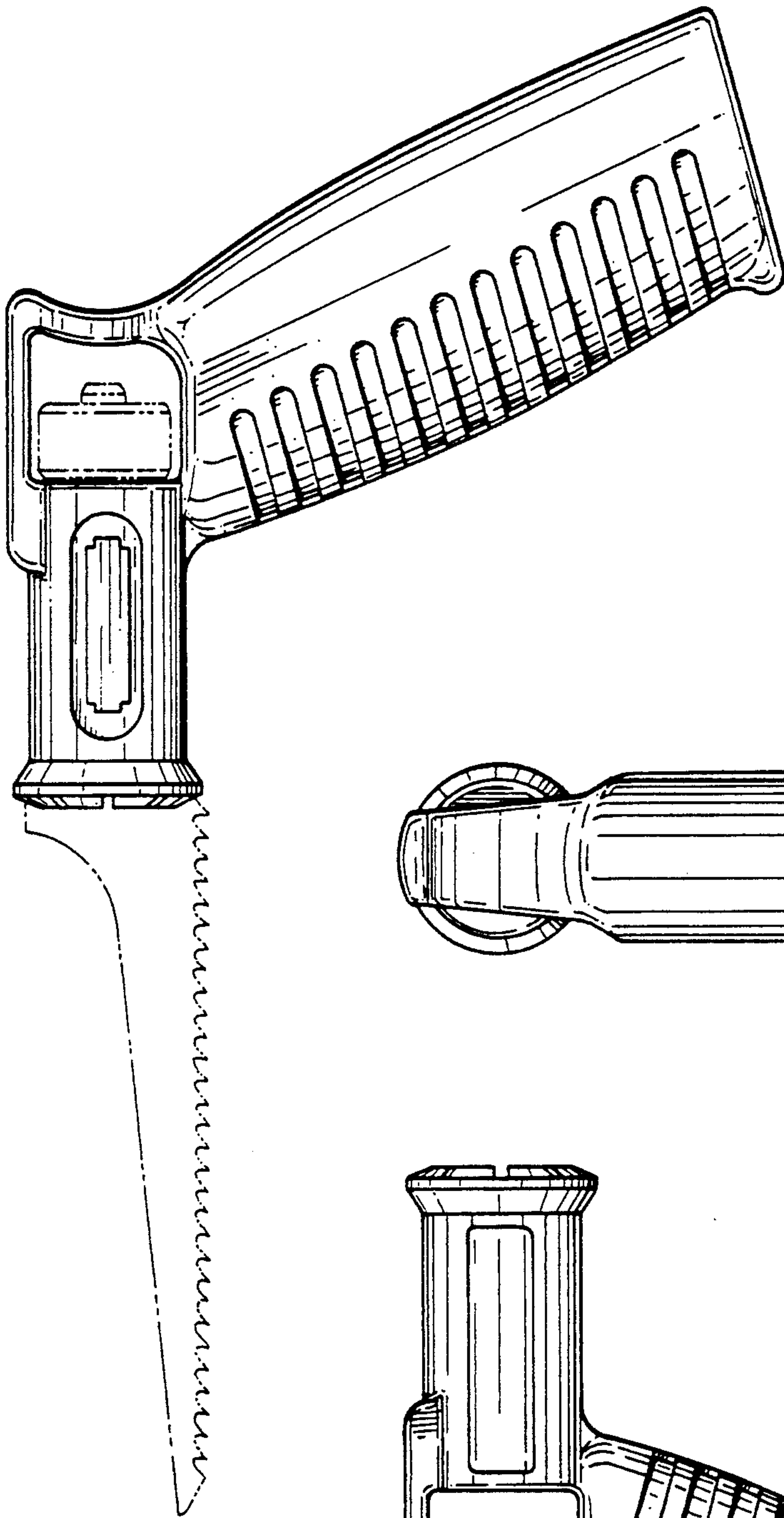


FIG. 5

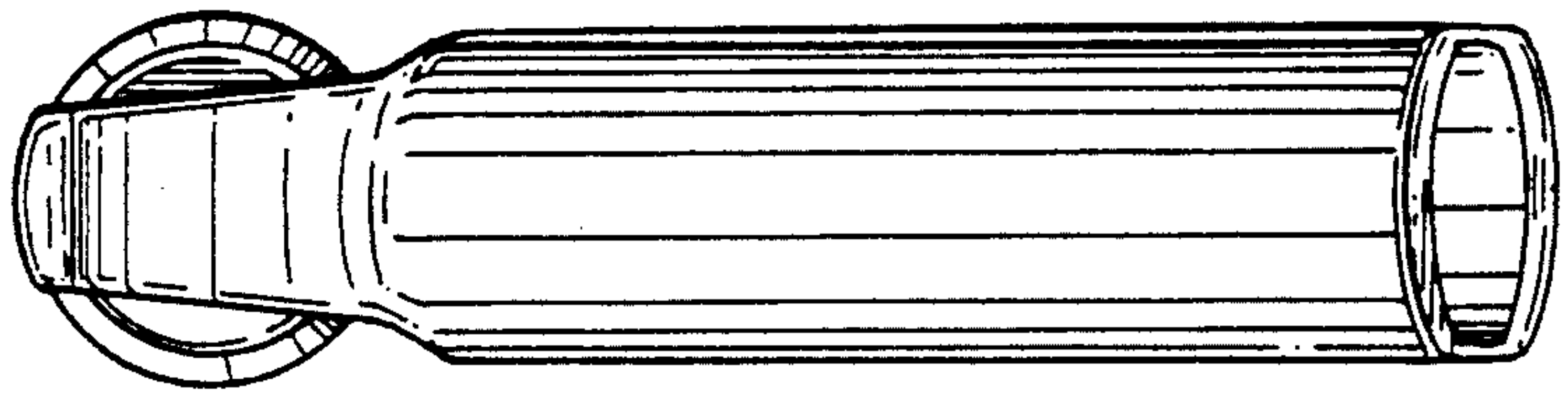


FIG. 7

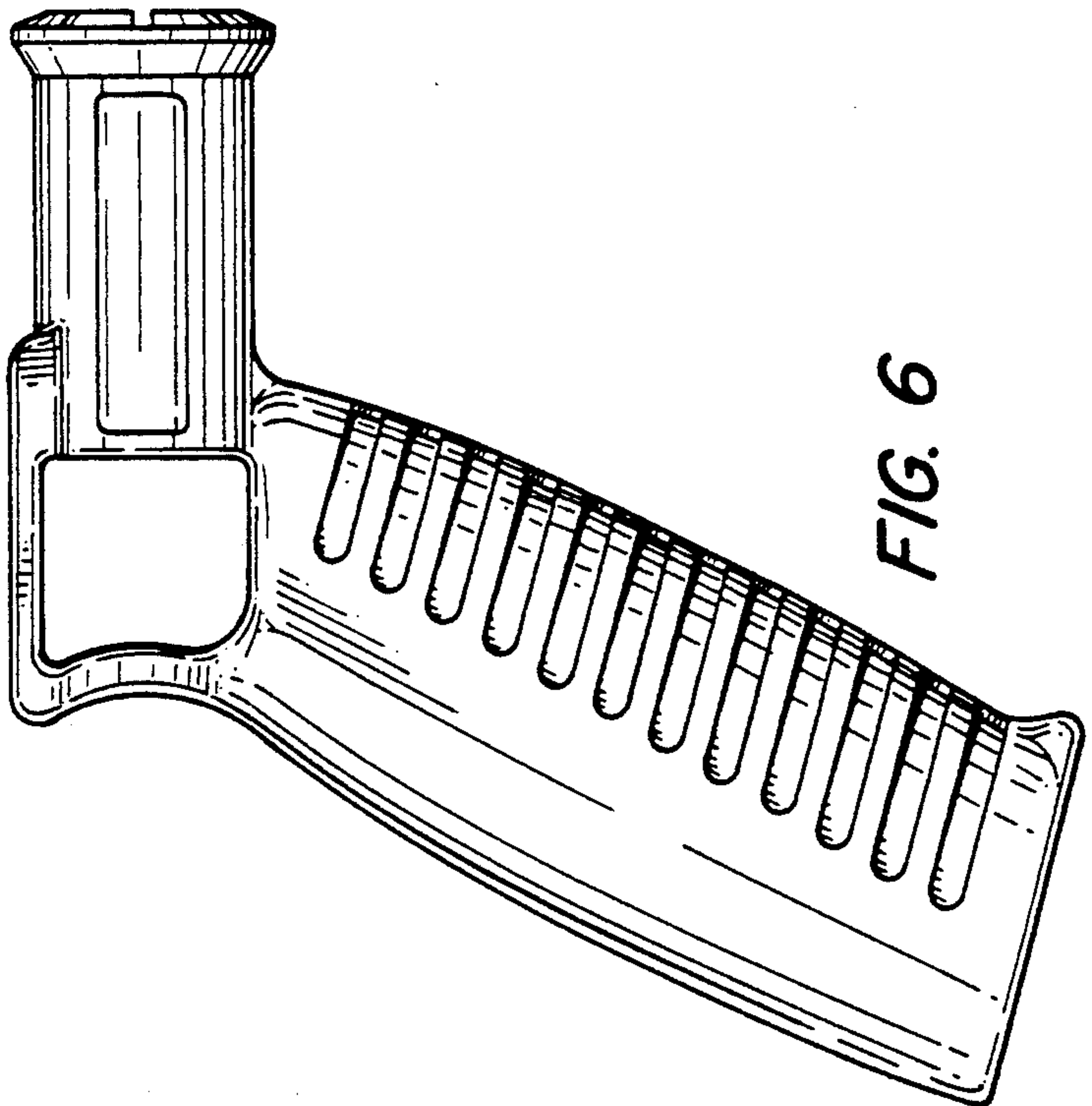


FIG. 6