



US00D341760S

United States Patent [19]

[11] Patent Number: **Des. 341,760**

Armbruster et al.

[45] Date of Patent: **** Nov. 30, 1993**

[54] **HAND-HELD POWER INJECTOR**

[75] Inventors: **Randy E. Armbruster; Peter Affolter,**
both of Rochester, N.Y.

[73] Assignee: **Sterling Winthrop Inc.,** Malvern, Pa.

[**] Term: **14 Years**

[21] Appl. No.: **873,548**

[22] Filed: **Apr. 21, 1992**

[52] U.S. Cl. **D8/68; D8/30**

[58] Field of Search **D8/68, 14.1, 30, 61;**
128/218; D21/147; 604/155, 49

D. 307,379 4/1990 Knispel D8/14.1

D. 313,736 1/1991 Boliver et al. D8/68

D. 316,215 4/1991 Belanger D8/30

D. 325,154 4/1992 King, III et al. D8/30

3,623,474 11/1971 Heilman et al. 128/218

3,701,345 10/1972 Heilman et al. 128/2 R

4,191,187 3/1980 Wright 128/218

4,519,258 5/1985 Jakubowicz 73/864

4,544,369 10/1985 Skakoon et al. 604/155

4,695,271 9/1987 Goethel 604/49

Primary Examiner—Nelson C. Holtje
Assistant Examiner—J. H. Musgrove
Attorney, Agent, or Firm—Arthur Rosenstein; Imre Balogh

[56] **References Cited**
U.S. PATENT DOCUMENTS

D. 195,591 7/1963 LeSage et al. D8/68

D. 226,750 4/1973 Grossman D8/30

D. 259,234 5/1981 Pfell D8/30

D. 260,667 9/1981 McAlpin D21/147

D. 260,793 9/1981 McAlpin et al. D21/147

D. 280,072 8/1985 Dziki D8/30

D. 281,391 12/1985 Somers D8/61

D. 286,900 11/1986 Barthropp D21/147

D. 289,968 5/1987 Somers D8/68

D. 297,299 8/1988 Krause D8/30

D. 297,351 8/1988 Kitts D23/226

D. 297,748 9/1988 Marino D21/147

D. 303,611 9/1989 Spirk et al. D8/68

[57] **CLAIM**

The ornamental design for a hand-held power injector, as shown and described.

DESCRIPTION

FIG. 1 is a perspective view of a hand-held power injector incorporating the design;

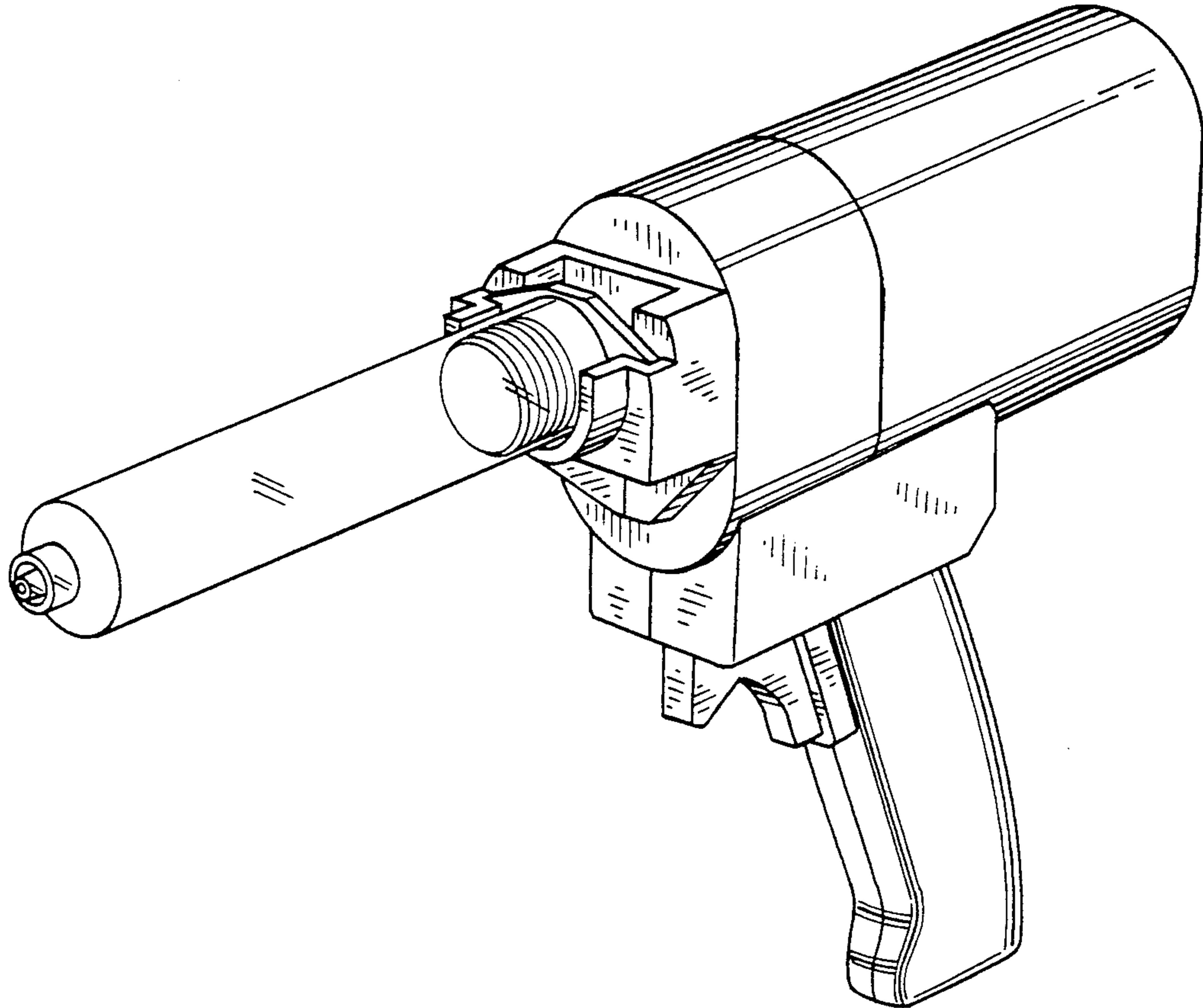
FIG. 2 is a side elevational view of the design of FIG. 1, the left side and the right side elevation having the same appearance;

FIG. 3 is a front plan view of the design of FIG. 1;

FIG. 4 is a rear plan view of the design of FIG. 1;

FIG. 5 is a top plan view of the design of FIG. 1; and,

FIG. 6 is a bottom plan view of the design of FIG. 1.



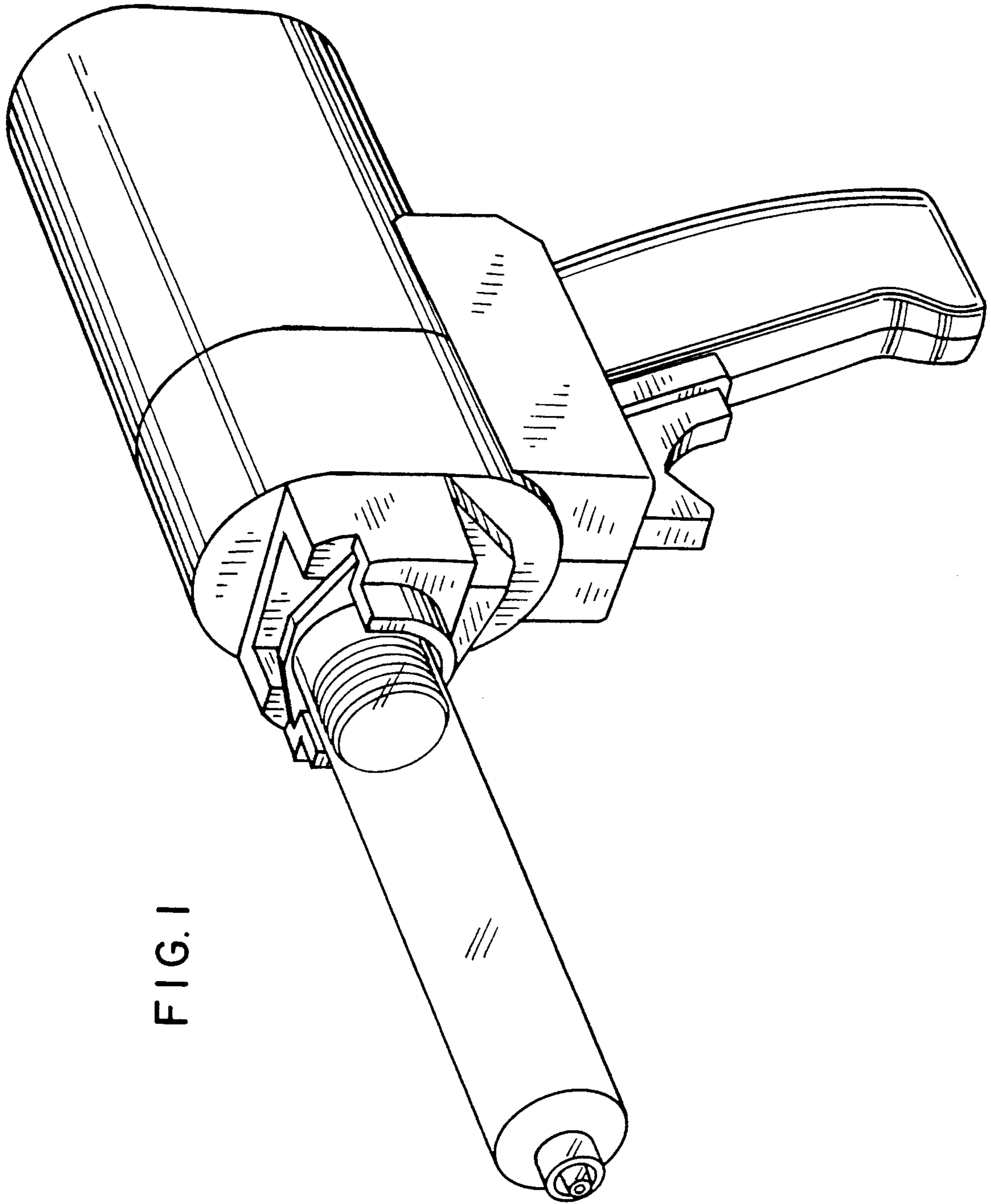


FIG. 1

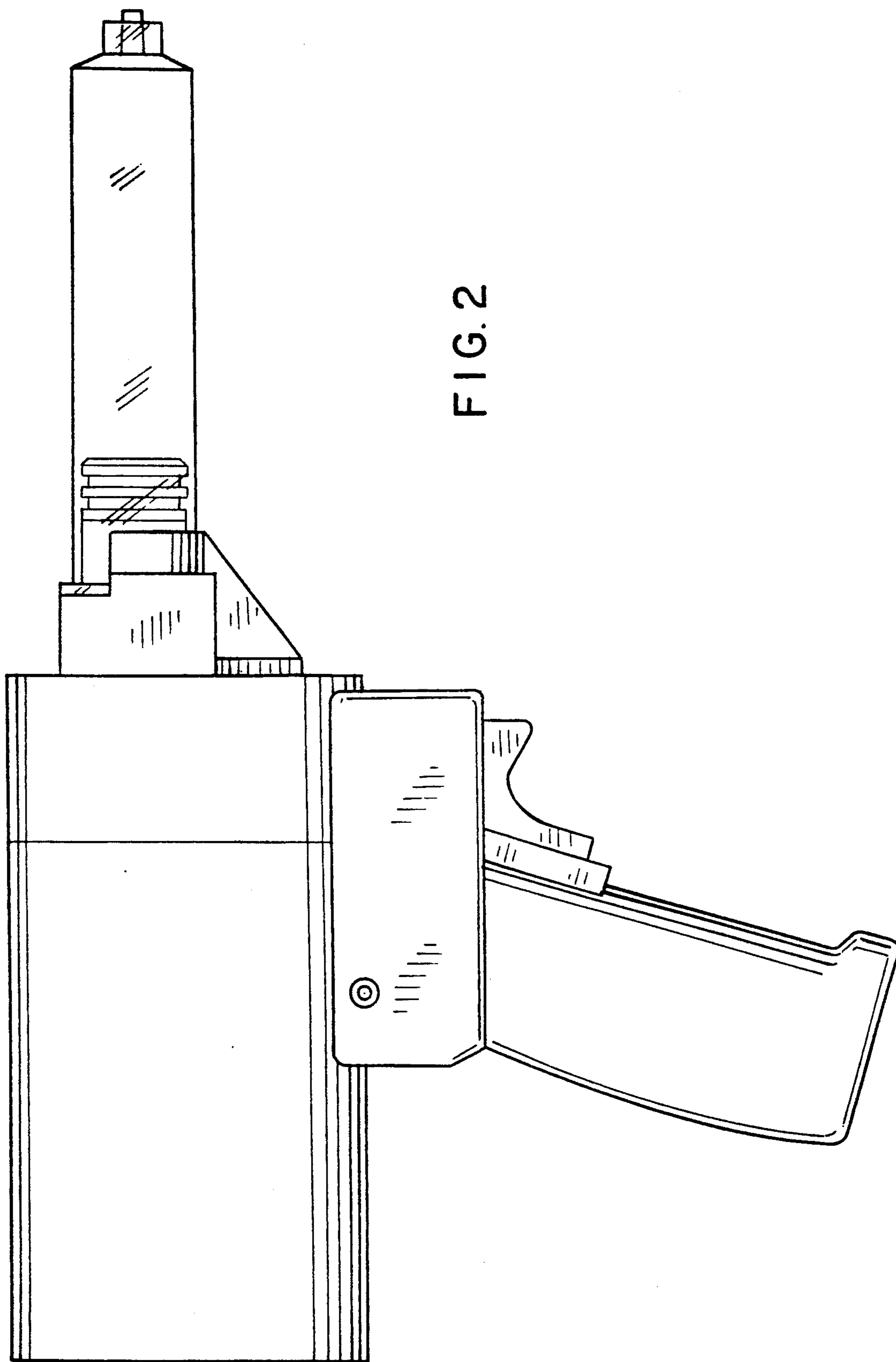


FIG. 2

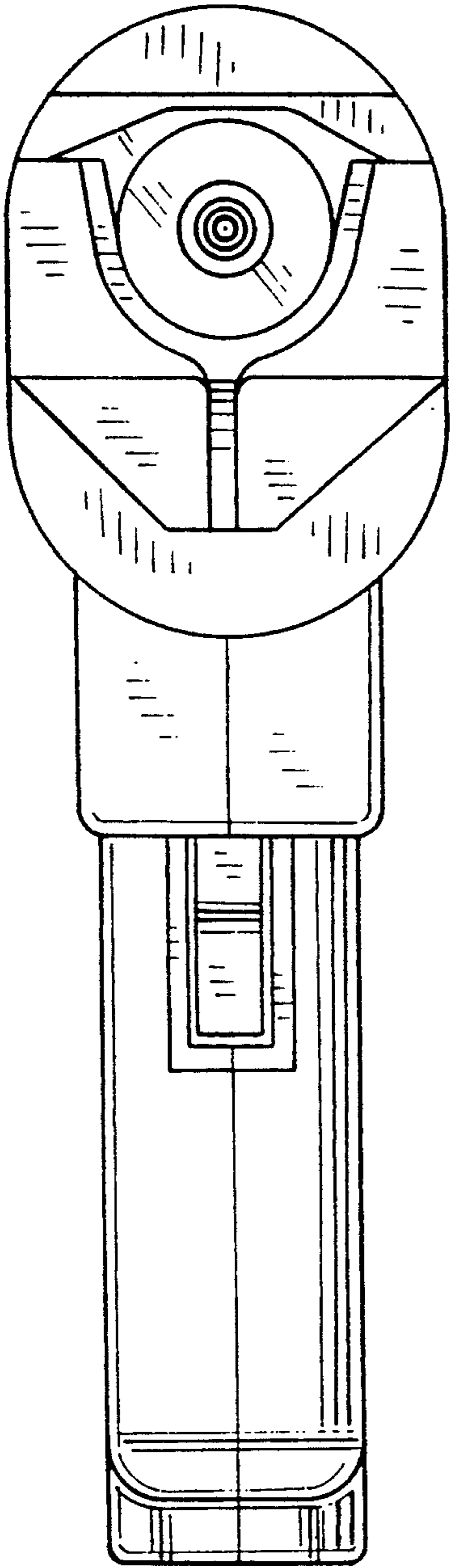


FIG. 3

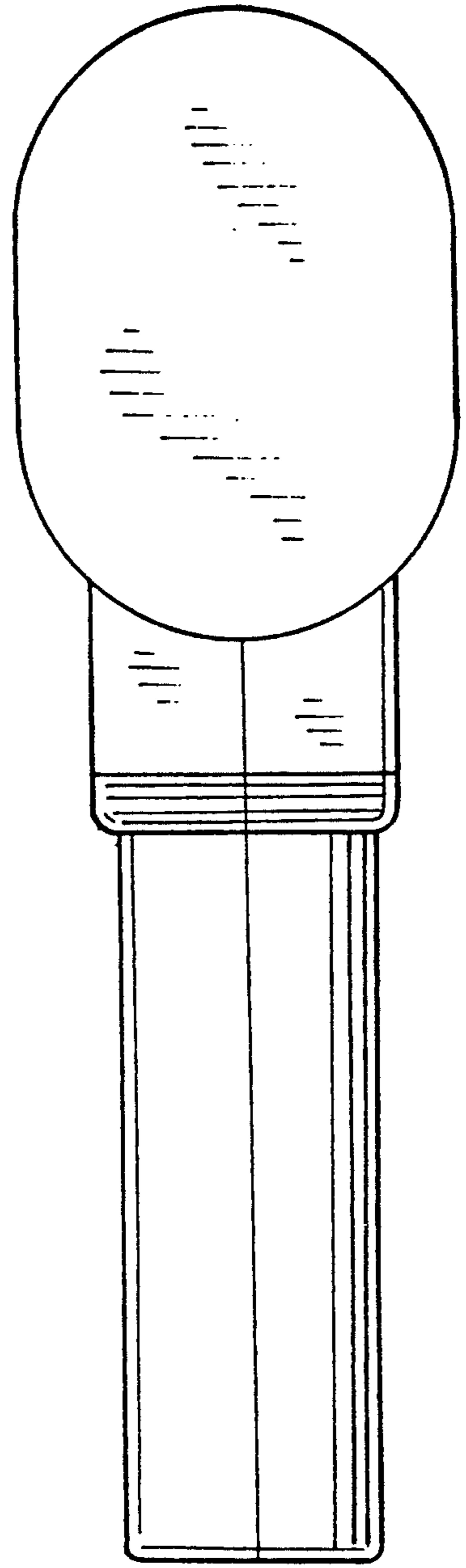


FIG. 4

FIG. 5

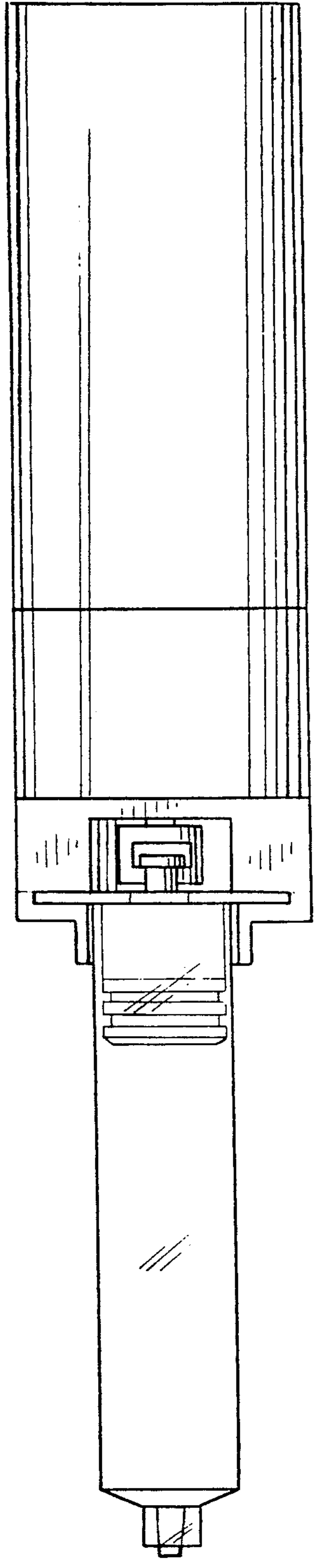


FIG. 6

