



US00D341758S

# United States Patent [19]

[11] Patent Number: **Des. 341,758**

Egan

[45] Date of Patent: **\*\* Nov. 30, 1993**

[54] **TOOL FOR STRAIGHTENING AN ARROW**

[76] Inventor: **T. David Egan**, 526 E. 6770 South, Midvale, Utah 84047

[\*\*] Term: **14 Years**

[21] Appl. No.: **909,420**

[22] Filed: **Jul. 6, 1992**

[52] U.S. Cl. .... **D8/14; D8/32**

[58] Field of Search ..... **D8/14, 32; 72/34, 319, 72/458, 459, 460; 33/174 Q**

[56] **References Cited**

**U.S. PATENT DOCUMENTS**

D. 230,248	2/1974	Ely .....	D8/32
2,635,668	4/1953	Redinbaugh .....	72/458
2,667,798	2/1954	Beasley .....	72/458
2,674,142	4/1954	Angelo et al. ....	72/458
4,155,172	5/1979	Bartol .....	33/174 Q
4,623,410	11/1986	Hillesheim et al. ....	156/64
4,934,174	6/1990	Gronlund et al. ....	72/458

**OTHER PUBLICATIONS**

A product labeled STRATARO, Date is prior to the claimed design.

*Primary Examiner*—Bernard Ansher

*Assistant Examiner*—Philip Hyder

*Attorney, Agent, or Firm*—Lynn G. Foster

[57] **CLAIM**

The ornamental design for a tool for straightening an arrow, as shown and described.

**DESCRIPTION**

FIG. 1 is a perspective view of a tool for straightening an arrow embodying my new design;

FIG. 2 is an enlarged fragmentary perspective of the lugs at one end of the tool viewed above and to the rear of FIG. 1;

FIG. 3 is an end elevational view looking from the right of FIG. 1;

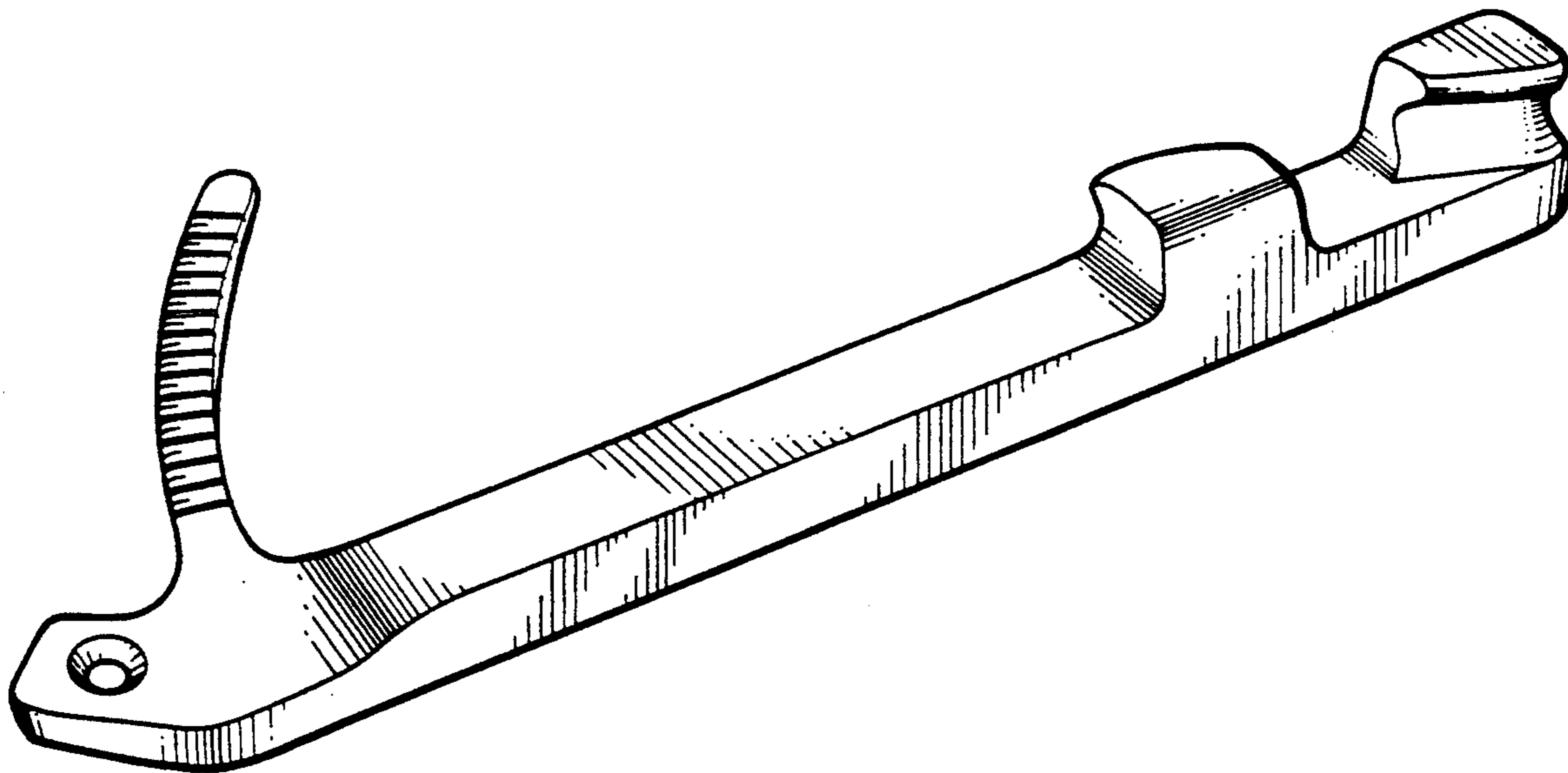
FIG. 4 is an end elevational view looking from the left of FIG. 1;

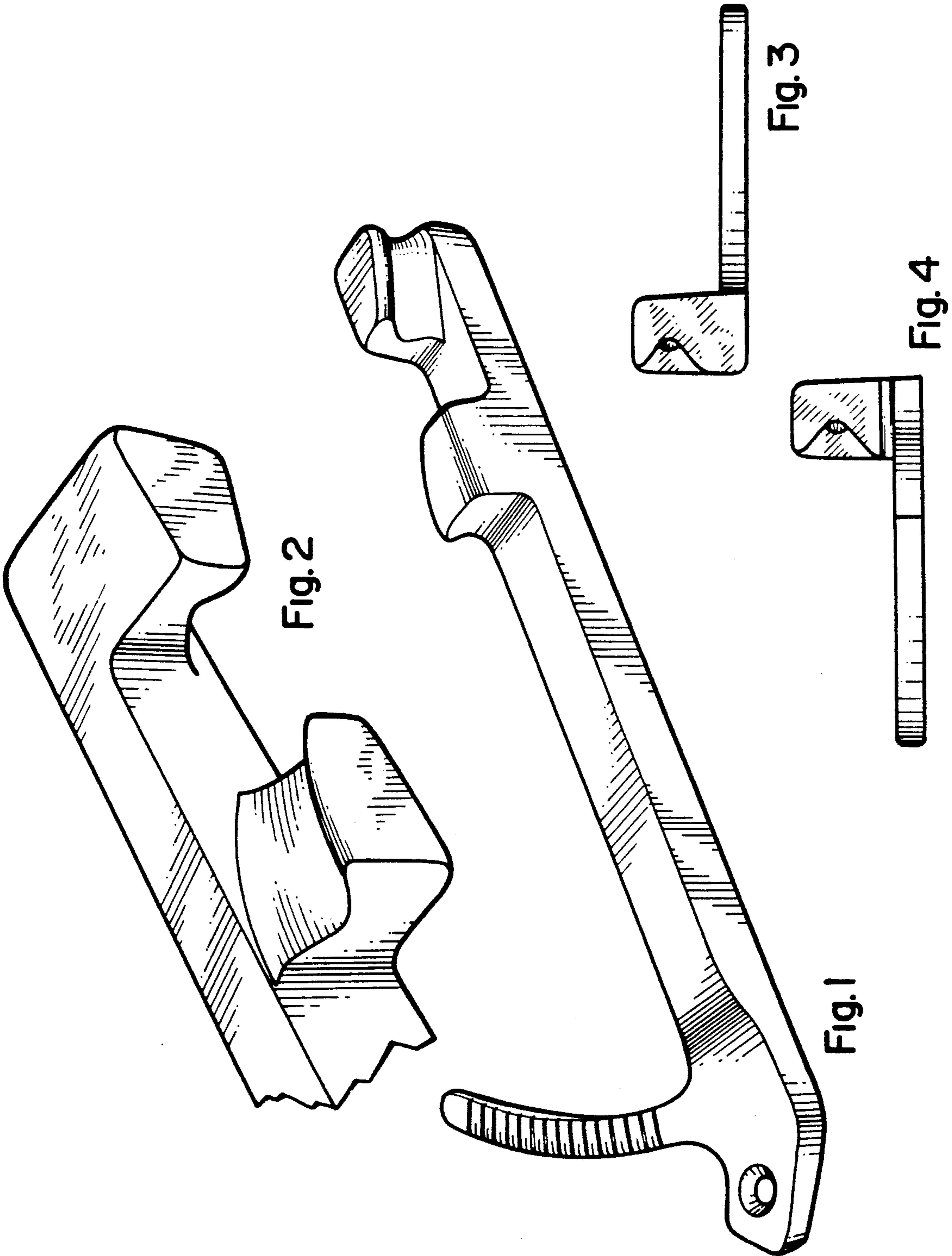
FIG. 5 is a rear elevational view thereof;

FIG. 6 is a top plan view thereof; and,

FIG. 7 is a front elevational view thereof.

The bottom of the tool is plain and unornamented.





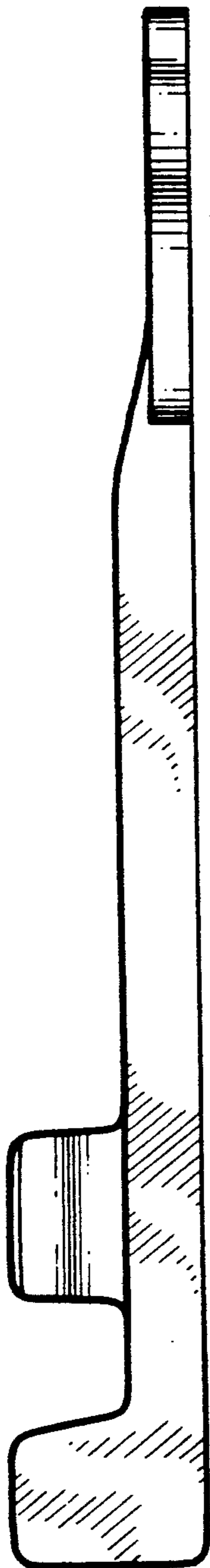


Fig. 5

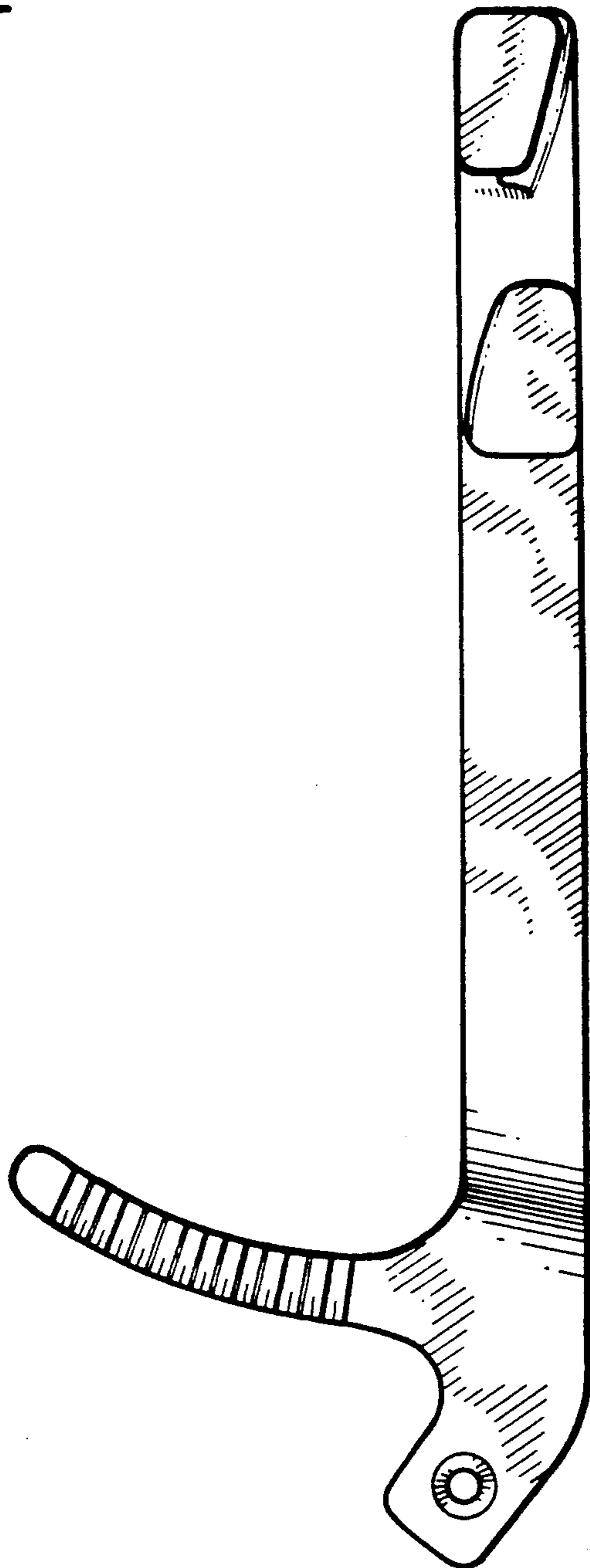


Fig. 6

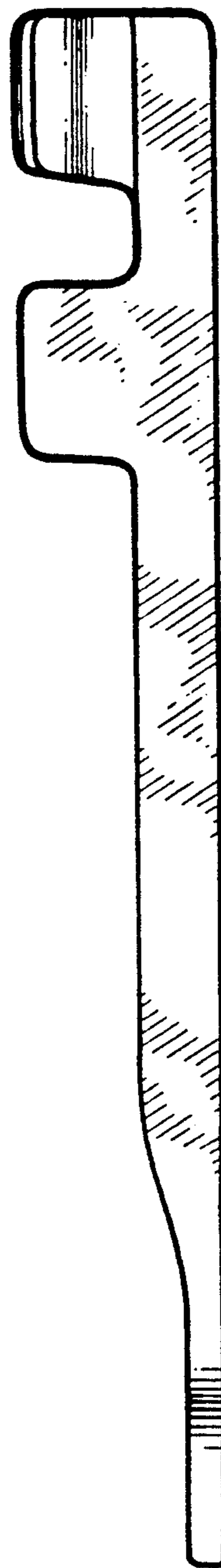


Fig. 7