



US00D341749S

United States Patent [19]

[11] Patent Number: **Des. 341,749**

Correa

[45] Date of Patent: **** Nov. 30, 1993**

[54] **BASE FOR A SMALL KITCHEN APPLIANCE**

[75] Inventor: **Alvaro Correa**, Cheshire, Conn.

[73] Assignee: **Black & Decker Inc.**, Newark, Del.

[**] Term: **14 Years**

[21] Appl. No.: **824,481**

[22] Filed: **Jan. 17, 1992**

[52] U.S. Cl. **D7/386; D7/376**

[58] Field of Search **D7/376-378, D7/386; 366/129, 130, 197, 199, 204, 205, 314**

1991-1992; Pub. No. 94-001-01; ©1991; Blender HB15.

Primary Examiner—Alan P. Douglas
Assistant Examiner—Caron D. Veynar
Attorney, Agent, or Firm—Barry E. Deutsch

[57] CLAIM

The ornamental design for a base for a small kitchen appliance, as shown and described.

DESCRIPTION

FIG. 1 is a perspective view of a base for a small kitchen appliance showing my new design, the broken line showing of a container is environmental only and forms no part of the claimed design;
FIG. 2 is a top plan view thereof;
FIG. 3 is a front elevational view thereof;
FIG. 4 is a left side elevational view thereof;
FIG. 5 is a right side elevational view thereof;
FIG. 6 is a rear elevational view thereof;
FIG. 7 is a bottom plan view thereof; and,
FIG. 8 is a perspective view of a second embodiment of my new design of FIG. 1.

[56] References Cited

U.S. PATENT DOCUMENTS

- D. 215,680 10/1969 Hanson et al. D7/386
- D. 320,716 10/1991 Maass D7/378

OTHER PUBLICATIONS

W. Bell; 1987/88; p. 275; #4 Black & Decker Blender. Black & Decker Household Products Catalog;

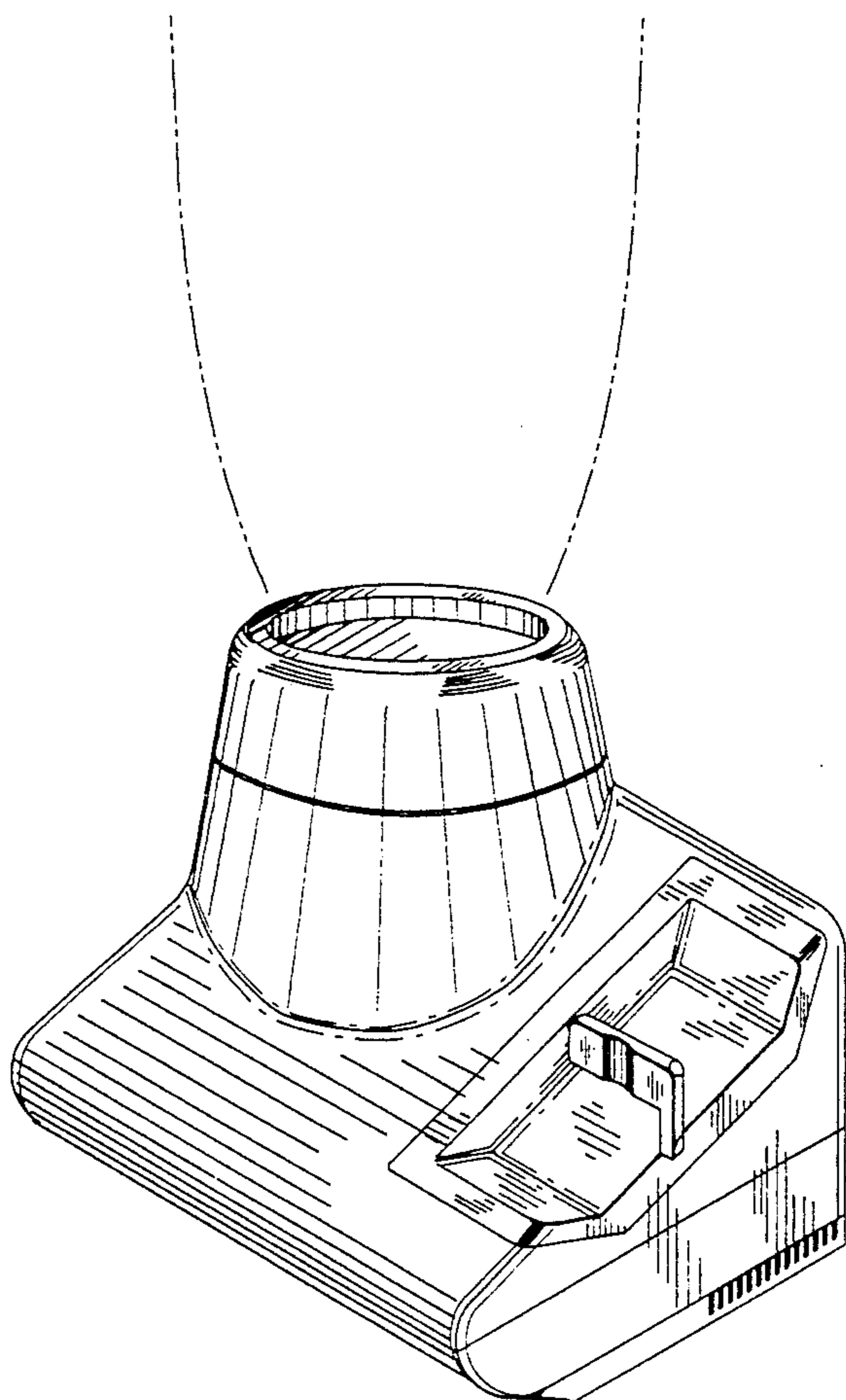
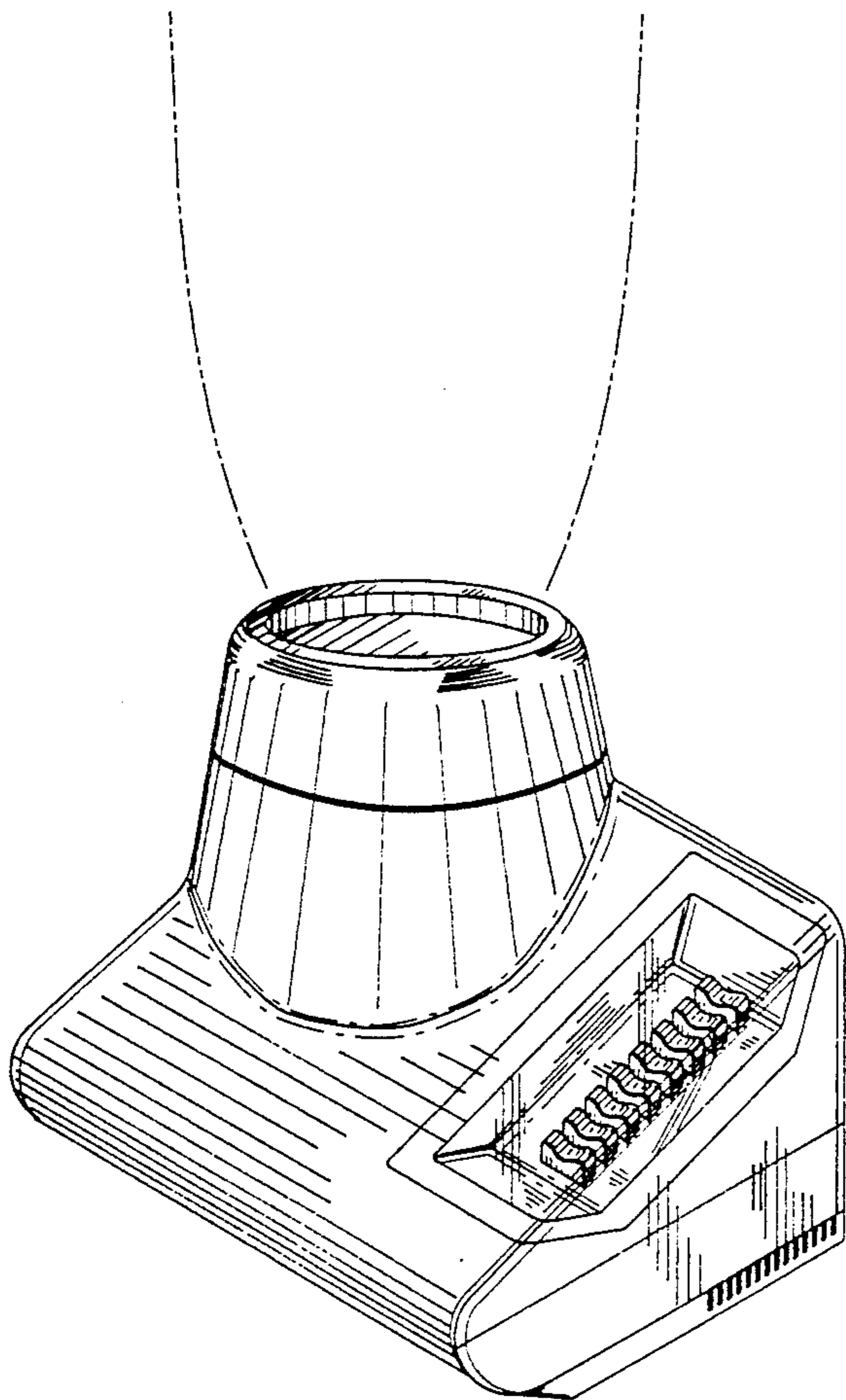


FIG. 1

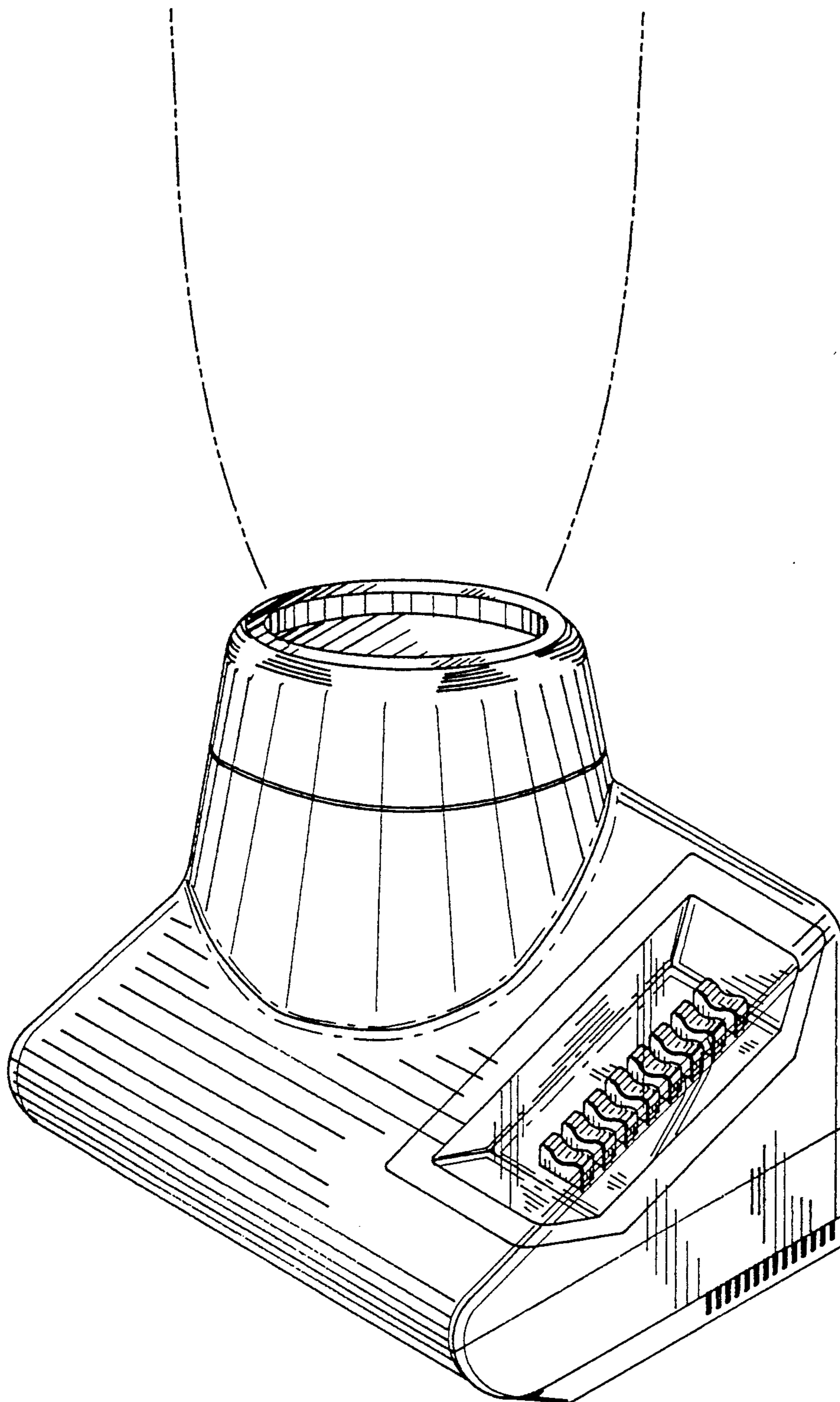


FIG. 2

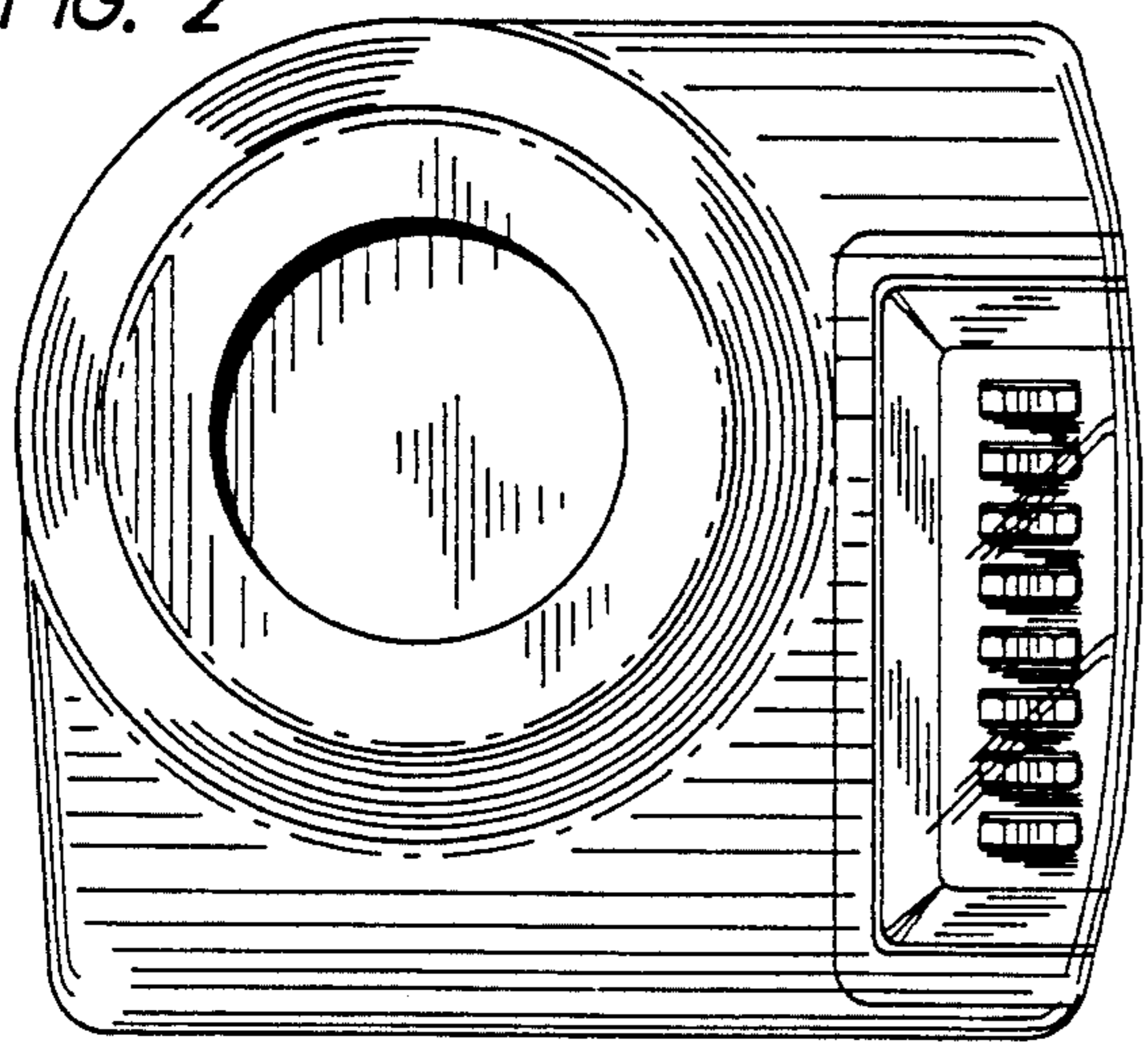


FIG. 3

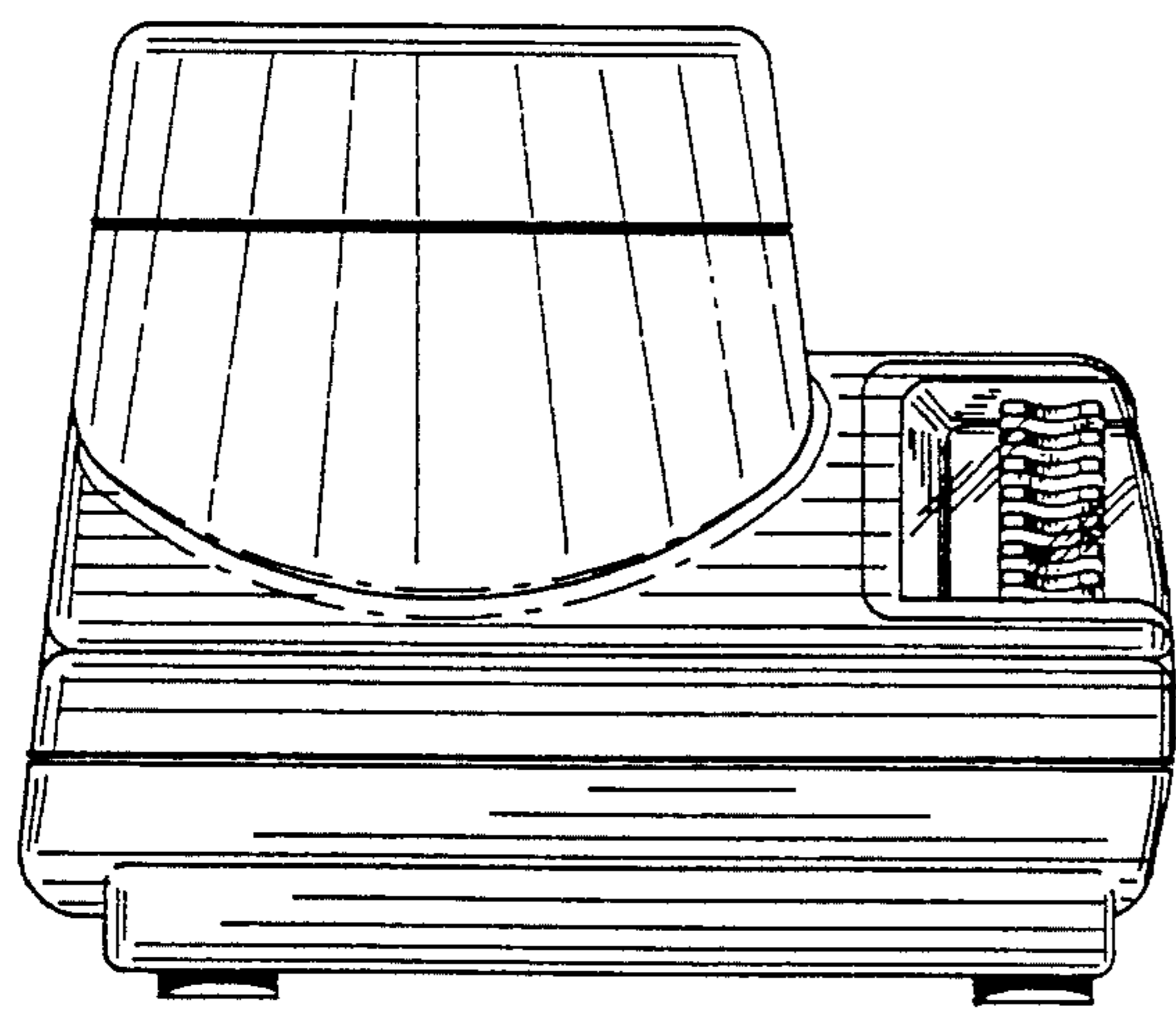


FIG. 4

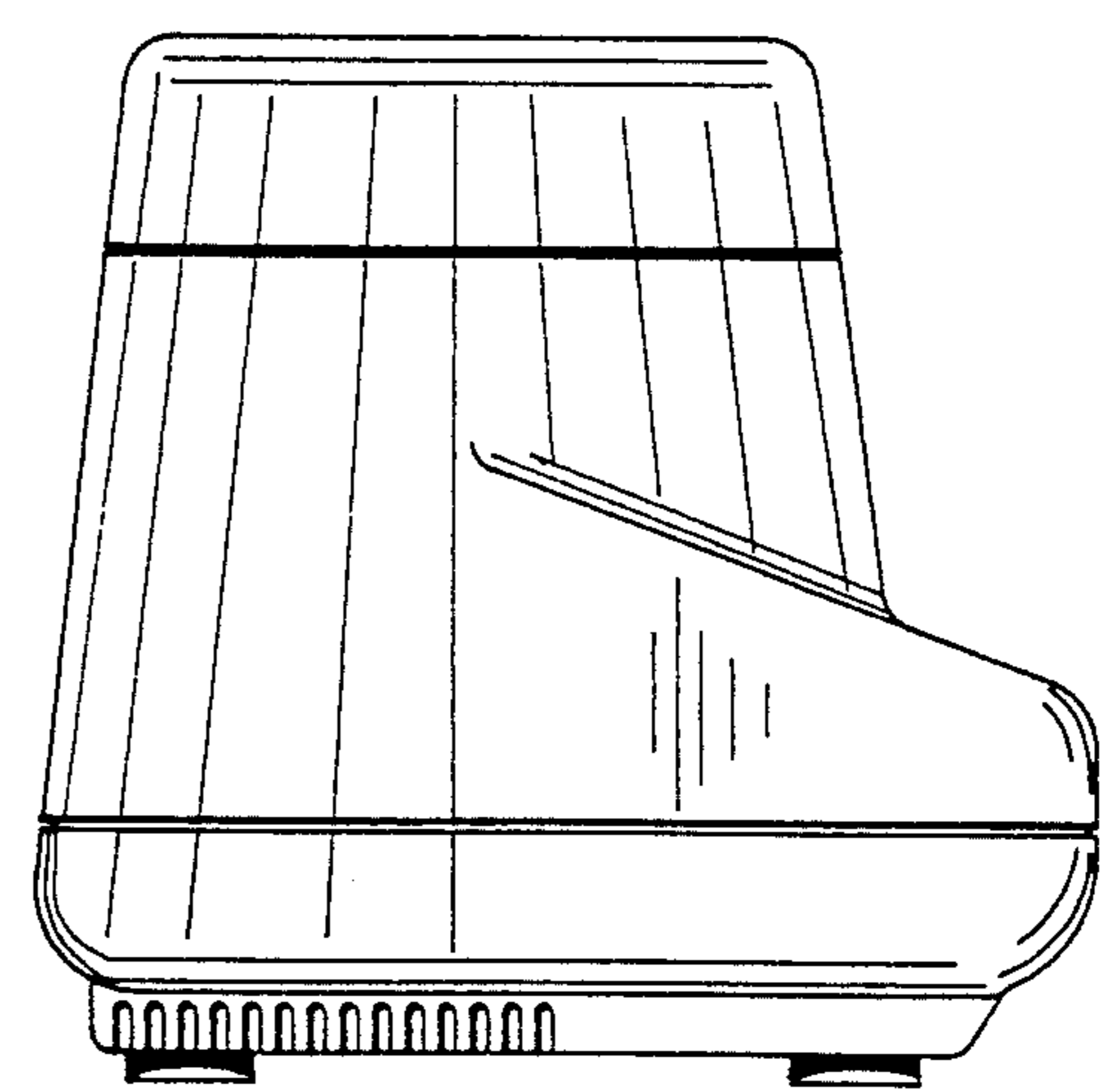


FIG. 5

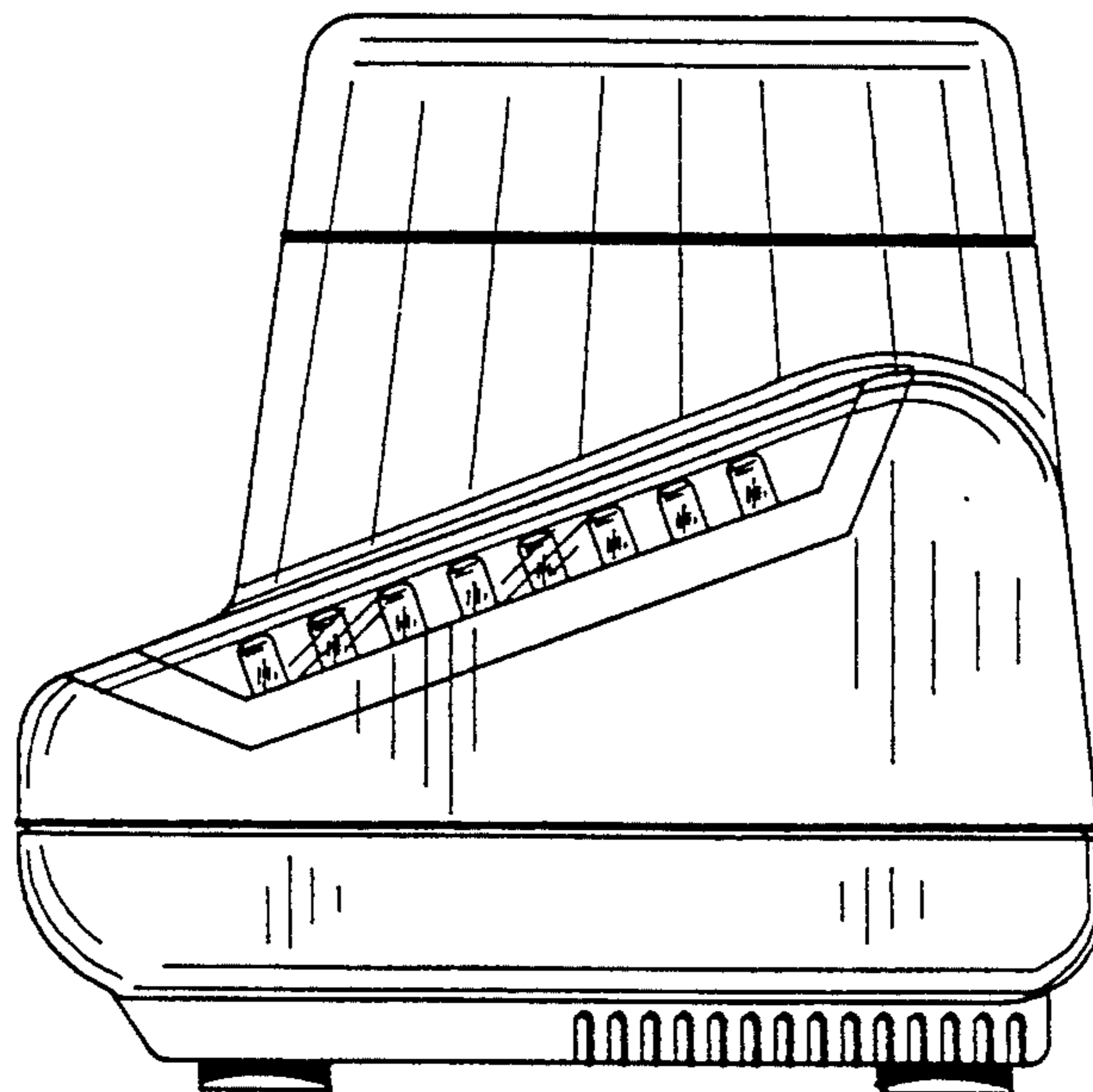


FIG. 6

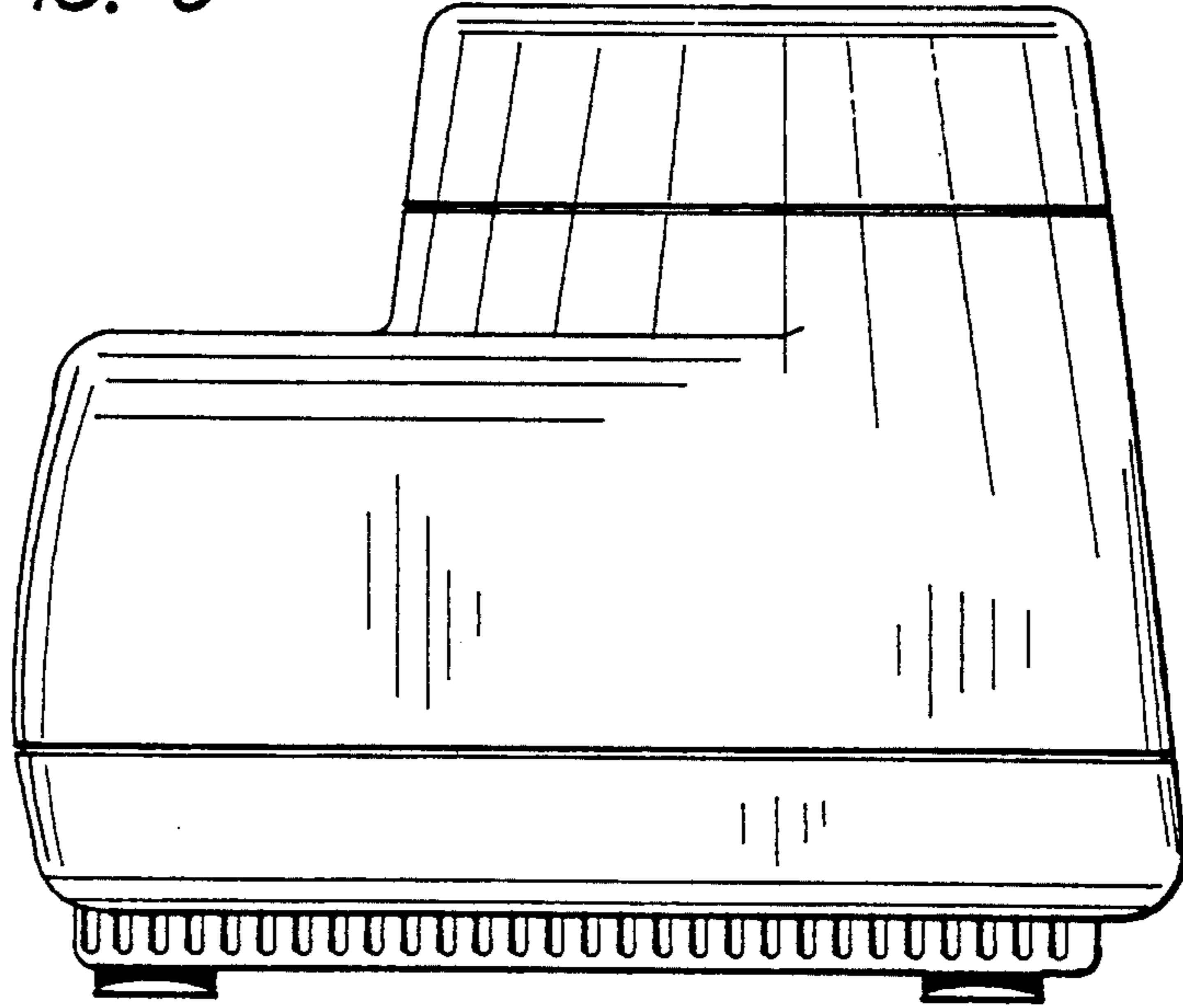


FIG. 7

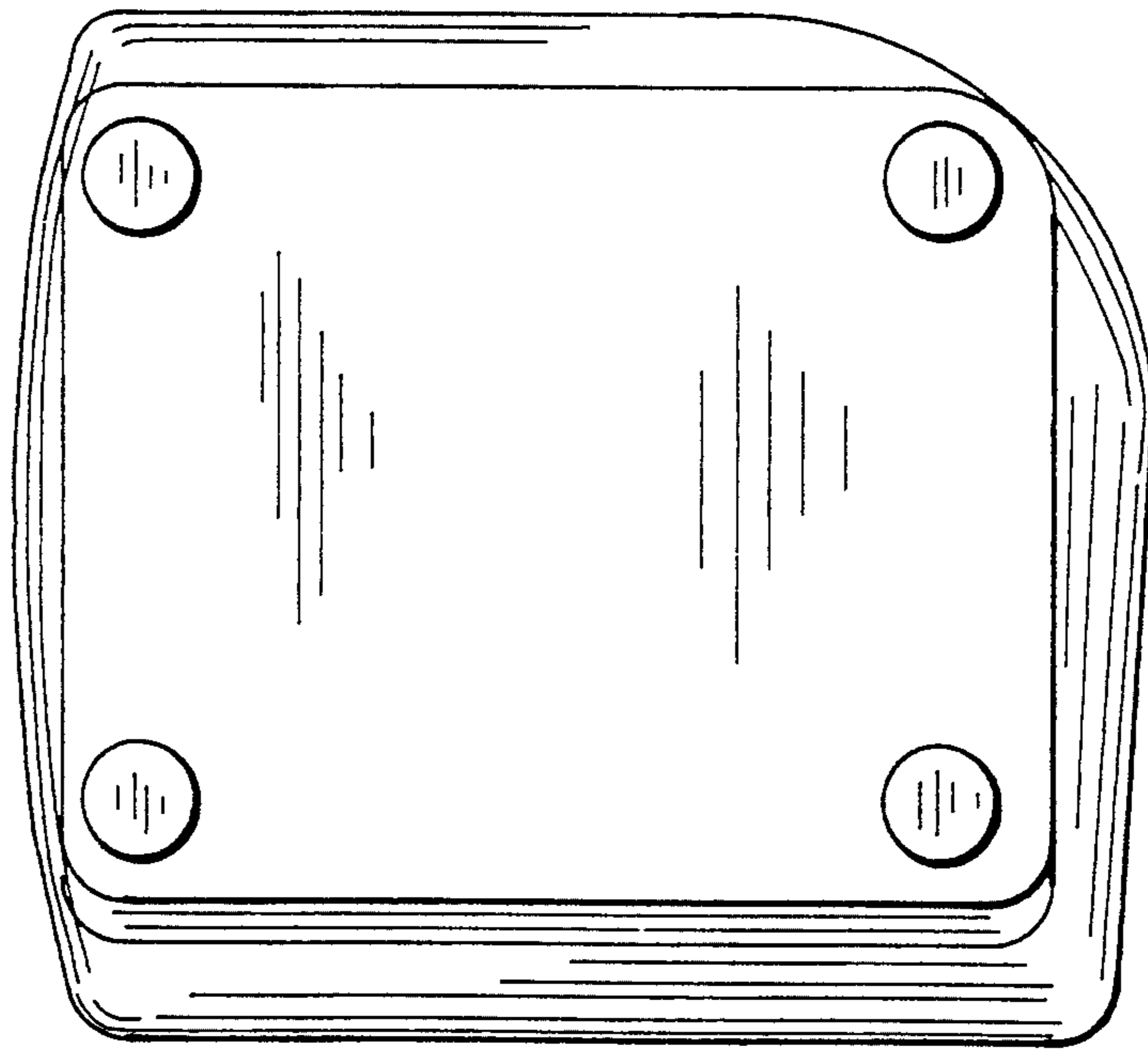


FIG. 8

