



US00D341747S

# United States Patent [19] Connell

[11] Patent Number: **Des. 341,747**  
[45] Date of Patent: **\*\* Nov. 30, 1993**

[54] **DOUBLE-UNIT FOOD FRYING MACHINE**

[75] Inventor: **David P. Connell, Johnston, R.I.**

[73] Assignee: **Motion Technologies, Inc., Lincoln, R.I.**

[\*\*] Term: **14 Years**

[21] Appl. No.: **751,204**

[22] Filed: **Aug. 28, 1991**

[52] U.S. Cl. .... **D7/339**

[58] Field of Search ..... **D7/323, 39, 347-356; 99/330, 357, 403, 407-410, 416, 468, 483**

[56] **References Cited**

**U.S. PATENT DOCUMENTS**

D. 186,345	10/1959	Pappas .....	D7/339
D. 215,383	9/1969	Moore et al. ....	D7/339
D. 318,775	8/1991	Bonnet et al. ....	D7/350
4,924,072	5/1990	Oslin .....	219/400

**OTHER PUBLICATIONS**

Ultra Steam Countertop Convection Steamer, "Market Forge Ultra Steam".  
Foodservice Equipment & Supplies Specialist, Dec. 1989, p. 31, "Groen Steamer".

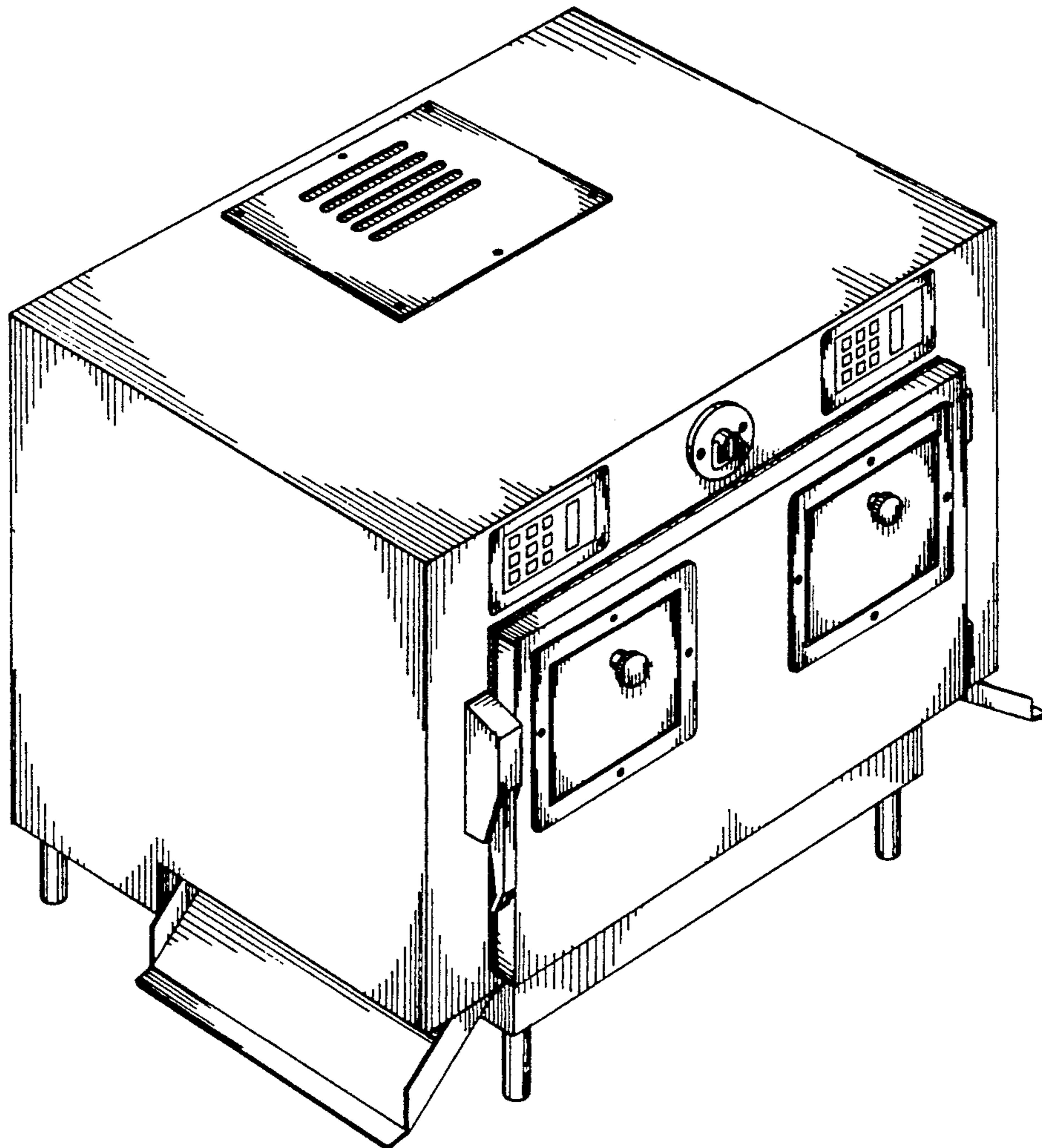
*Primary Examiner*—Ruth McInroy  
*Attorney, Agent, or Firm*—Lorusso & Loud

[57] **CLAIM**

The ornamental design for a double-unit food frying machine, as shown.

**DESCRIPTION**

FIG. 1 is a perspective view of a double-unit food frying machine showing my new design; FIG. 2 is a front elevational view thereof; FIG. 3 is a rear elevational view thereof; FIG. 4 is a top plan view thereof; FIG. 5 is a left side elevational view thereof; FIG. 6 is a bottom plan view thereof; and, FIG. 7 is a right side elevational view thereof.



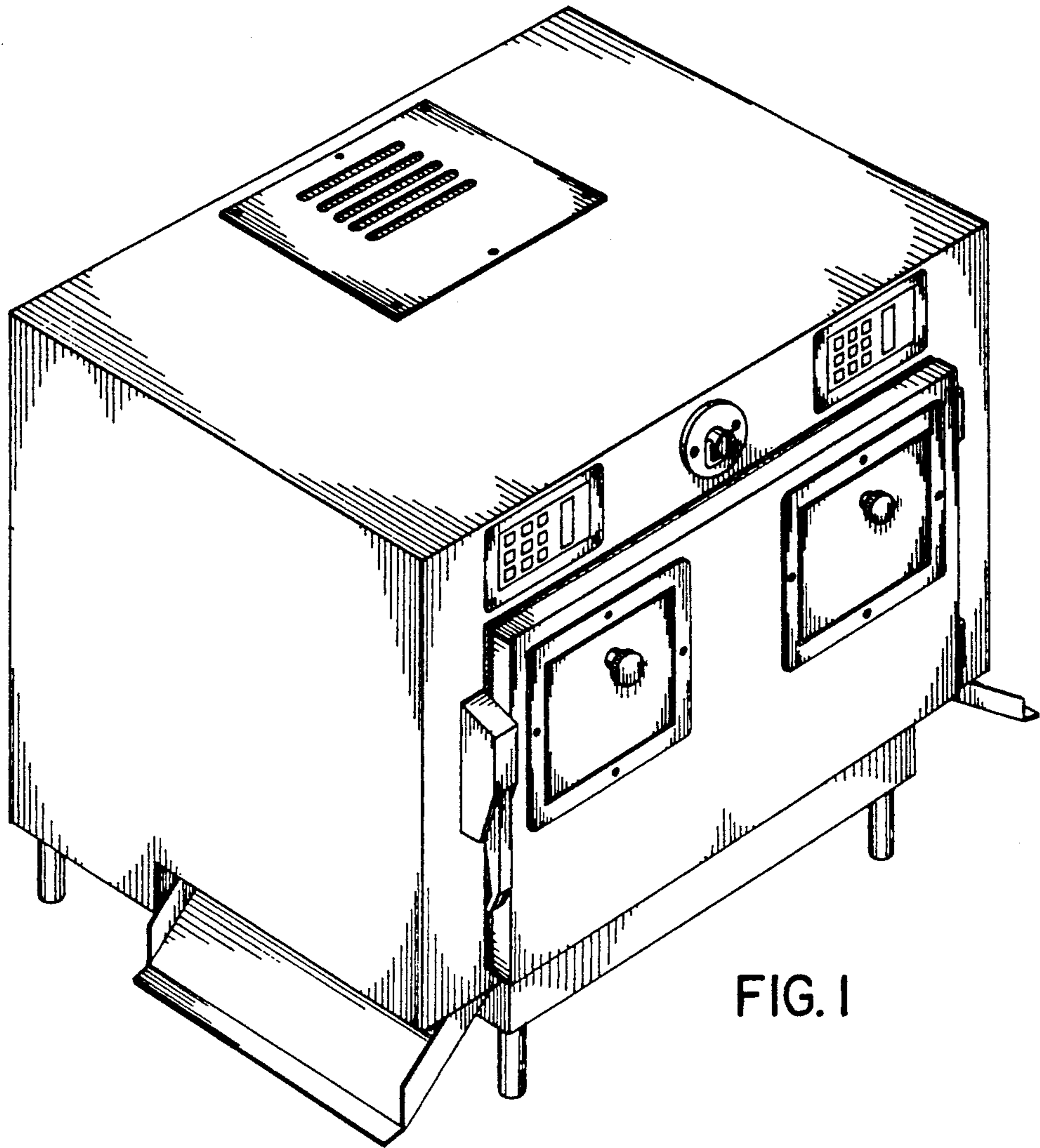


FIG. 1

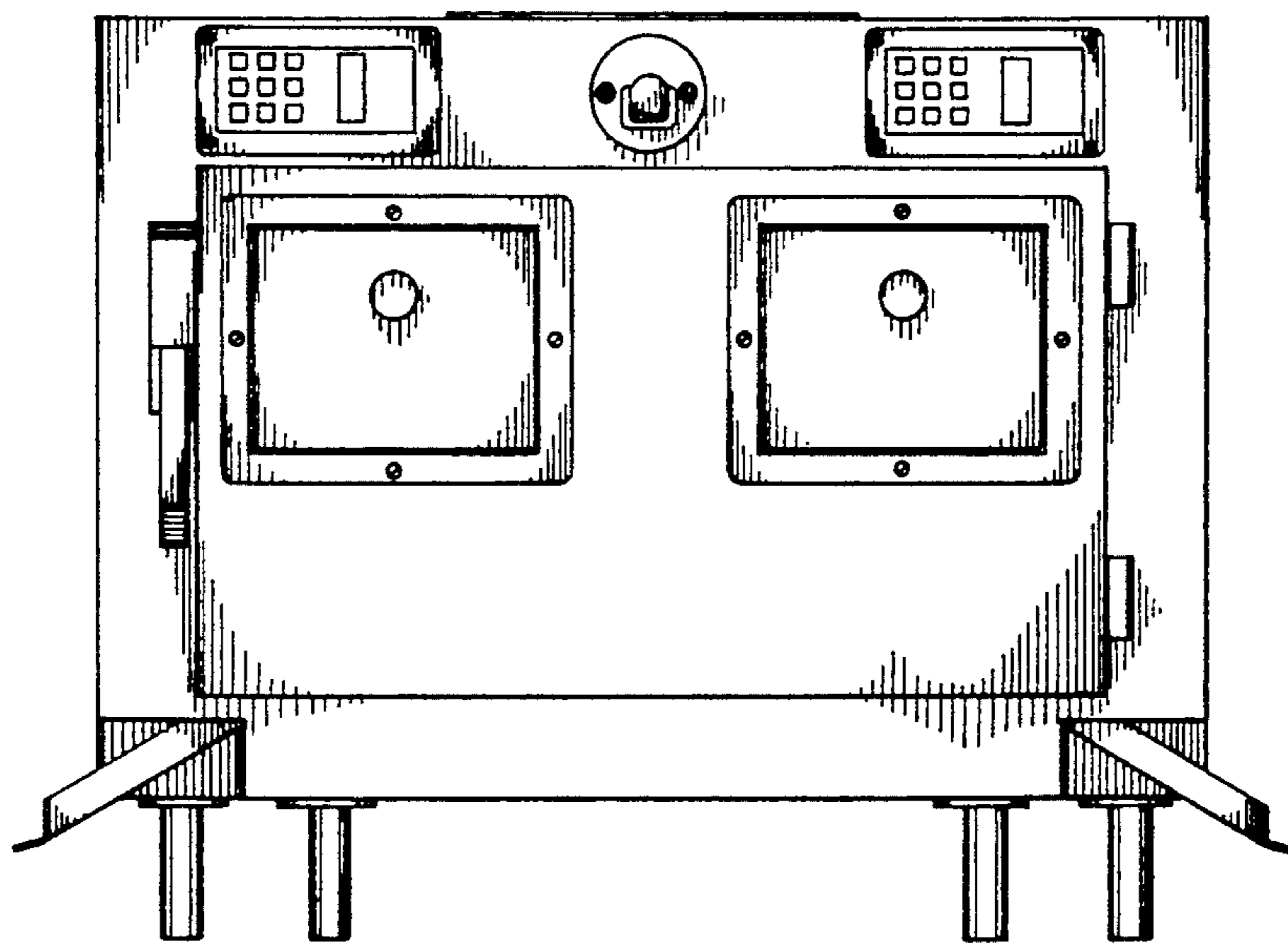


FIG. 2

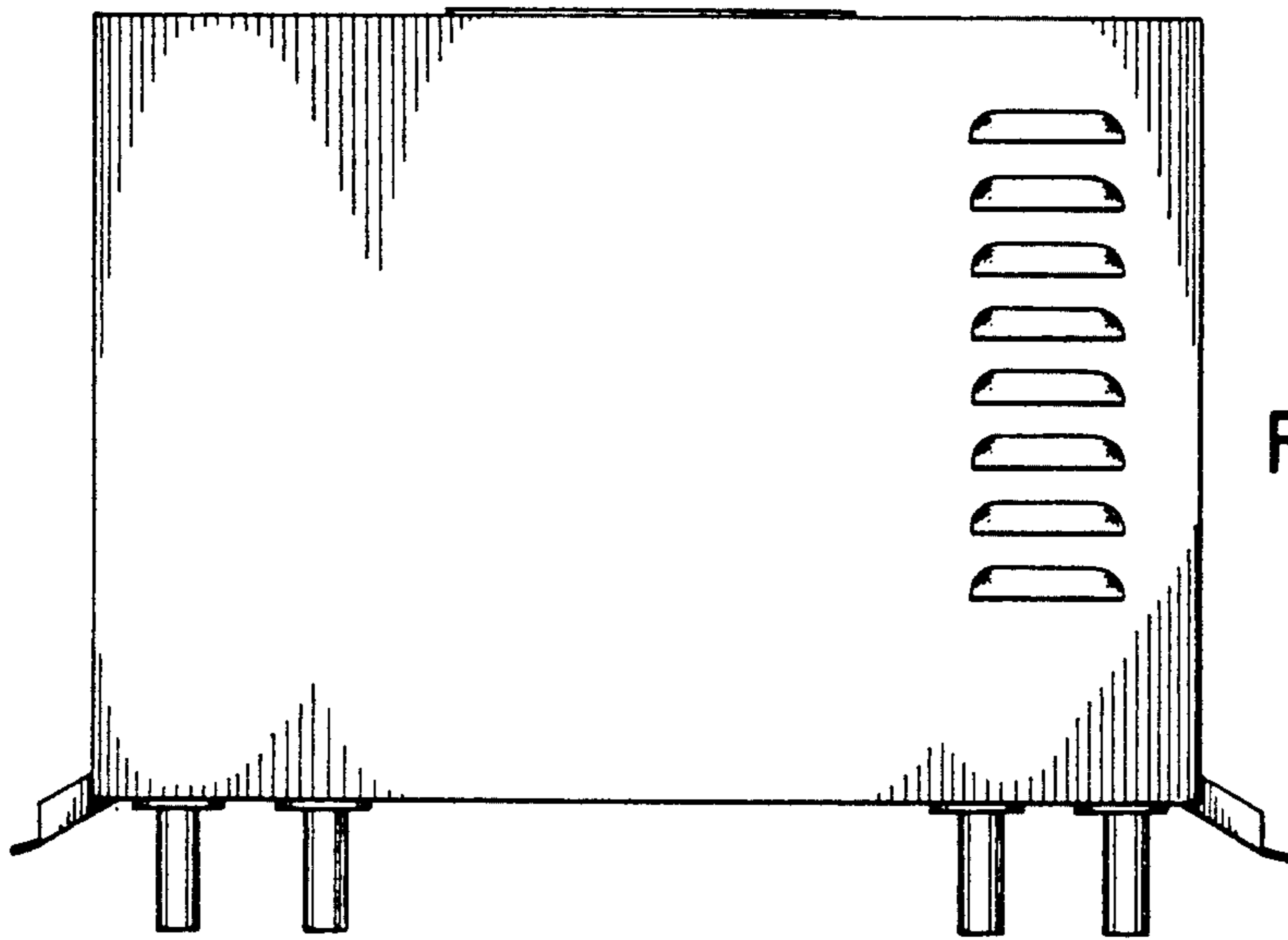


FIG. 3

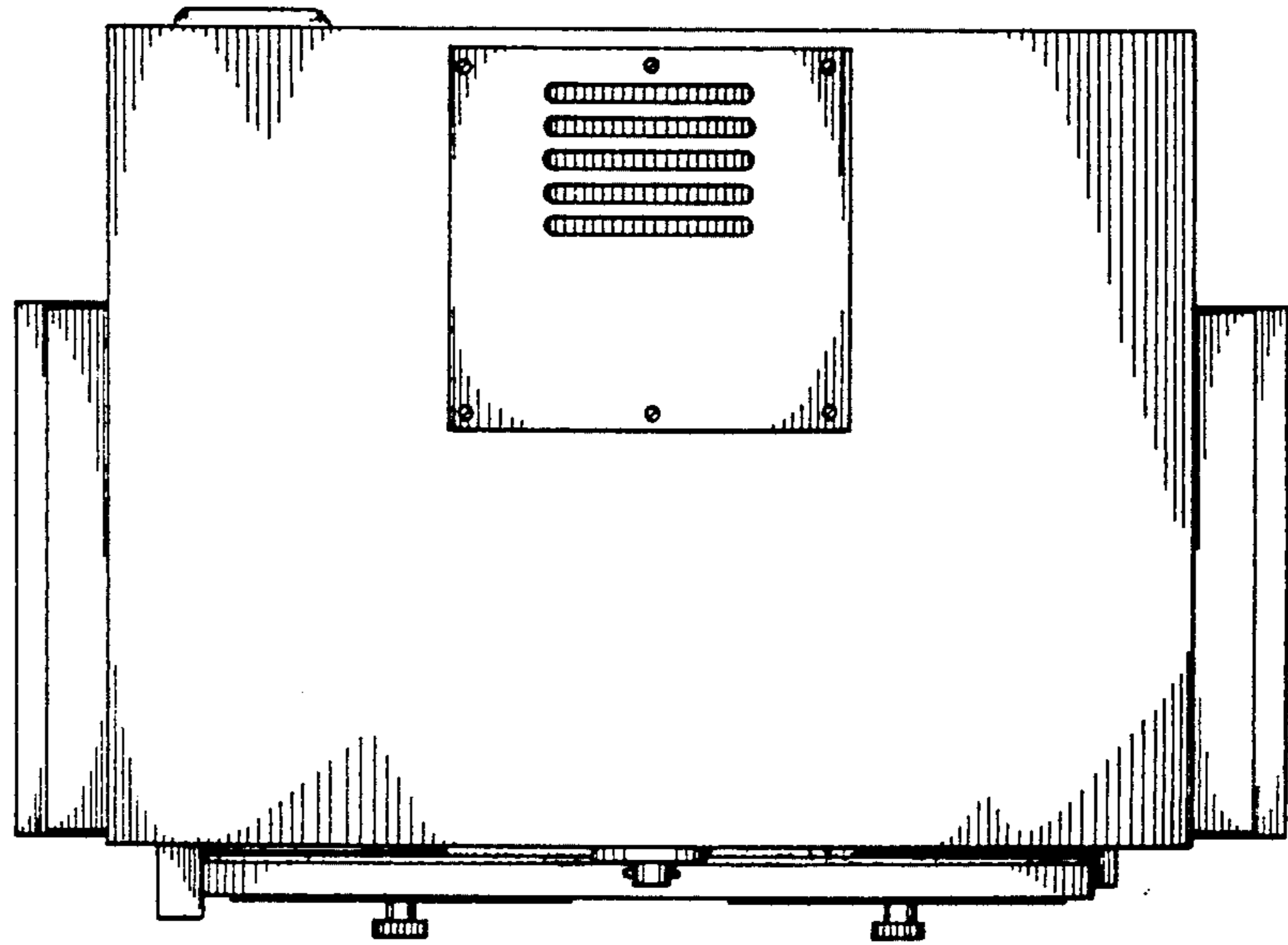


FIG. 4

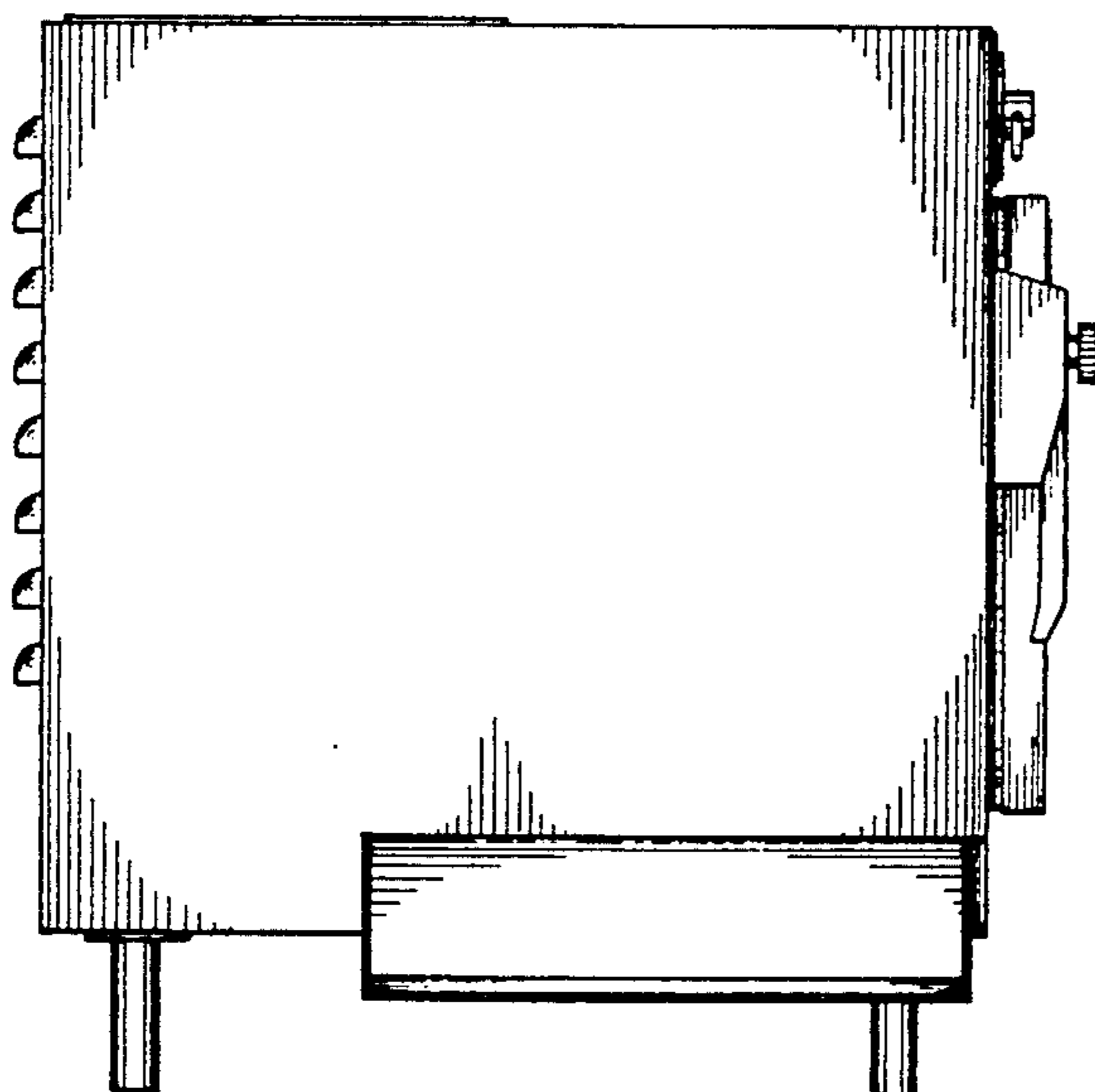


FIG. 5

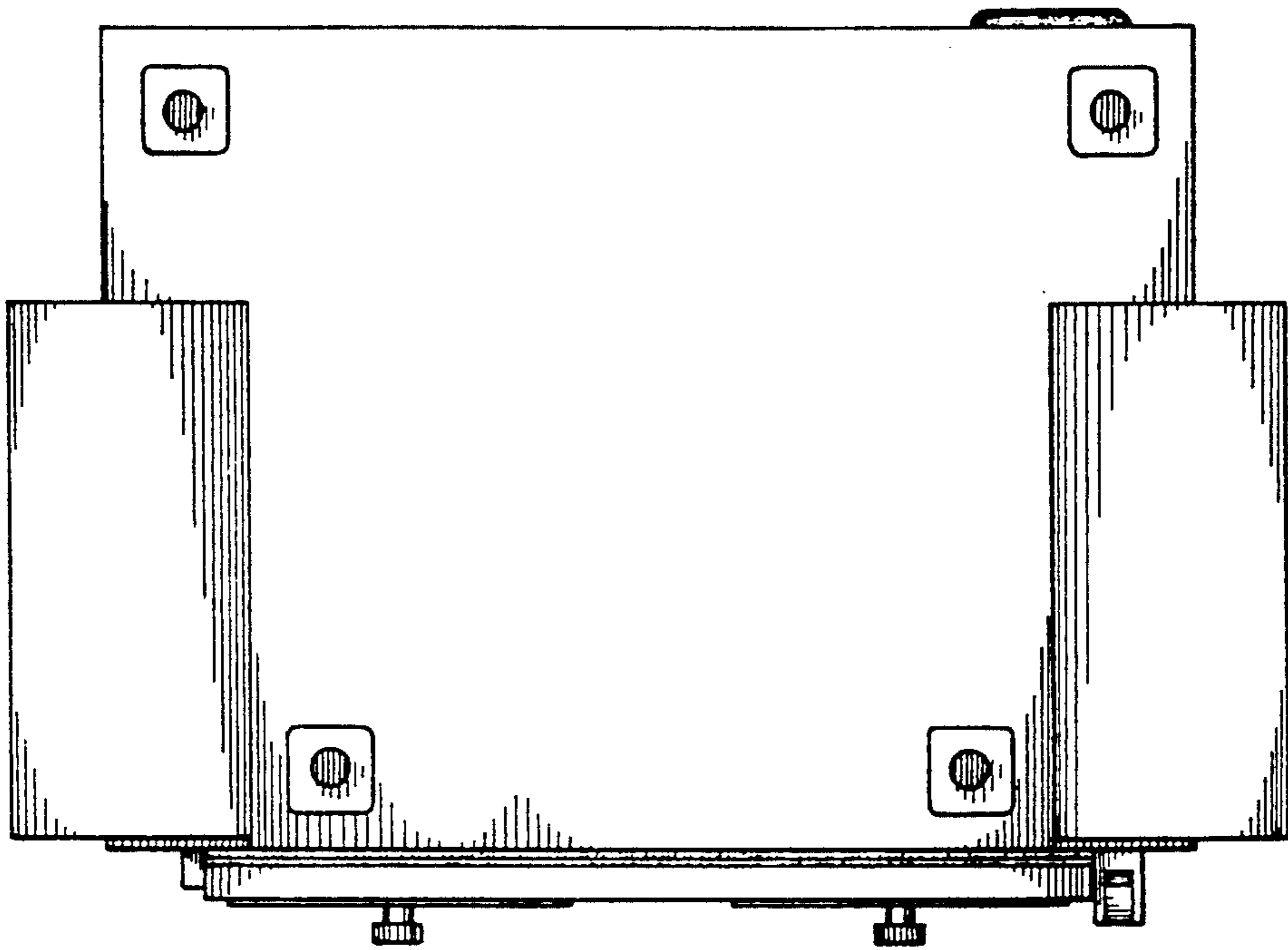


FIG. 6

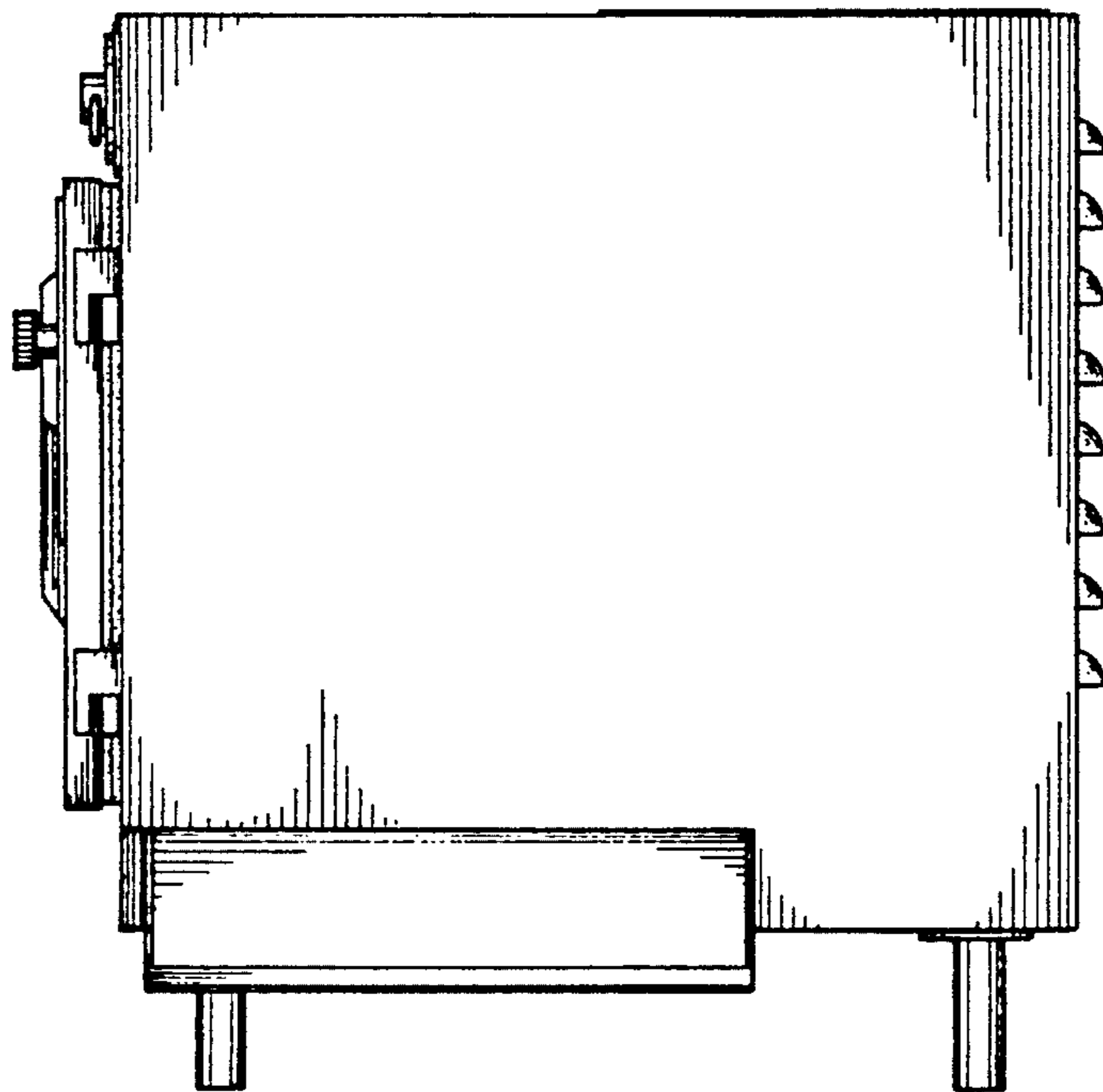


FIG. 7