



US00D341737S

United States Patent [19]
Shepherd

[11] **Patent Number: Des. 341,737**
[45] **Date of Patent: ** Nov. 30, 1993**

[54] **FRONT AND TOP FOR A CABINET**

D. 277,625 2/1985 Hannah D6/422
4,732,430 3/1988 Byrns D6/510 X

[75] **Inventor: Donald A. Shepherd, Spring Lake, Mich.**

[73] **Assignee: Meridian, Inc., Spring Lake, Mich.**

[**] **Term: 14 Years**

[21] **Appl. No.: 694,280**

[22] **Filed: May 1, 1991**

[52] **U.S. Cl. D6/509; D6/492; D6/510**

[58] **Field of Search D6/491-494, D6/509, 510, 422, 432, 446; 312/330.1, 348.1, 348.4, 326**

[56] **References Cited**

U.S. PATENT DOCUMENTS

D. 170,965	12/1953	Claus	D6/446
D. 195,470	6/1963	Knoll	D6/494
D. 200,962	4/1965	McCarthy	D6/494
D. 270,409	9/1983	Hannah	D6/446
D. 276,674	12/1984	Gwathmey et al.	D6/446

OTHER PUBLICATIONS

Business Effic. Aids Inc. ©1985.

Primary Examiner—Nelson C. Holtje

Assistant Examiner—J. E. Seeger

Attorney, Agent, or Firm—William Brinks Olds Hofer

Gilson & Lione

[57] **CLAIM**

The ornamental design for a front and top for a cabinet, as shown and described.

DESCRIPTION

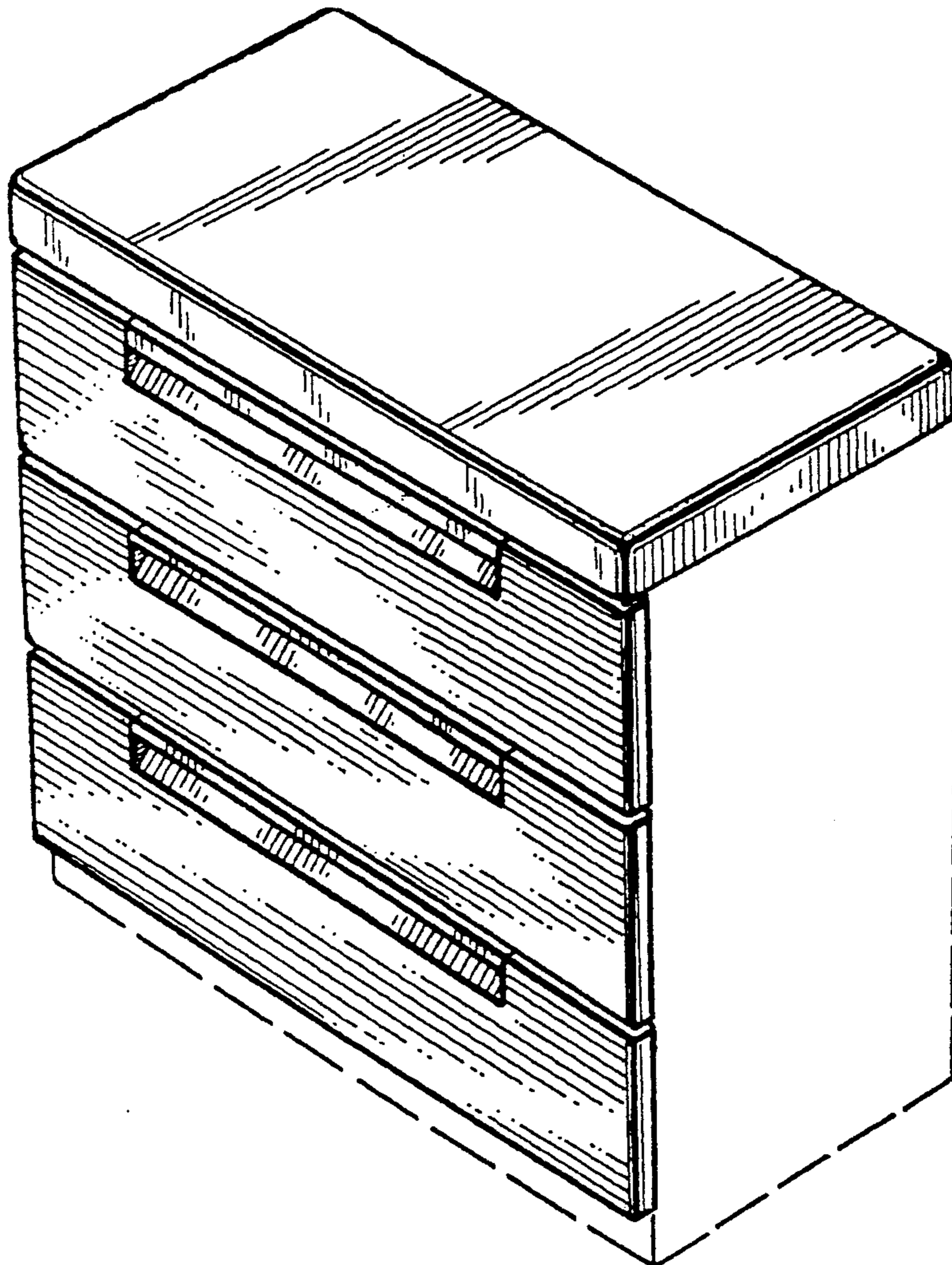
FIG. 1 is a top perspective view of a front and top for a cabinet, showing my new design;

FIG. 2 is a front elevational view;

FIG. 3 is a side elevational view; and,

FIG. 4 is a fragmentary cross-sectional view, taken along line 4—4 in FIG. 2.

The broken lines are for environmental purposes only and form no part of the claimed design.



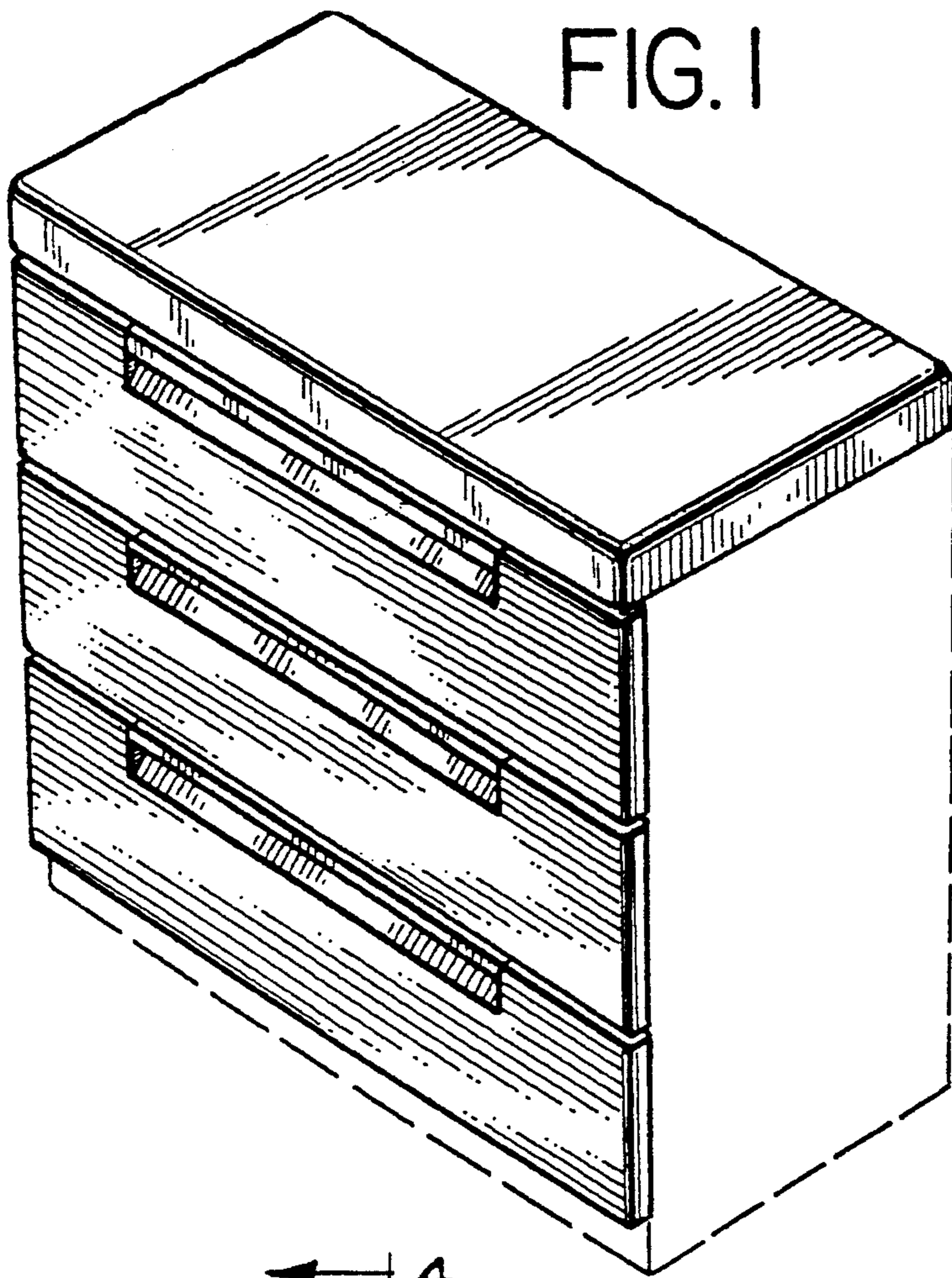
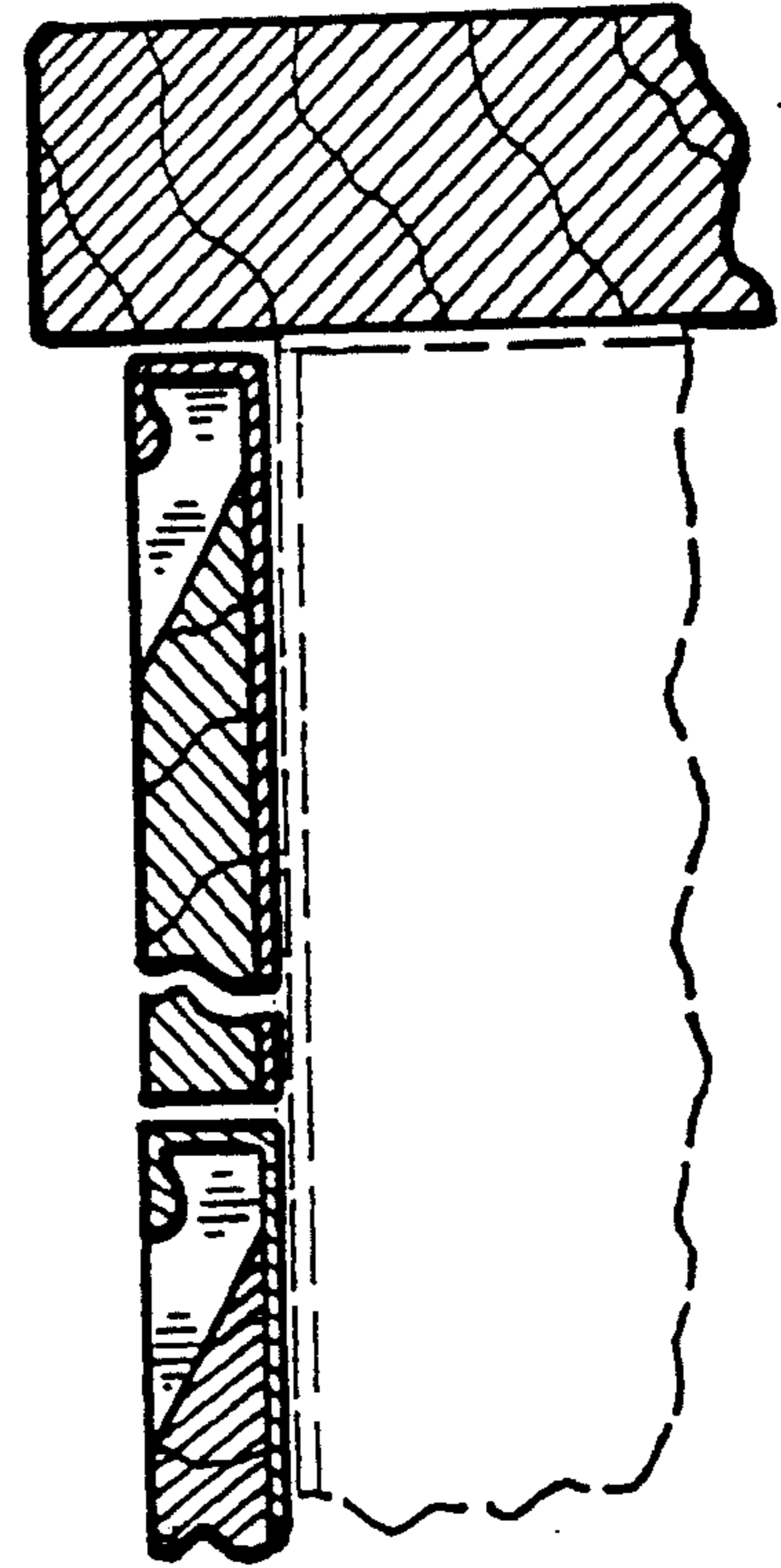


FIG. 4



← 4.

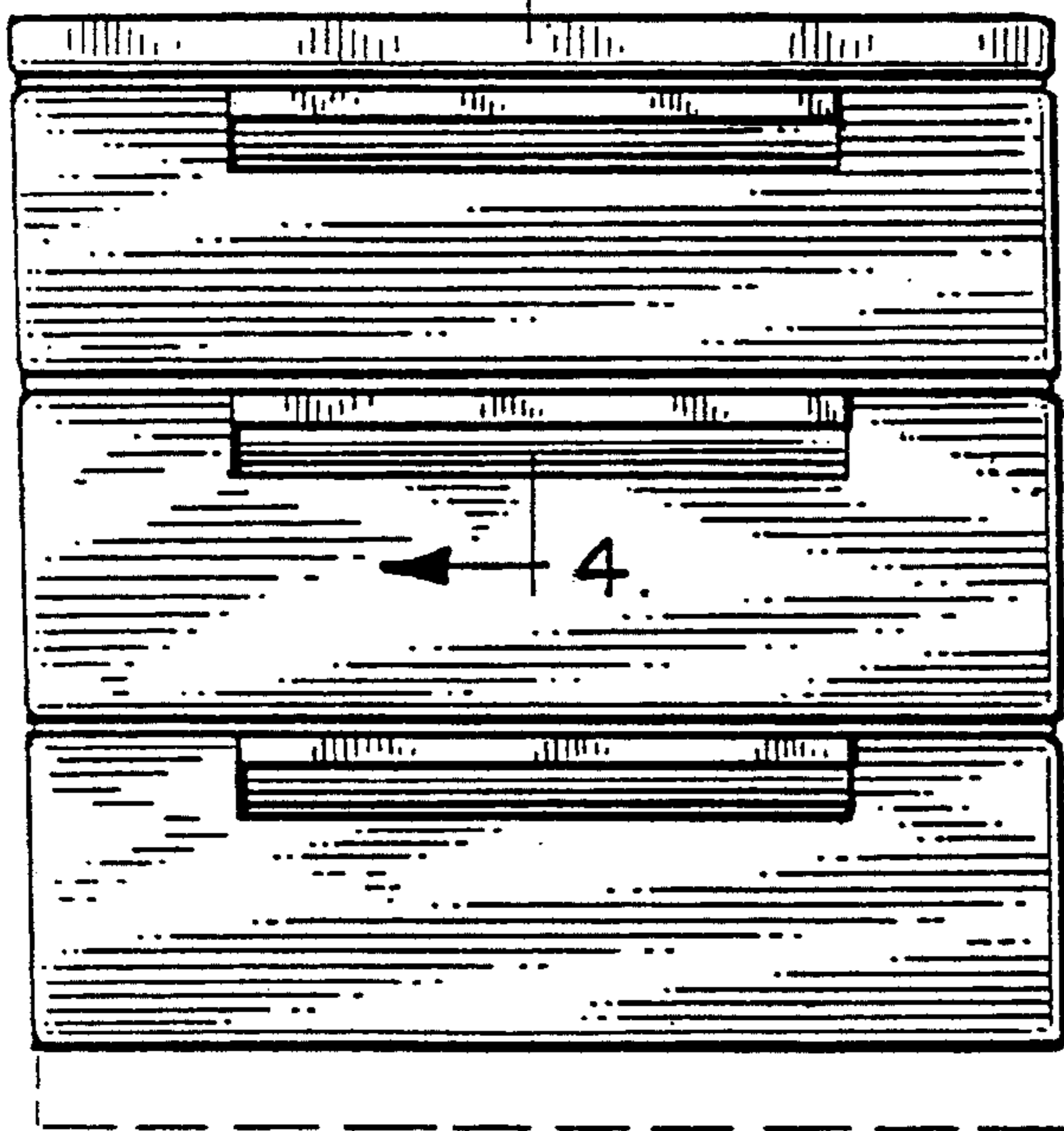


FIG. 2

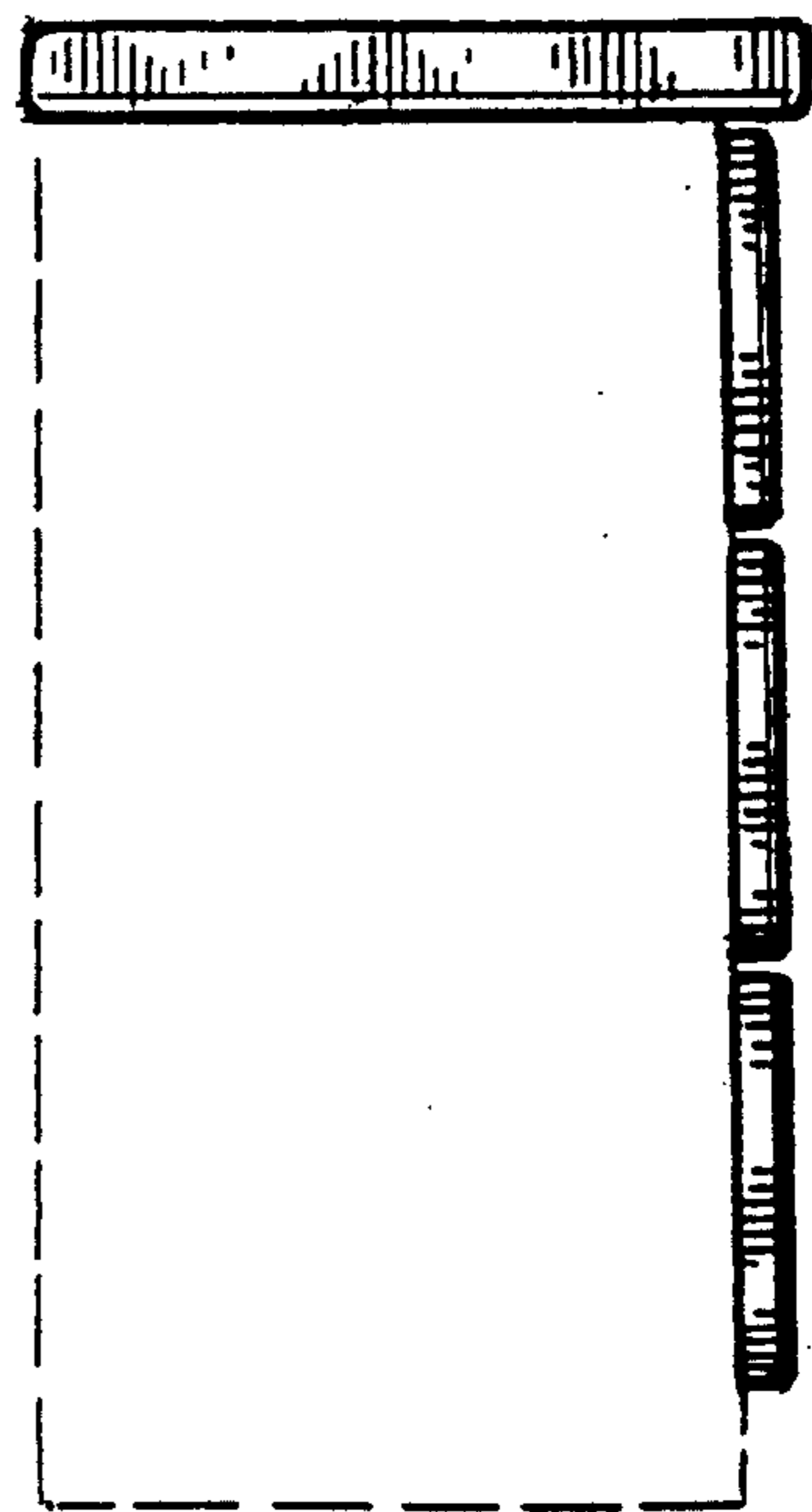


FIG. 3