



US00D341736S

United States Patent [19]
McDonald

[11] **Patent Number: Des. 341,736**

[45] **Date of Patent: ** Nov. 30, 1993**

[54] **SEAT CUSHION**

[75] **Inventor: Jack D. McDonald, Pensacola, Fla.**

[73] **Assignee: Florida Foam Fabricators, Inc.,
Pensacola, Fla.**

[**] **Term: 14 Years**

[21] **Appl. No.: 897,974**

[22] **Filed: Jun. 15, 1992**

[52] **U.S. Cl. D6/502; D6/333;
D6/601**

[58] **Field of Search D6/331, 333, 334, 596,
D6/601, 604, 500-502; 297/195, 250, 270, 464,
458, 488, DIG. 1; 5/652, 653, 655; D12/129**

[56] **References Cited**

U.S. PATENT DOCUMENTS

D. 231,875	6/1974	Miller	D6/333	X
D. 296,048	6/1988	Eie	D6/502	X
D. 318,923	8/1991	Marsh	D6/601	X

D. 322,722	12/1991	Cheney et al.	D6/333
D. 327,389	6/1992	Flores et al.	D6/601
4,824,174	4/1989	Dunn, Sr.	5/653
4,835,801	6/1989	Walpin et al.	5/652

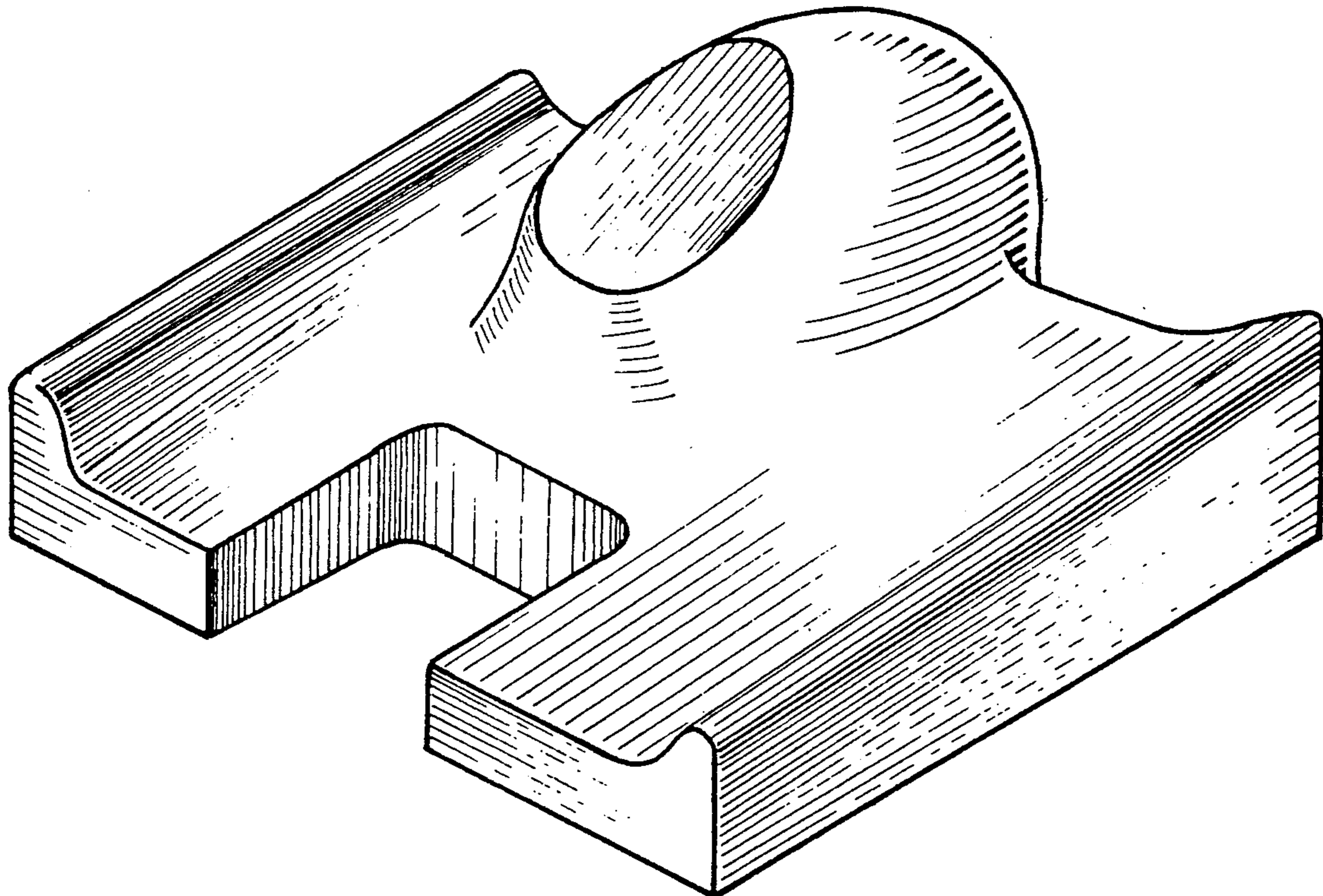
Primary Examiner—Nelson C. Holtje
Assistant Examiner—J. E. Seeger
Attorney, Agent, or Firm—George A. Bode

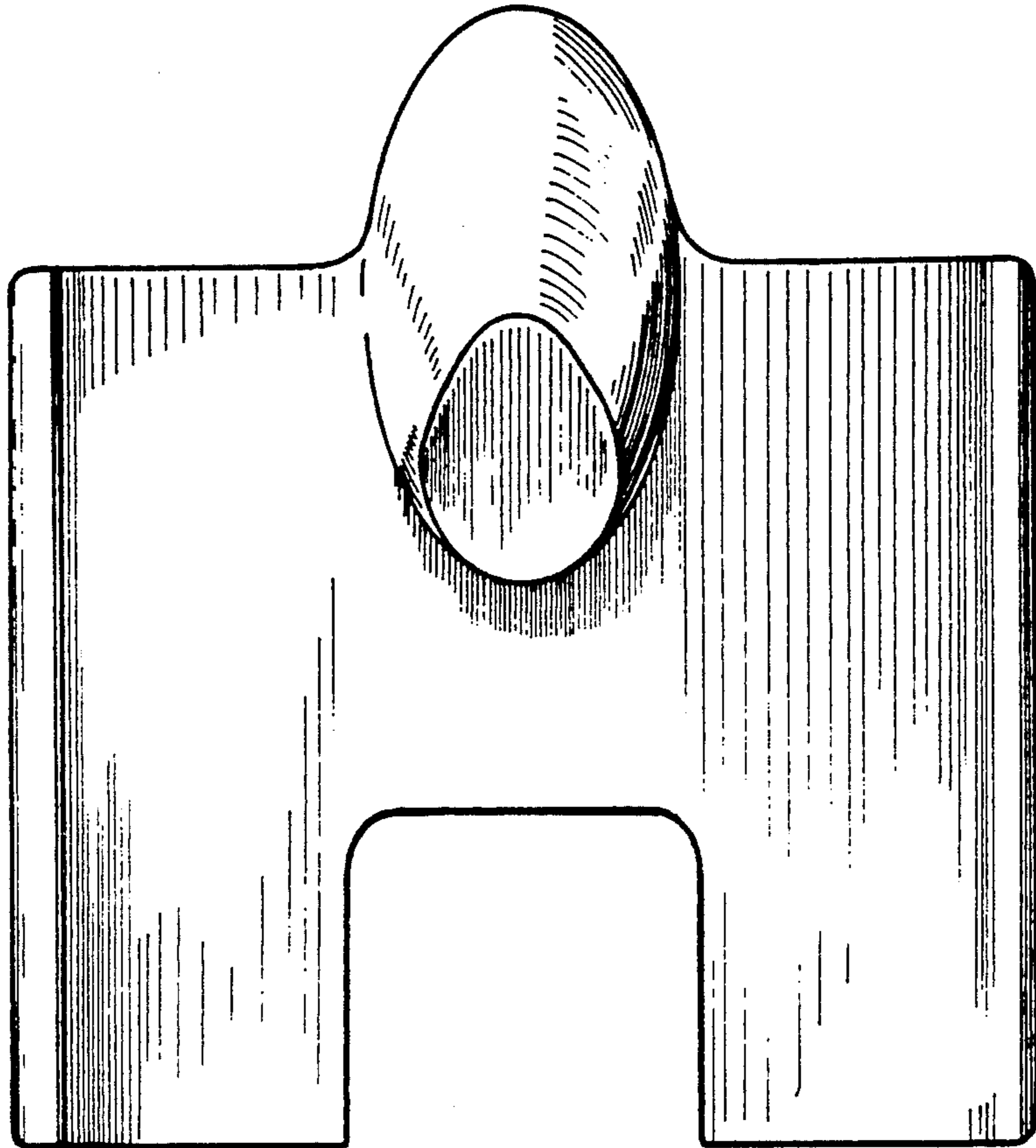
[57] **CLAIM**

The ornamental design for a seat cushion, as shown and described.

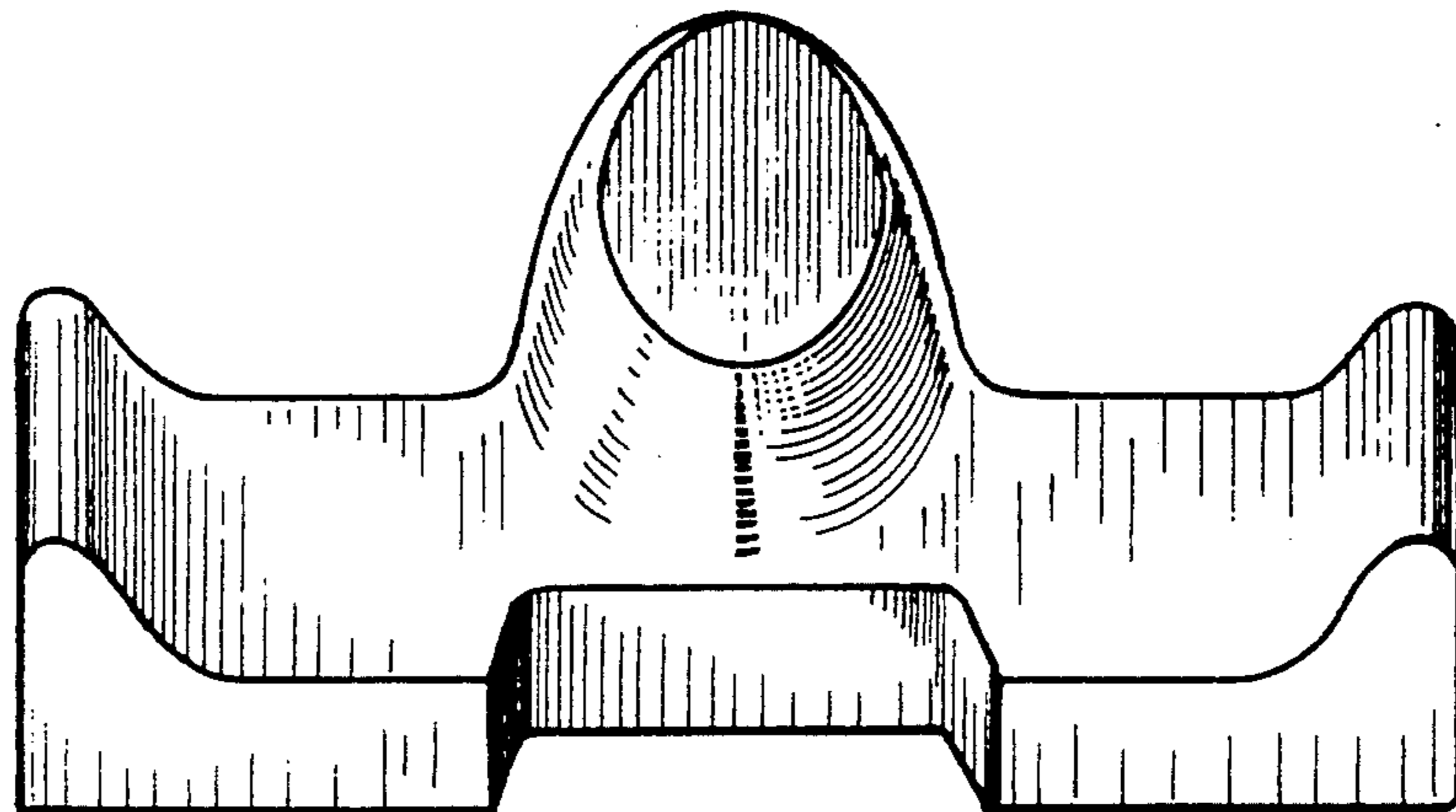
DESCRIPTION

FIG. 1 is a top plan view of a seat cushion showing my new design;
FIG. 2 is a rear elevational view thereof;
FIG. 3 is a left side elevational view thereof;
FIG. 4 is a right side elevational view thereof;
FIG. 5 is a front elevational view thereof;
FIG. 6 is a bottom plan view thereof; and,
FIG. 7 is a perspective view thereof.





F I G . 1



F I G . 2

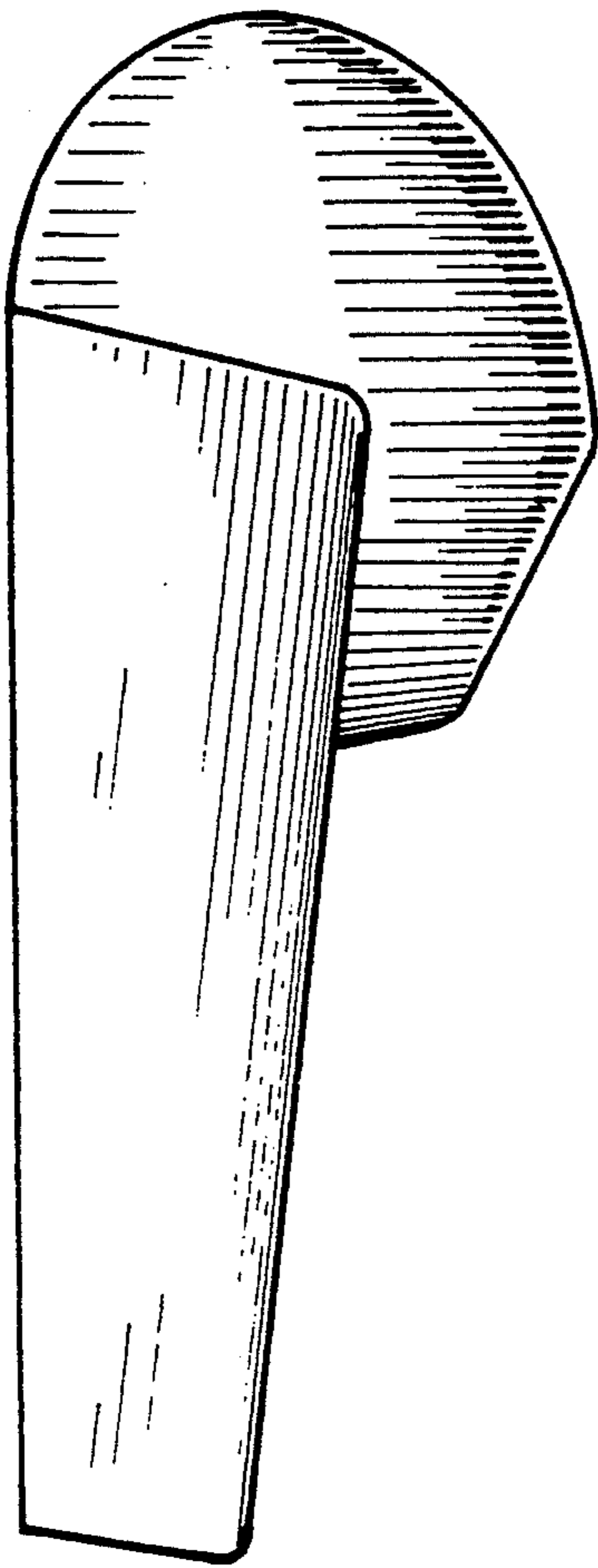


FIG. 3

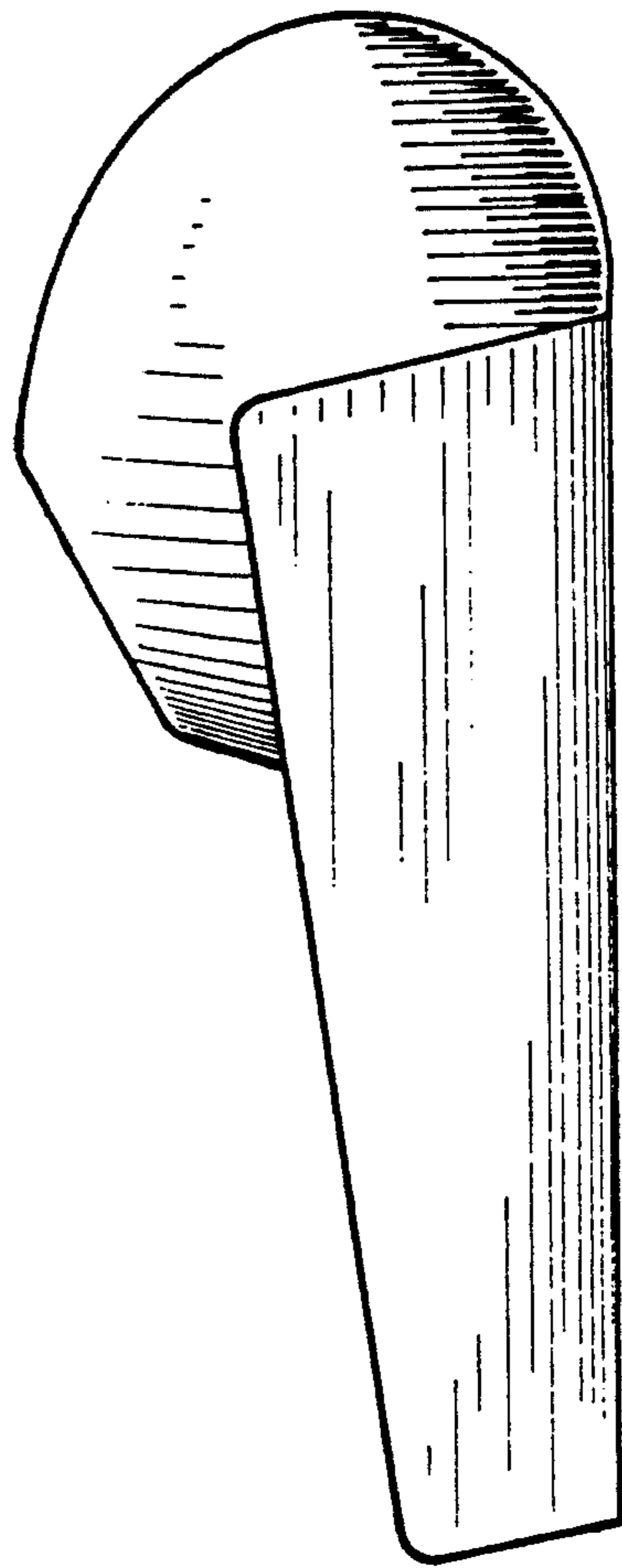


FIG. 4

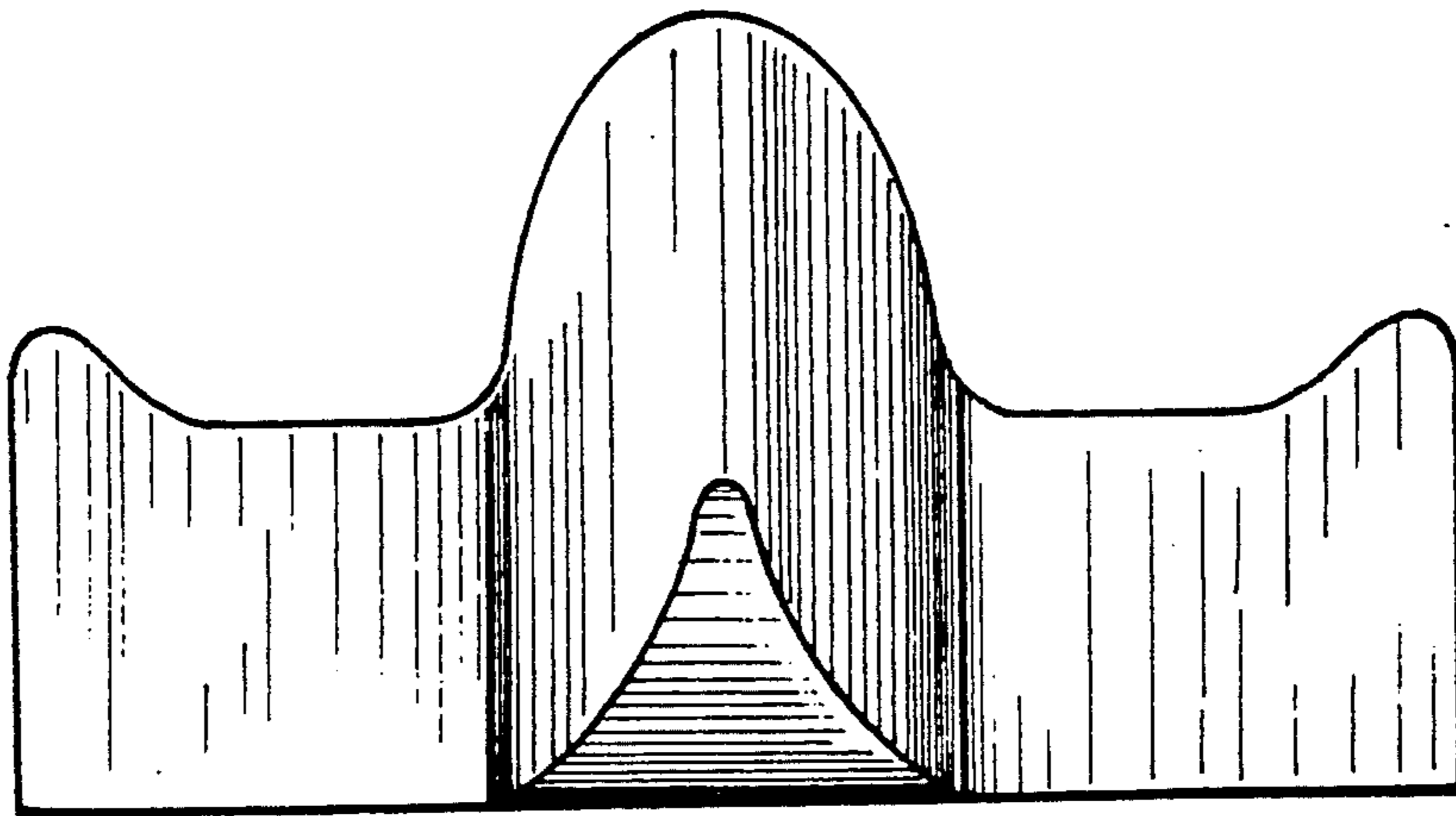


FIG. 5

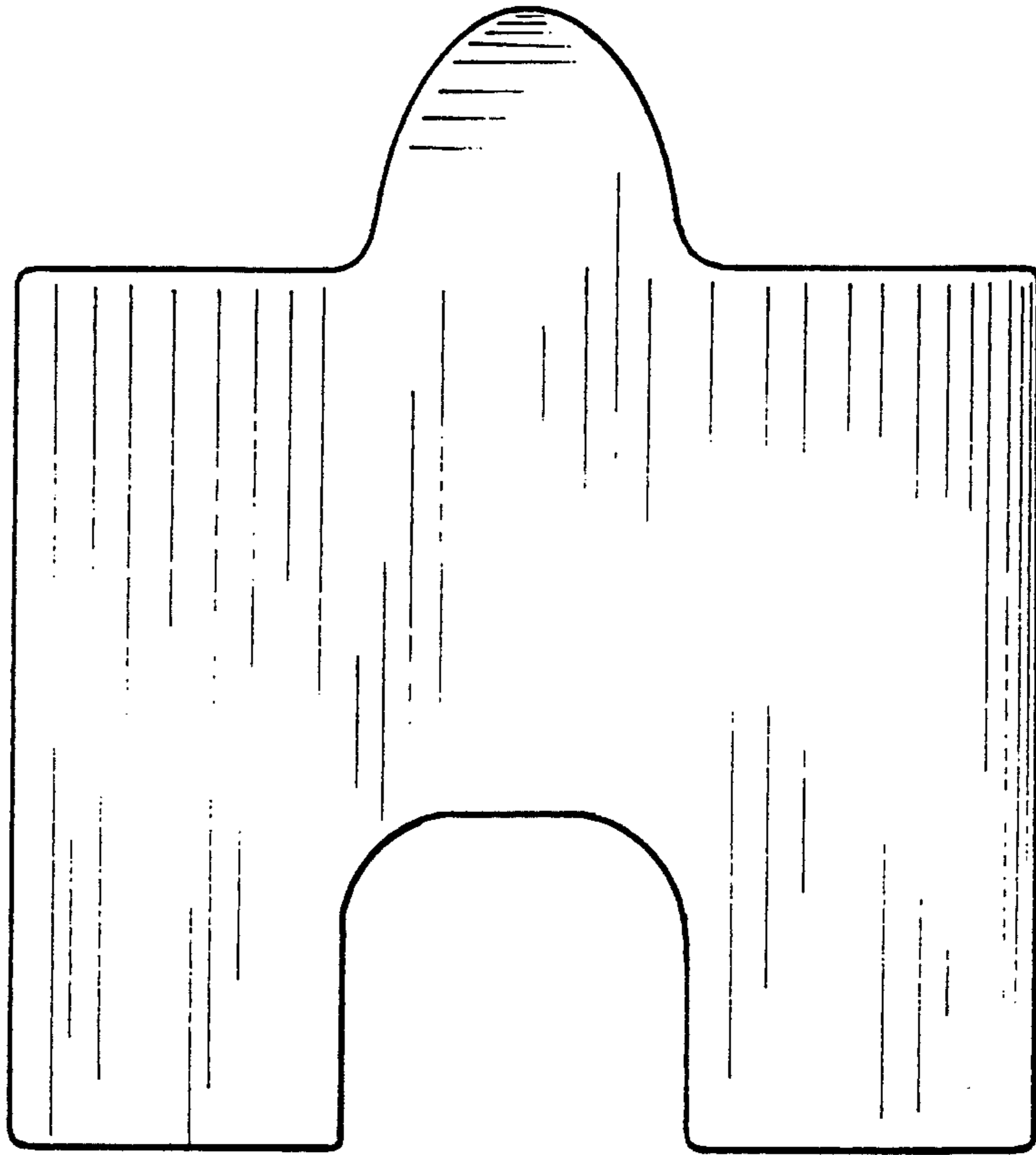


FIG. 6

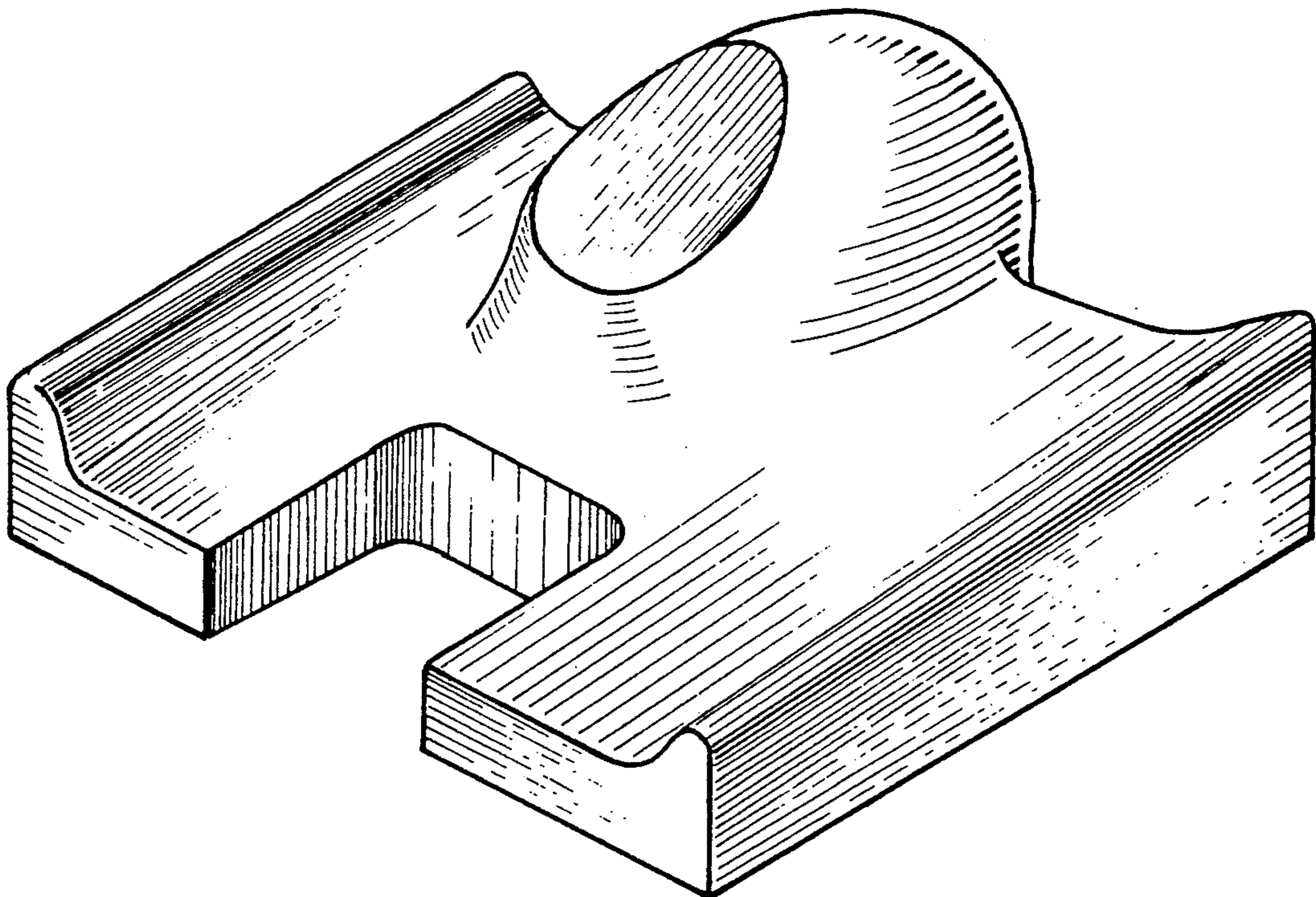


FIG. 7