



US00D341734S

# United States Patent [19]

[11] Patent Number: **Des. 341,734**

Ortiz

[45] Date of Patent: **\*\* Nov. 30, 1993**

[54] **AUTOMOBILE SLEEPER HEADREST**

4,489,979 12/1984 Zyngier ..... 297/391

[76] Inventor: **Edward A. Ortiz**, 22519 Clarendon St., Woodland Hills, Calif. 91367

*Primary Examiner*—Alan P. Douglas  
*Assistant Examiner*—Monica A. Hannon  
*Attorney, Agent, or Firm*—S. Michael Bender

[\*\*] Term: **14 Years**

[21] Appl. No.: **669,199**

[57] **CLAIM**

[22] Filed: **Mar. 14, 1991**

The ornamental design for a automobile sleeper headrest, as shown and described.

[52] U.S. Cl. .... **D6/501**

[58] Field of Search ..... D6/501; 5/661; 297/DIG. 1, 250, 391, 409, 410

**DESCRIPTION**

[56] **References Cited**

**U.S. PATENT DOCUMENTS**

2,629,428	2/1953	Luketa	.....	297/409	X
2,661,050	12/1953	Felter	.....	297/391	X
3,429,615	2/1969	Belk	.....	297/410	
4,042,791	8/1977	Wiseman	.....	297/391	X

FIG. 1 is a front elevational view of the automobile sleeper headrest showing my new design; FIG. 2 is a rear elevational view thereof; FIG. 3 is a left side elevational view thereof; FIG. 4 is a right side elevational view thereof; FIG. 5 is a top plan view thereof; FIG. 6 is a bottom plan view thereof; and, FIG. 7 is a perspective view thereof.

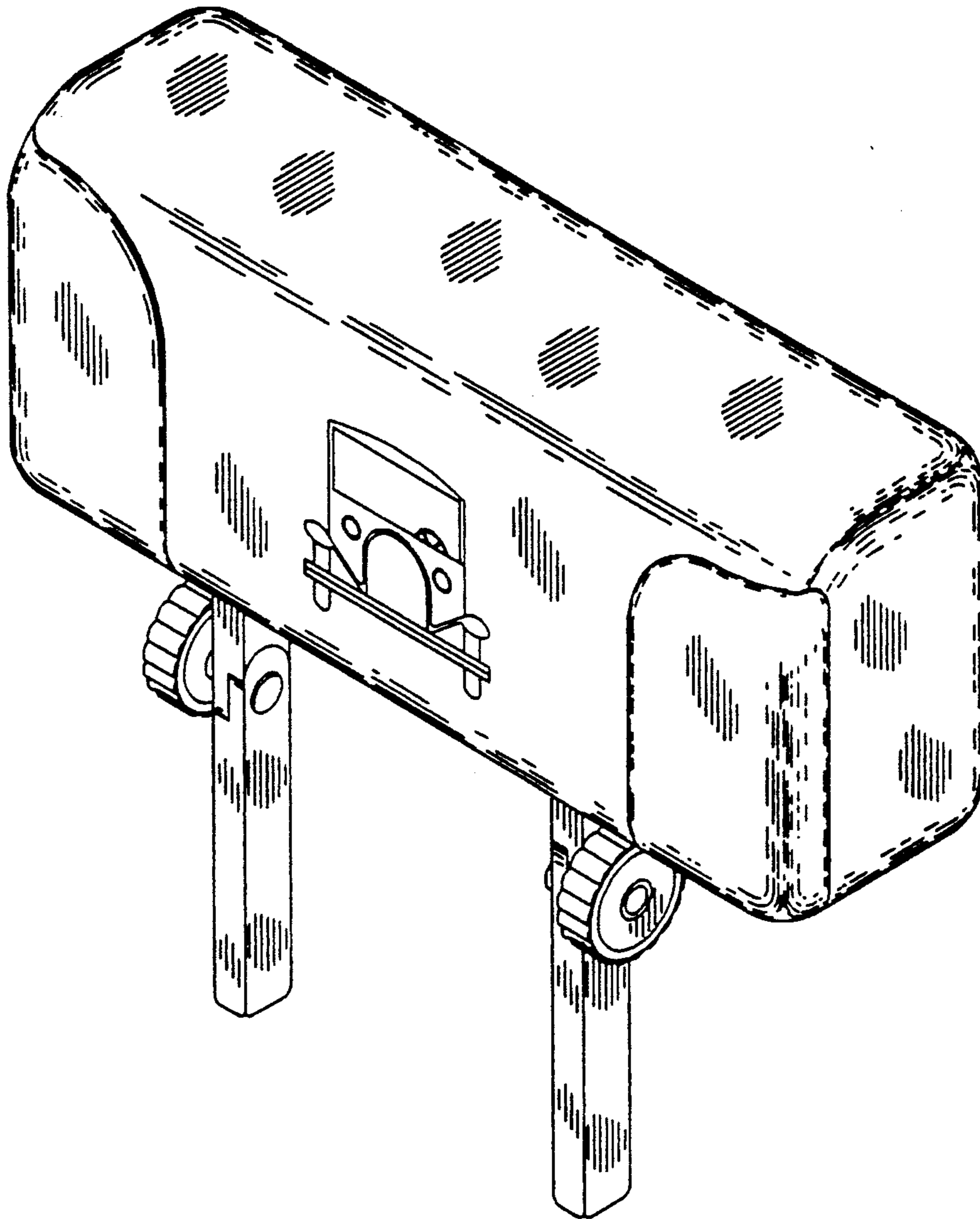


FIG. 1

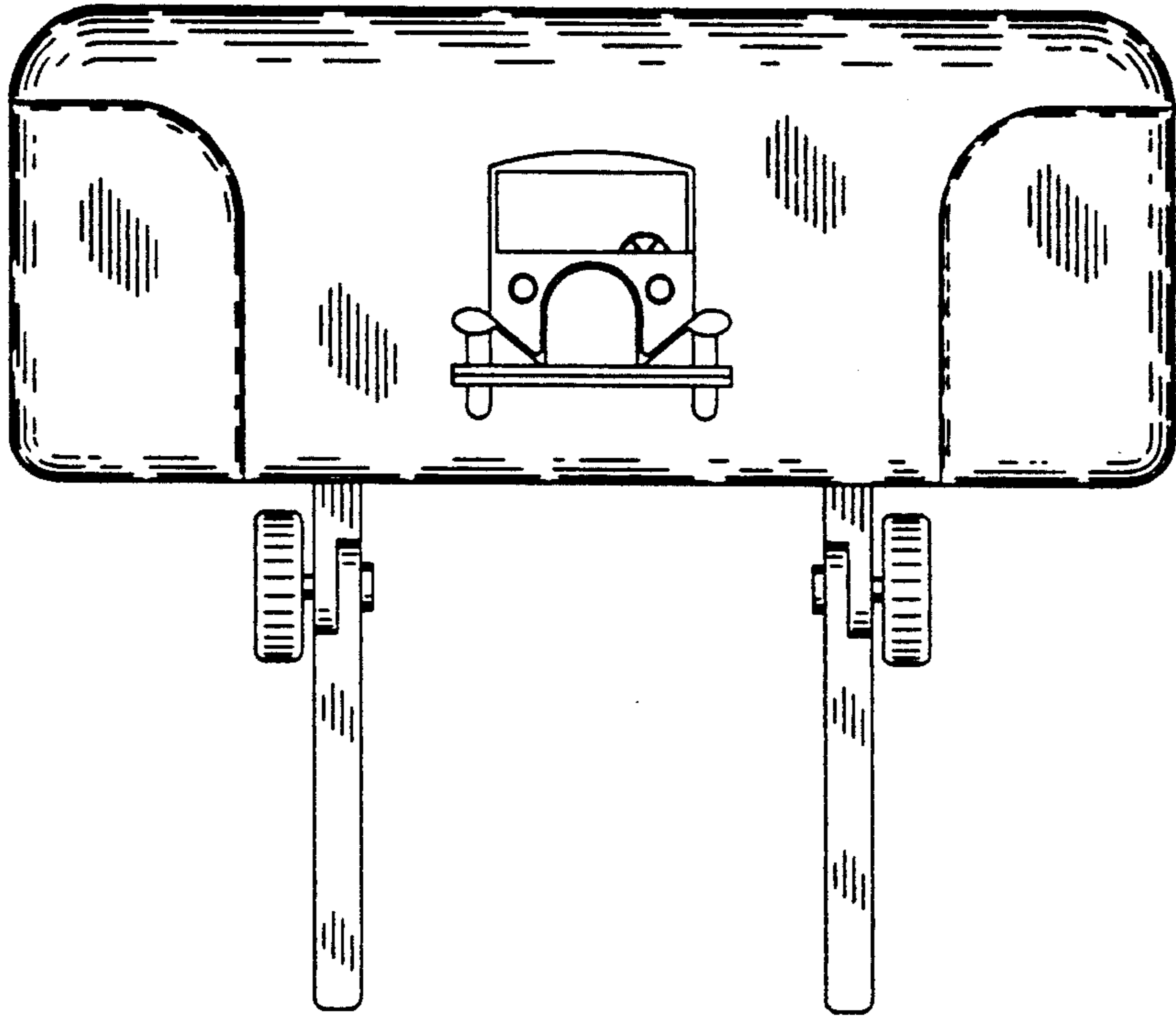


FIG. 2

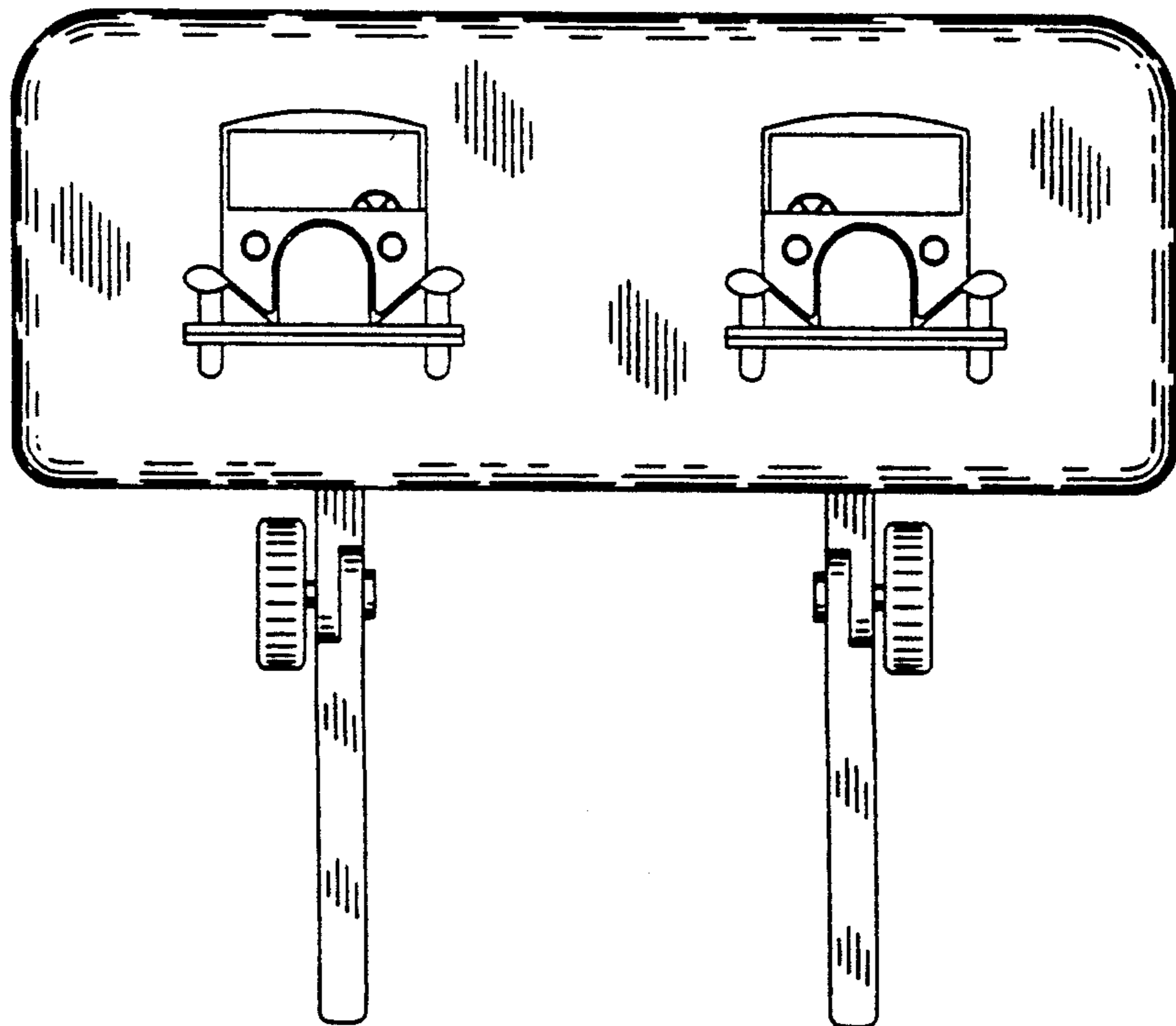


FIG. 3

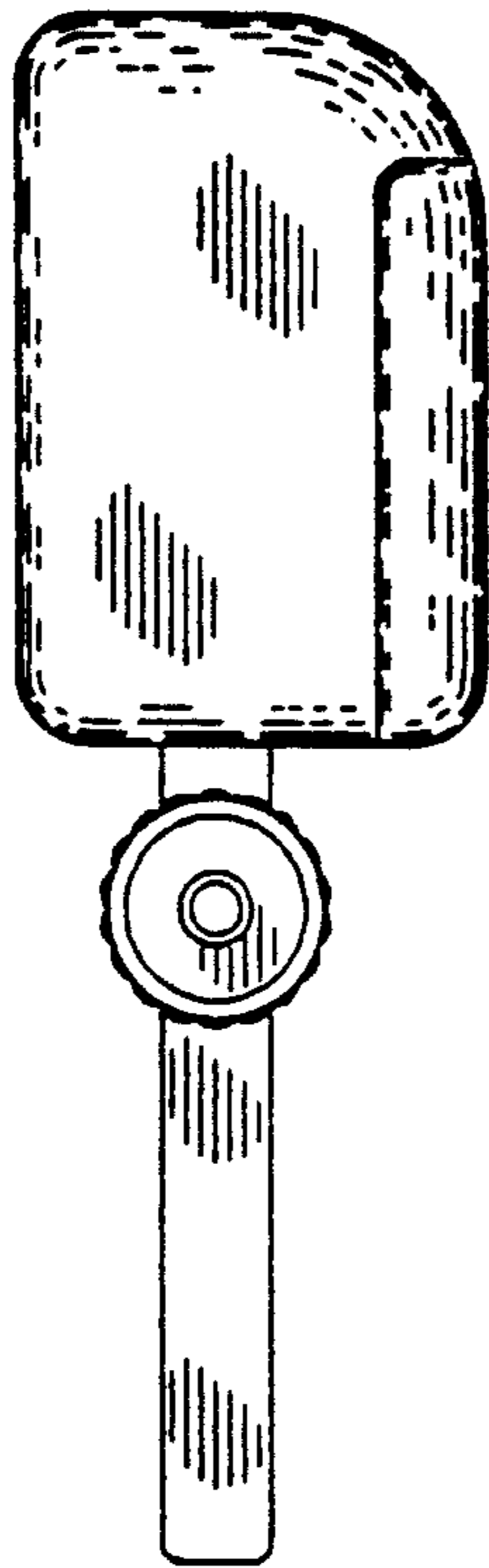
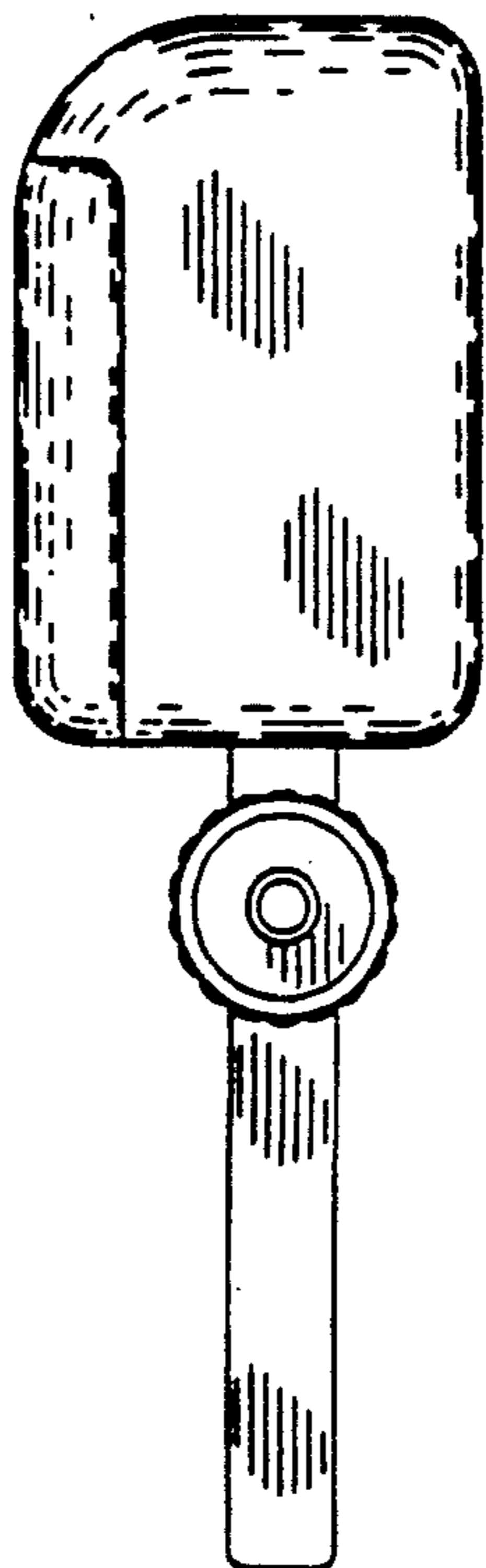
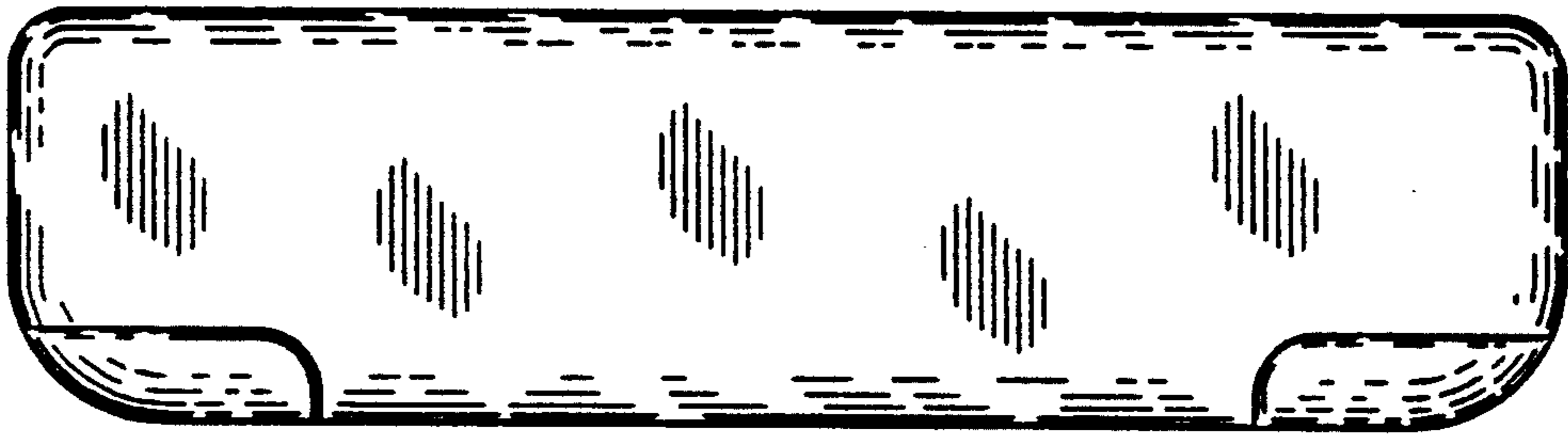


FIG. 4



*FIG. 5*



*FIG. 6*



FIG. 7

