



US00D341731S

United States Patent [19]

[11] Patent Number: **Des. 341,731**

Ferguson

[45] Date of Patent: **** Nov. 30, 1993**

[54] TABLE

[75] Inventor: **Darrell C. Ferguson, Charleston, S.C.**

[73] Assignee: **Lineage Home Furnishings, Inc., High Point, N.C.**

[**] Term: **14 Years**

[21] Appl. No.: **884,586**

[22] Filed: **May 18, 1992**

[52] U.S. Cl. **D6/484; D6/452**

[58] Field of Search **D6/480, 482-489, D6/495, 497-499, 450-453, 511, 349, 338; 108/153, 156, 161**

[56] **References Cited**

U.S. PATENT DOCUMENTS

D. 80,024	12/1929	Ekvall	D6/480 X
D. 152,333	1/1949	Foulke	D6/348 X
D. 180,432	6/1957	Welter	D6/338
D. 294,318	2/1988	Zapf	D6/484

OTHER PUBLICATIONS

Spiegel-Fall/Winter, 1985, p. 368, item "H"-Planter w/Iron heads on legs.

Et Cetera-by Drexel 1977, p. 38 table 582-235 at top & left.

Et Cetera by Drexel ©1986, p. 28, Game Table.

Primary Examiner—Nelson C. Holtje

Assistant Examiner—J. E. Seeger

Attorney, Agent, or Firm—Edgar A. Zarins; Malcolm L. Sutherland

[57] CLAIM

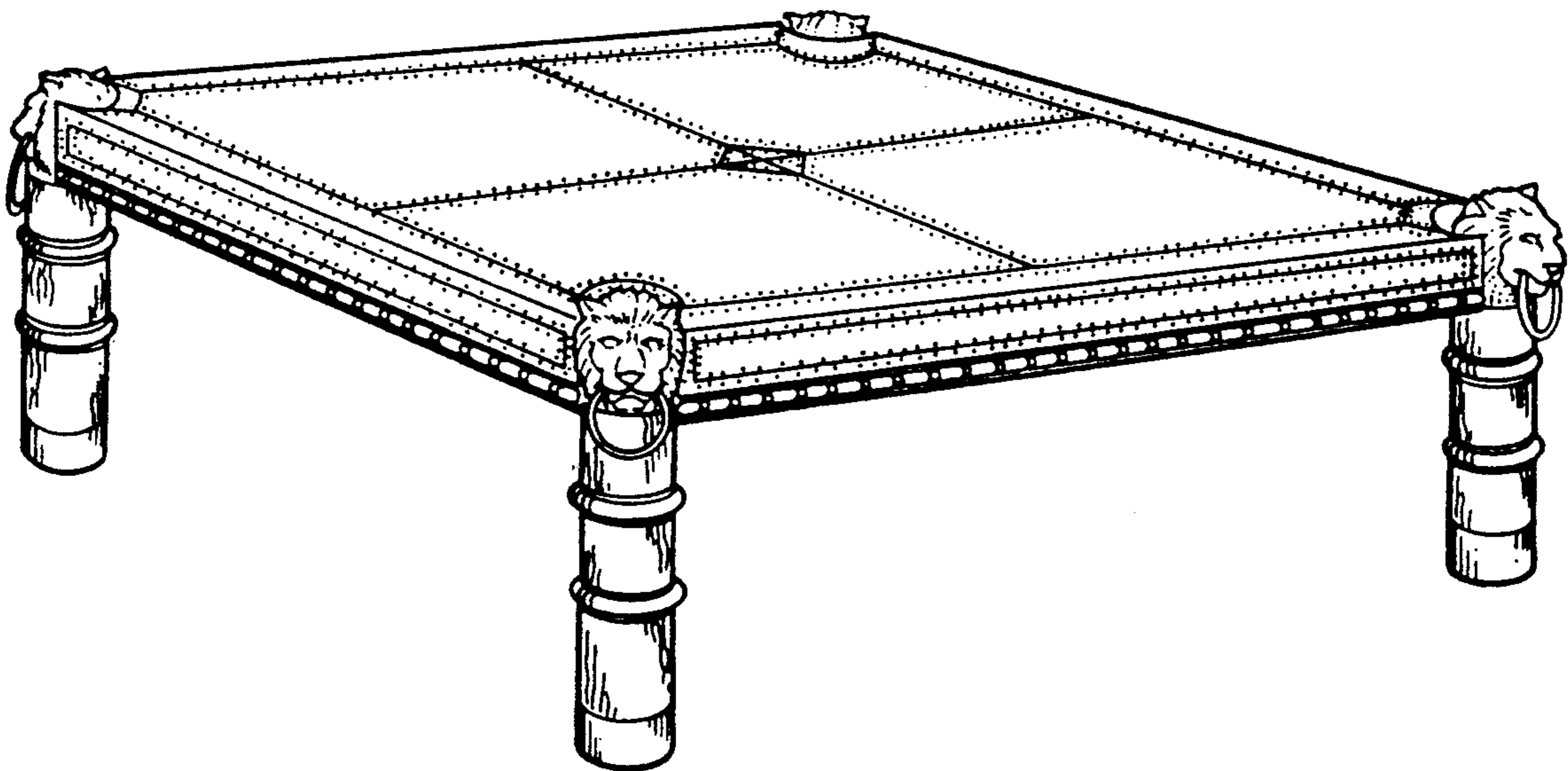
The ornamental design for a table, as shown and described.

DESCRIPTION

FIG. 1 is a perspective view of a table showing my new design;

FIG. 2 is a side plan view thereof, the other sides being a mirror image of the side shown; and,

FIG. 3 is a top plan view thereof.



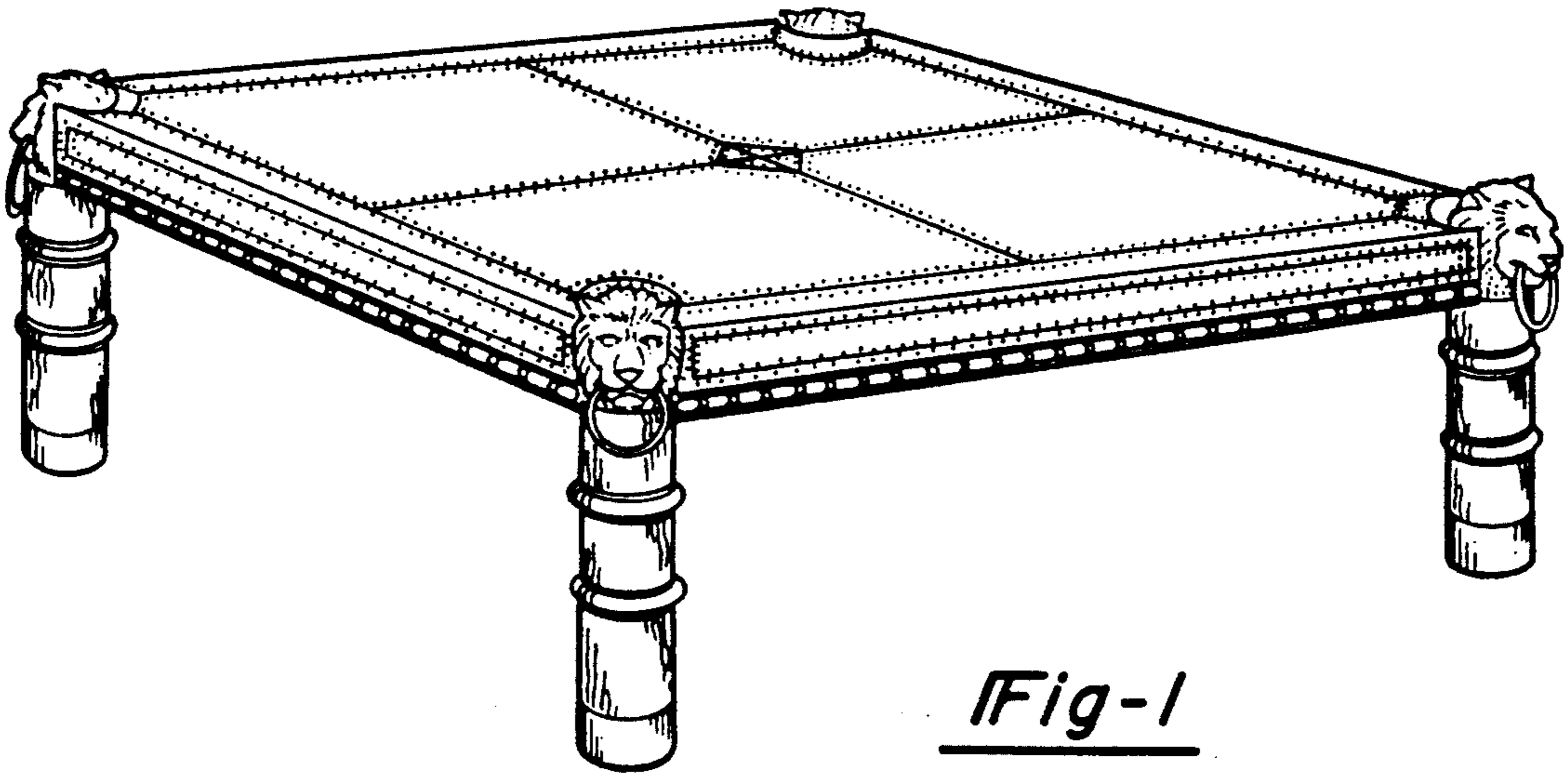


Fig-1

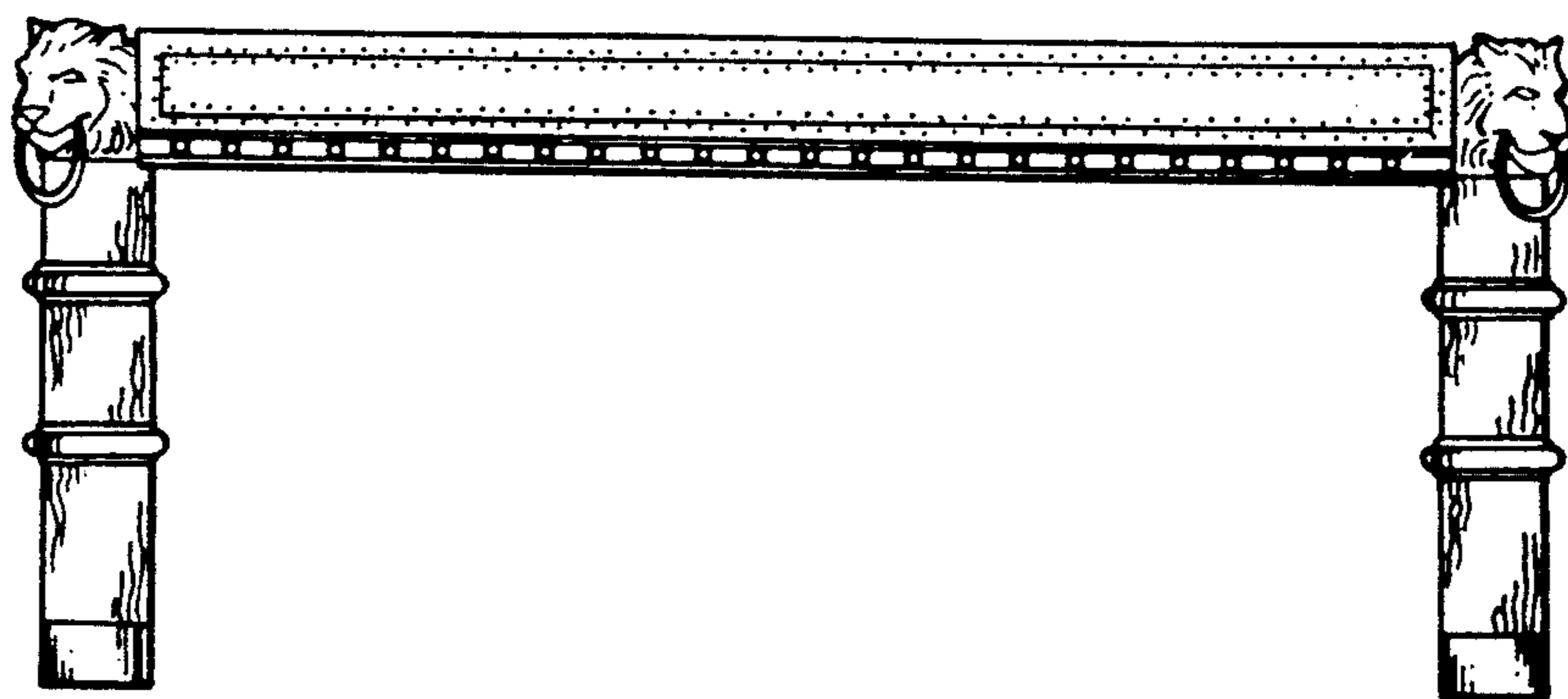


Fig-2

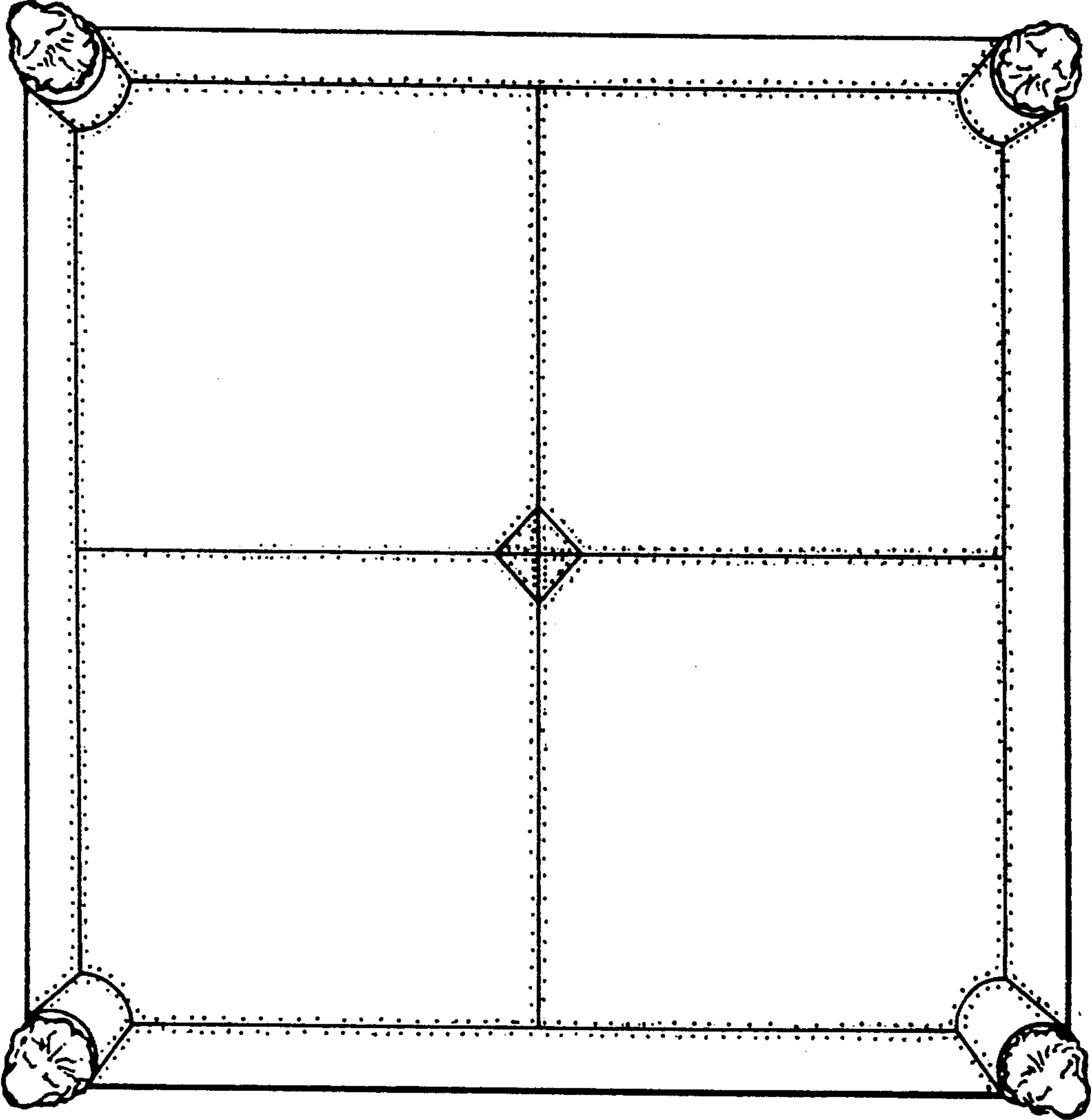


Fig-3