



US00D341730S

United States Patent [19]

[11] Patent Number: **Des. 341,730**

Sampson et al.

[45] Date of Patent: **** Nov. 30, 1993**

[54] **DISPLAY STAND FOR WRITING INSTRUMENTS**

[76] Inventors: **Pamela B. Sampson; Tyree E. Sampson**, both of 779 Saxony Dr., Xenia, Ohio 45385

[**] Term: **14 Years**

[21] Appl. No.: **544**

[22] Filed: **Oct. 19, 1992**

Related U.S. Application Data

[62] Division of Ser. No. 463,985, Jan. 12, 1990, Pat. No. Des. 332,881.

[52] U.S. Cl. **D6/450; D6/468; D19/82; D19/83**

[58] Field of Search **D6/396, 397, 450, 464, D6/465, 466-468, 470-472; D19/81-83; D21/200; 211/13, 69.9, 87, 88, 69.1, 70.6, 60.1**

[56] **References Cited**

U.S. PATENT DOCUMENTS

- D. 149,294 4/1948 Newman D6/471 X
- D. 154,420 7/1949 Newman D6/470 X
- D. 212,372 10/1968 Trimble D21/200
- D. 275,967 10/1984 Morano, Jr. D19/82 X
- D. 301,929 6/1989 Evans D21/200 X

- D. 324,554 3/1992 McKinney D21/200
- D. 332,881 2/1993 Blackburn et al. D19/83 X
- 801,119 10/1905 Van Alstyne, Jr. 211/69.9 X
- 2,913,789 11/1959 Loreda 211/69.1 X
- 2,959,296 11/1960 Case 211/69.1
- 3,166,193 1/1965 Rex 211/69.1 X

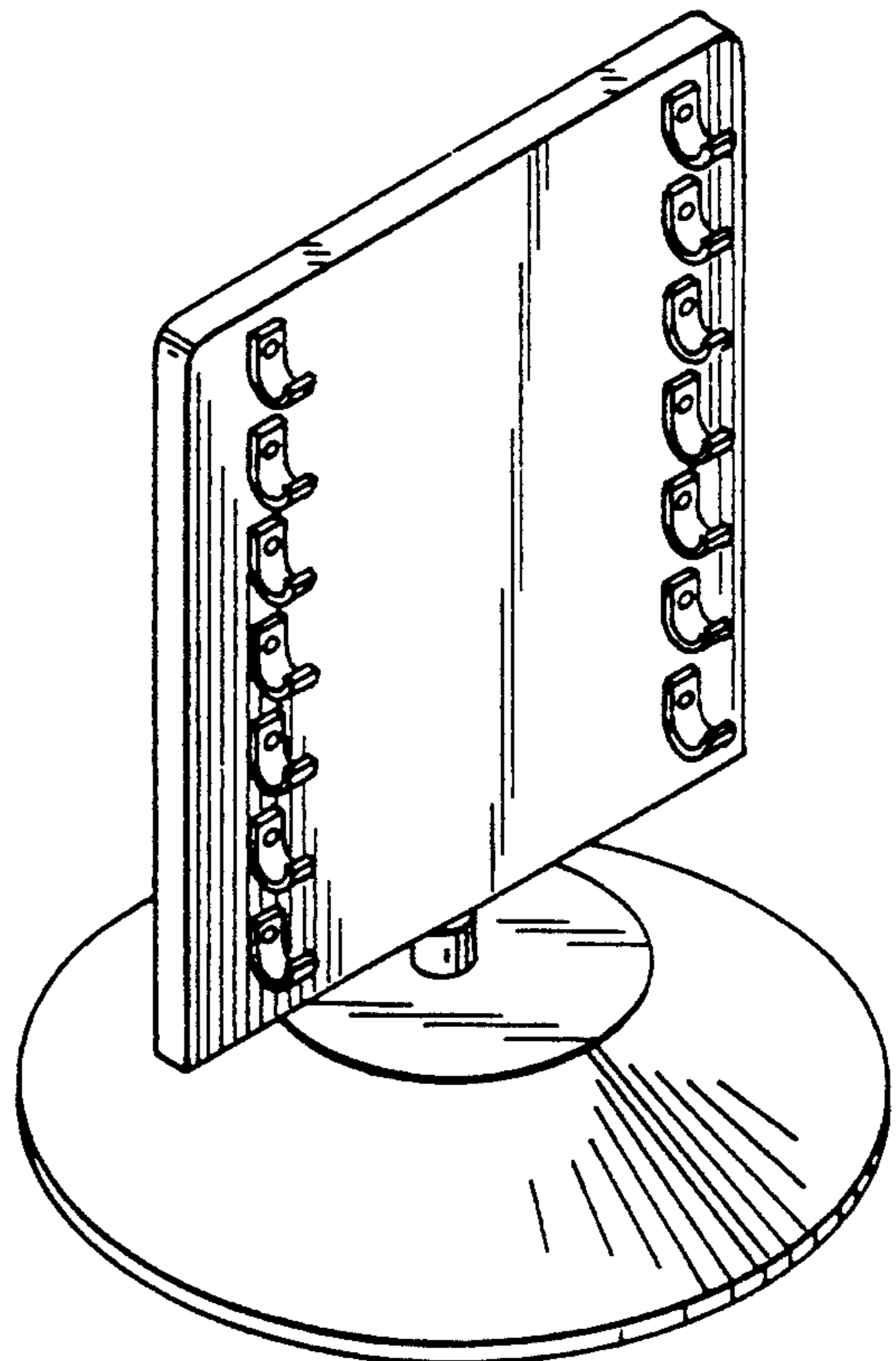
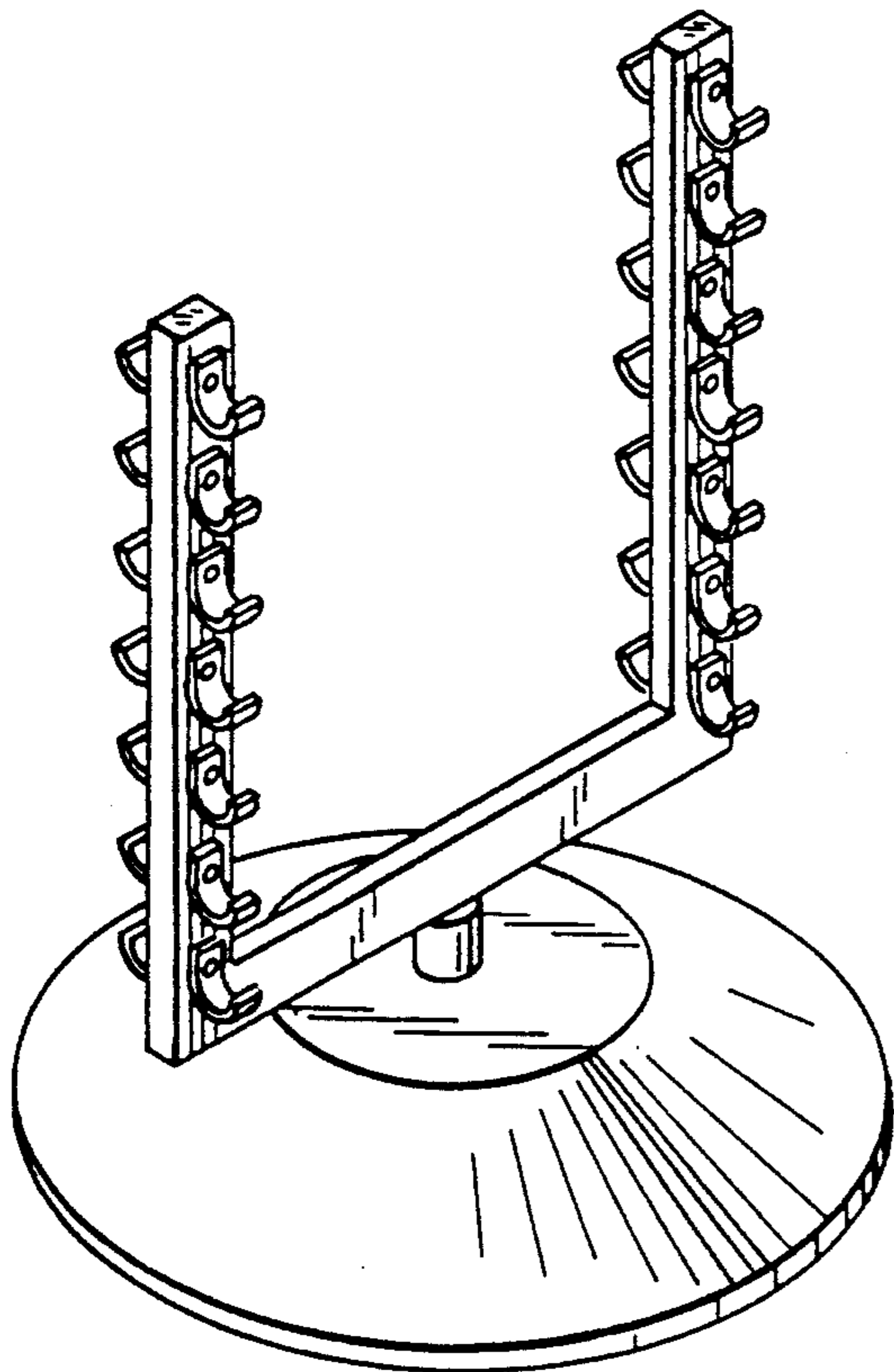
Primary Examiner—Alan P. Douglas
Assistant Examiner—Jeffrey Asch
Attorney, Agent, or Firm—Killworth, Gottman, Hagan & Schaeff

[57] **CLAIM**

The ornamental design for a display stand for writing instruments, as shown and described.

DESCRIPTION

FIG. 1 is a perspective view of a display stand for writing instruments showing our new design;
 FIG. 2 is a left side elevational view, the right side being a mirror image thereof;
 FIG. 3 is a top plan view;
 FIG. 4 is a perspective view of a second embodiment of a display stand for writing instruments showing our new design;
 FIG. 5 is a left side elevational view of the second embodiment, the right side being a mirror image thereof; and,
 FIG. 6 is a top plan view of the second embodiment.



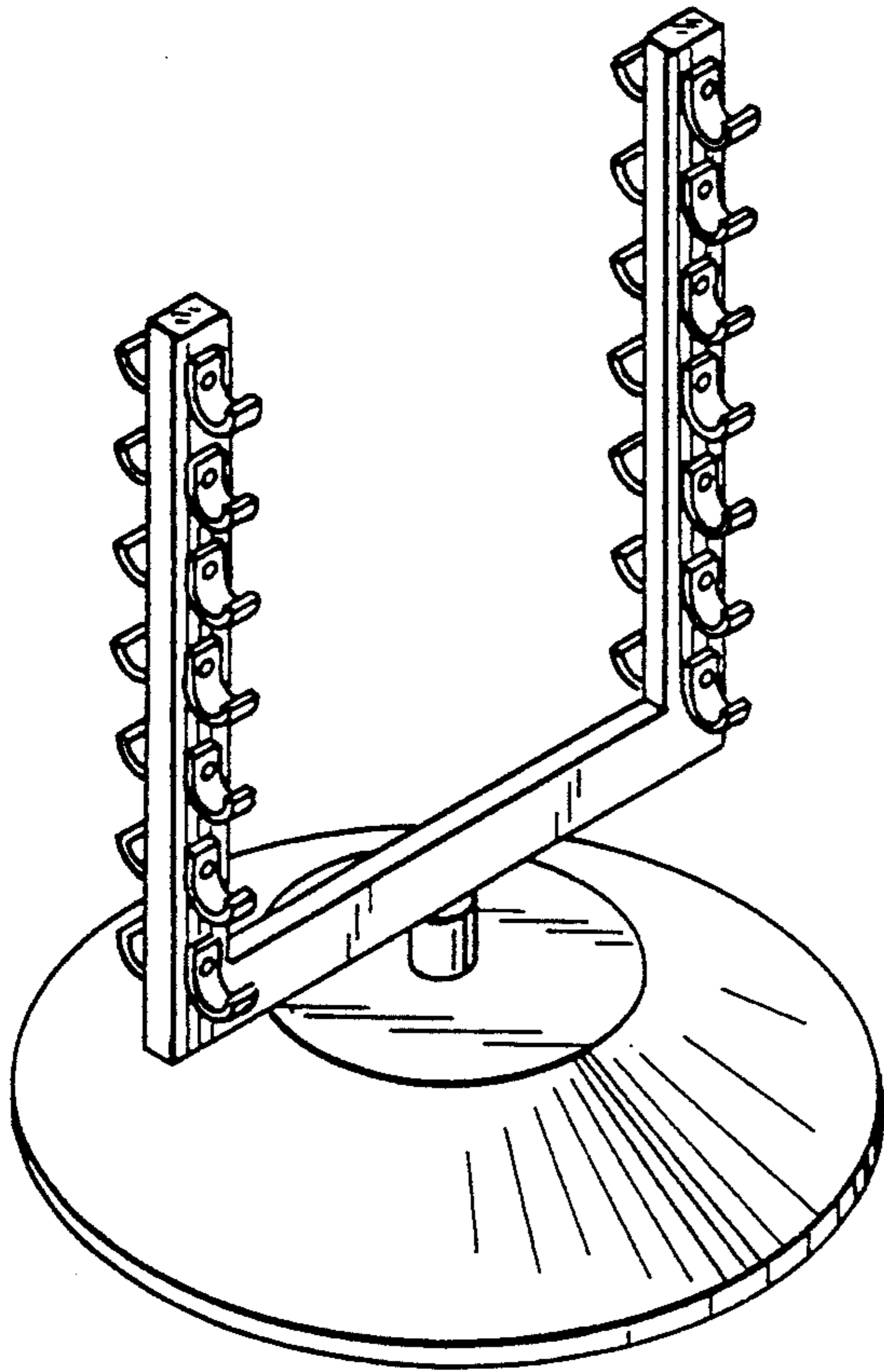


FIG-1

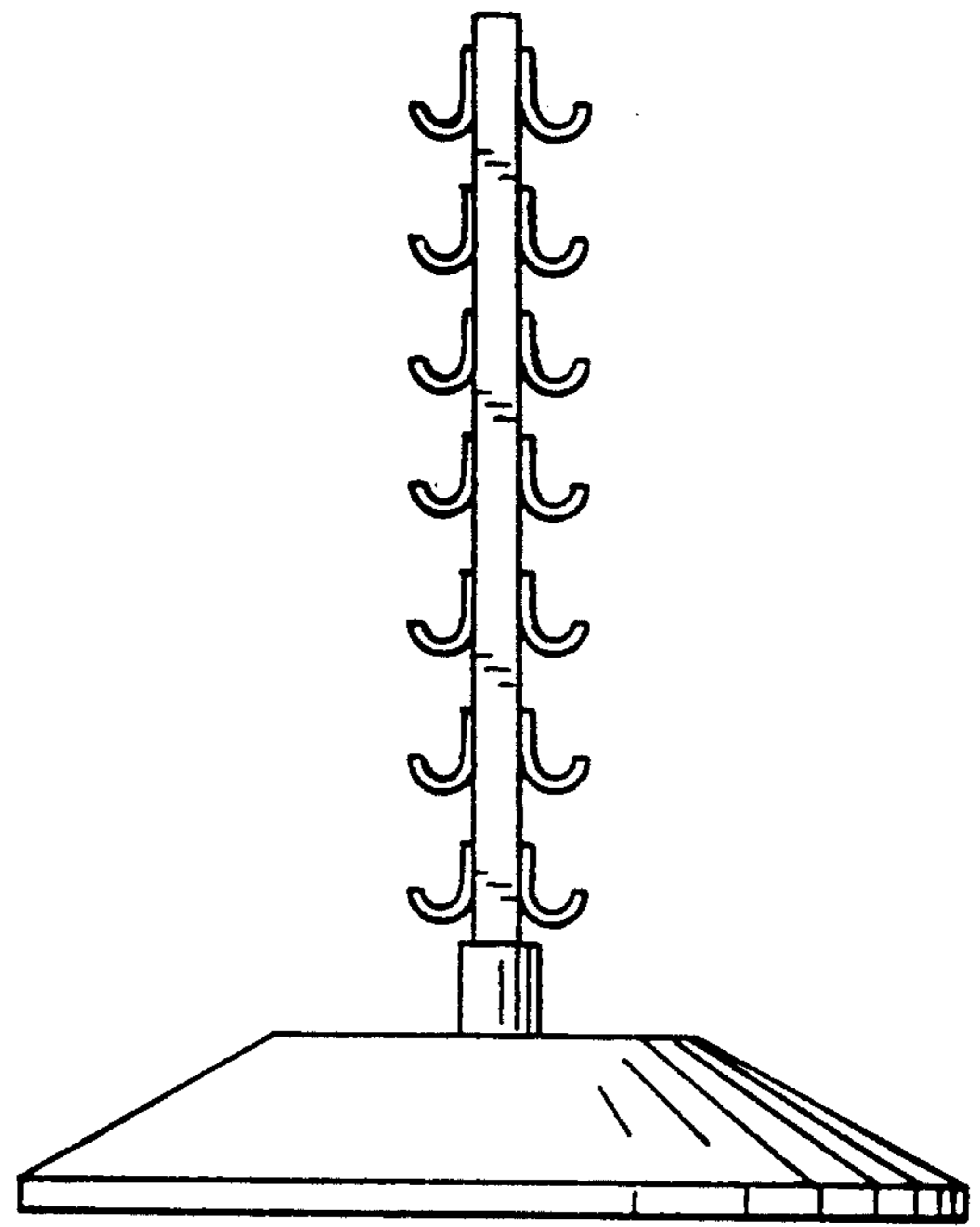


FIG-2

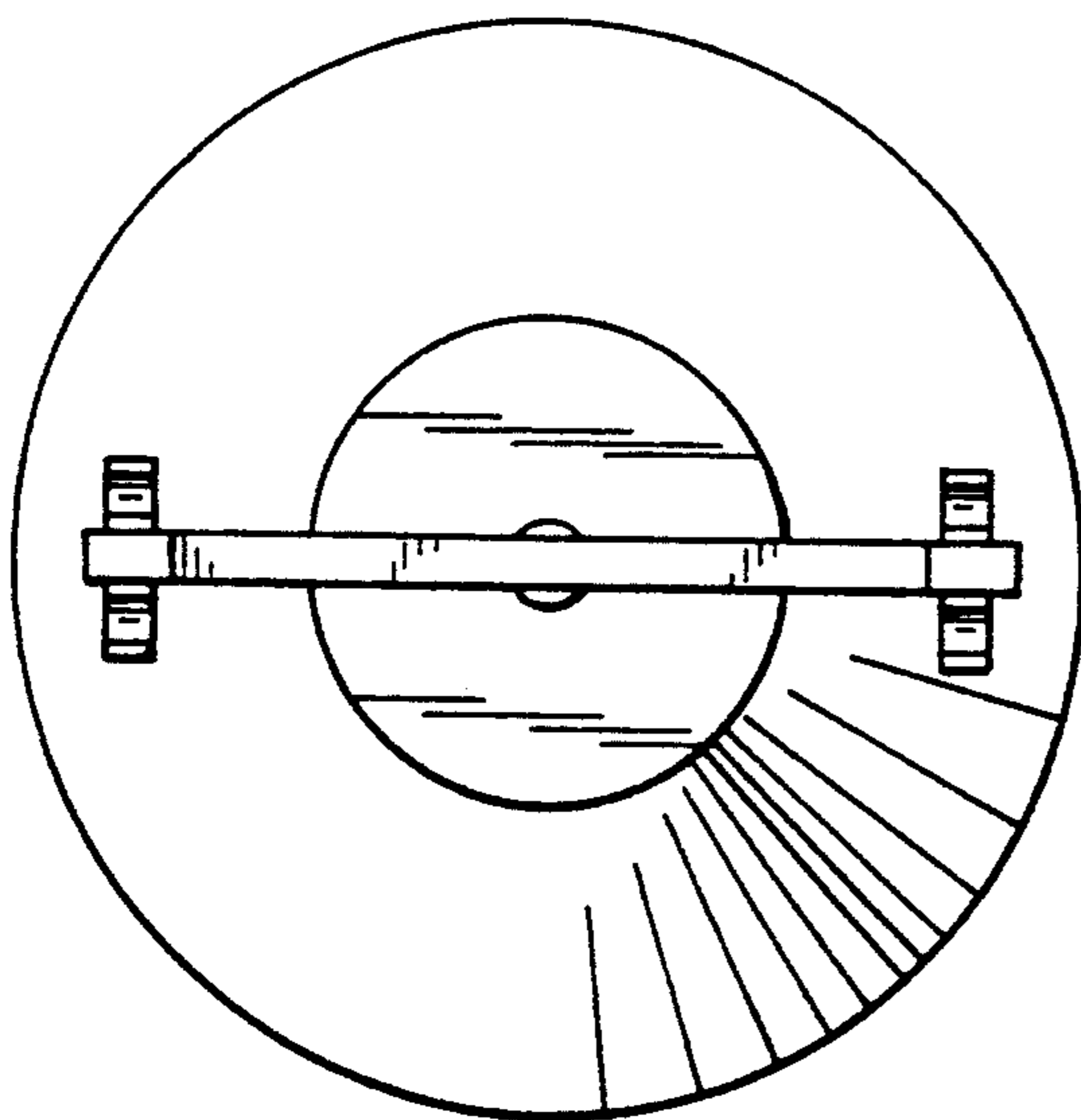


FIG-3

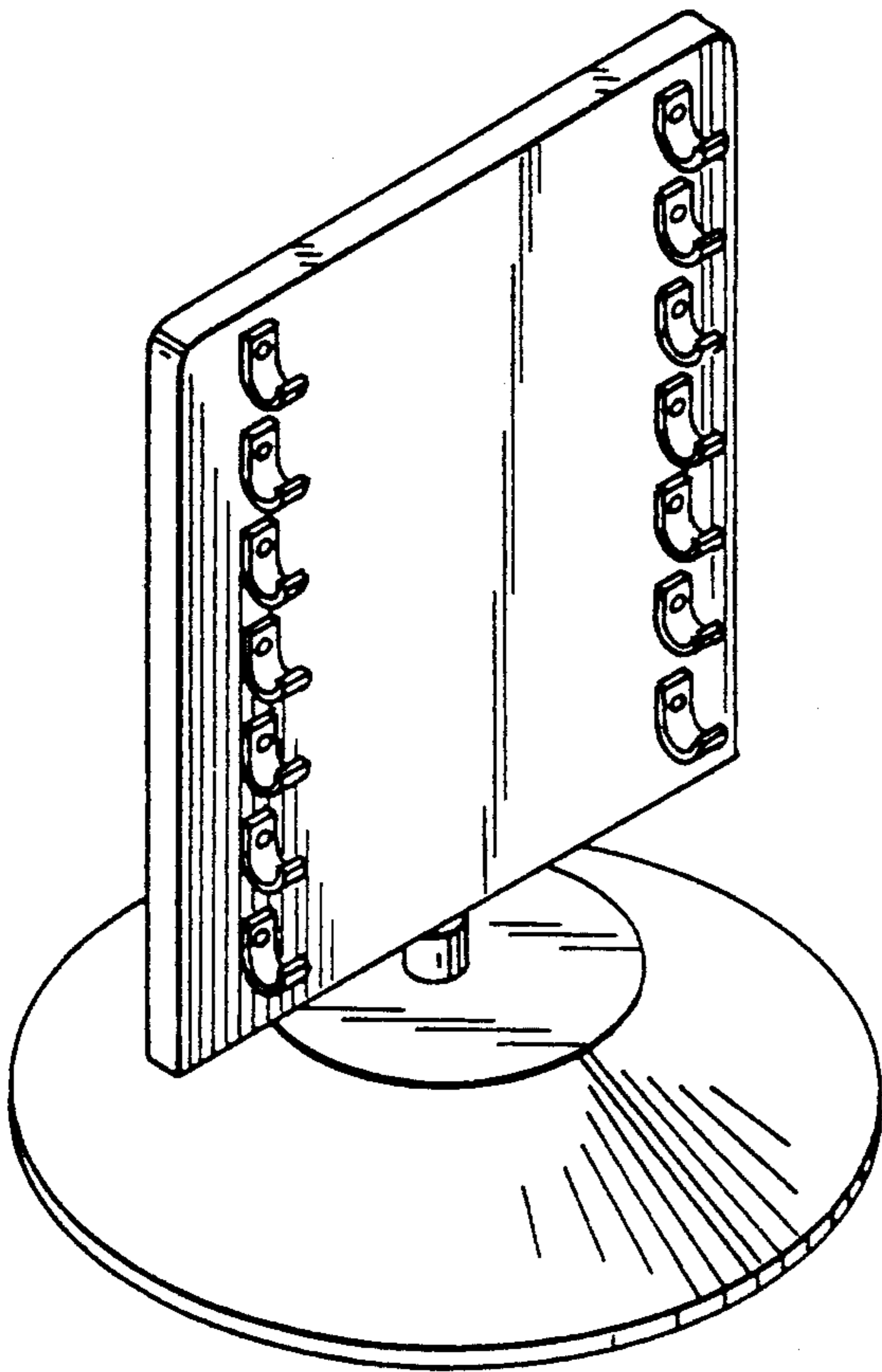


FIG-4

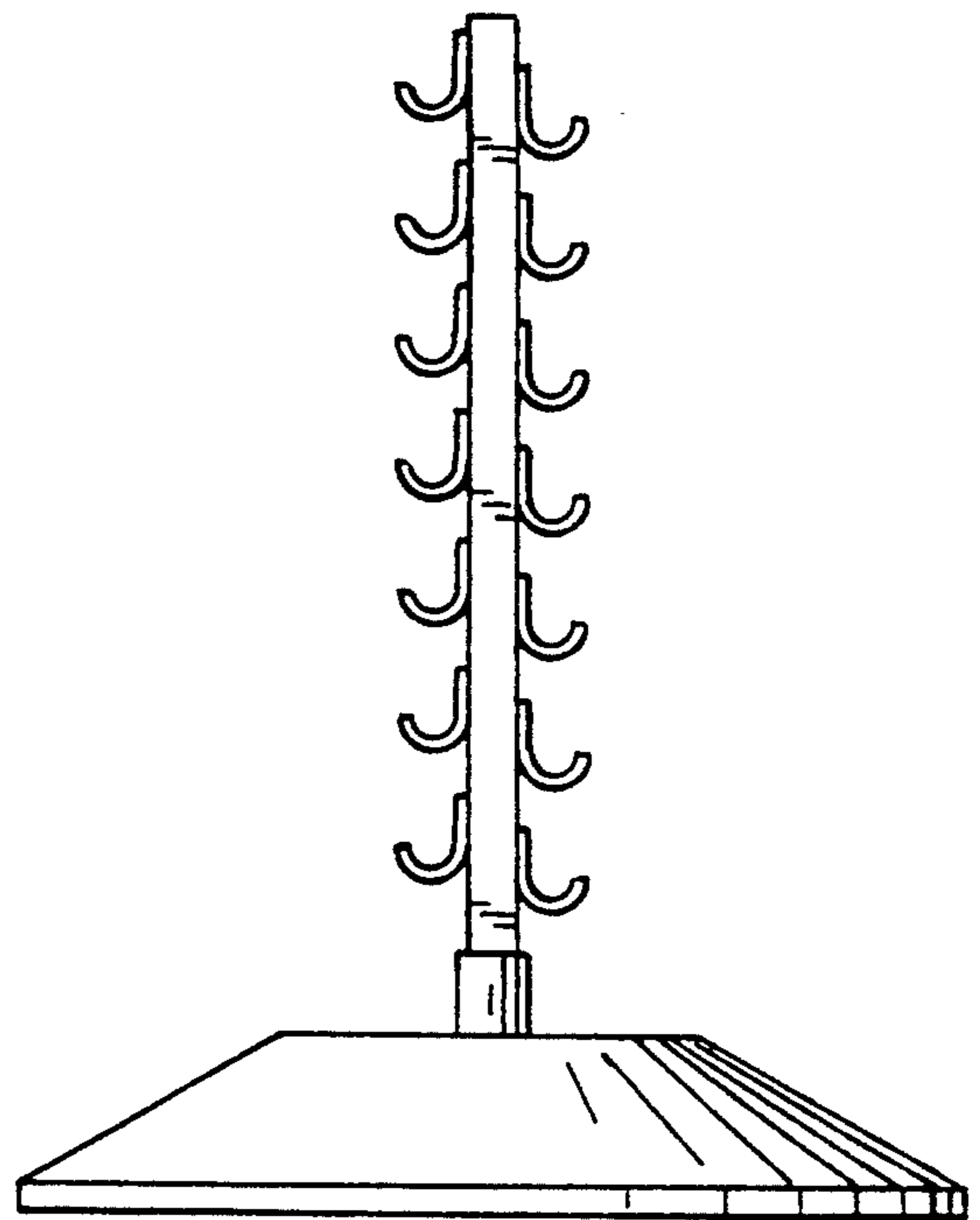


FIG-5

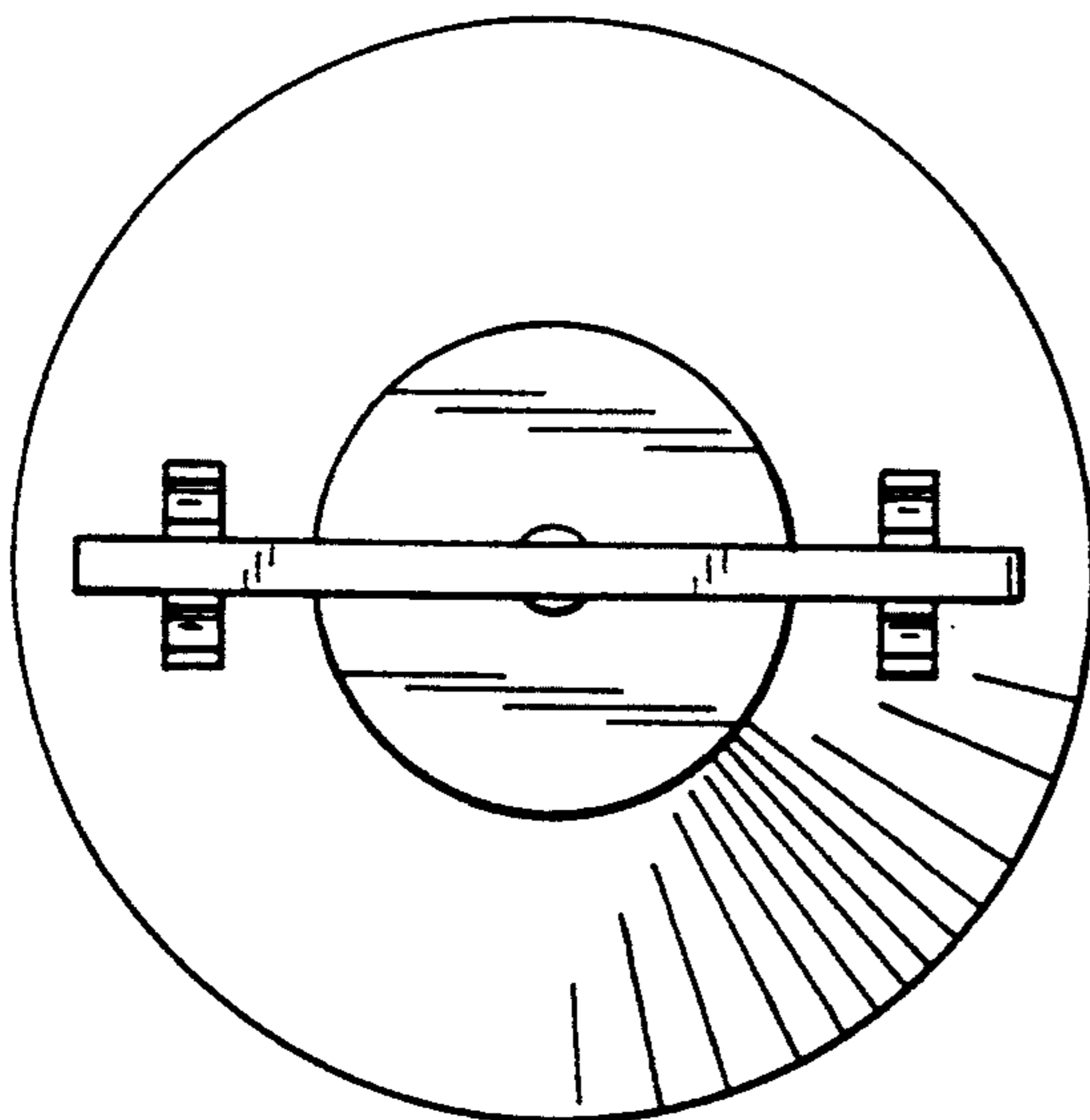


FIG-6