



US00D341723S

United States Patent [19]

[11] Patent Number: **Des. 341,723**

Edel

[45] Date of Patent: **** Nov. 30, 1993**

[54] BABY BOAT SEAT

[76] Inventor: **Katherine Edel**, 1142 Willow Dr.,
Langhorne, Pa. 19047

[**] Term: **14 Years**

[21] Appl. No.: **627,430**

[22] Filed: **Dec. 14, 1990**

[52] U.S. Cl. **D6/333; D12/317**

[58] Field of Search **D6/333, 365;**
297/DIG. 1, DIG. 2, 250

FOREIGN PATENT DOCUMENTS

2347010 8/1976 France 297/250

Primary Examiner—Alan P. Douglas
Assistant Examiner—Monica A. Hannon
Attorney, Agent, or Firm—S. Michael Bender

[57] CLAIM

The ornamental design for a baby boat seat, as shown and described.

DESCRIPTION

FIG. 1 is a front elevational view of the baby boat seat showing my new design;

FIG. 2 is a rear elevational view thereof;

FIG. 3 is a left side elevational view thereof;

FIG. 4 is a right side elevational view thereof;

FIG. 5 is a top plan view thereof; and,

FIG. 6 is a bottom plan view thereof.

[56] References Cited

U.S. PATENT DOCUMENTS

D. 239,228	3/1976	Introini	D6/364
3,220,769	11/1965	Regan	297/250 X
3,589,967	6/1971	Shirakawa	297/DIG. 2 X
4,213,213	7/1980	Burnett	297/DIG. 1 X
4,679,852	7/1987	Anthony et al.	297/250 X

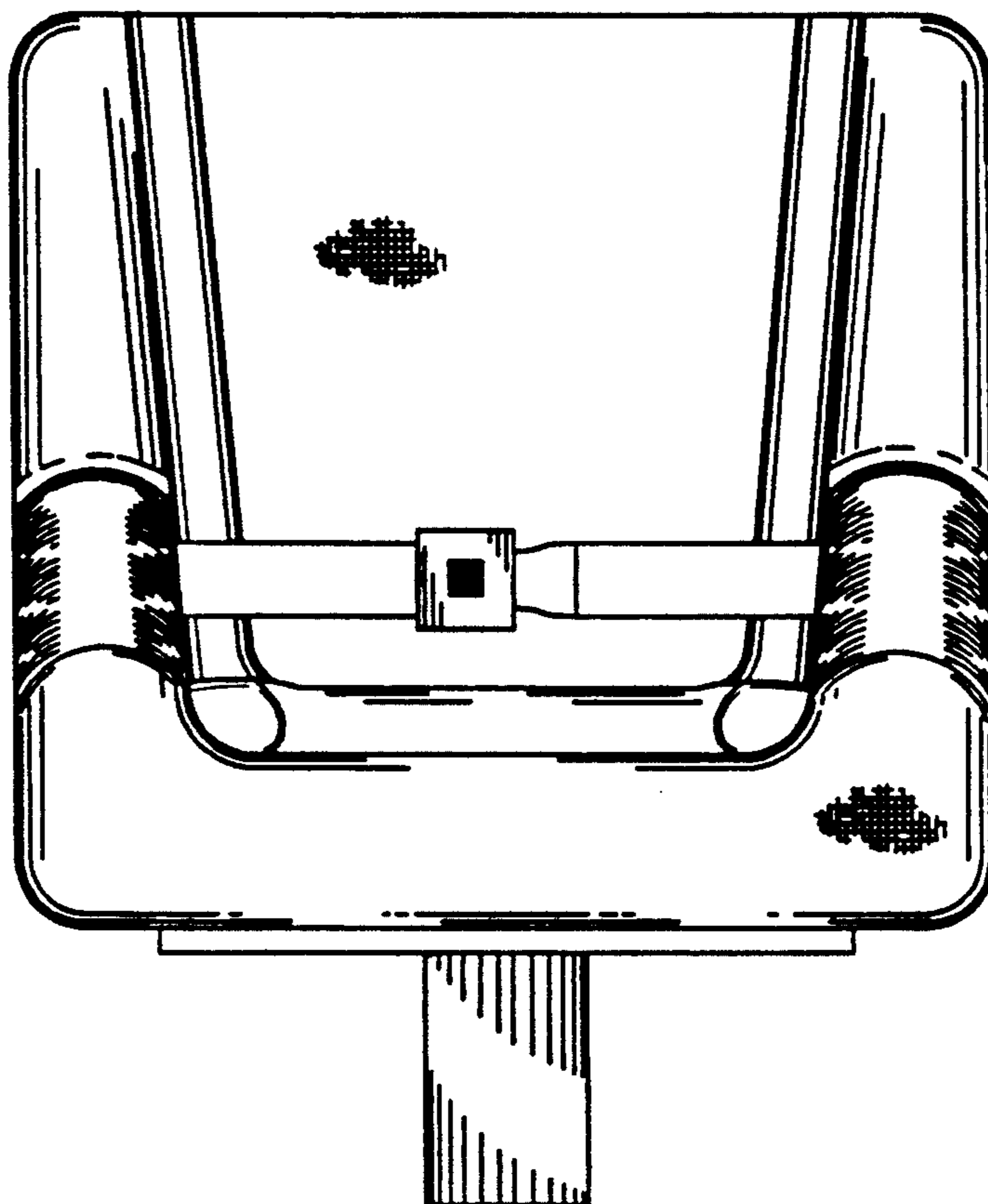


FIG. 1

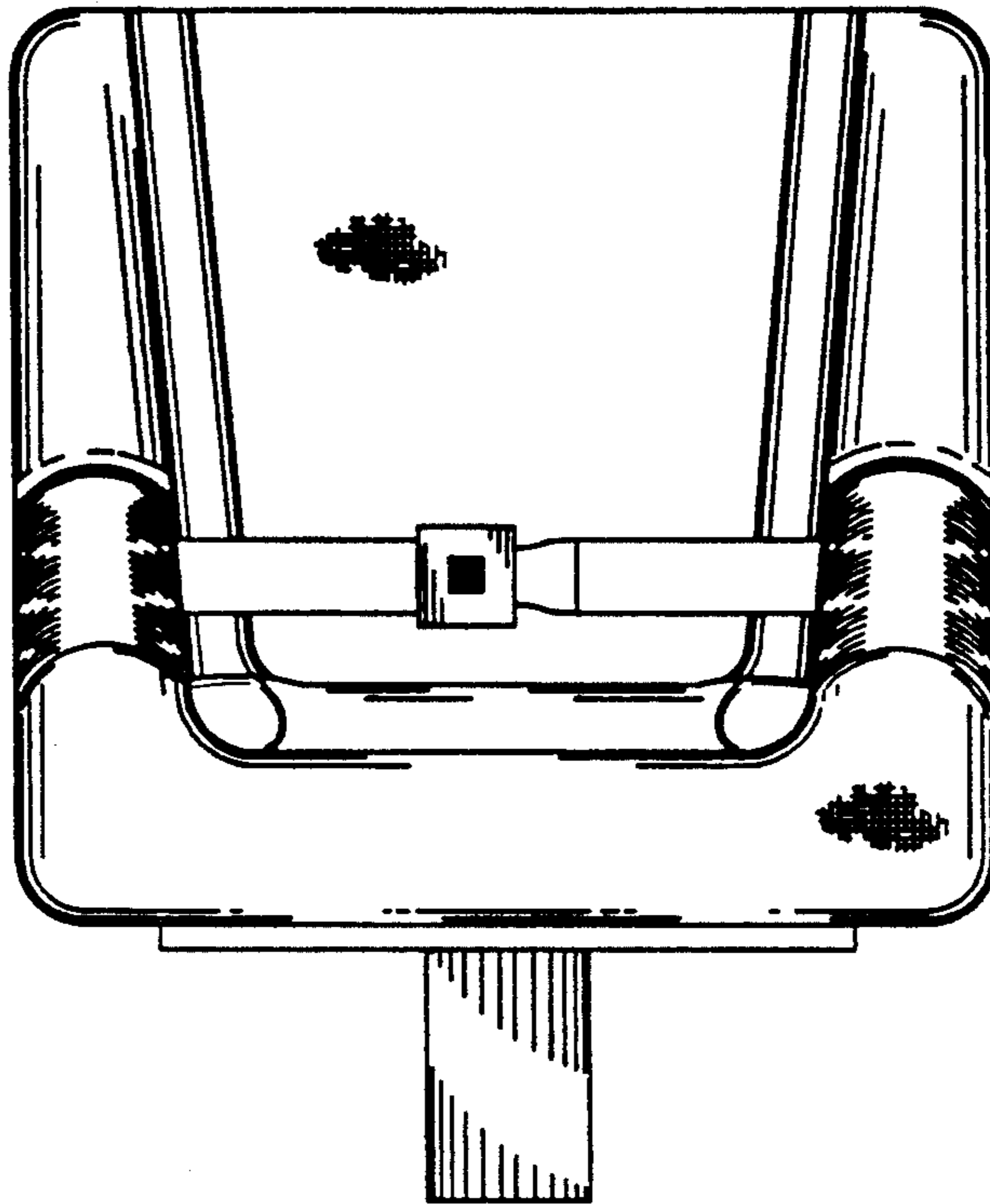


FIG. 2

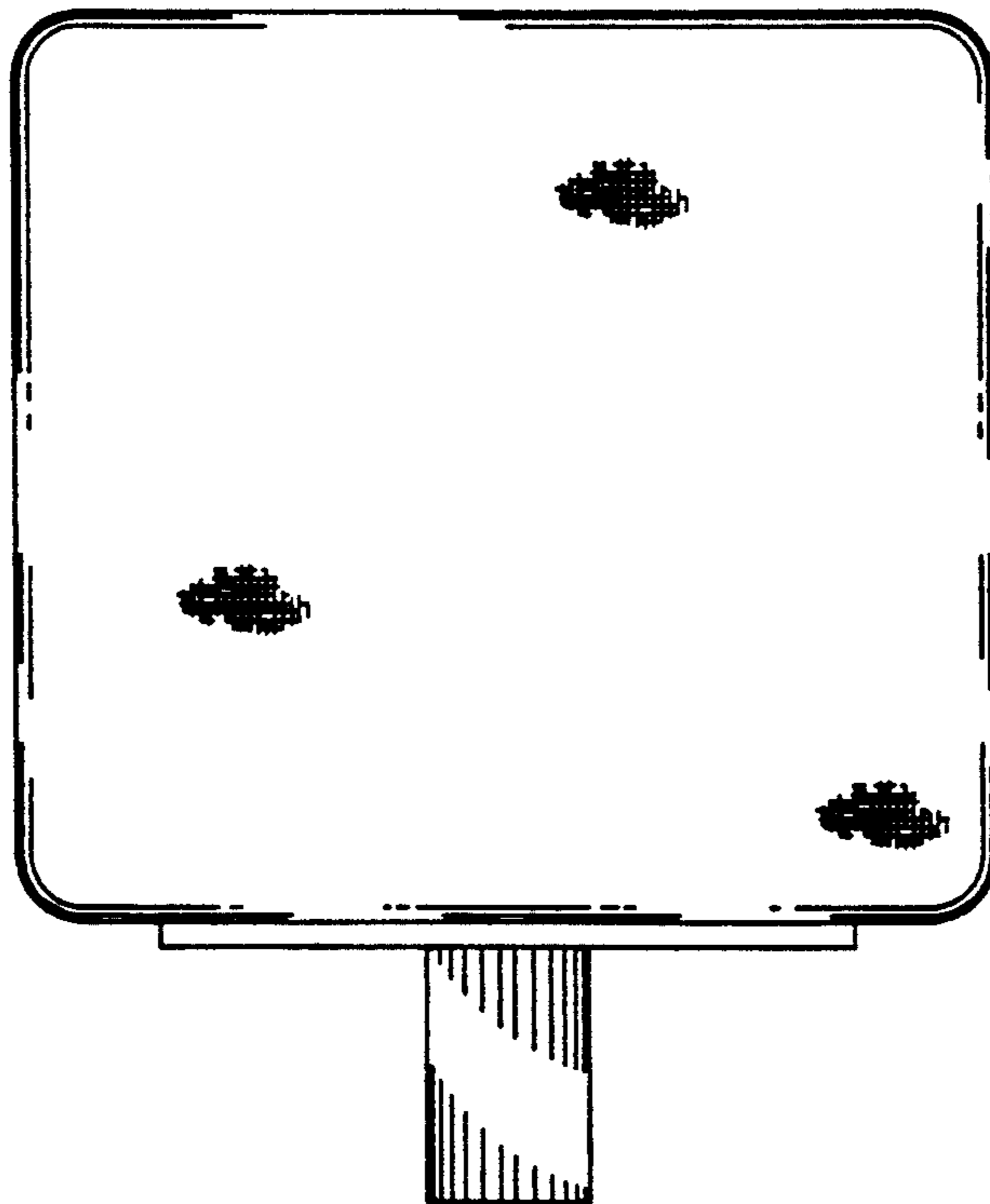


FIG. 3

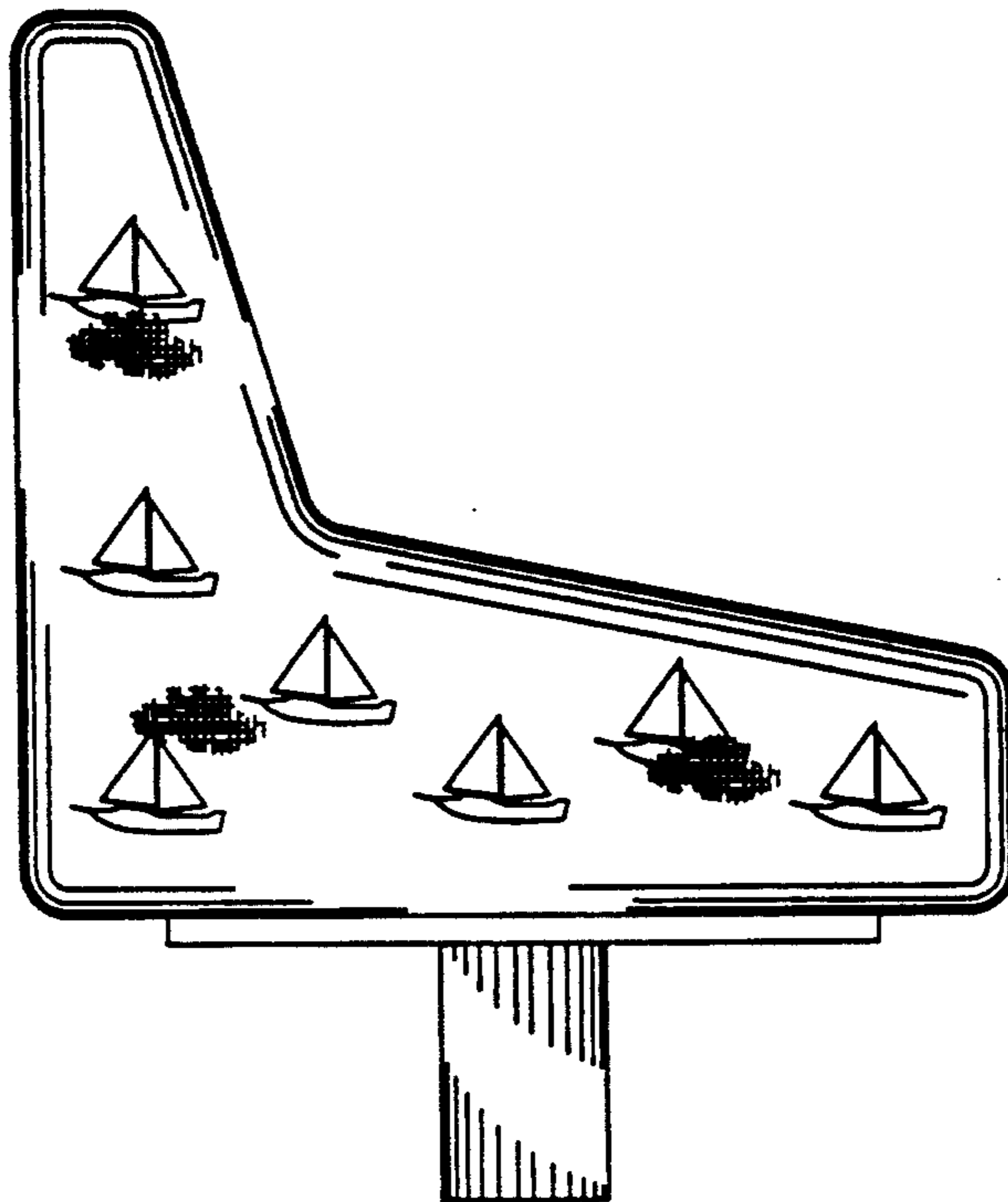


FIG. 4

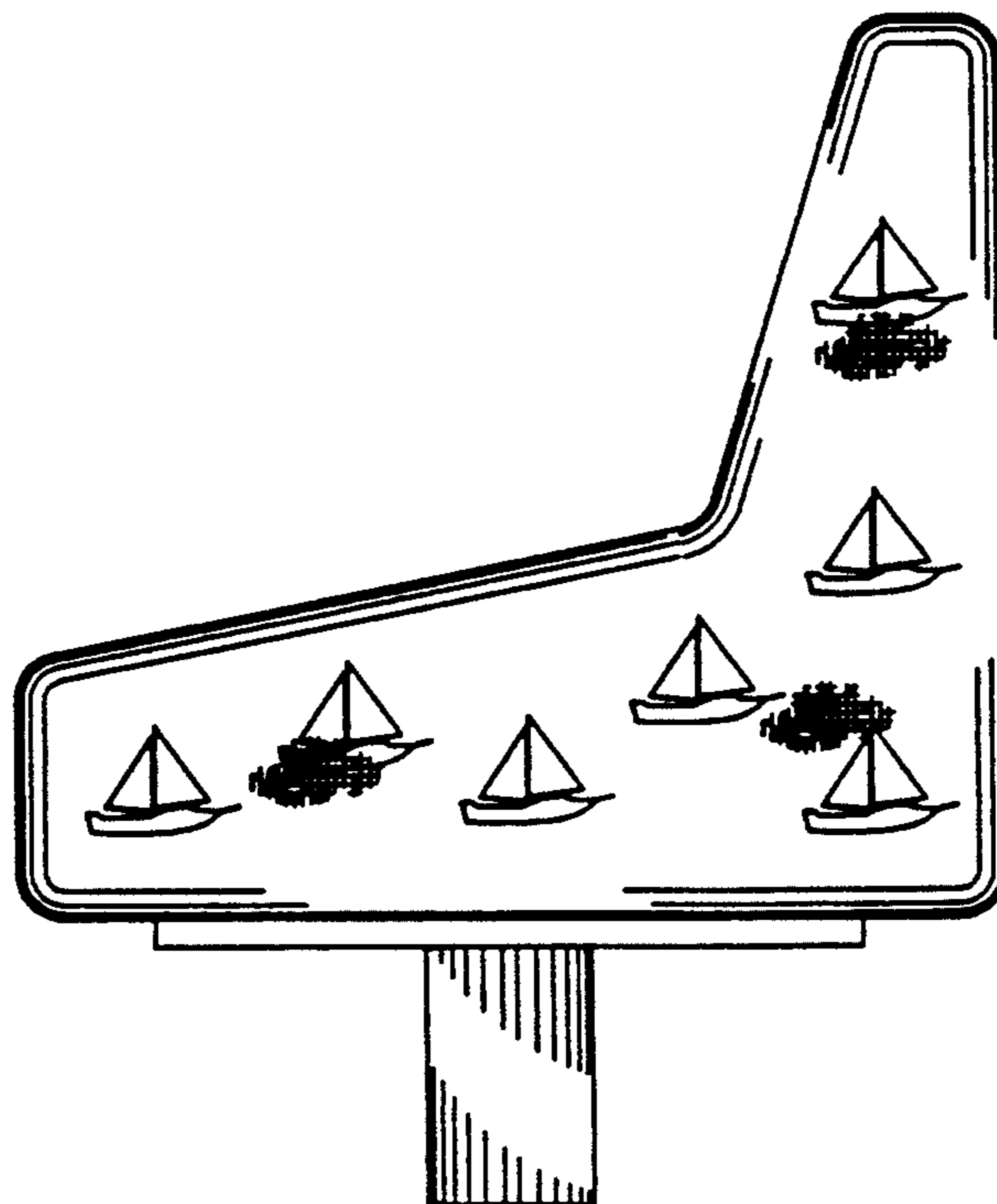


FIG. 5

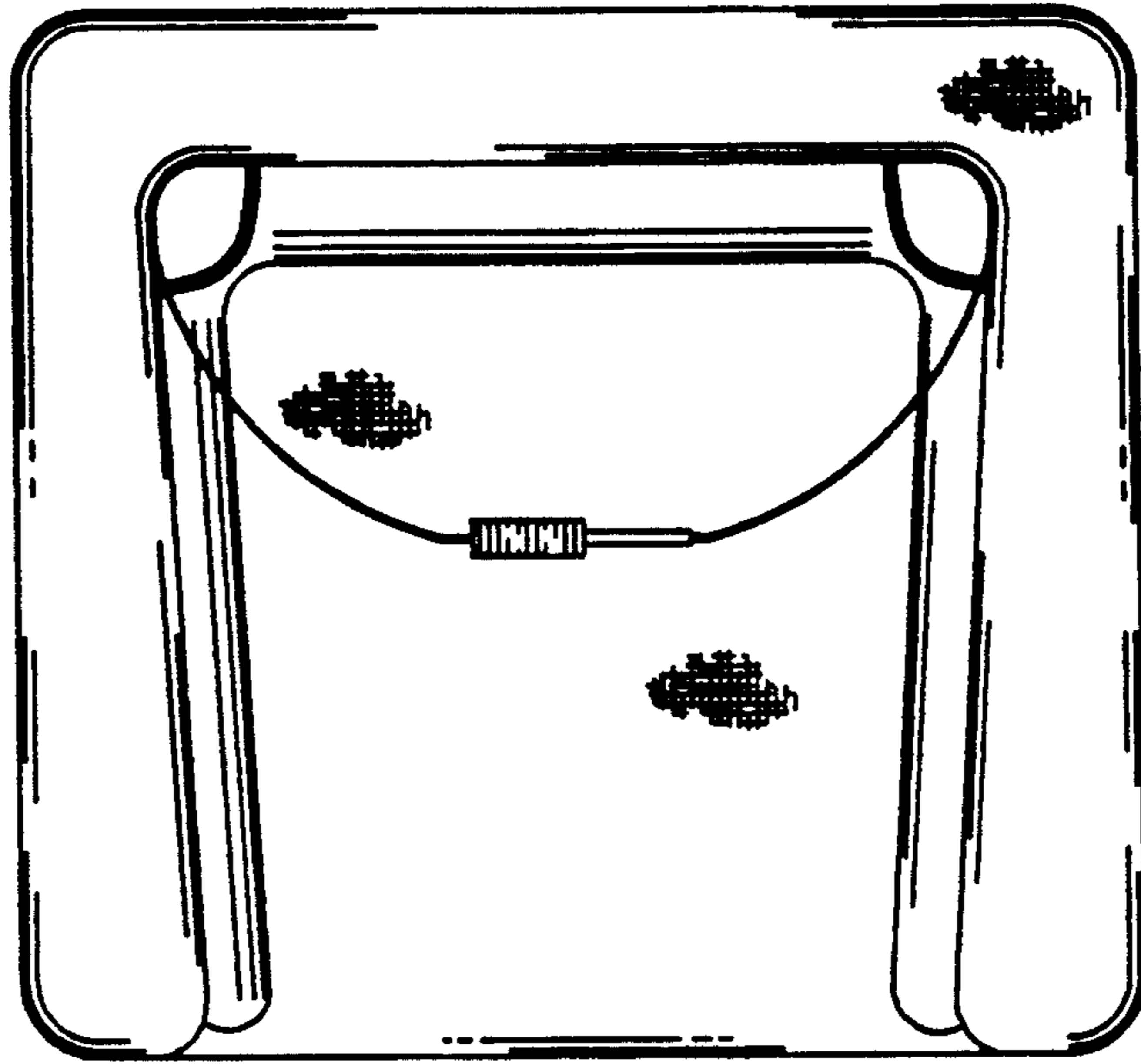


FIG. 6

