



US00D341721S

United States Patent [19]

[11] Patent Number: **Des. 341,721**

Wenkman et al.

[45] Date of Patent: **** Nov. 30, 1993**

[54] **DISPLAY FRAME**

[75] Inventors: **Gregory J. Wenkman**, Madison;
Ferdinand F. Salzmann, Prairie du Sac, both of Wis.

[73] Assignee: **Uniek Plastics, Inc.**, Madison, Wis.

[**] Term: **14 Years**

[21] Appl. No.: **547,343**

[22] Filed: **Jun. 27, 1990**

[52] U.S. Cl. **D6/300**

[58] Field of Search **D6/300-314;**
D11/132; 40/152, 152.1, 152.2, 156

[56] **References Cited**

U.S. PATENT DOCUMENTS

D. 268,467 4/1983 Daenen D6/300
D. 288,746 3/1987 Allekotte D6/300

D. 292,781 11/1987 Shane D11/132
D. 295,922 5/1988 Huffman D6/308
4,768,299 9/1988 Ackeret 40/513
4,779,368 10/1988 Thede 40/156
4,979,323 12/1990 Wenkman et al. 40/152.1
4,996,784 3/1991 Hsu 40/152

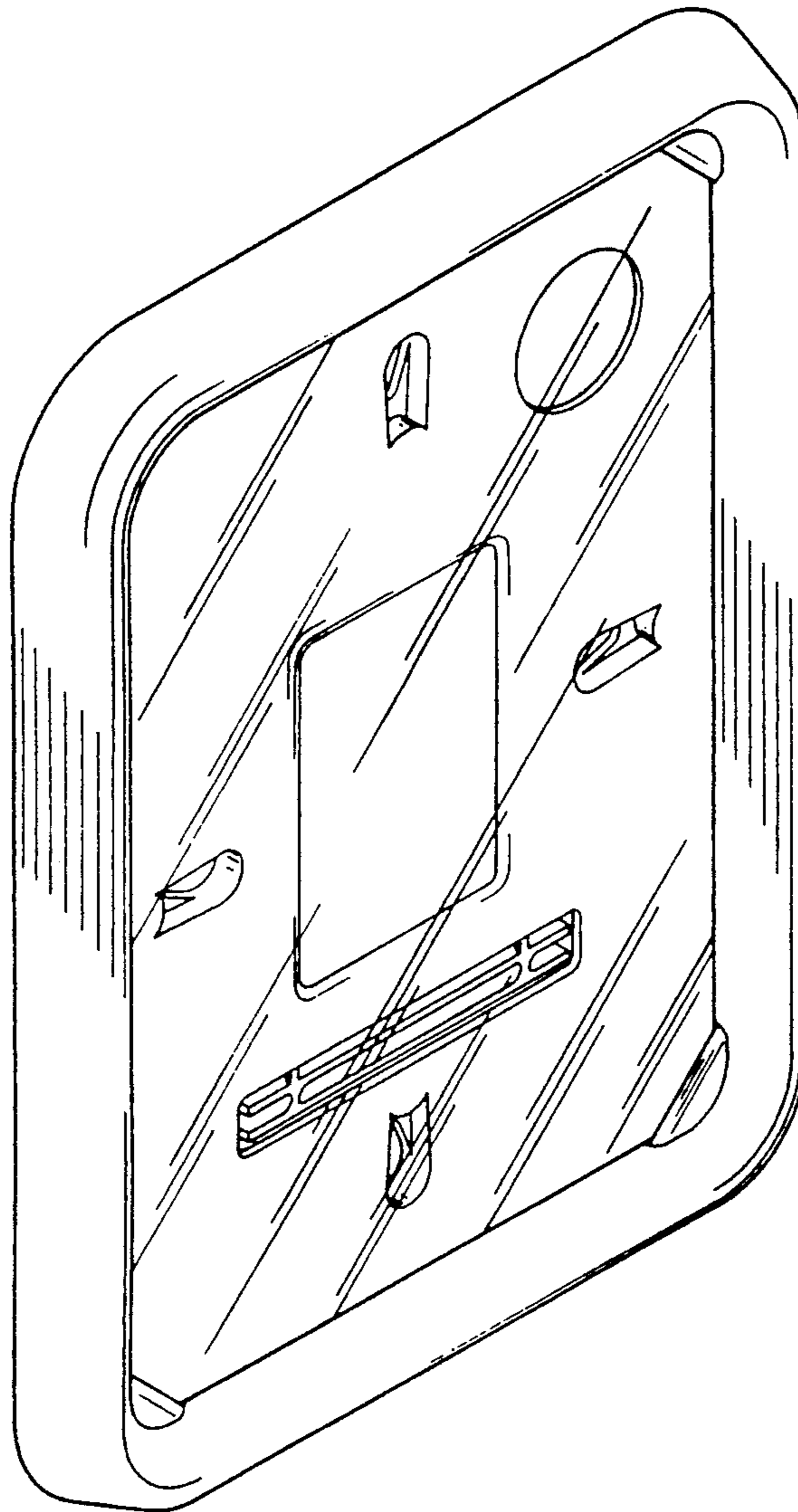
Primary Examiner—Bernard Ansher
Assistant Examiner—Adir Aronovich
Attorney, Agent, or Firm—Quarles & Brady

[57] CLAIM

The ornamental design for a display frame, as shown.

DESCRIPTION

FIG. 1 is a top, front and left side view of a display frame showing our new design;
FIG. 2 is a front elevational view thereof;
FIG. 3 is a rear elevational view thereof;
FIG. 4 is a right side elevational view thereof; and,
FIG. 5 is a bottom plan view thereof.



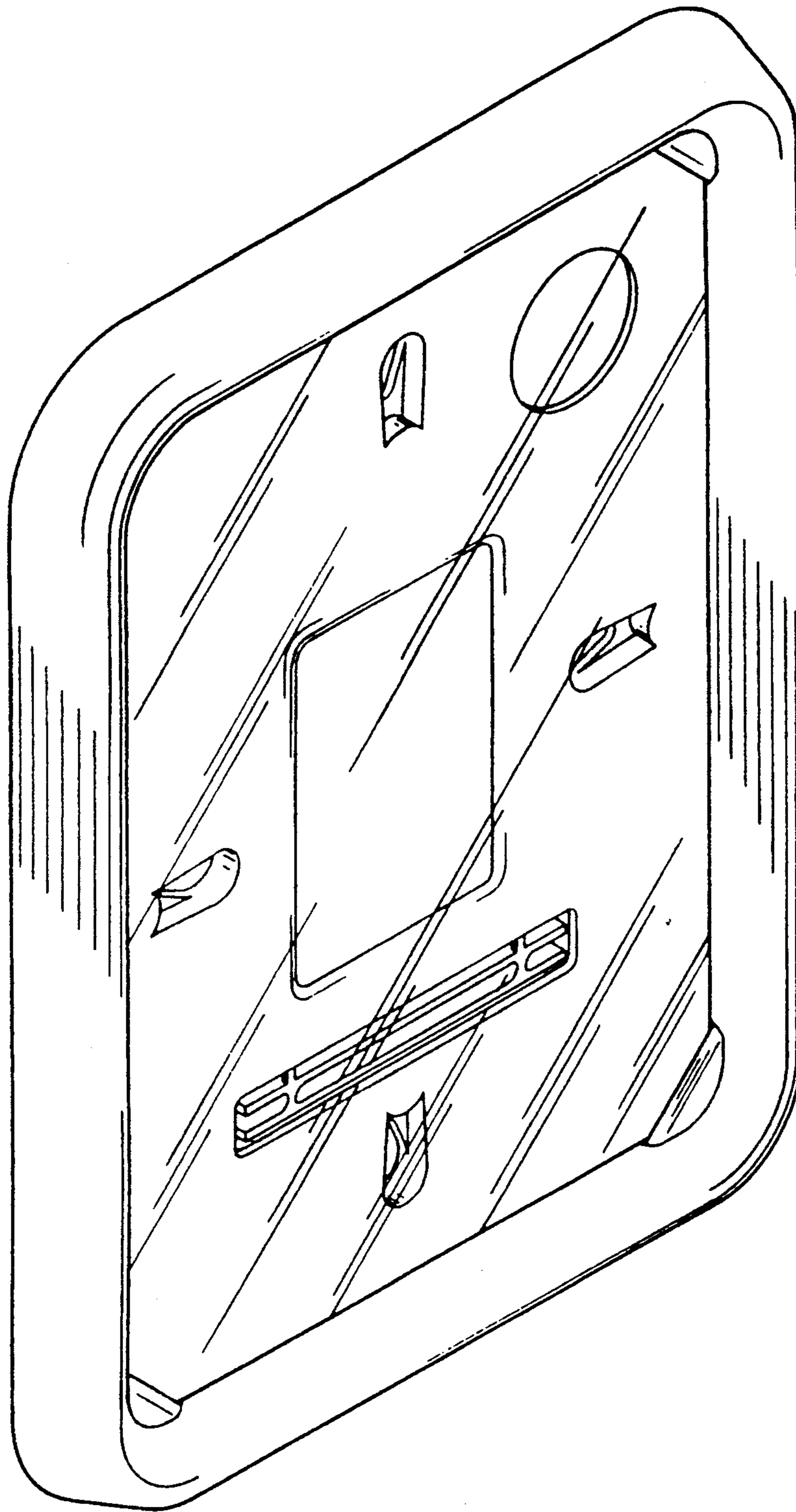


FIG. 1

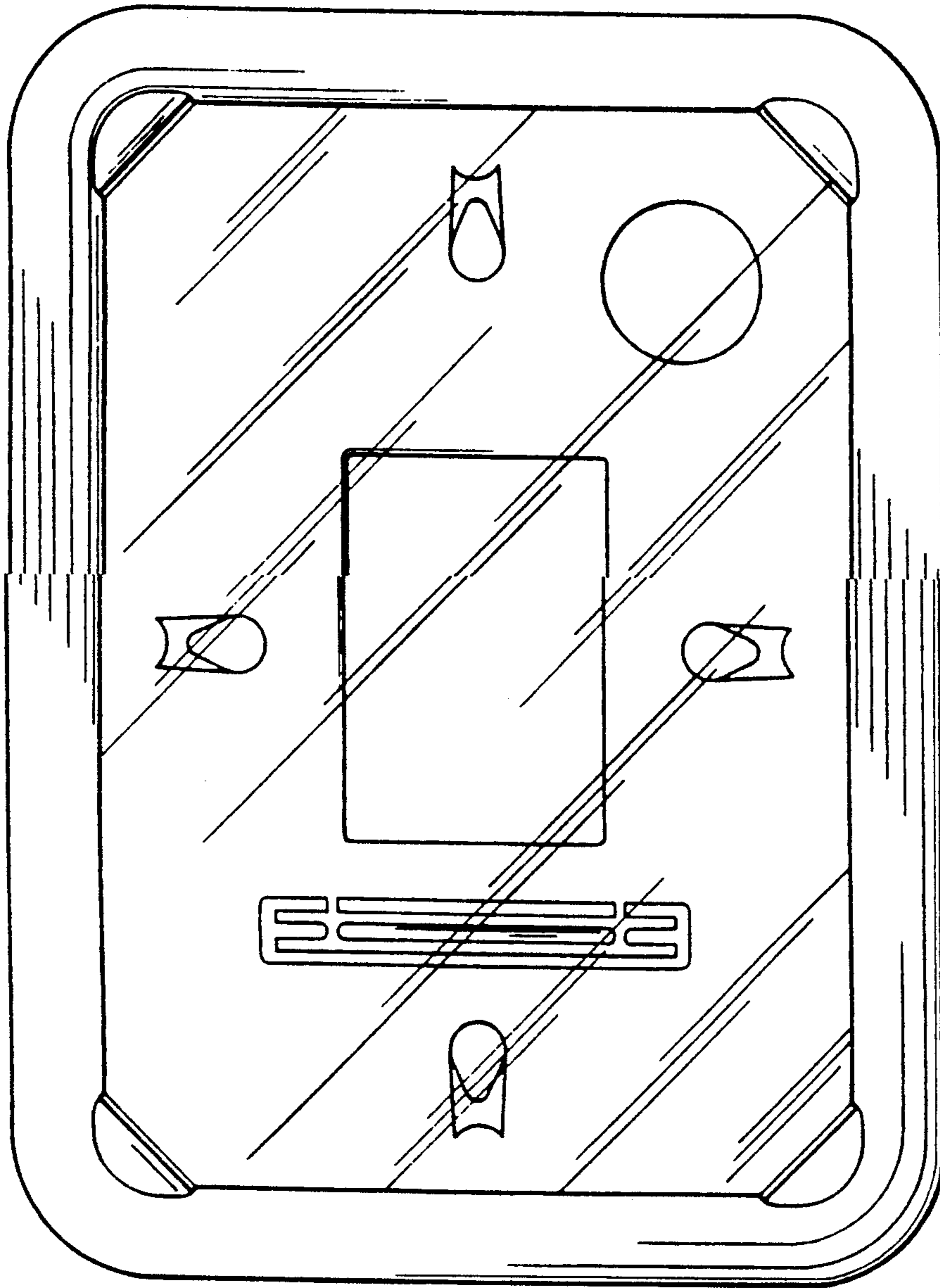


FIG. 2

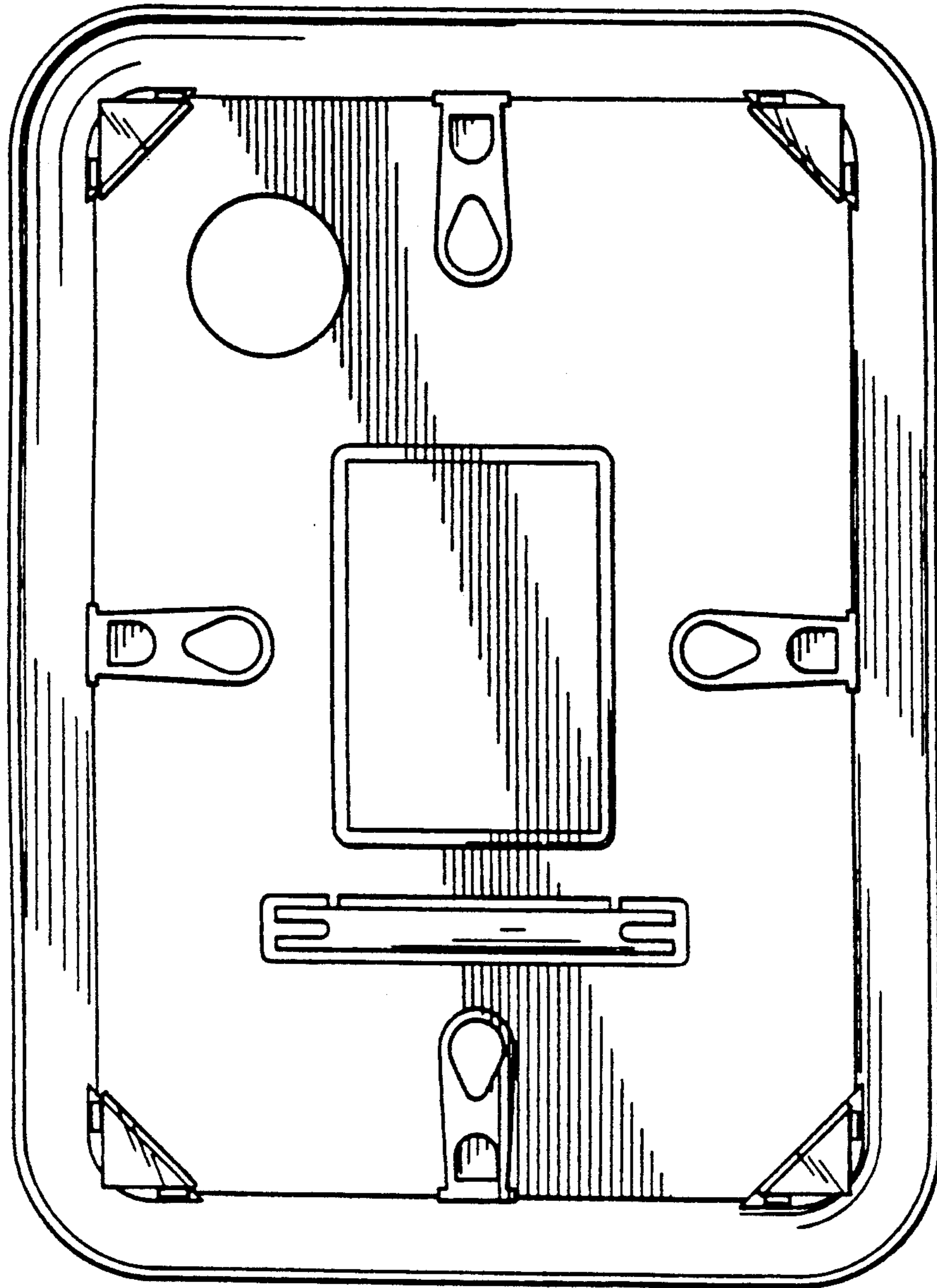


FIG. 3



FIG. 4

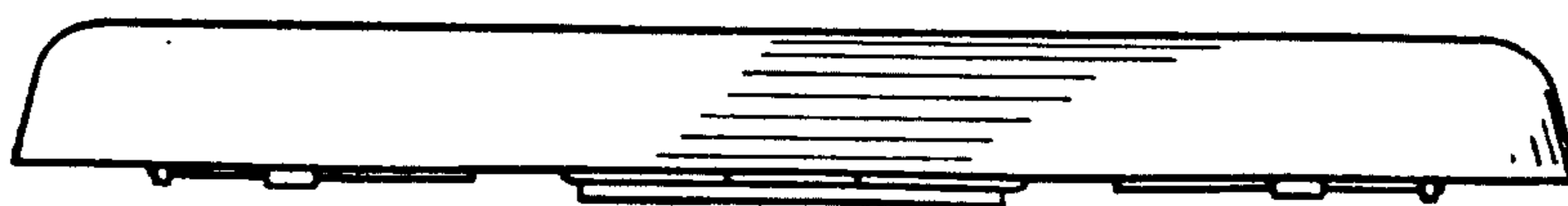


FIG. 5