



US00D341717S

# United States Patent [19]

[11] Patent Number: **Des. 341,717**

Hickin

[45] Date of Patent: **\*\* Nov. 30, 1993**

[54] **GOLF CLUB AND BALL CARRYING CASE**

4,194,547 3/1980 Sidor et al. .... D3/37

[76] Inventor: **Ray Hickin**, 43046 Old Orchard Road, Sardis, B. C., Canada, V2R 1A9

*Primary Examiner*—A. Hugo Word  
*Assistant Examiner*—Doris V. Coles  
*Attorney, Agent, or Firm*—Francis X. LoJacono

[\*\*] Term: **14 Years**

[57] **CLAIM**

[21] Appl. No.: **657,201**

The ornamental design for golf club and ball carrying case, as shown and described.

[22] Filed: **Feb. 19, 1991**

**DESCRIPTION**

**Related U.S. Application Data**

[63] Continuation-in-part of Ser. No. 569,169, Aug. 17, 1990, abandoned.

[52] U.S. Cl. .... **D3/37**

[58] Field of Search ..... D3/36, 37; 248/309.1; 206/315.2, 315.3, 315.4, 315.5, 315.6, 316.7, 315.8, 315.9; 273/32 E; 280/DIG. 6

FIG. 1 is a front perspective view of a golf club and ball carrying case, showing my new design;  
FIG. 2 is a rear perspective view thereof;  
FIG. 3 is a top plan view thereof;  
FIG. 4 is a bottom plan view thereof;  
FIG. 5 is a rear perspective view of a second embodiment;  
FIG. 6 is a top plan view thereof;  
FIG. 7 is a top plan view of a third embodiment, all other sides and bottom being the same as the second embodiment;  
FIG. 8 is a top plan view of a fourth embodiment, all other sides and bottom being the same as the second embodiment;  
FIG. 9 is a front elevational view of the first embodiment;  
FIG. 10 is a front elevational view of the second embodiment;  
FIG. 11 is a side elevational view thereof, the opposite side being a mirror image thereof; and,  
FIG. 12 is an enlarged bottom plan view thereof.

[56] **References Cited**

**U.S. PATENT DOCUMENTS**

D. 284,907	8/1986	Wiedeman	.....	D3/37
1,092,729	4/1914	Kirby	.....	206/315.5
1,424,317	8/1922	Nesser	.....	206/315.8
1,443,230	1/1923	Luckett	.....	273/32 E
1,699,048	1/1929	Connor	.....	206/315.5
1,778,225	10/1930	Morss	.....	D3/37 X
2,123,550	7/1938	Cart	.....	206/315.3
2,126,833	8/1938	Steinberger	.....	206/315.5 X
2,143,644	1/1939	Borm	.....	206/315.3 X
3,519,138	7/1970	Murray	.....	248/309.1

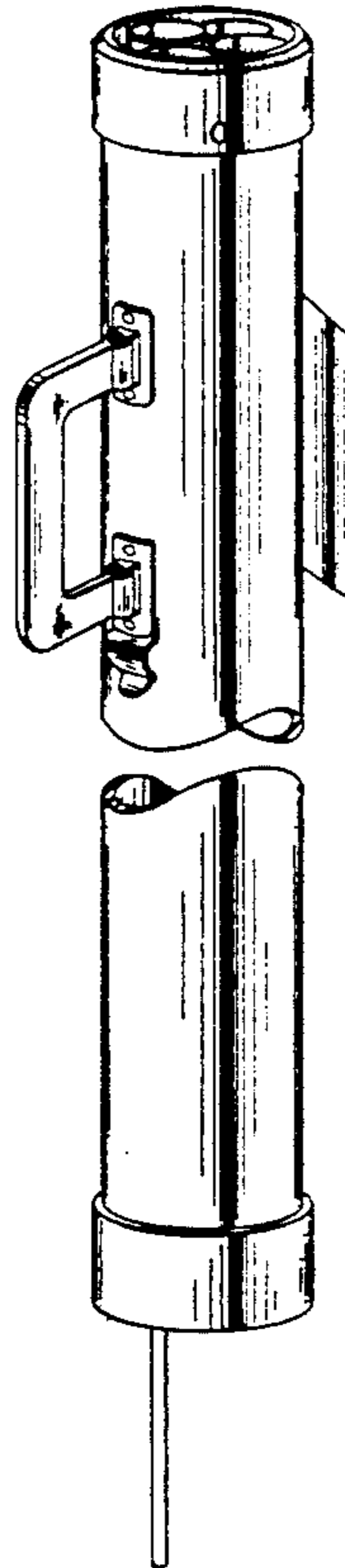


FIG. 1

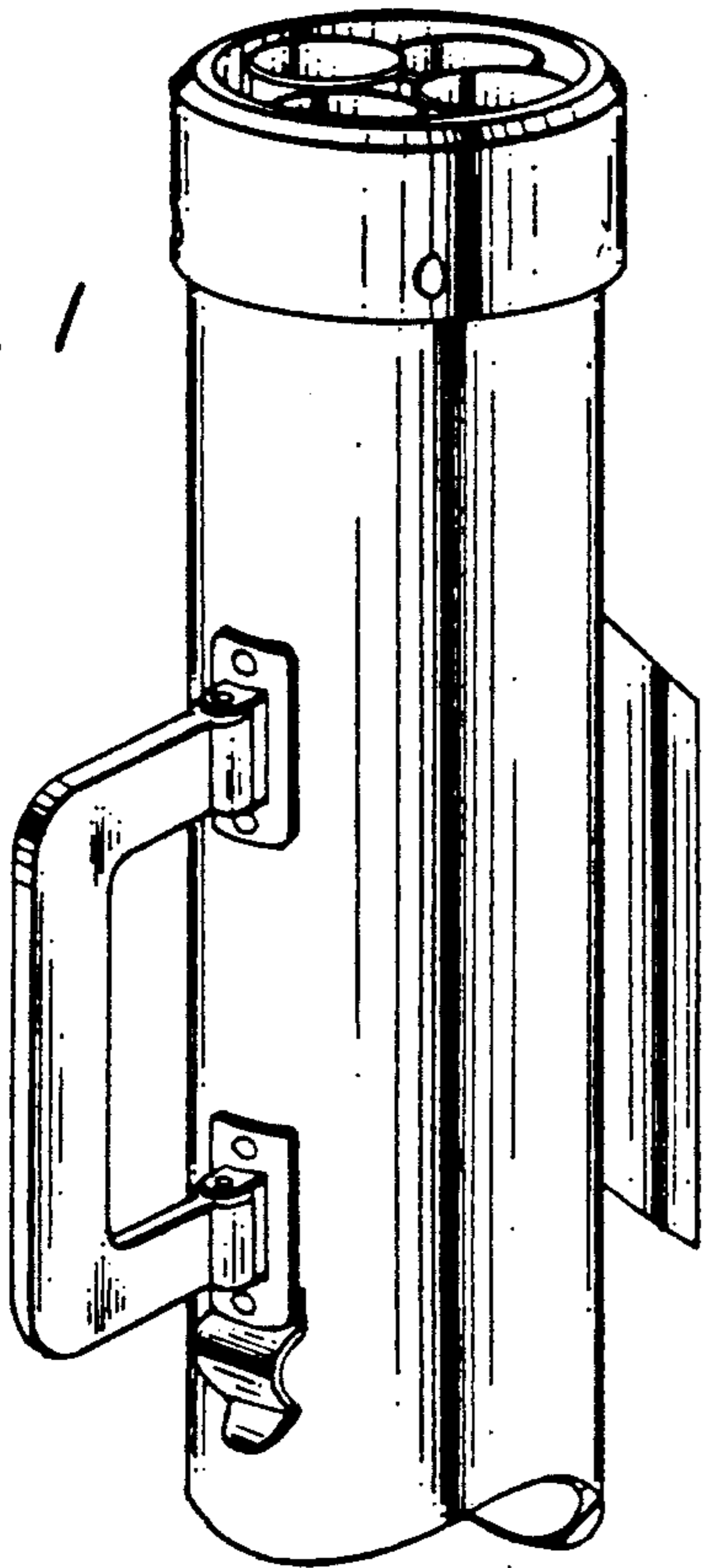


FIG. 2

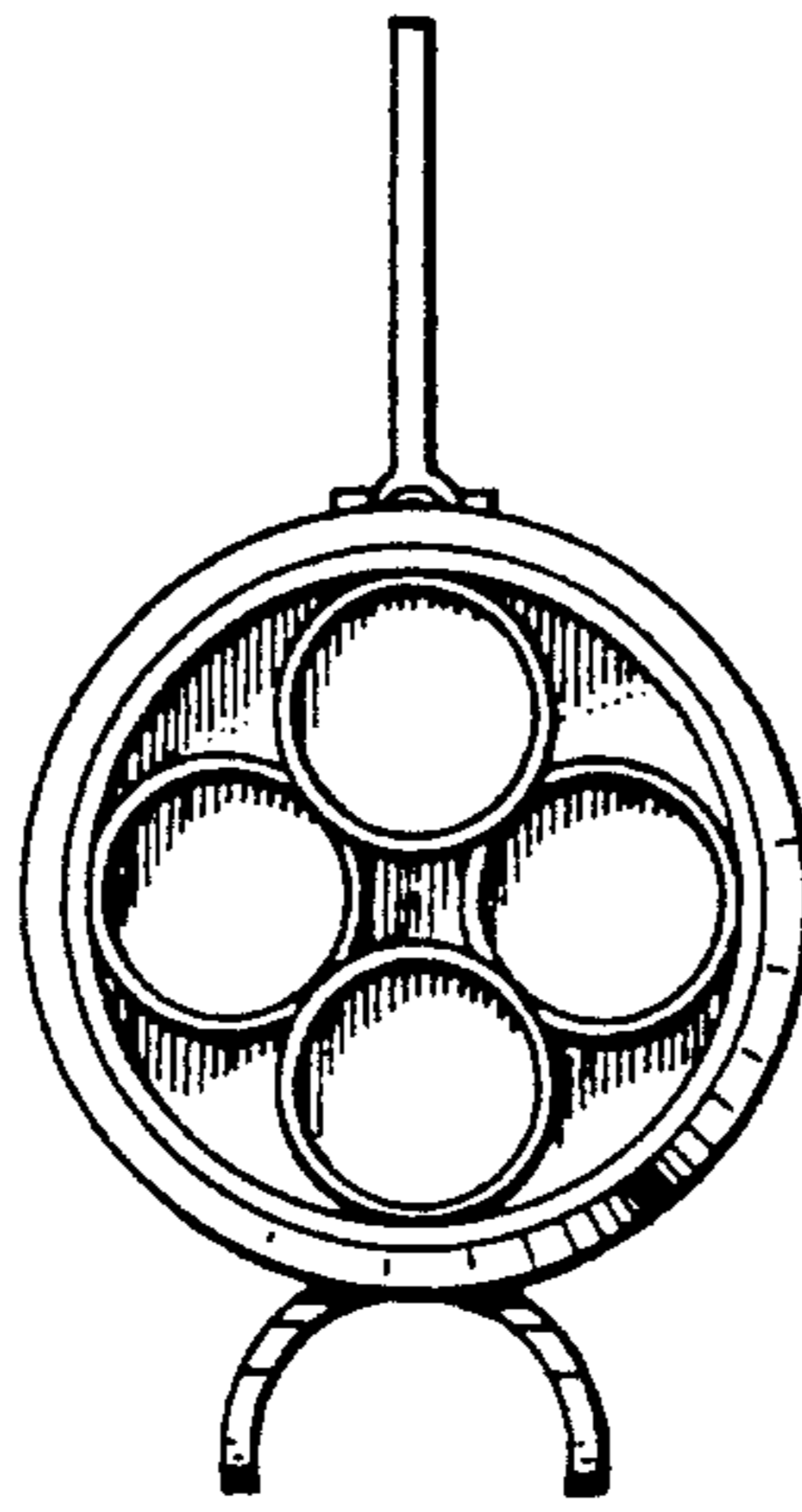
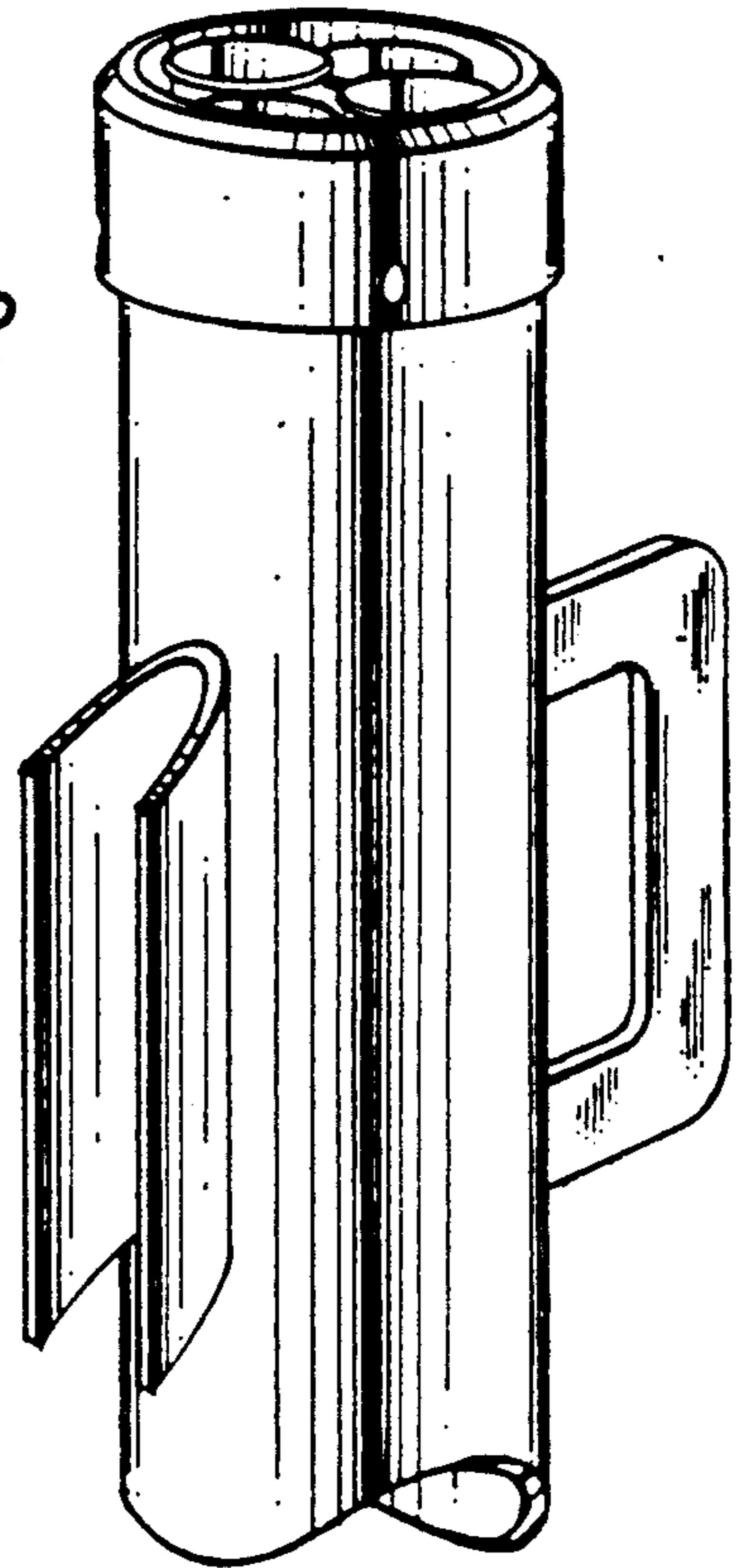


FIG. 3

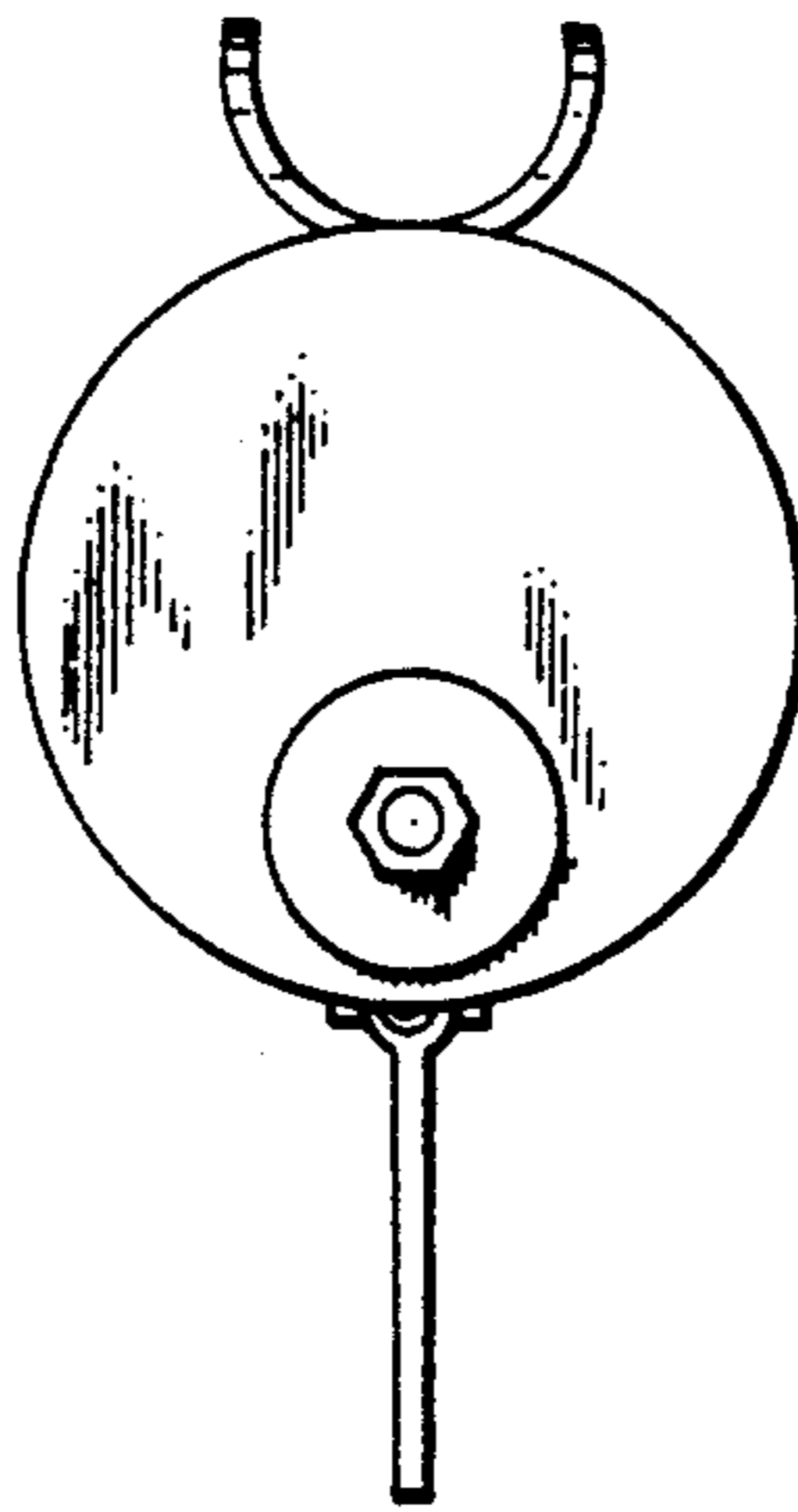
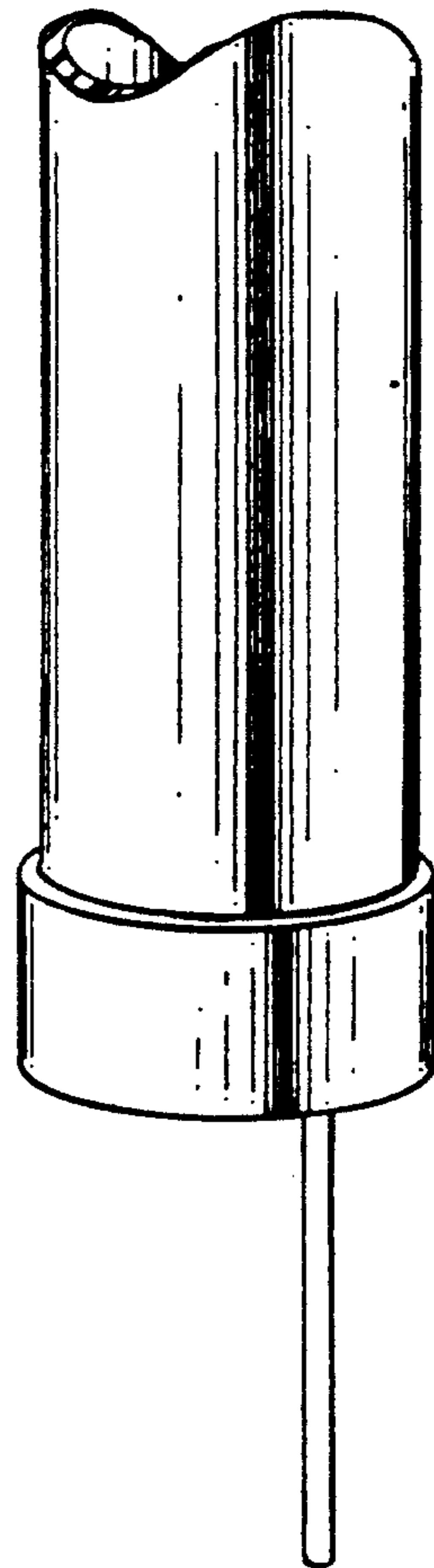
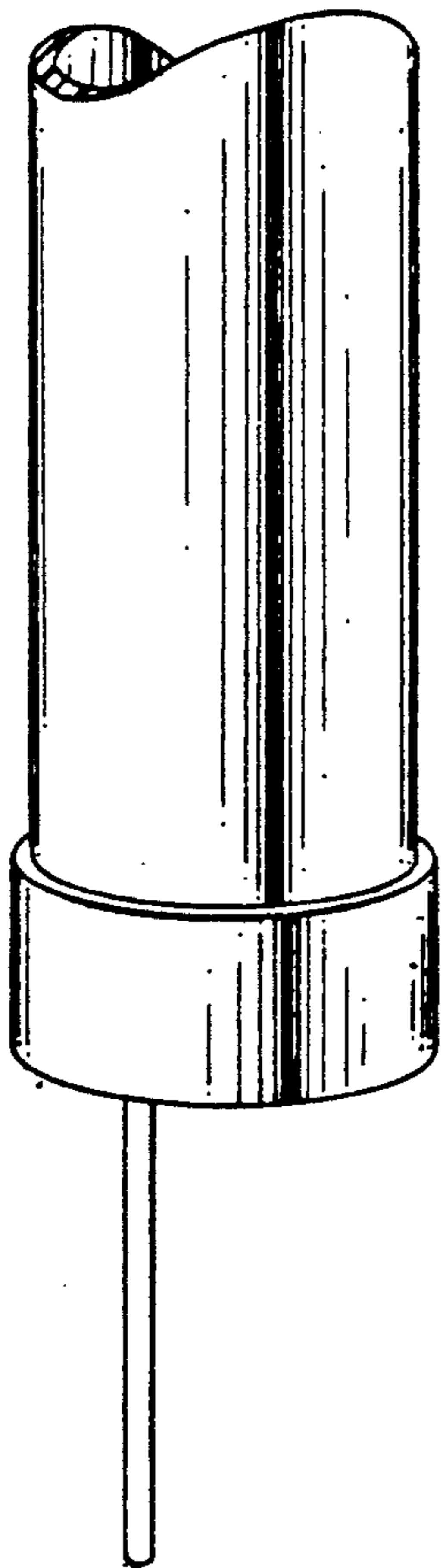


FIG. 4



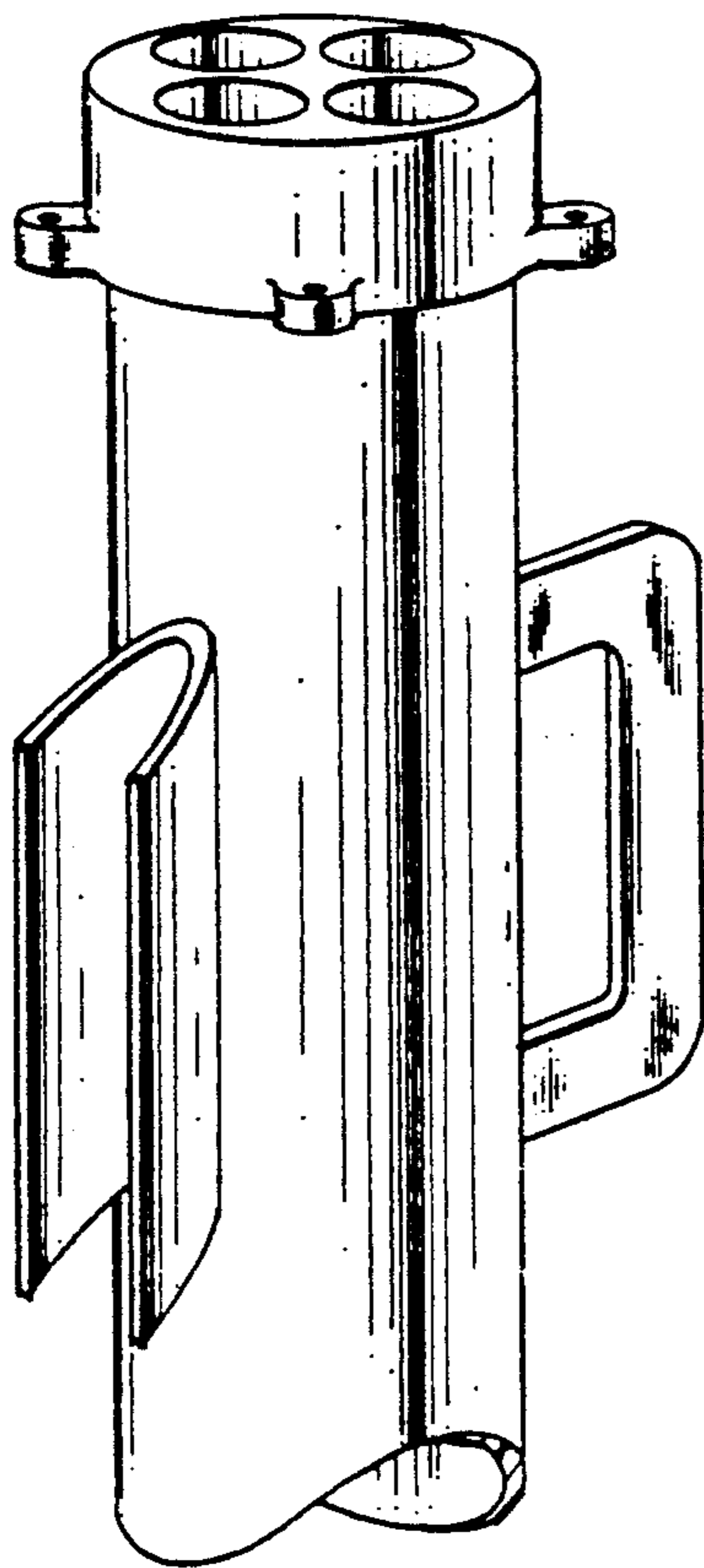


FIG. 5

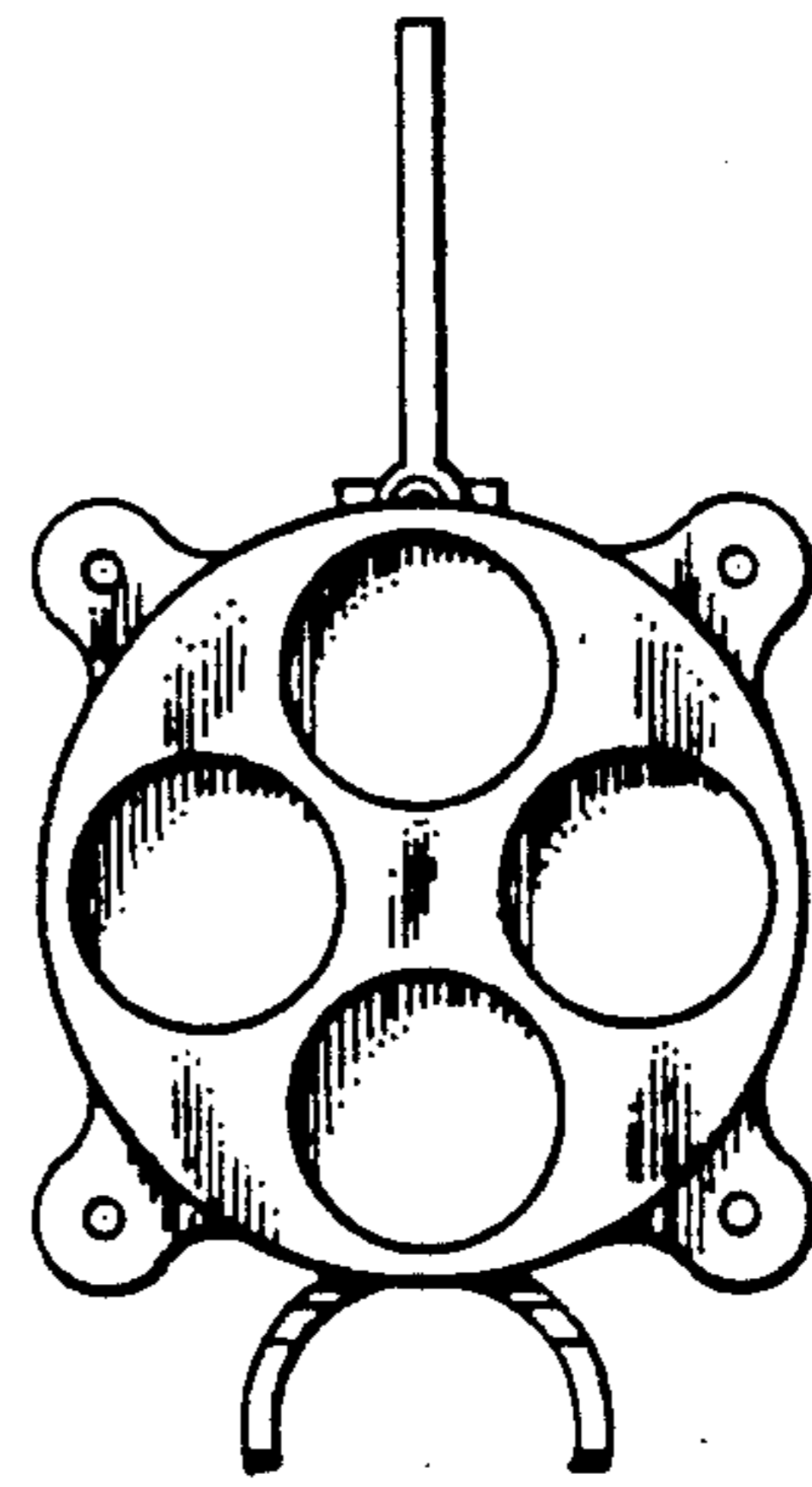


FIG. 6

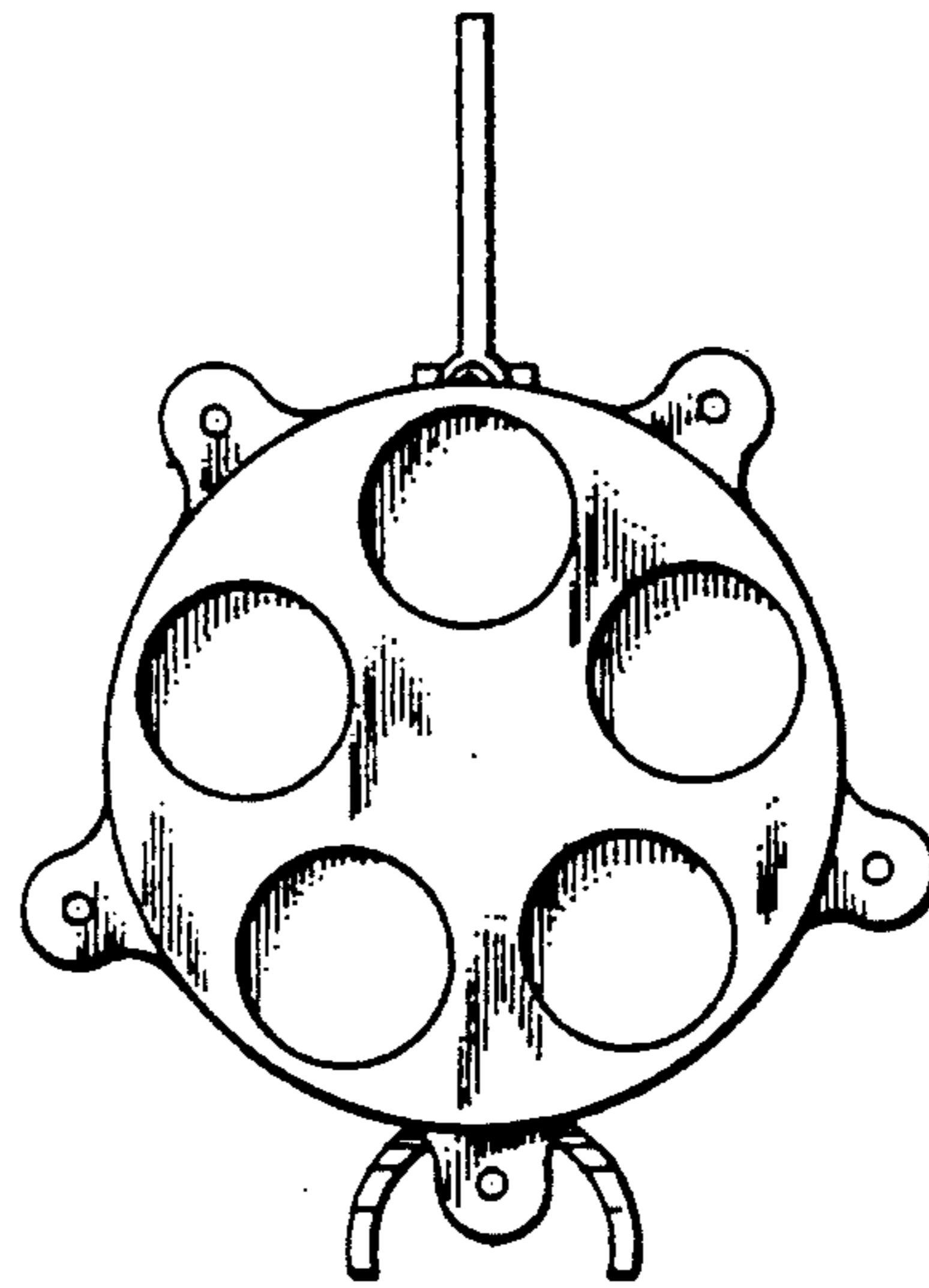


FIG. 7

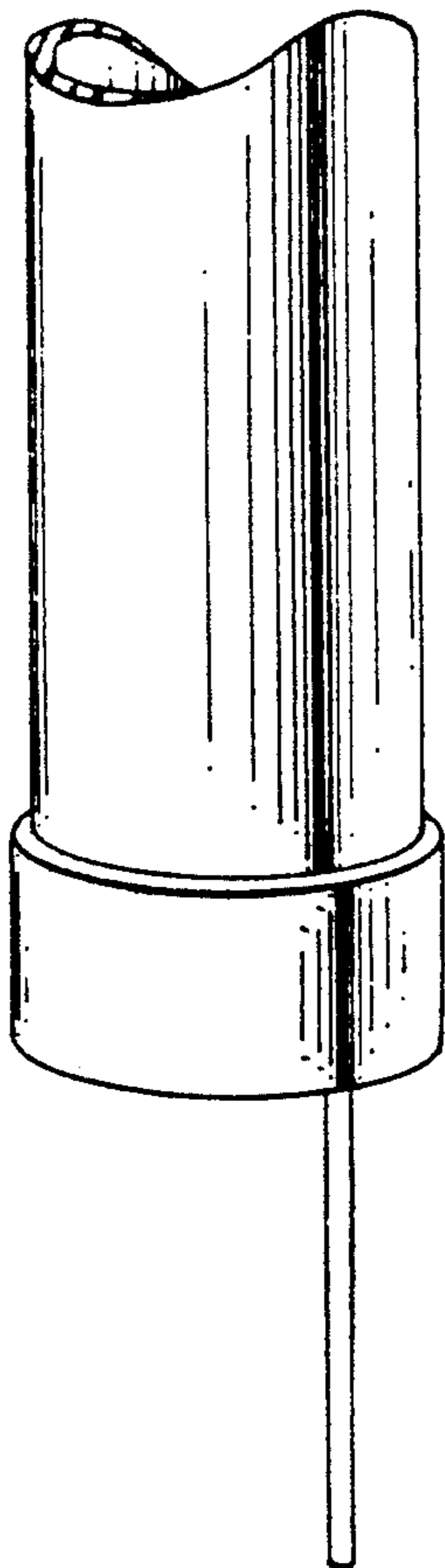
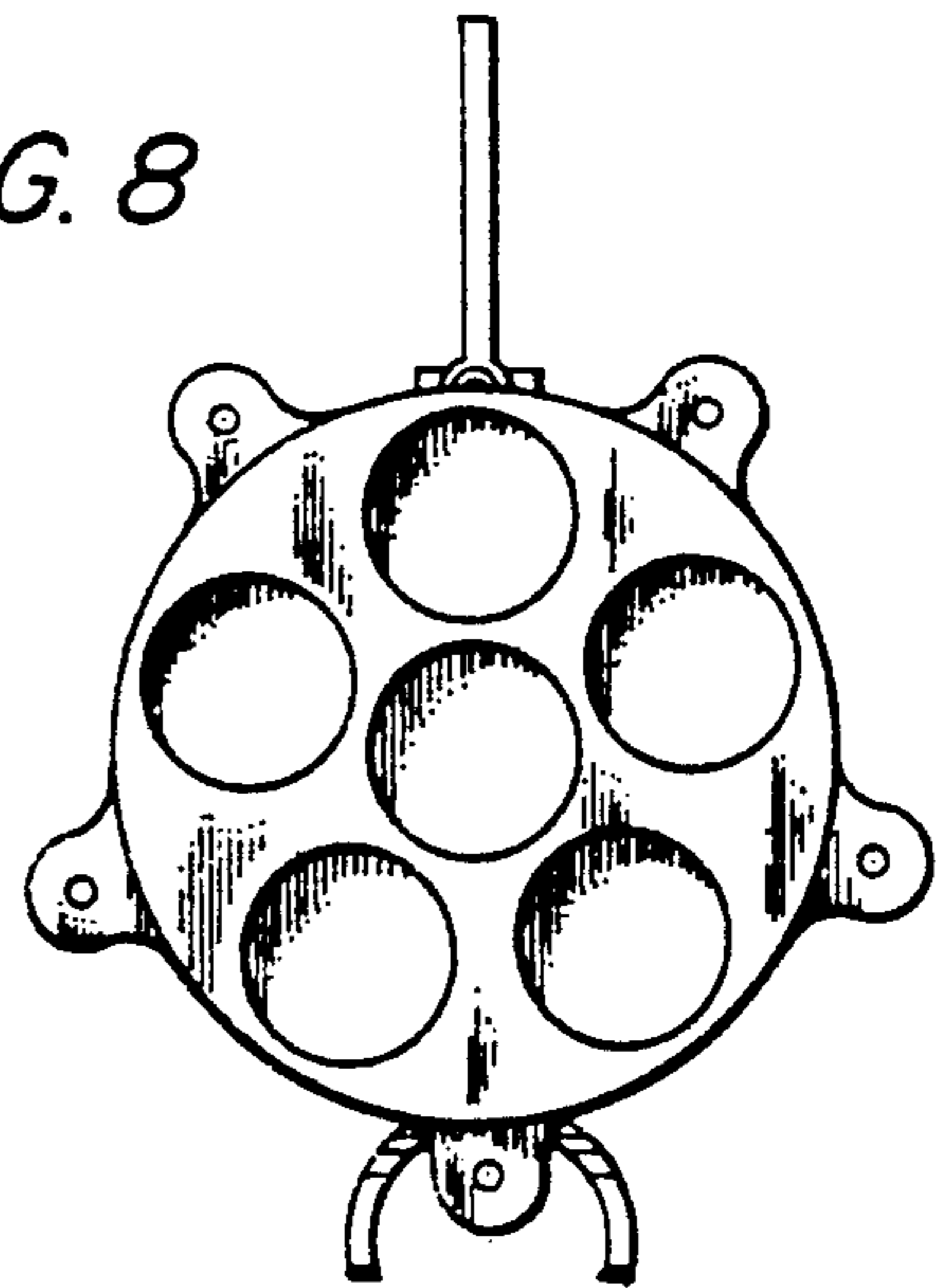
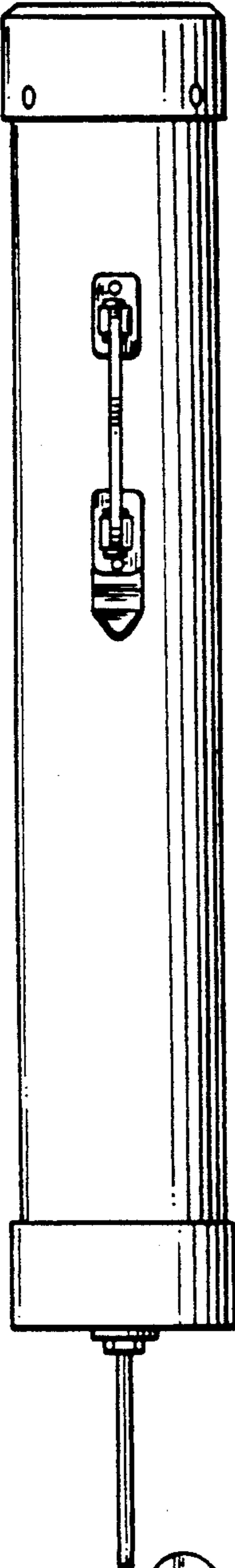


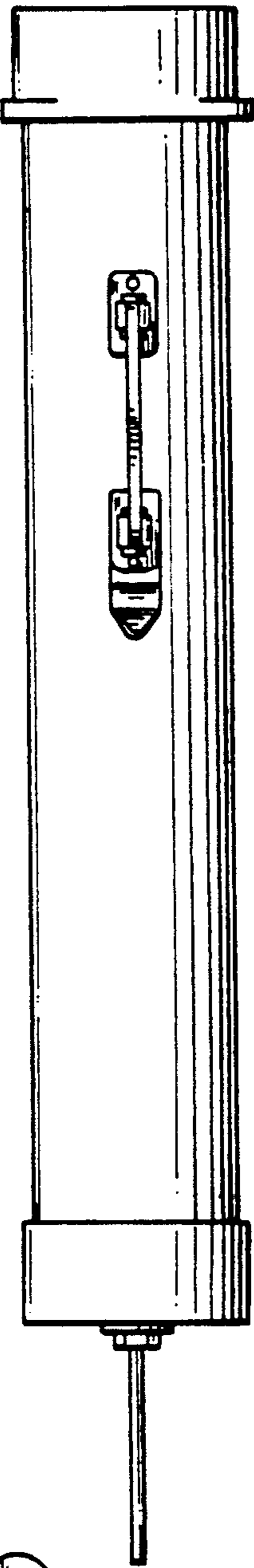
FIG. 8



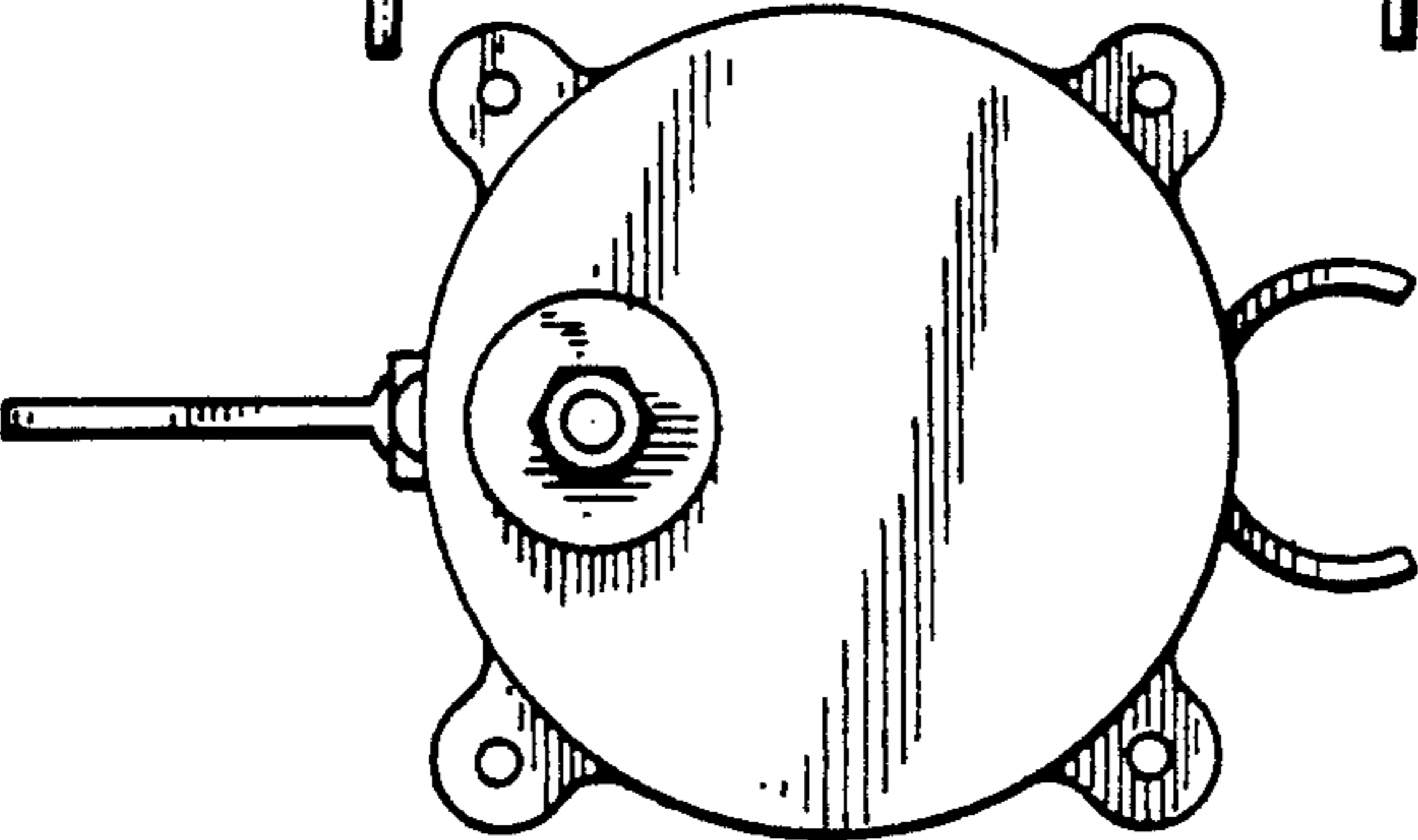
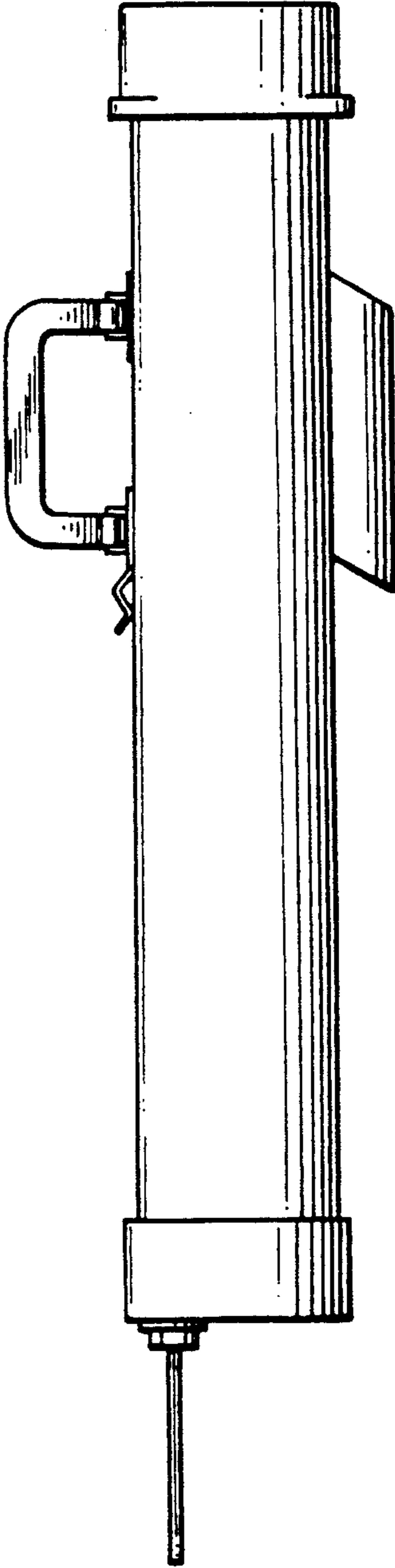
*FIG. 9*



*FIG. 10*



*FIG. 11*



*FIG. 12*