



US00D341697S

United States Patent [19]
Pratt

[11] **Patent Number: Des. 341,697**
[45] **Date of Patent: ** Nov. 30, 1993**

[54] **SKATE BOOT**

[75] **Inventor: Kenneth W. Pratt, Ware, Mass.**

[73] **Assignee: Seneca Sports Inc., Milford, Mass.**

[**] **Term: 14 Years**

[21] **Appl. No.: 870,712**

[22] **Filed: Apr. 17, 1992**

[52] **U.S. Cl. D2/904; D21/225**

[58] **Field of Search D2/264, 265, 272-276,
D2/308-314; 36/45, 83, 84, 89, 112-117;
D21/226, 225**

[56] **References Cited**

U.S. PATENT DOCUMENTS

- D. 269,222 6/1983 Olivieri D2/309
- D. 319,340 8/1991 Kranjc et al. D2/276

- D. 325,663 4/1992 Barret et al. D2/276
- D. 327,360 6/1992 Graham D2/276

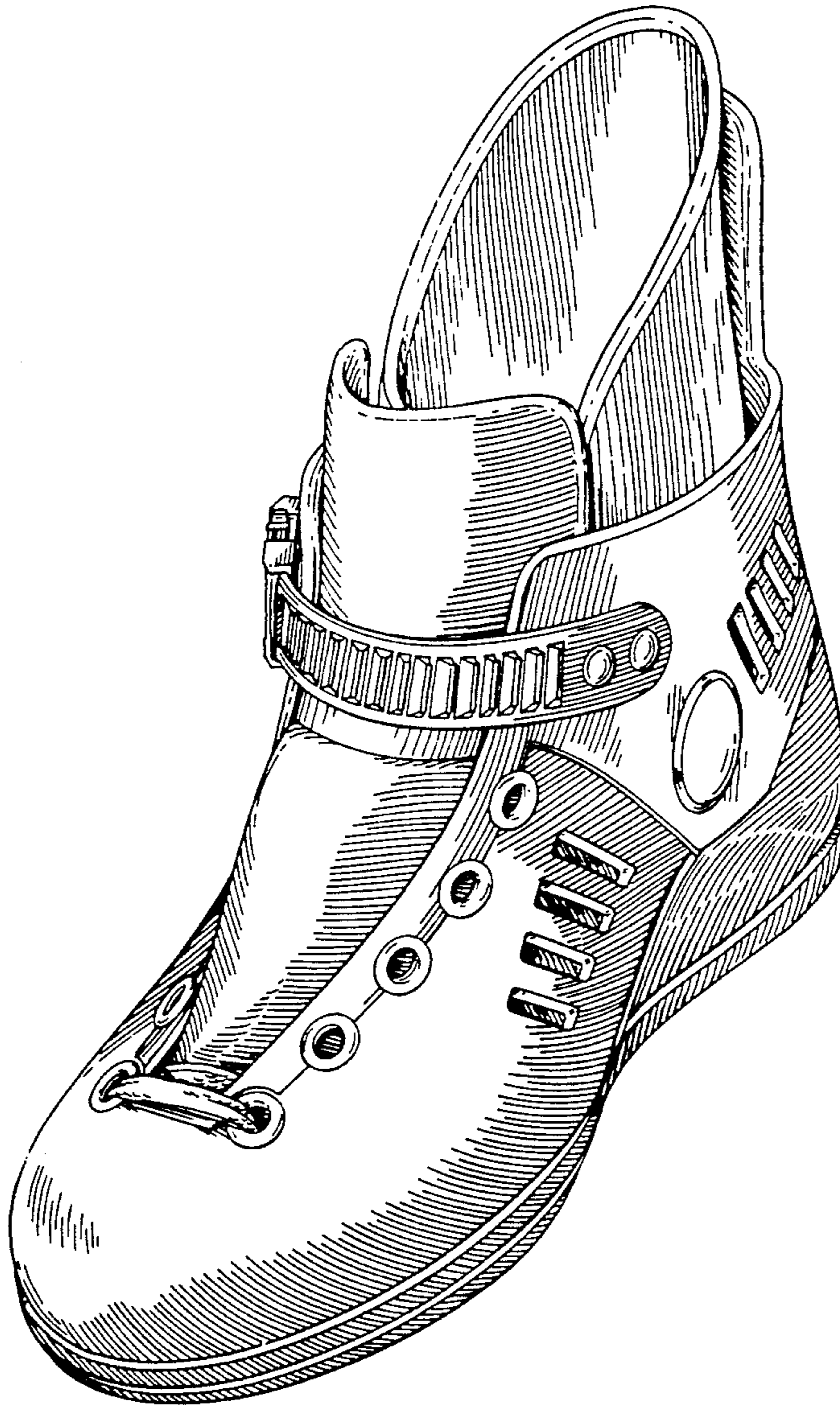
Primary Examiner—Louis S. Zarfes
Attorney, Agent, or Firm—Fish & Richardson

[57] **CLAIM**

The ornamental design for a skate boot, as shown and described.

DESCRIPTION

FIG. 1 is a perspective view of a skate boot showing my new design;
FIG. 2 is a right side elevational view;
FIG. 3 is a left side elevational view;
FIG. 4 is a front elevational view;
FIG. 5 is a rear elevational view;
FIG. 6 is a top plan view; and,
FIG. 7 is a bottom plan view.



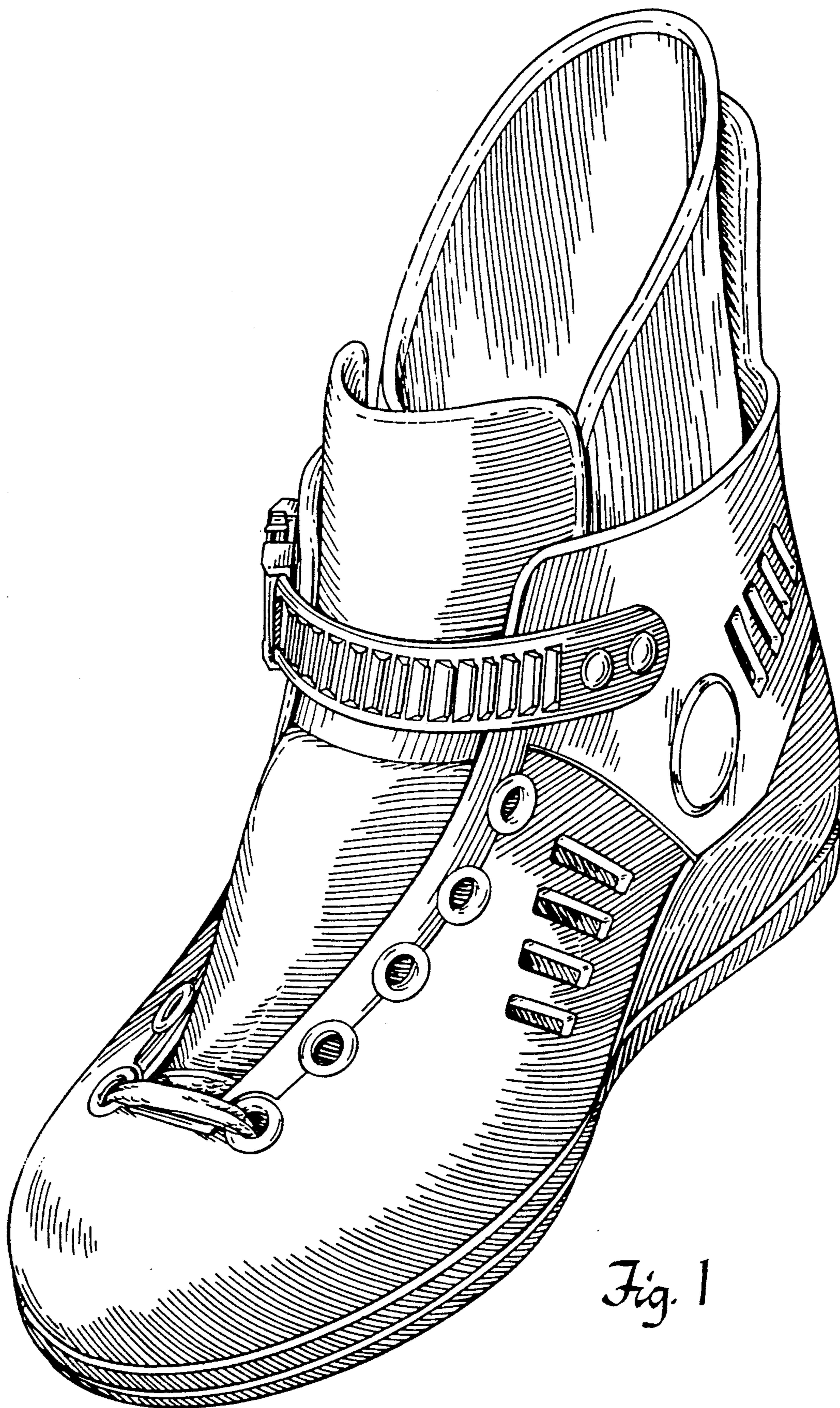


Fig. 1

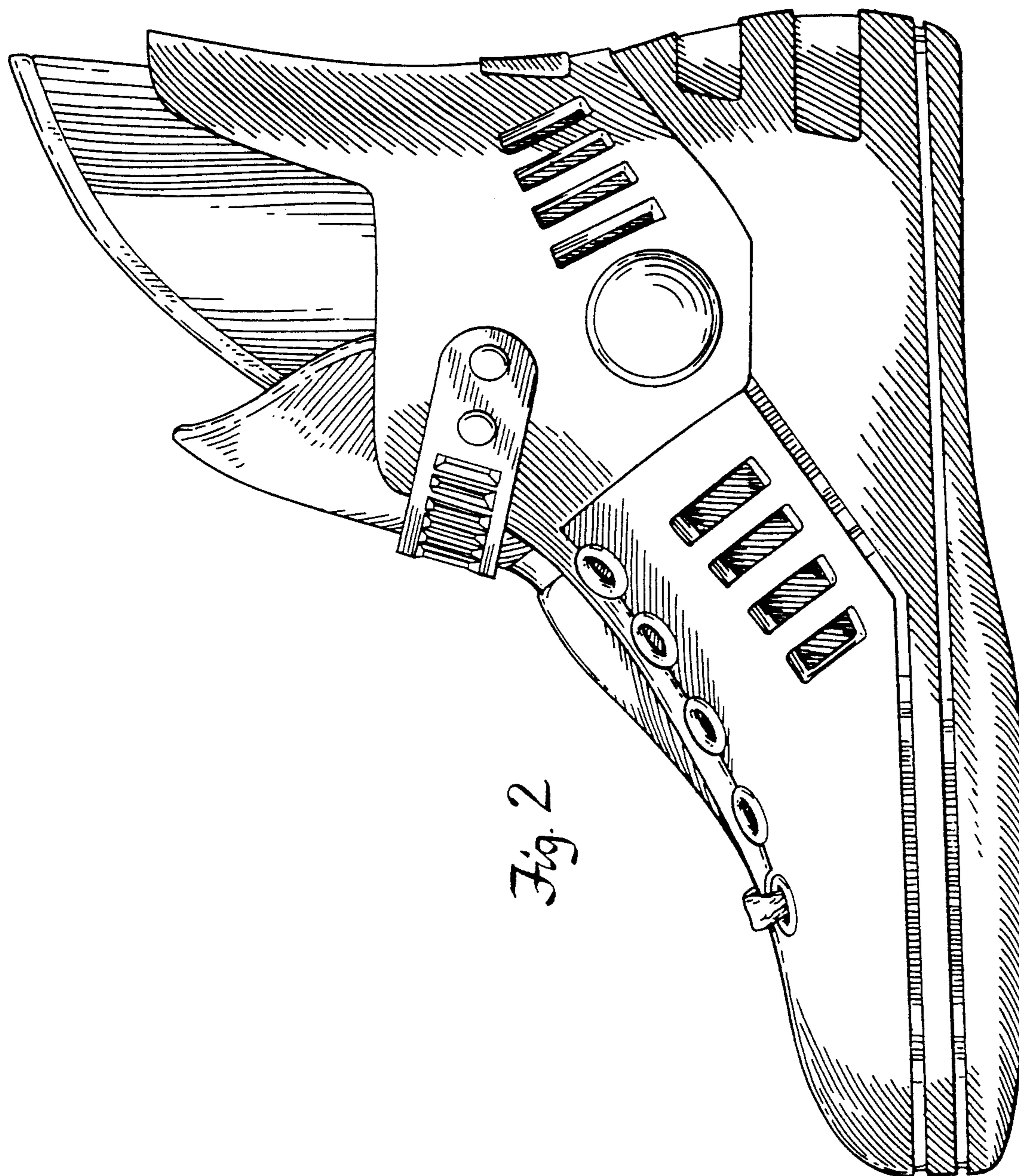


Fig. 2

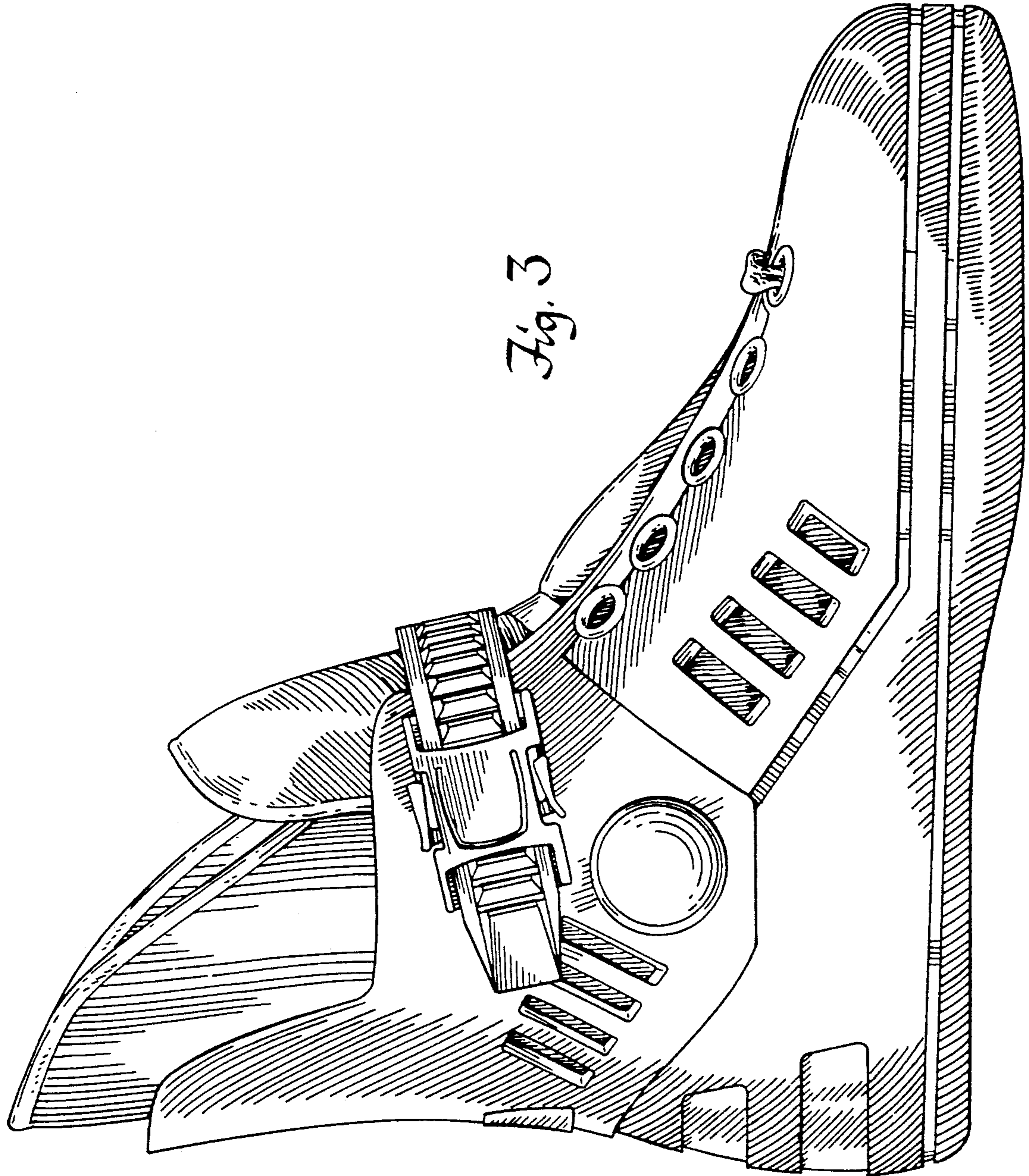


Fig. 3

Fig. 4

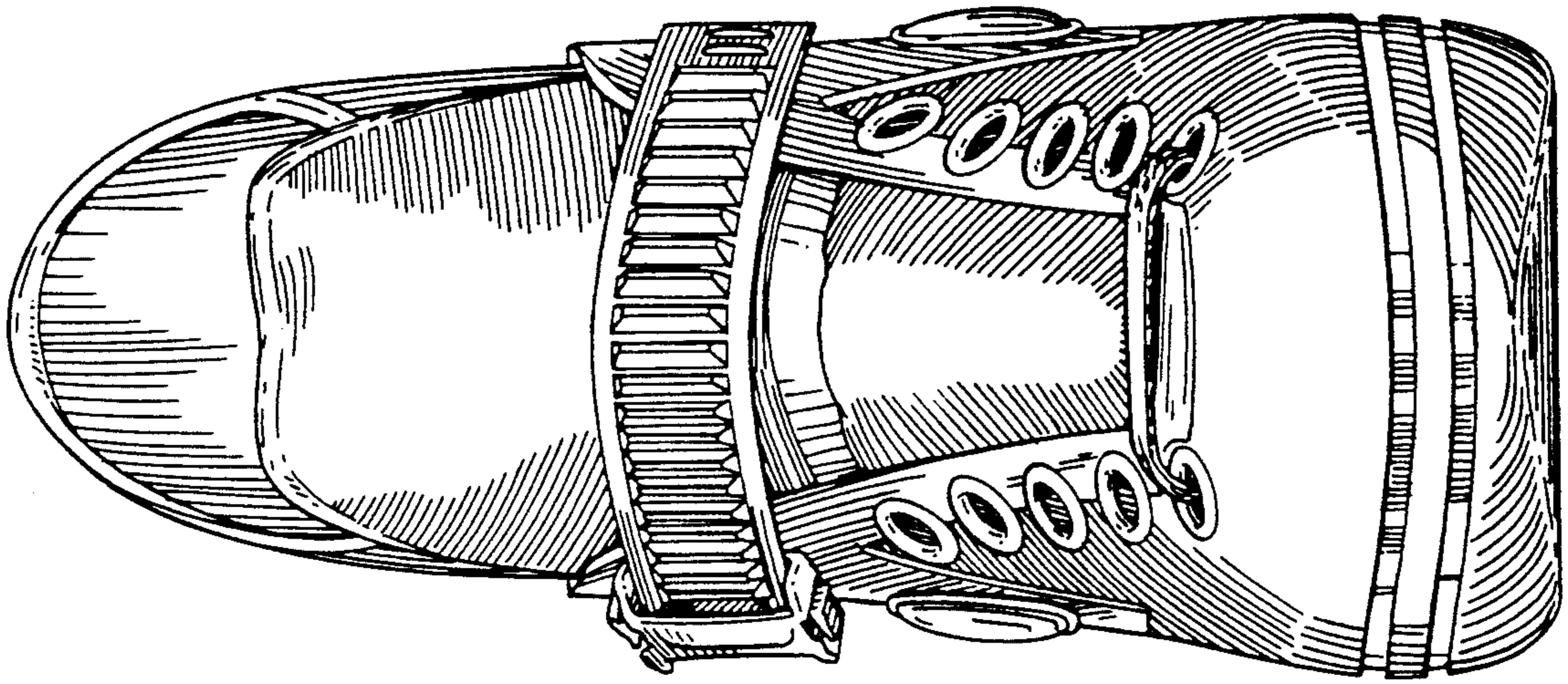
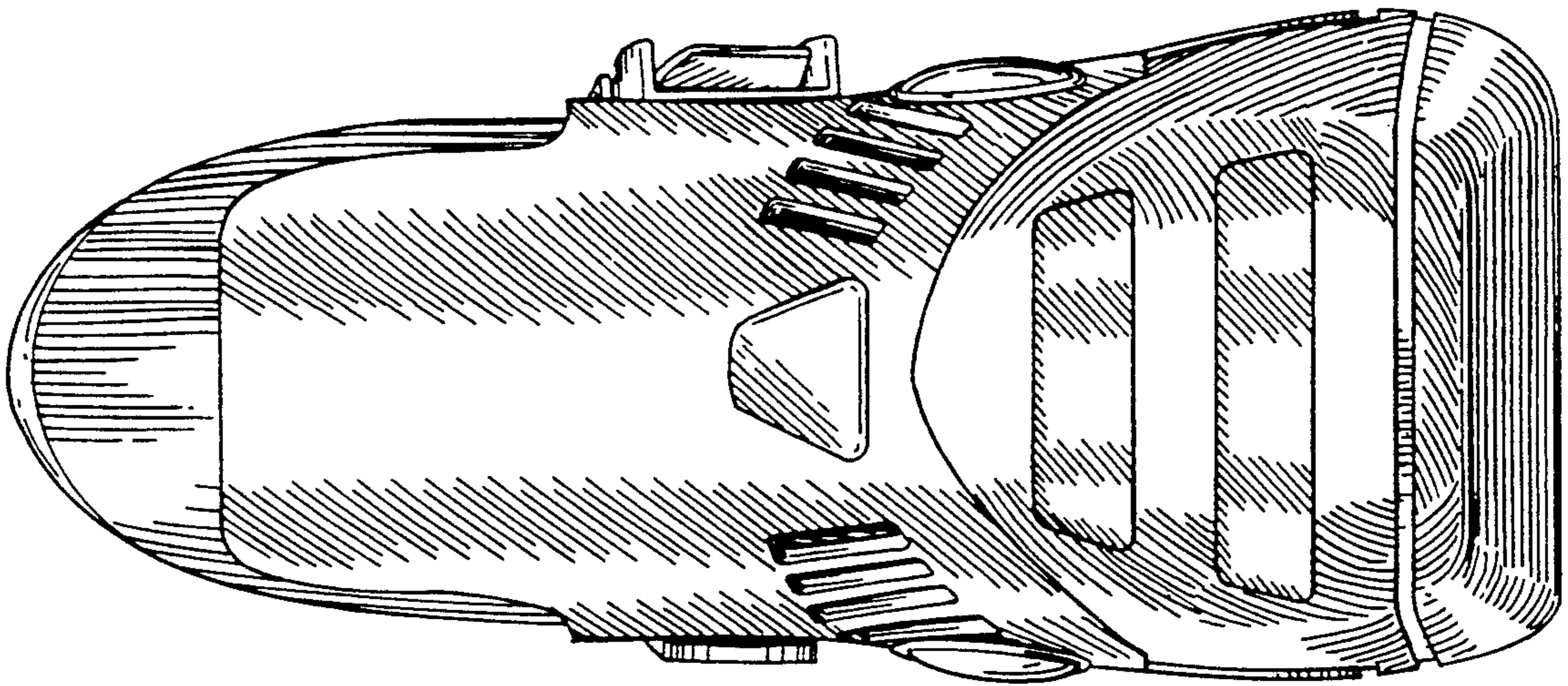


Fig. 5



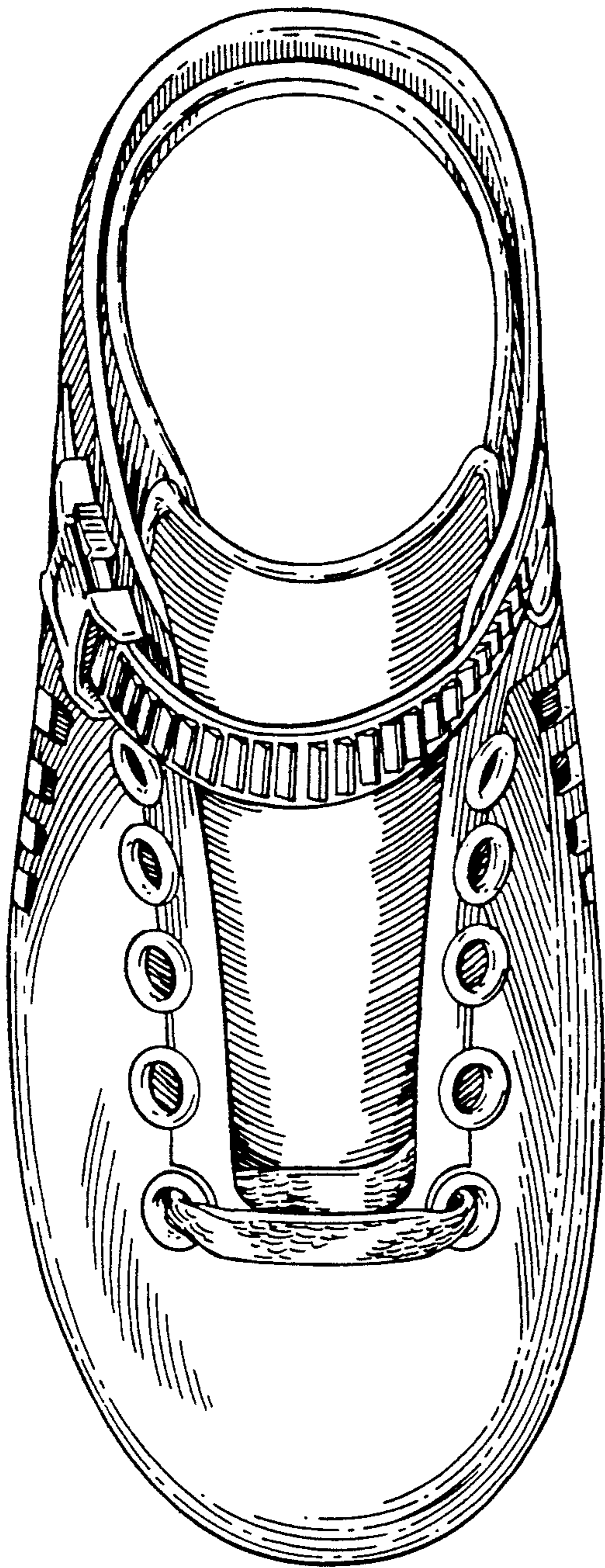


Fig. 6

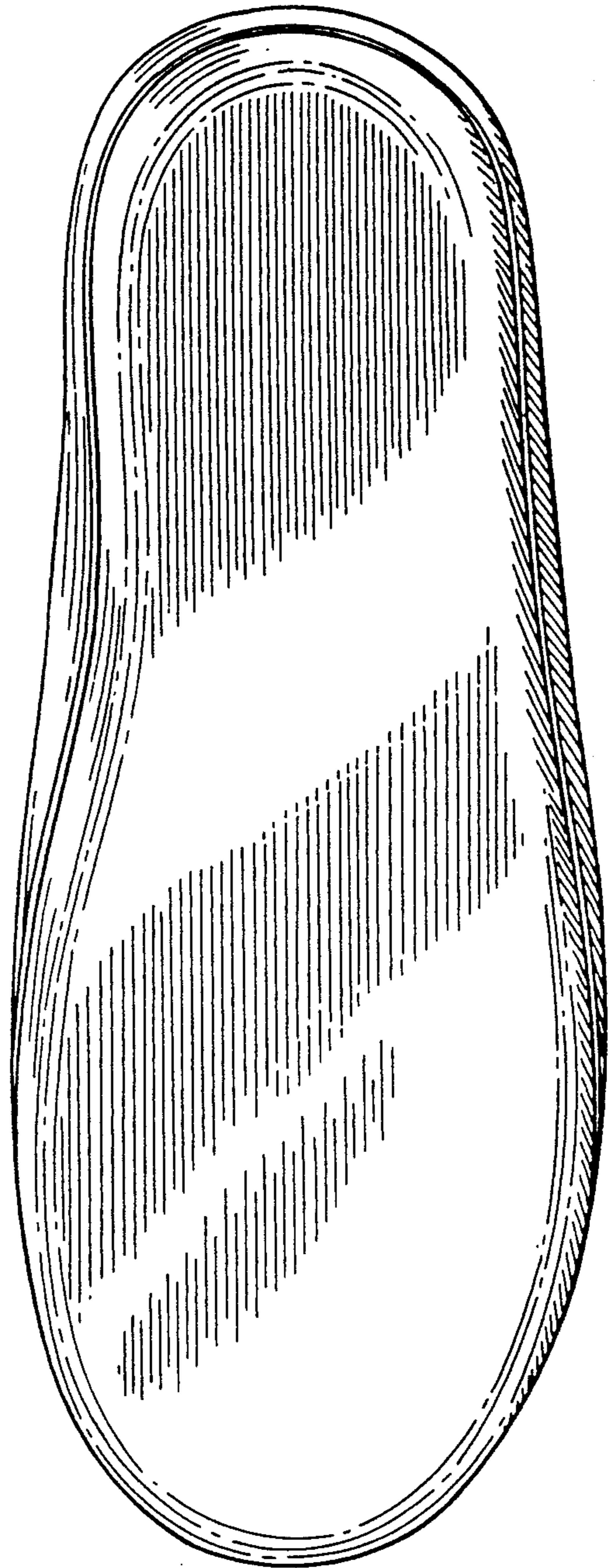


Fig. 7