



US00D341692S

United States Patent [19]

[11] Patent Number: **Des. 341,692**

Klepac

[45] Date of Patent: **** Nov. 23, 1993**

[54] **PORTABLE TOOL BOX**

[76] Inventor: **Daniel T. Klepac**, 5411 Rancho Rd.,
Needville, Tex. 77461

[**] Term: **14 Years**

[21] Appl. No.: **950,032**

[22] Filed: **Sep. 23, 1992**

[52] U.S. Cl. **D34/44; D13/142;**
D26/51; D3/30.1; D3/99

[58] Field of Search **D34/40-46;**
D3/30.1, 99; D13/142; D26/51; 206/349;
312/902, 244; 362/154, 253

3,294,968	12/1966	Cloyd .	
4,058,210	11/1977	Mitchell	312/902 X
4,122,944	10/1978	De Napoli	312/902 X
4,458,304	7/1984	Imadahl .	
4,458,963	7/1984	Keddie .	
4,667,822	5/1987	Coopmans .	
4,861,050	8/1989	Bergeron .	
5,143,440	9/1992	Trampota	362/154 X

Primary Examiner—Prabhakar G. Deshmukh
Attorney, Agent, or Firm—Pravel, Hewitt, Kimball &
Krieger

[56] **References Cited**

U.S. PATENT DOCUMENTS

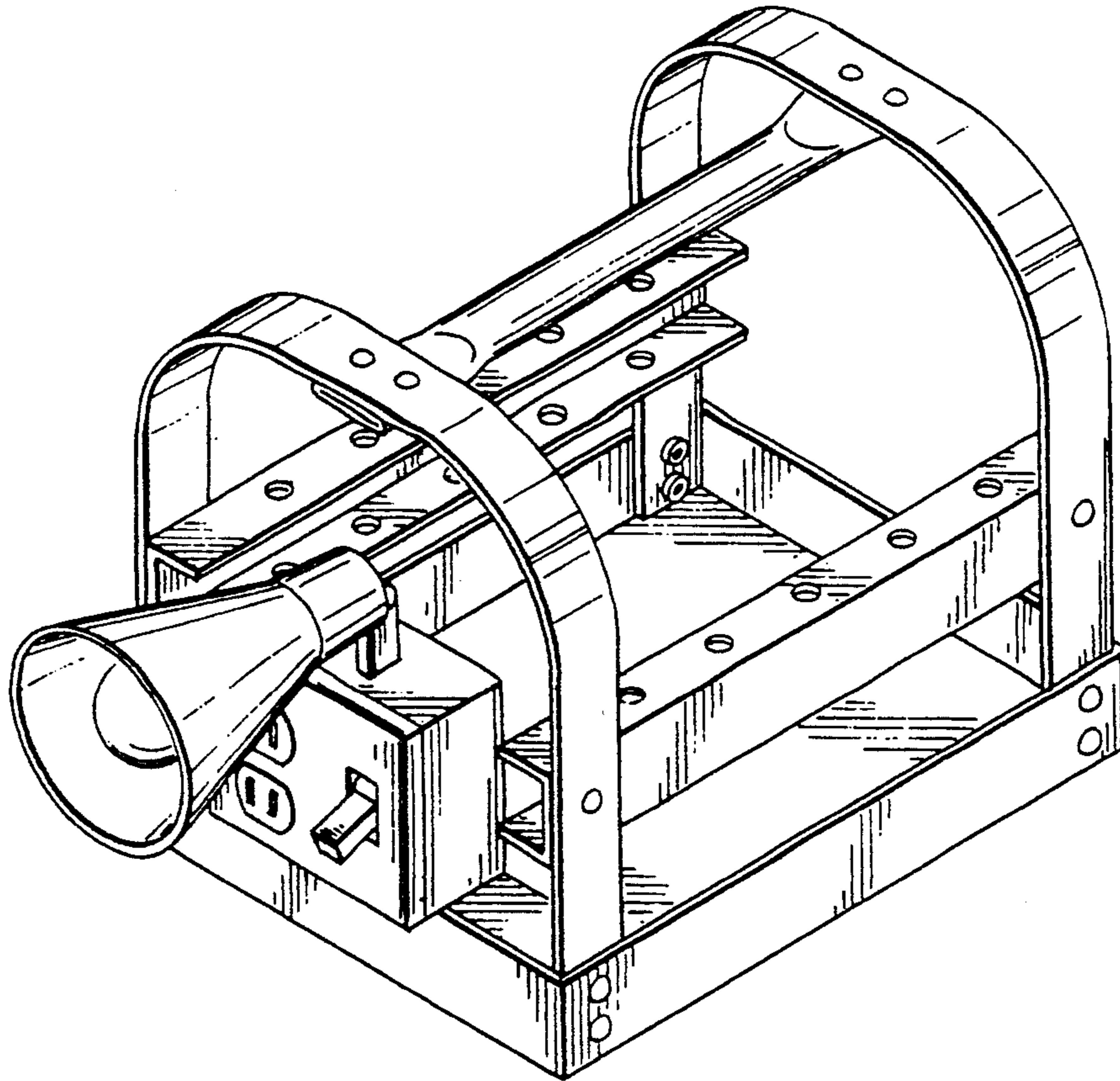
D. 218,722	9/1970	Vaccaro	D34/44
D. 292,792	11/1987	Henry	D26/51
D. 294,822	3/1988	Bannigan	D34/44 X
D. 304,324	10/1989	Lovett et al.	D13/142
2,819,938	1/1958	Zerver .	
3,177,358	4/1965	Suttie .	
3,231,730	1/1986	Wanger .	

[57] CLAIM

The ornamental design for portable tool box, as shown and described.

DESCRIPTION

FIG. 1 is a perspective view of a portable tool box showing my new design;
FIG. 2 is a front elevational view thereof; the rear elevational view being a mirror image thereof;
FIG. 3 is a top plan view thereof;
FIG. 4 is a right side elevational view thereof; and,
FIG. 5 is a left side elevational view thereof.



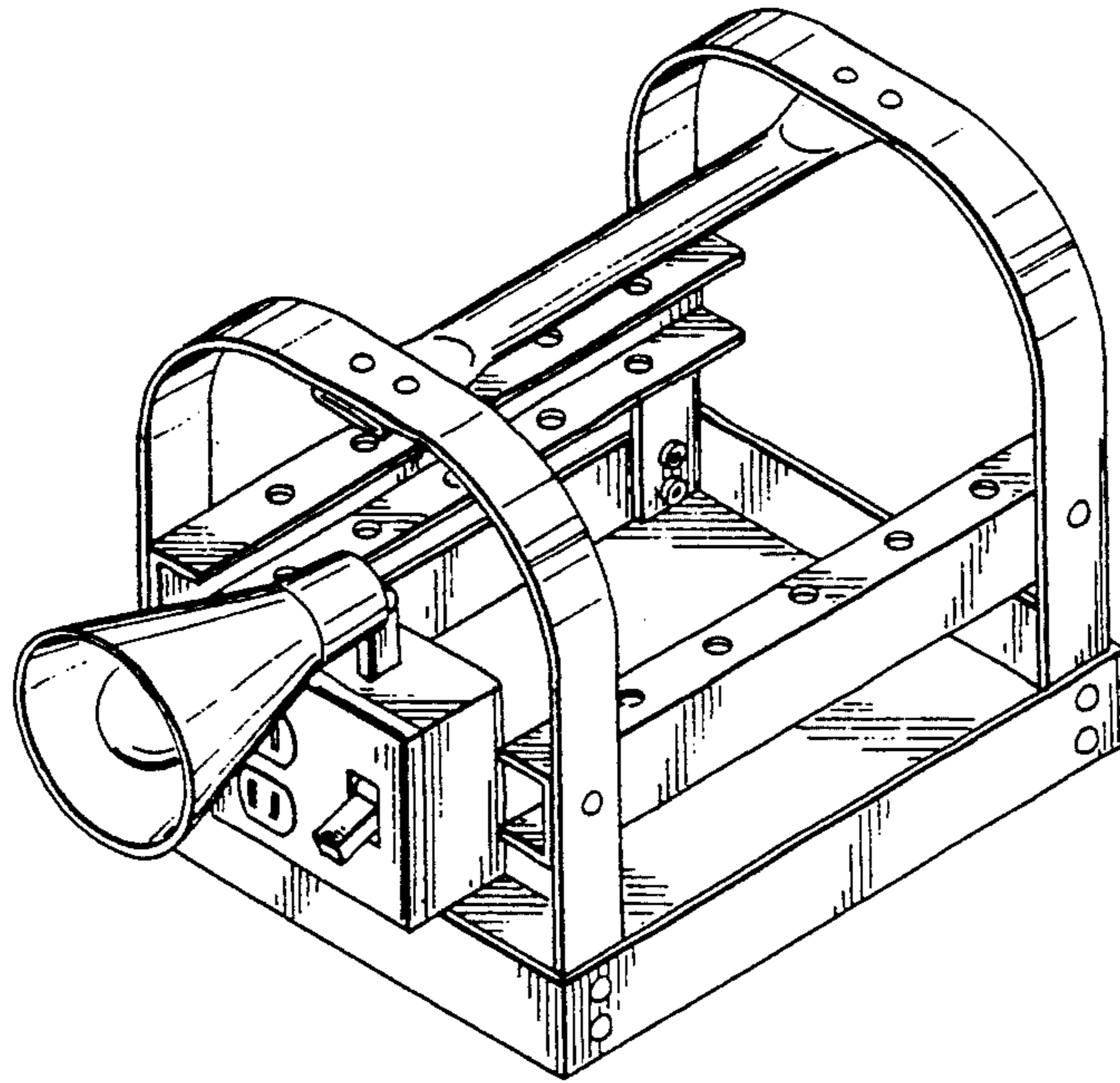


FIG. 1

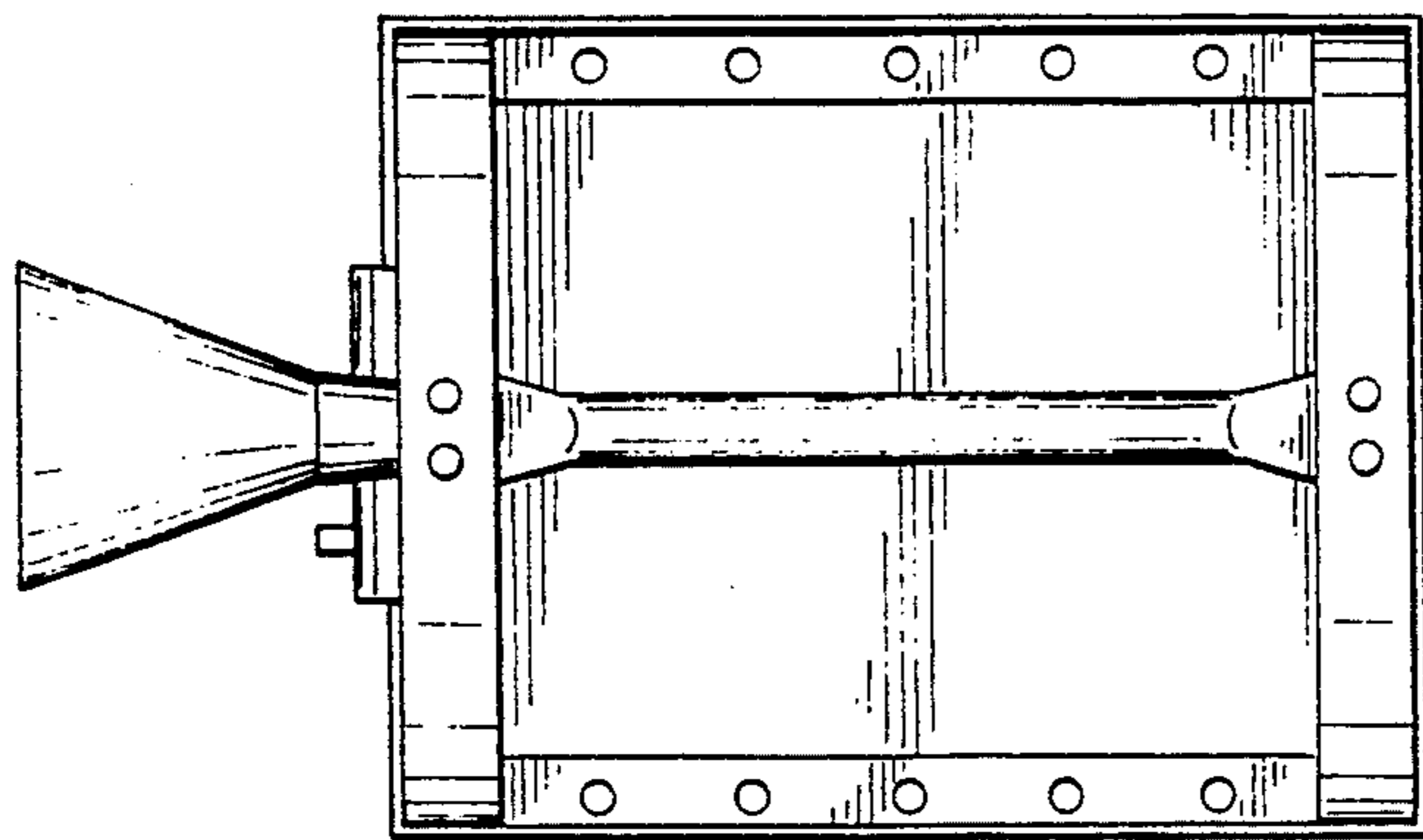


FIG. 3

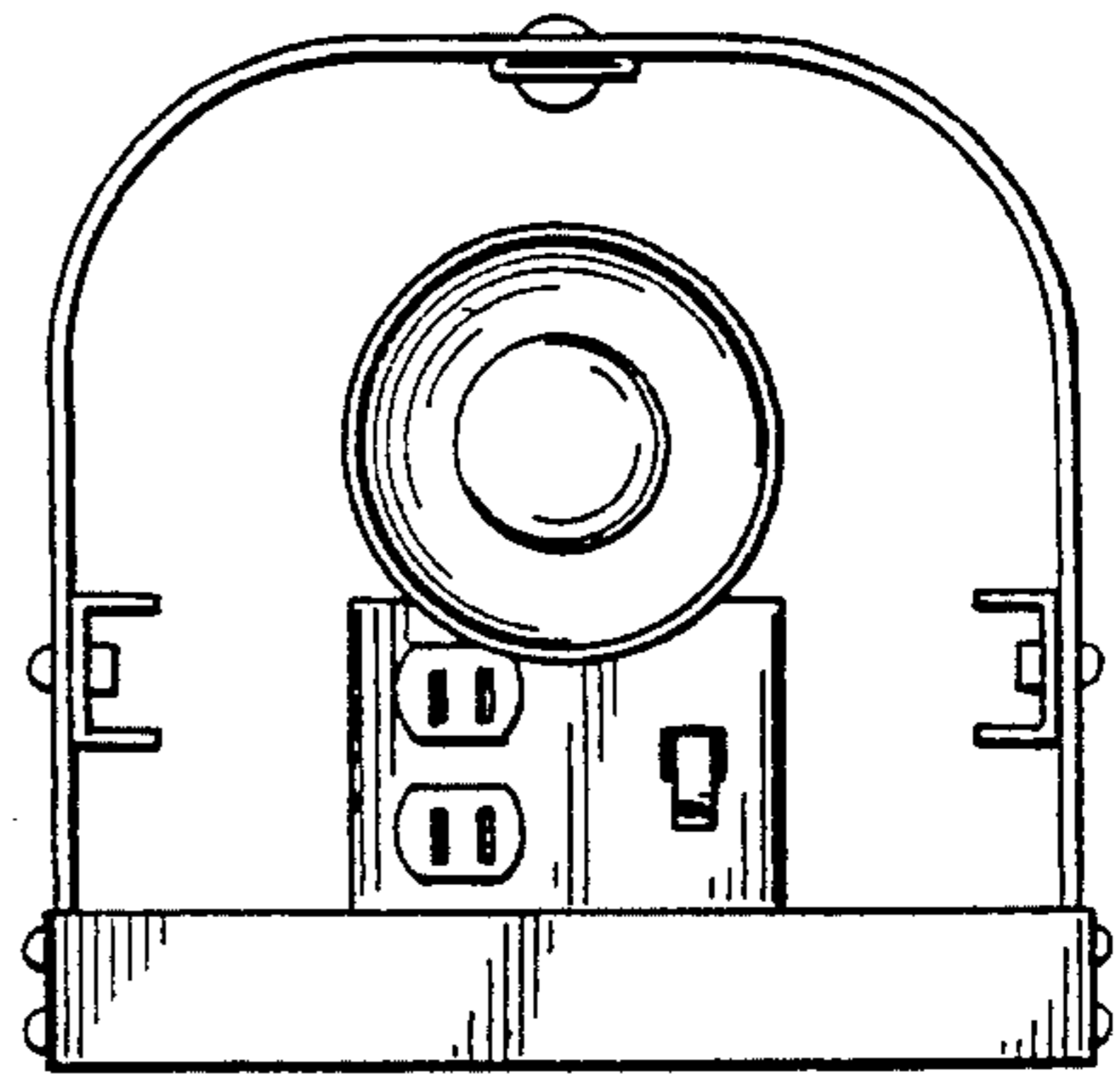


FIG. 5

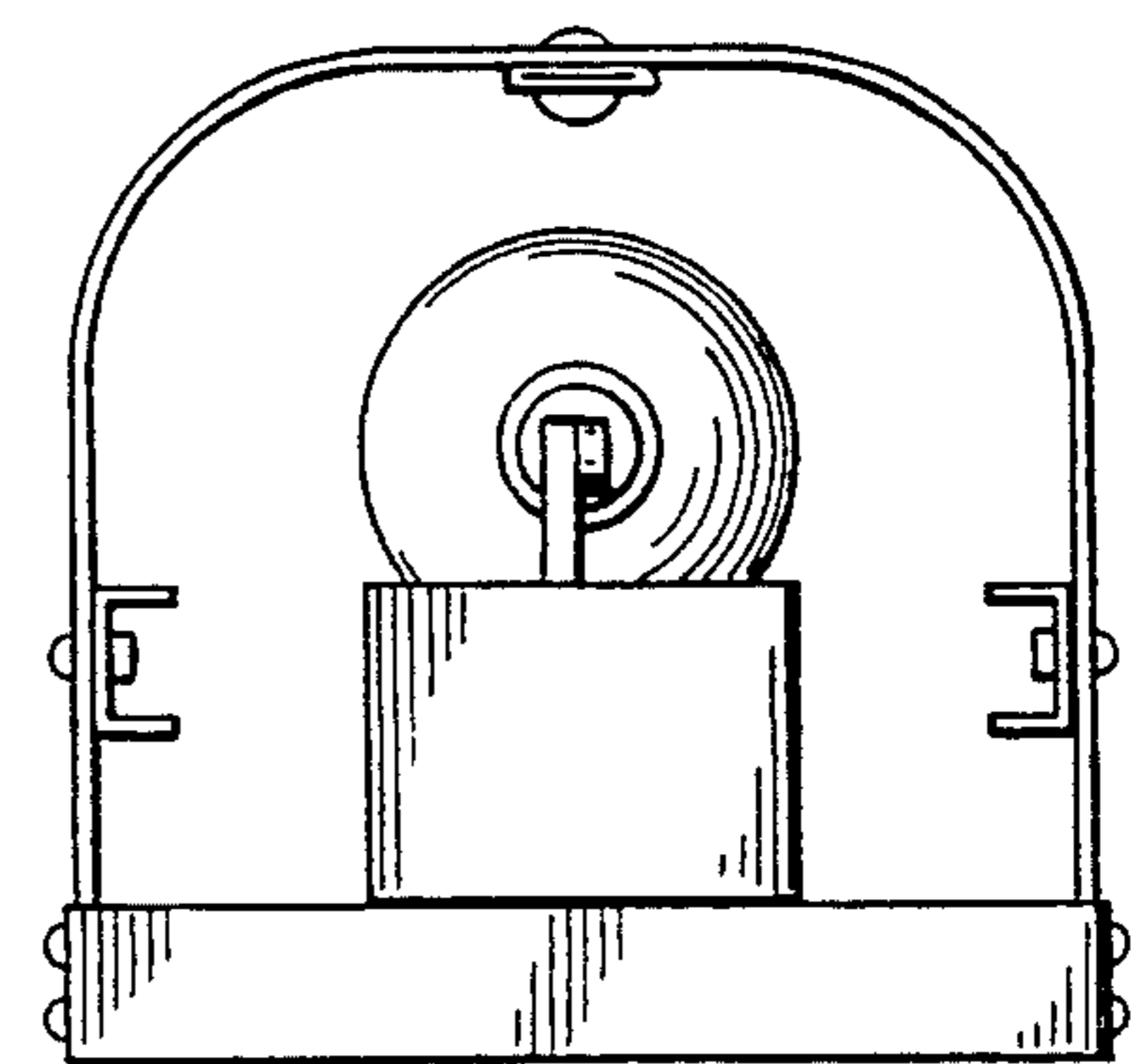


FIG. 4

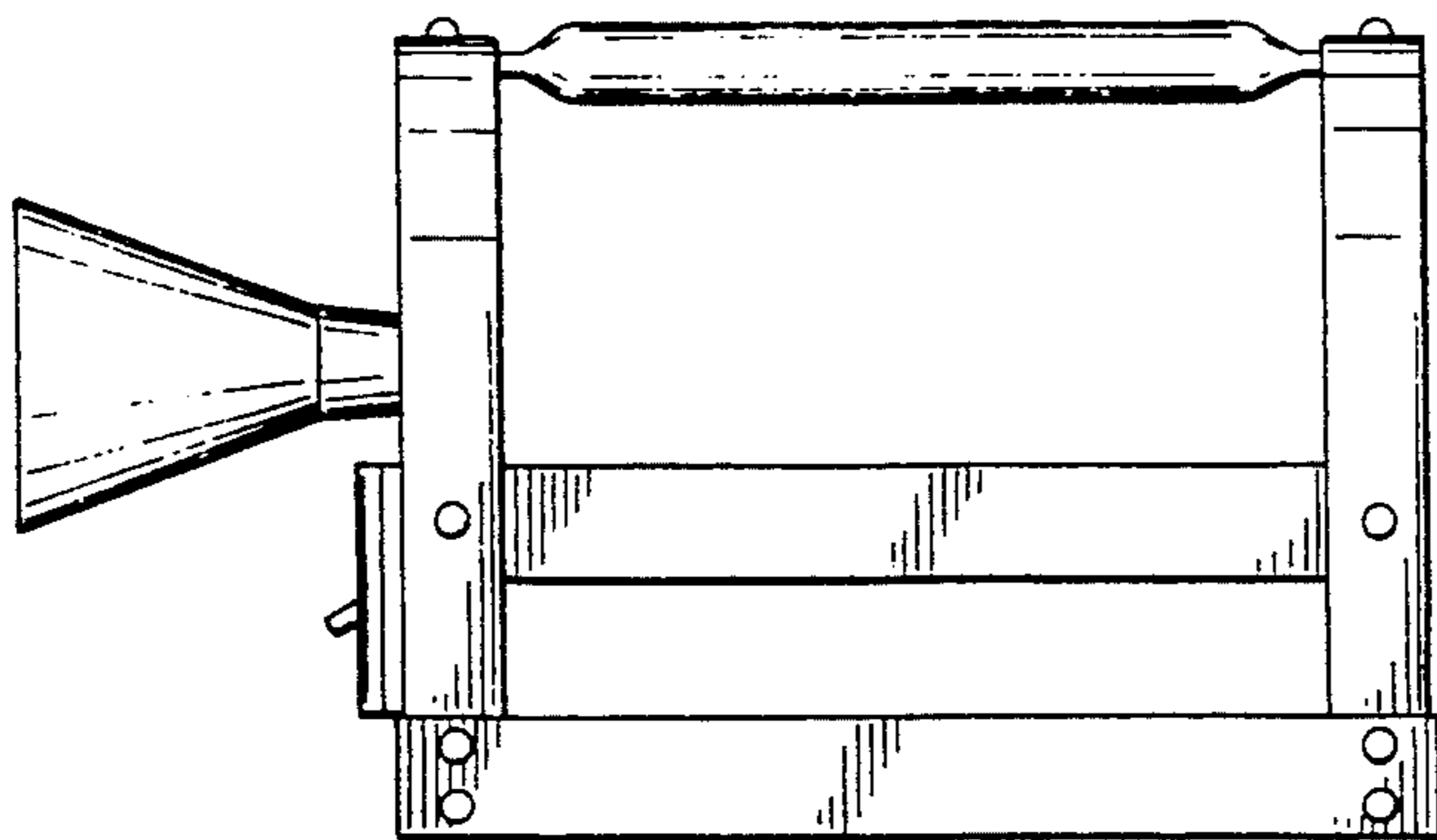


FIG. 2