



US00D341688S

United States Patent [19]

[11] Patent Number: **Des. 341,688**

Binkley et al.

[45] Date of Patent: **** Nov. 23, 1993**

[54] BAG HOLDER

[76] Inventors: **Gregory R. Binkley**, 8036 Rhode Island Cir., Bloomington, Minn. 55438; **Thomas J. Gillespie**, 5621 Abbott Ave. South, Edina, Minn. 55410

[**] Term: **14 Years**

[21] Appl. No.: **903,182**

[22] Filed: **Jun. 25, 1992**

[52] U.S. Cl. **D34/5; D34/6**

[58] Field of Search **D34/1, 5, 6; 248/95, 248/97, 98, 99, 100, 101; 220/403, 908**

[56] References Cited

U.S. PATENT DOCUMENTS

| | | | | |
|------------|---------|-----------------|-------|-------|
| D. 229,018 | 11/1973 | Howard | | D34/6 |
| 1,760,752 | 5/1928 | Happer | . | |
| 3,847,332 | 11/1974 | Murai | . | |
| 4,174,085 | 11/1979 | Ferreira et al. | . | |
| 4,202,521 | 5/1980 | Harding | . | |
| 4,304,378 | 12/1981 | Briggs | . | |
| 4,307,861 | 12/1981 | Simpson et al. | . | |
| 4,667,912 | 5/1987 | DeVilbiss | . | |
| 4,705,246 | 11/1987 | Wolf | . | |
| 4,874,141 | 10/1989 | Schulz | . | |

FOREIGN PATENT DOCUMENTS

197802 2/1978 Switzerland .

Primary Examiner—Kay H. Chin

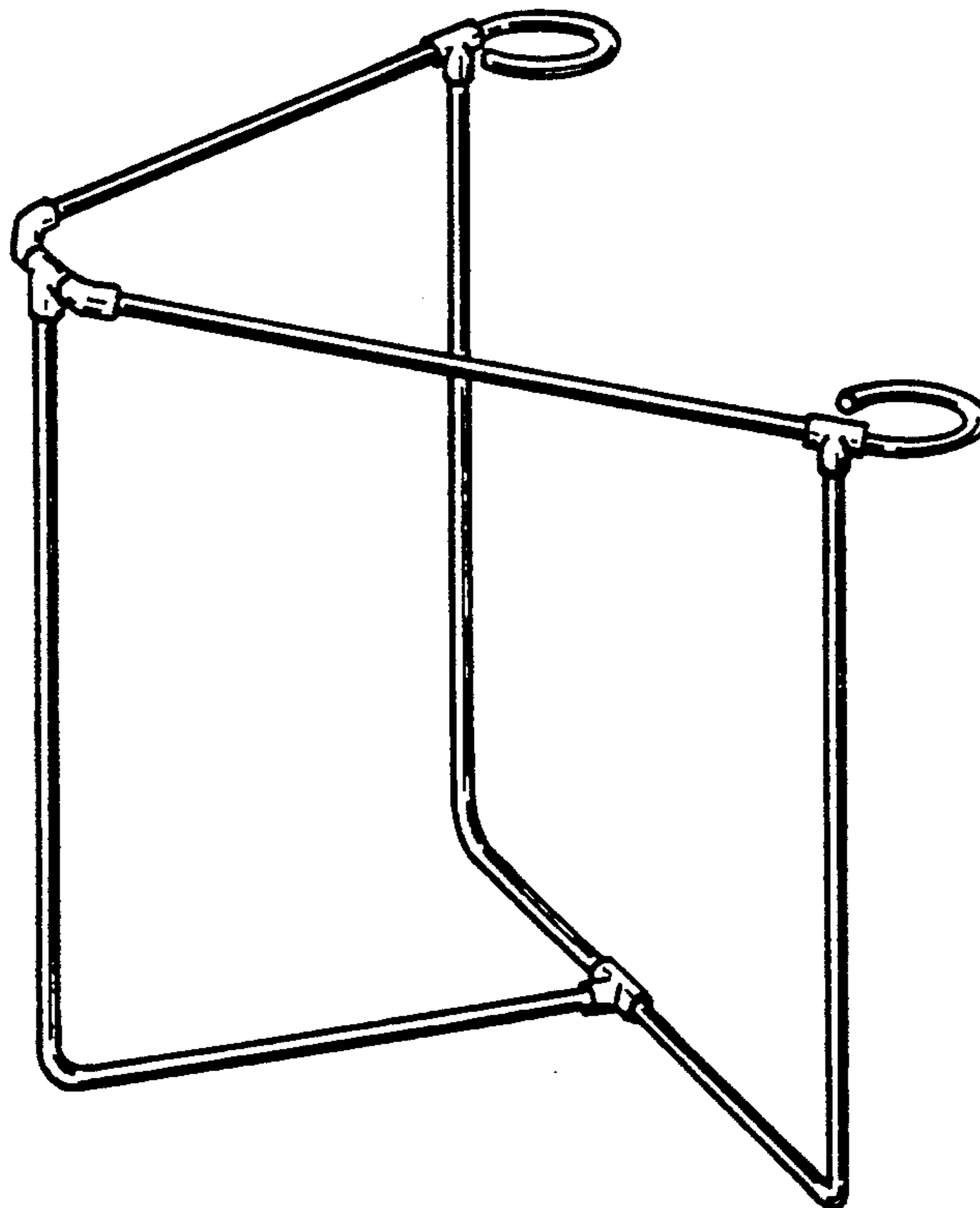
Attorney, Agent, or Firm—Burd, Bartz & Gutenkauf

[57] CLAIM

The ornamental design for a bag holder, as shown and described.

DESCRIPTION

FIG. 1 is a perspective view of the bag holder showing our new design;
 FIG. 2 is a top plan view thereof;
 FIG. 3 is a front elevational view thereof;
 FIG. 4 is a bottom plan view thereof;
 FIG. 5 is a rear elevational view thereof;
 FIG. 6 is a side elevational view thereof, the opposite side being a mirror image thereof;
 FIG. 7 is a perspective view of a first modification of the bag holder showing our new design;
 FIG. 8 is a top plan view thereof, the bottom plan view being a mirror image thereof;
 FIG. 9 is a front elevational view thereof;
 FIG. 10 is a rear elevational view thereof;
 FIG. 11 is a side elevational view thereof, the opposite side being a mirror image thereof;
 FIG. 12 is an enlarged sectional view taken along the line 13—13 of FIG. 11;
 FIG. 14 is a perspective view of a second modification of the bag holder showing our new design;
 FIG. 15 is a top plan view thereof, the bottom plan view being a mirror image thereof;
 FIG. 16 is a front elevational view of FIG. 14;
 FIG. 17 is a rear elevational view of FIG. 14;
 FIG. 18 is a side elevational view of the left side of FIG. 14; and,
 FIG. 19 is a right side elevational view of FIG. 14.



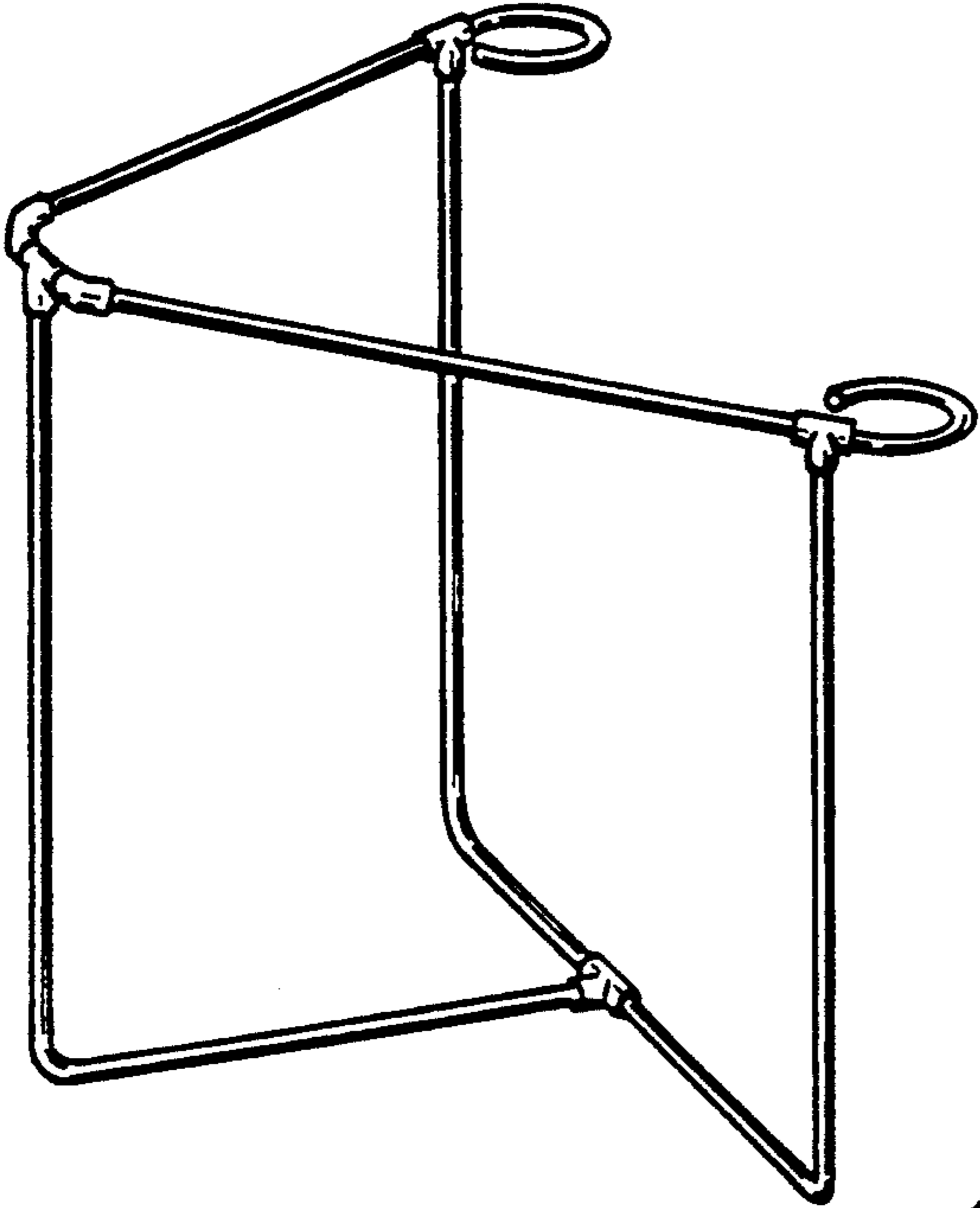


FIG. 1

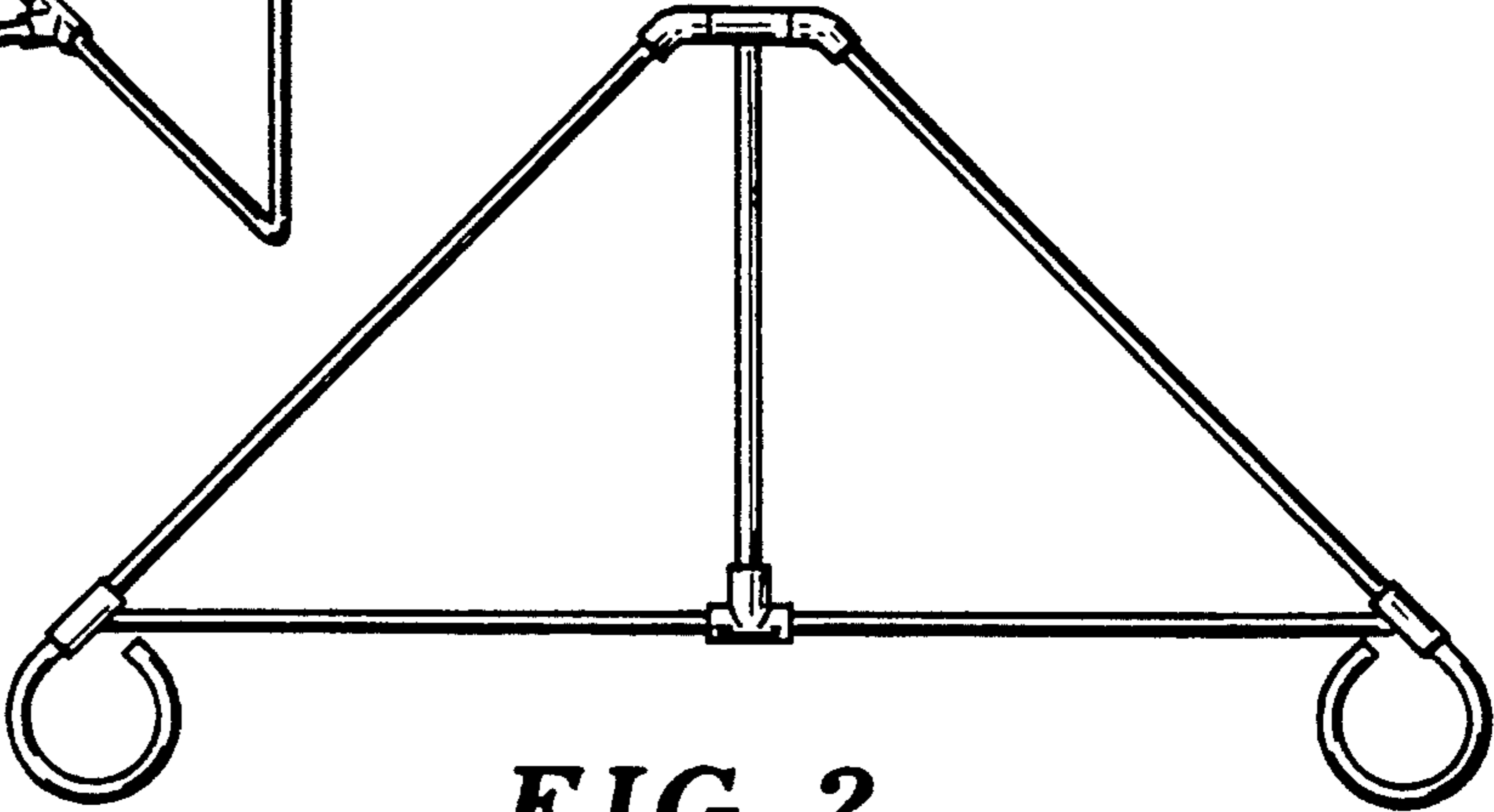


FIG. 2

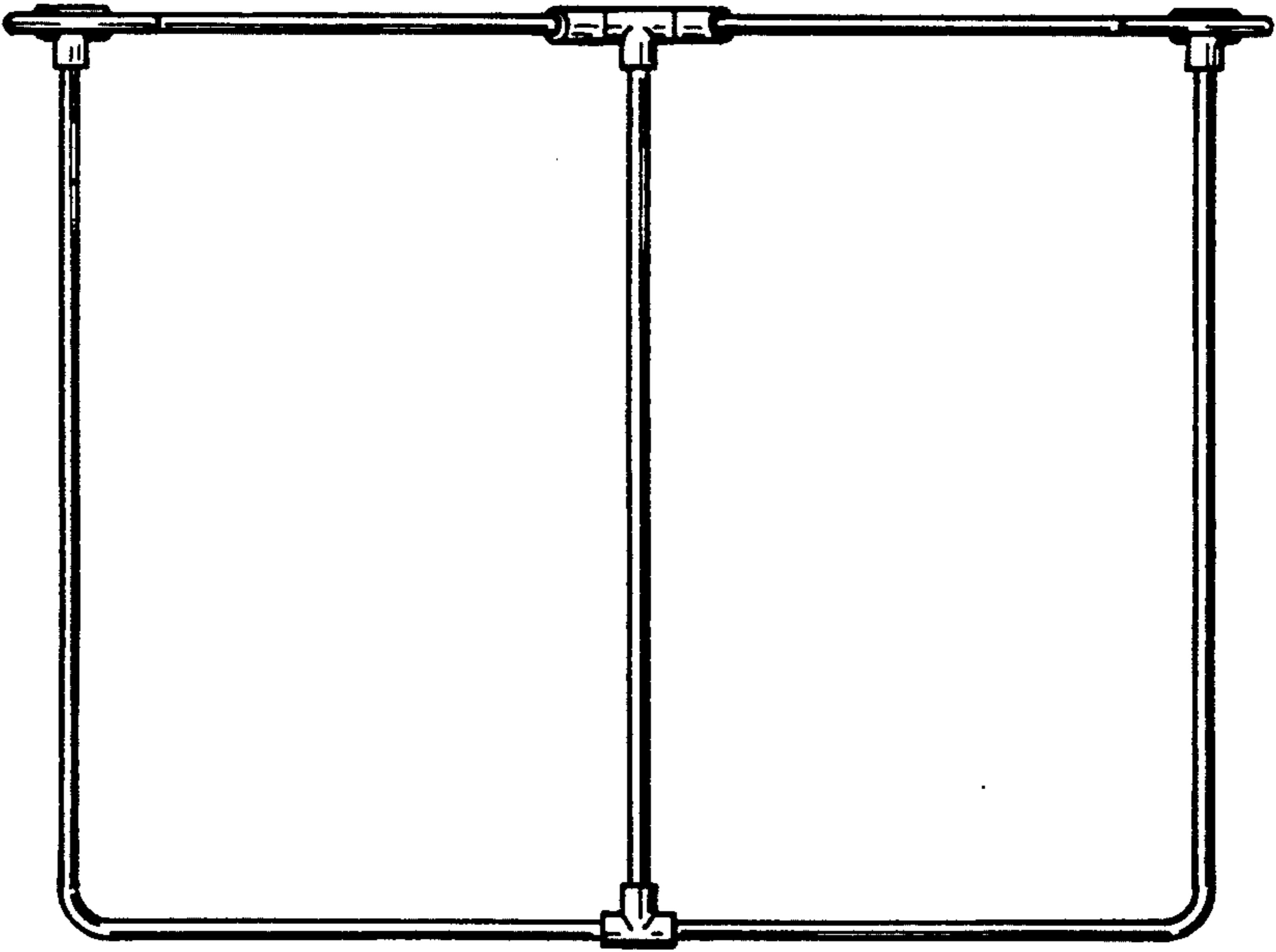


FIG. 3

FIG. 4

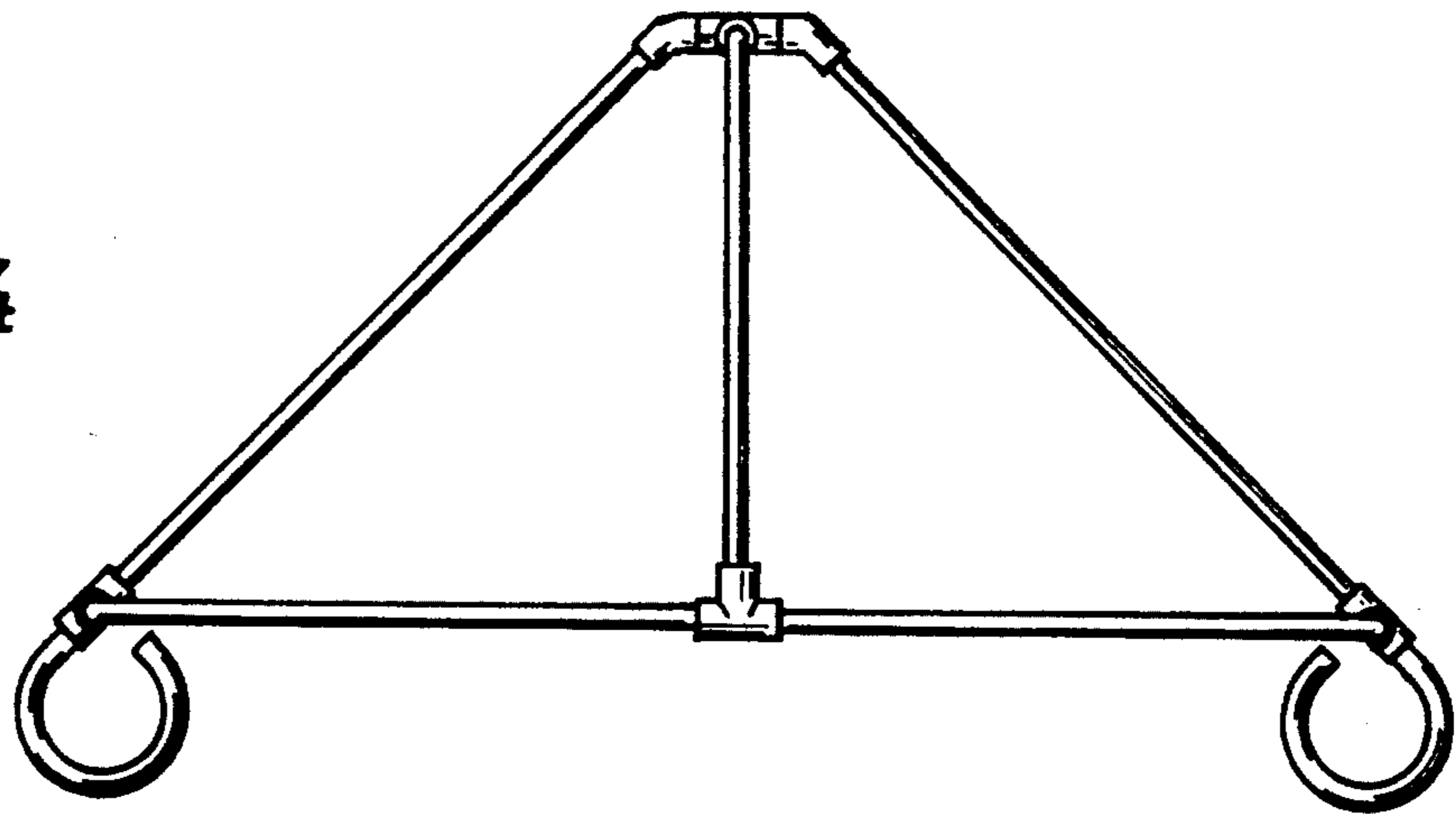


FIG. 5

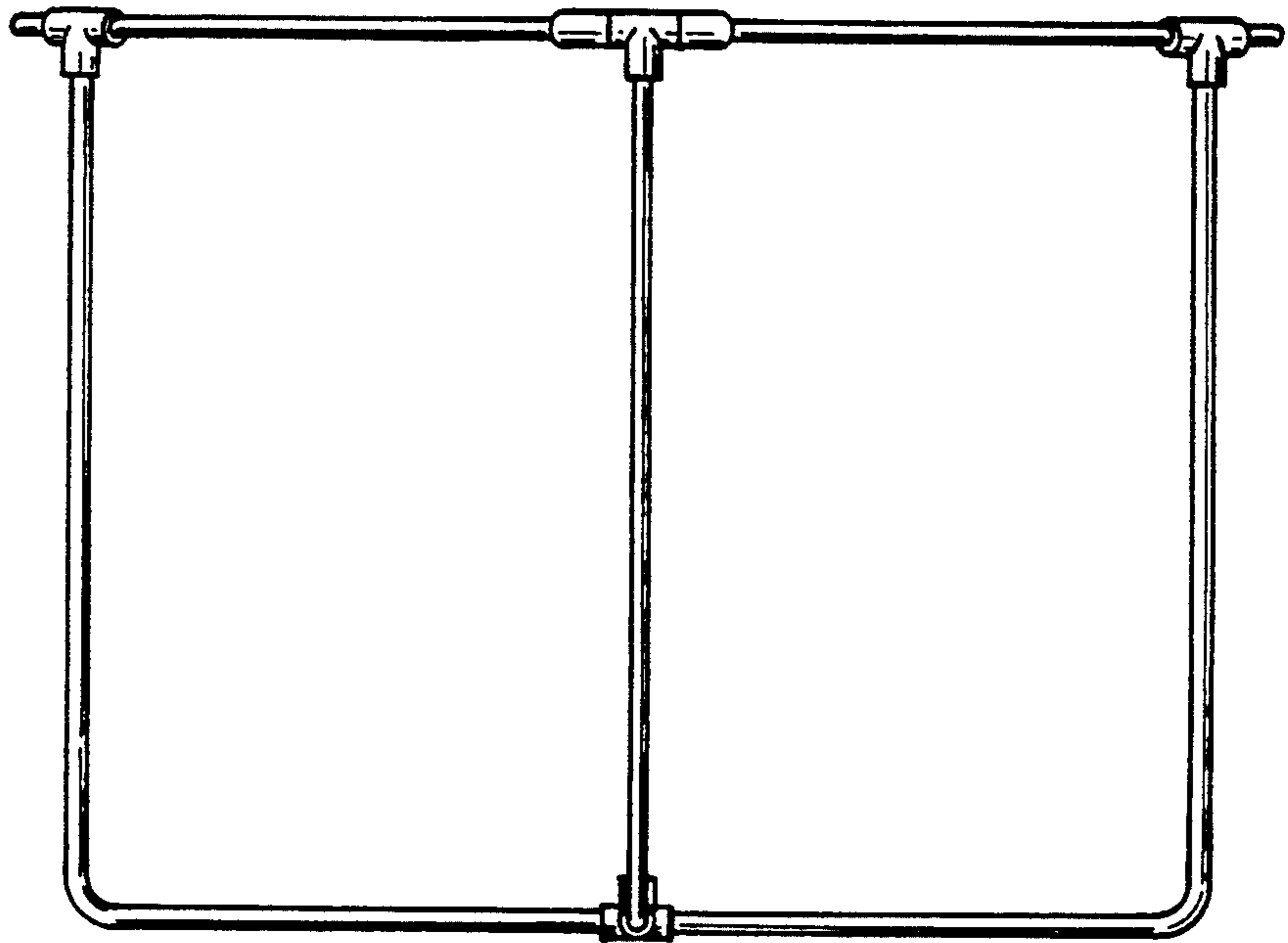
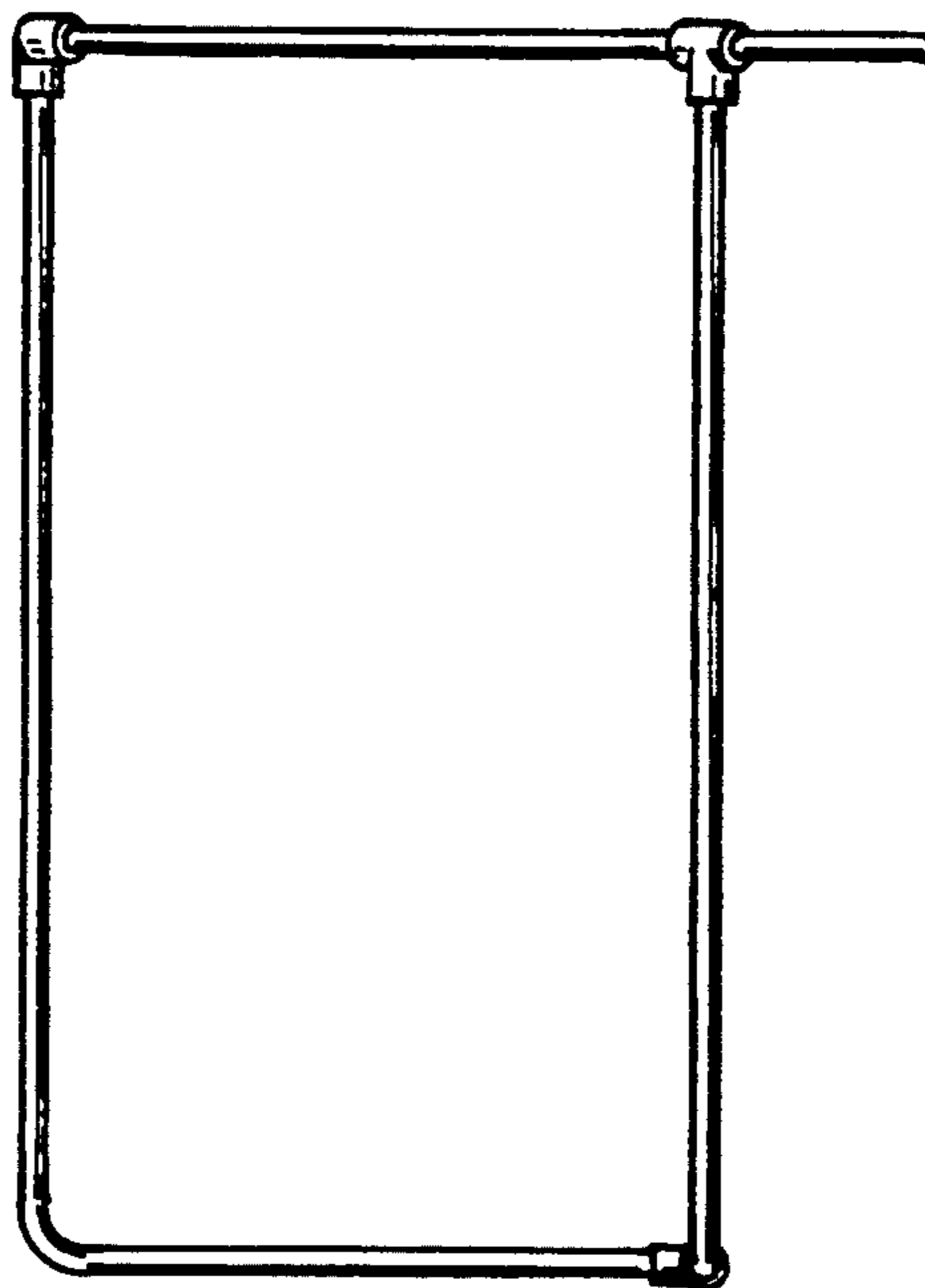


FIG. 6



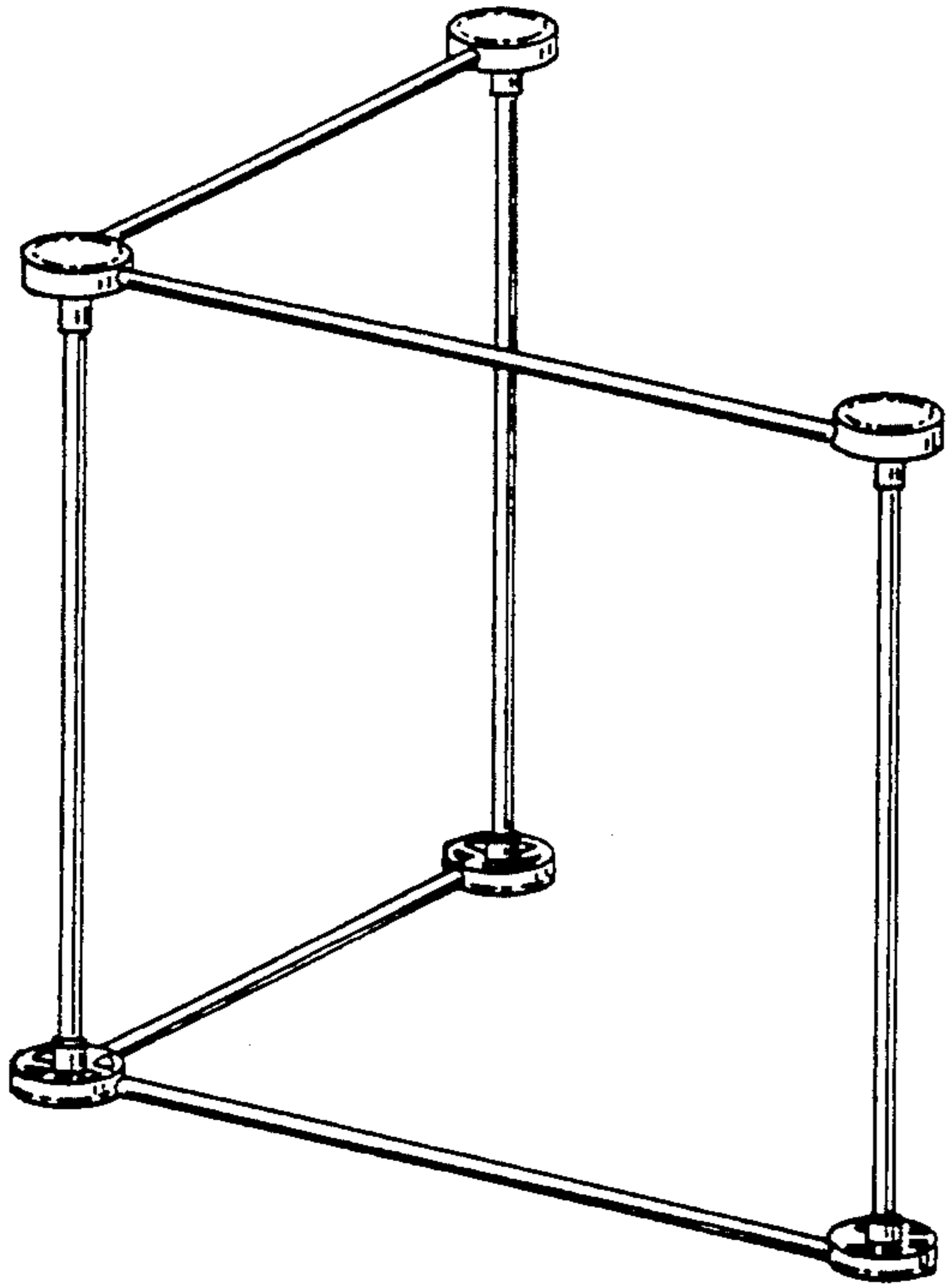


FIG. 7

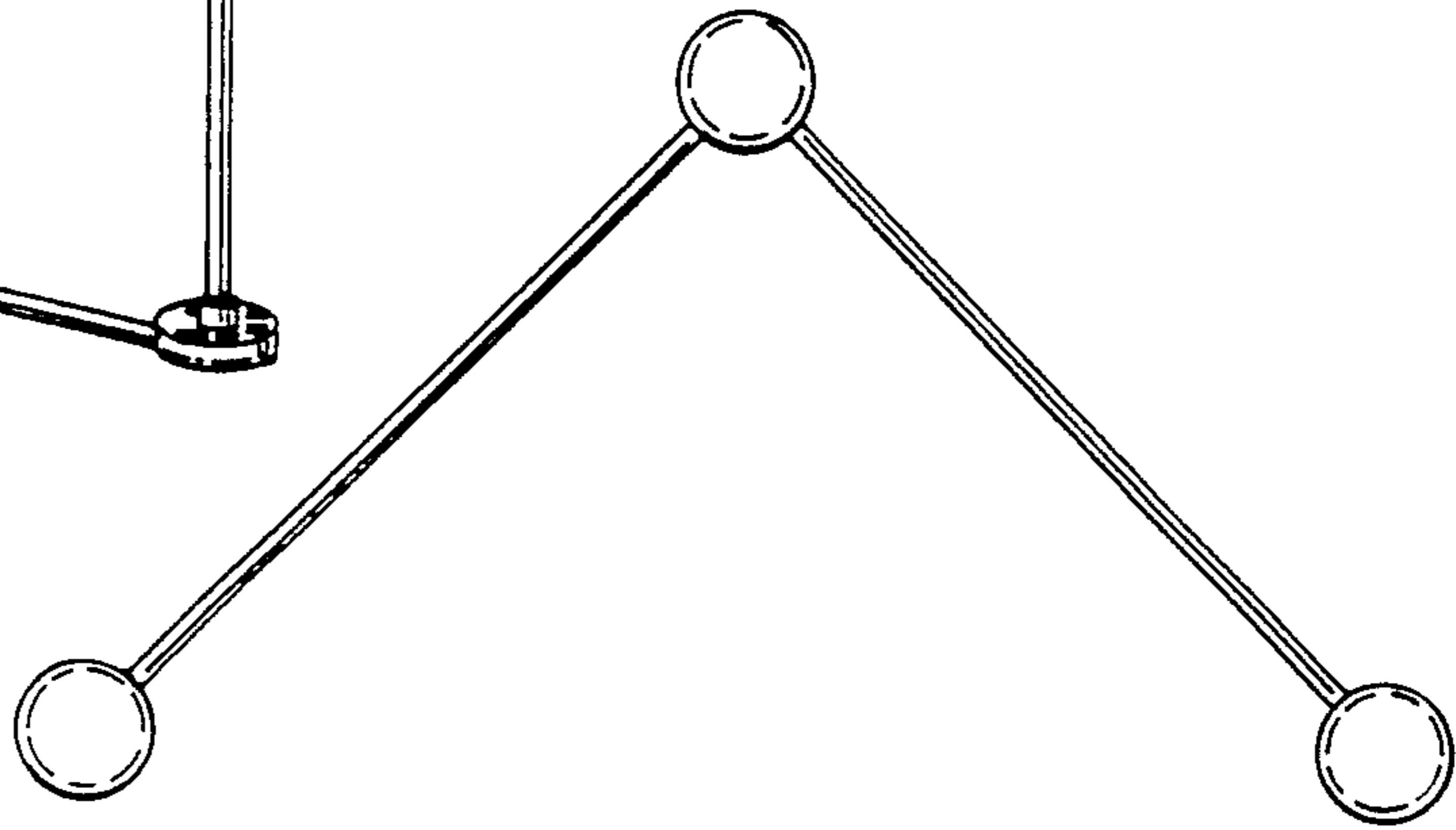


FIG. 8

FIG. 9

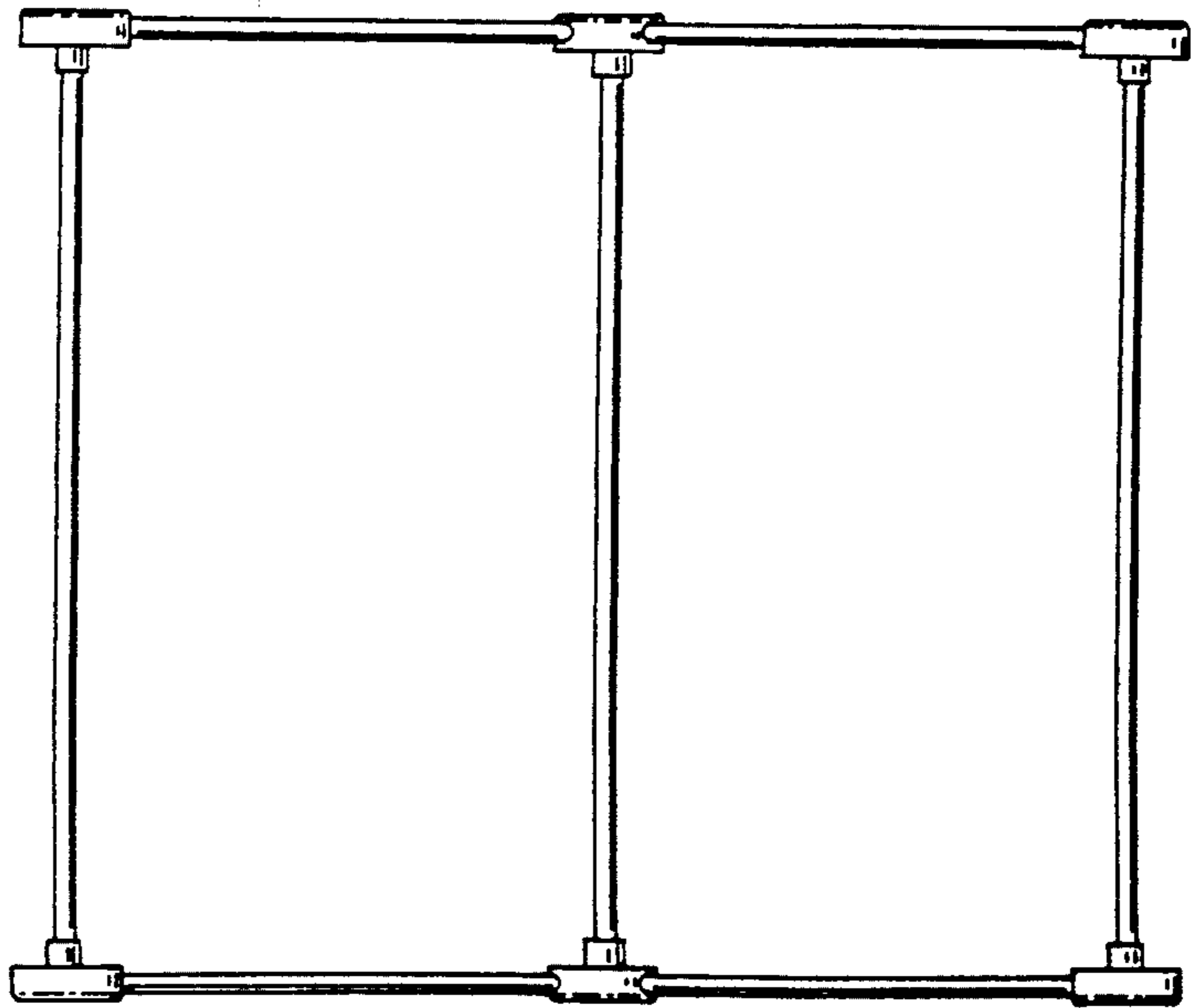


FIG. 10

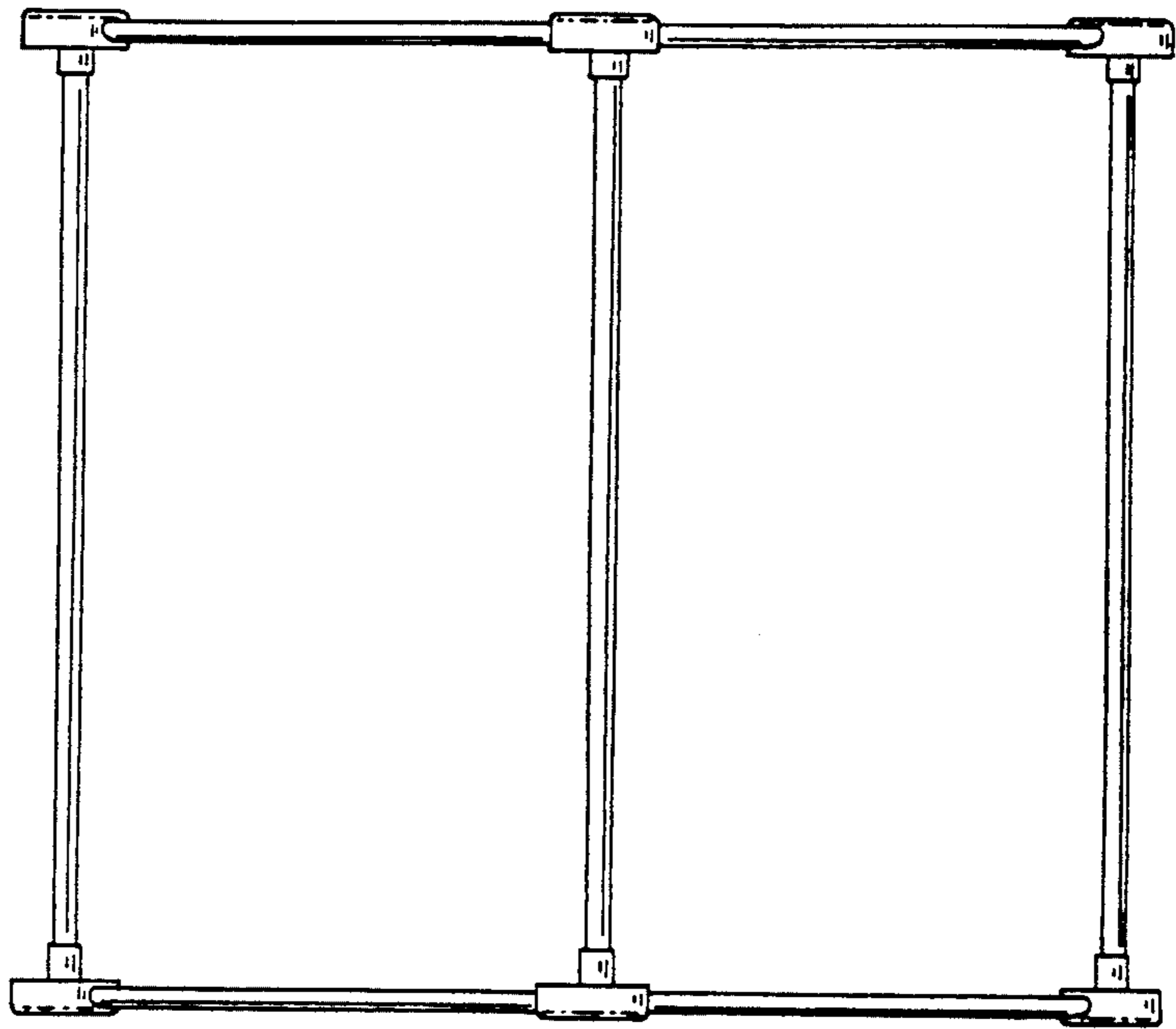


FIG. 11

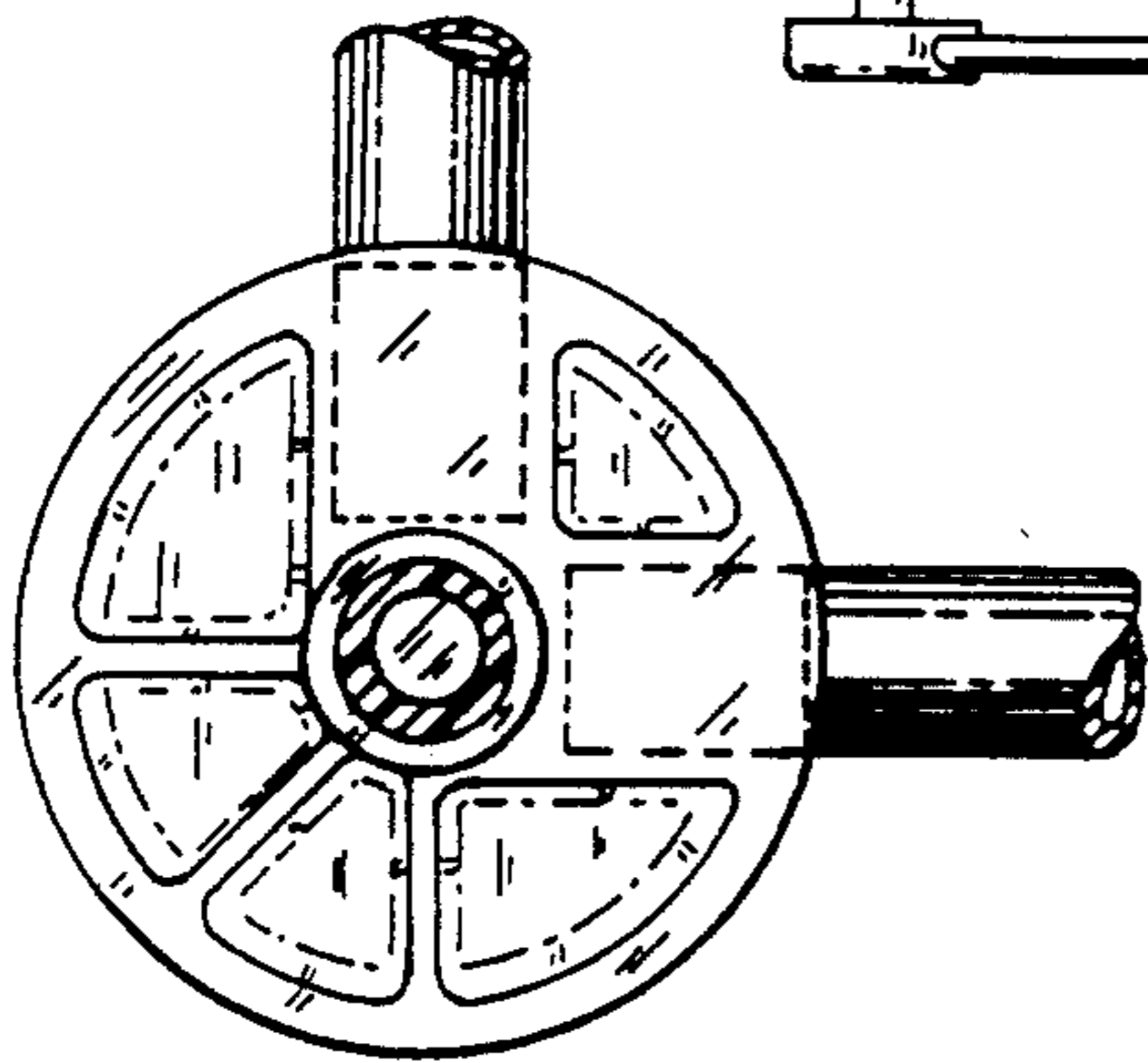
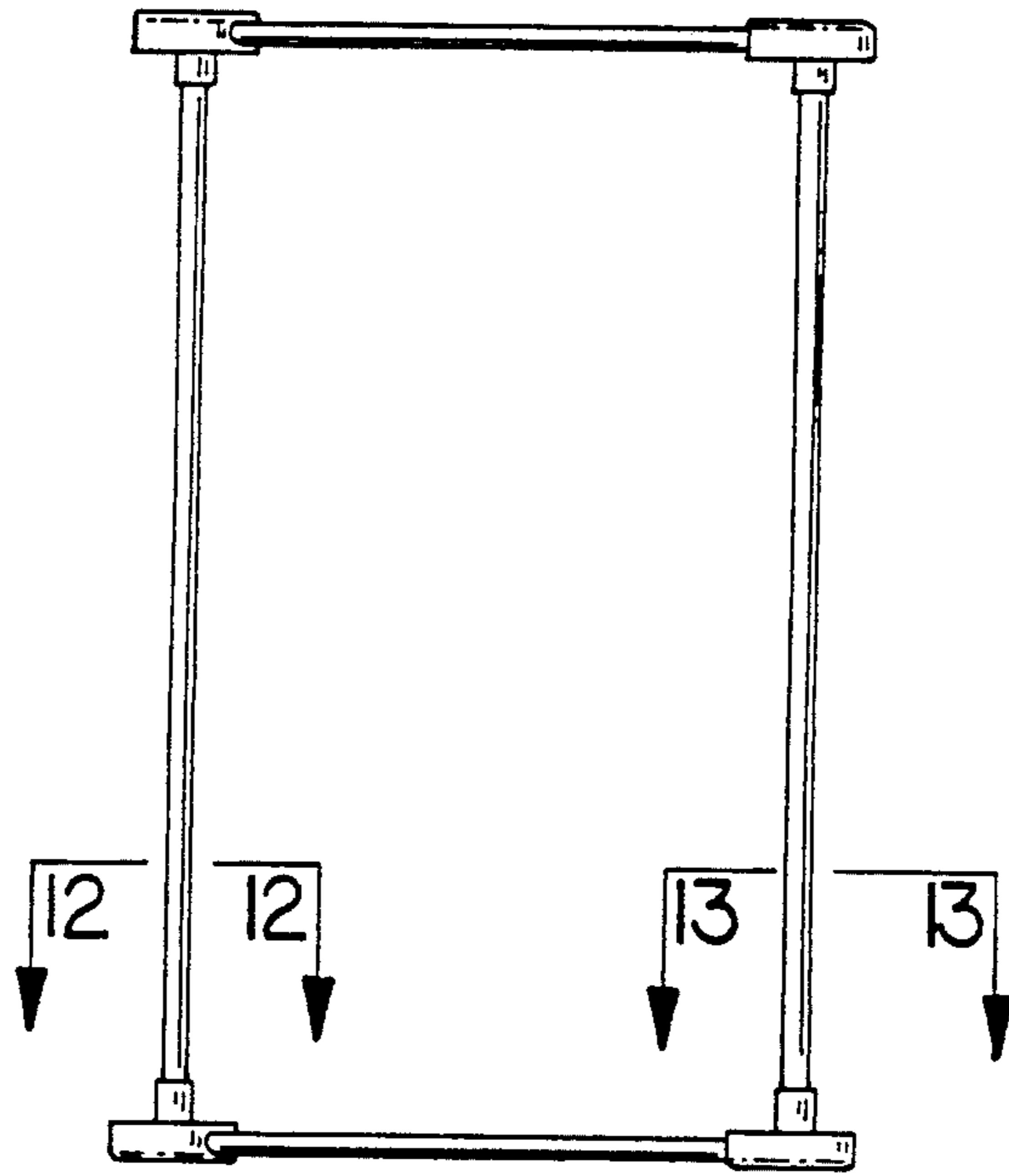


FIG. 12

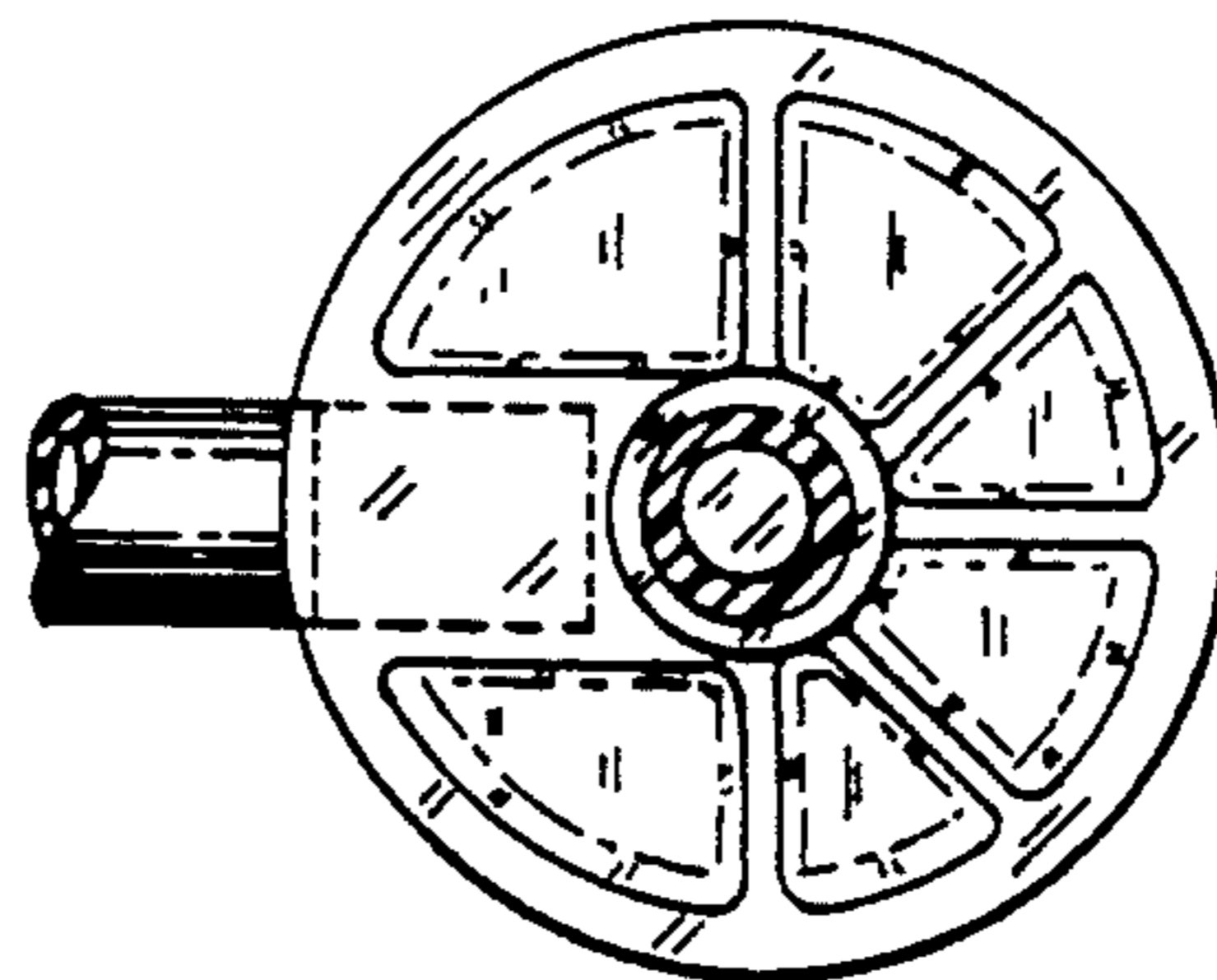


FIG. 13

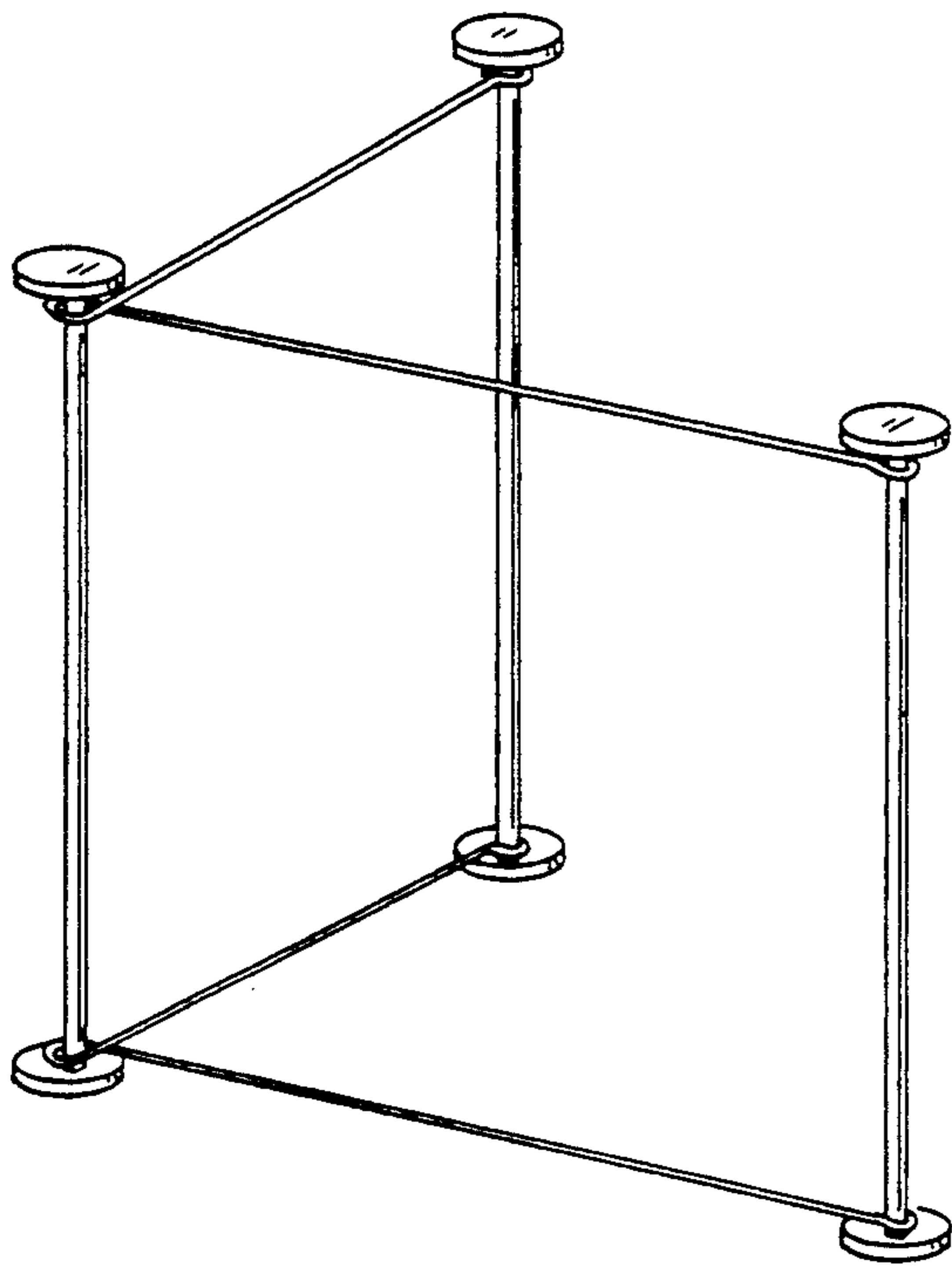


FIG. 14

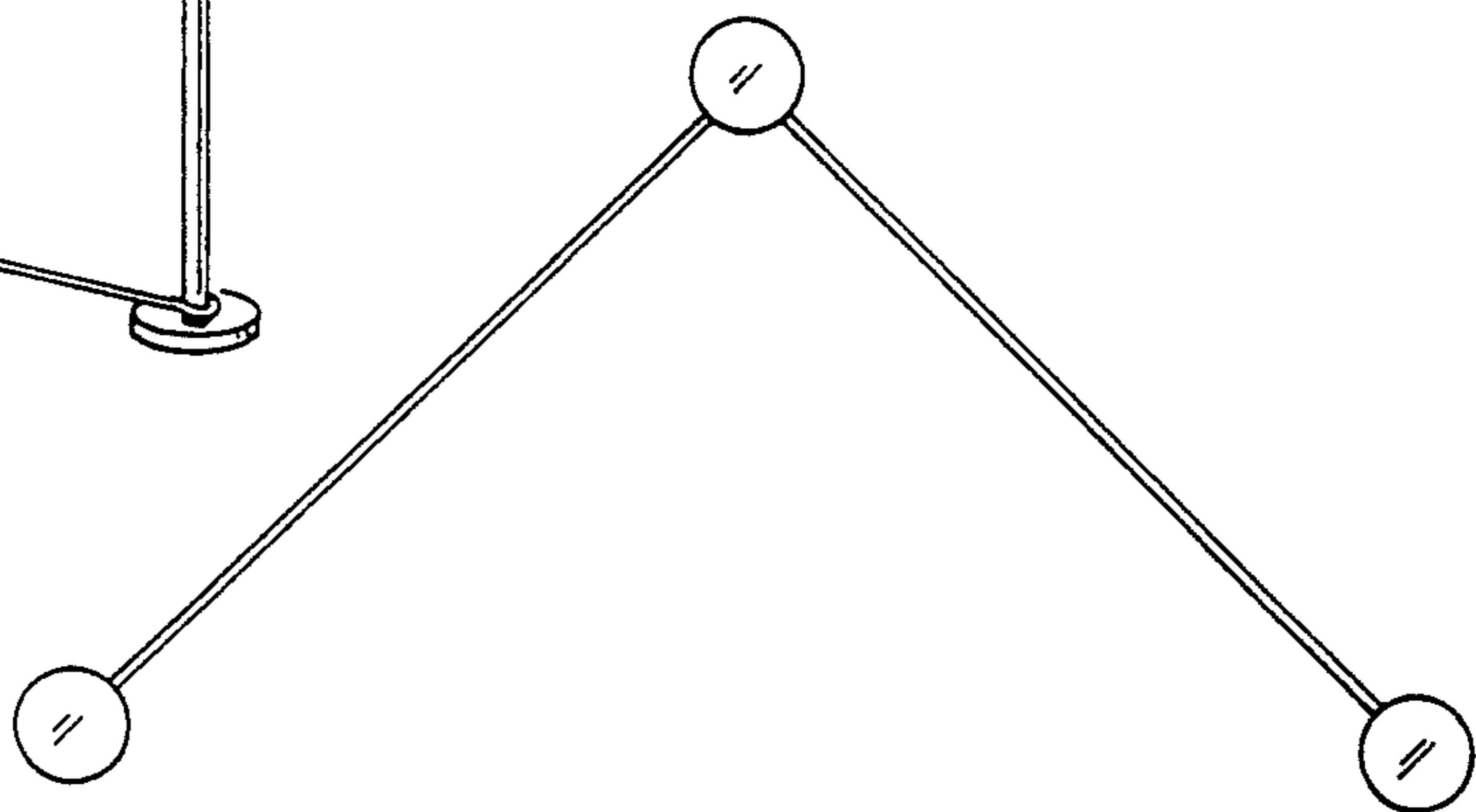


FIG. 15

FIG. 16

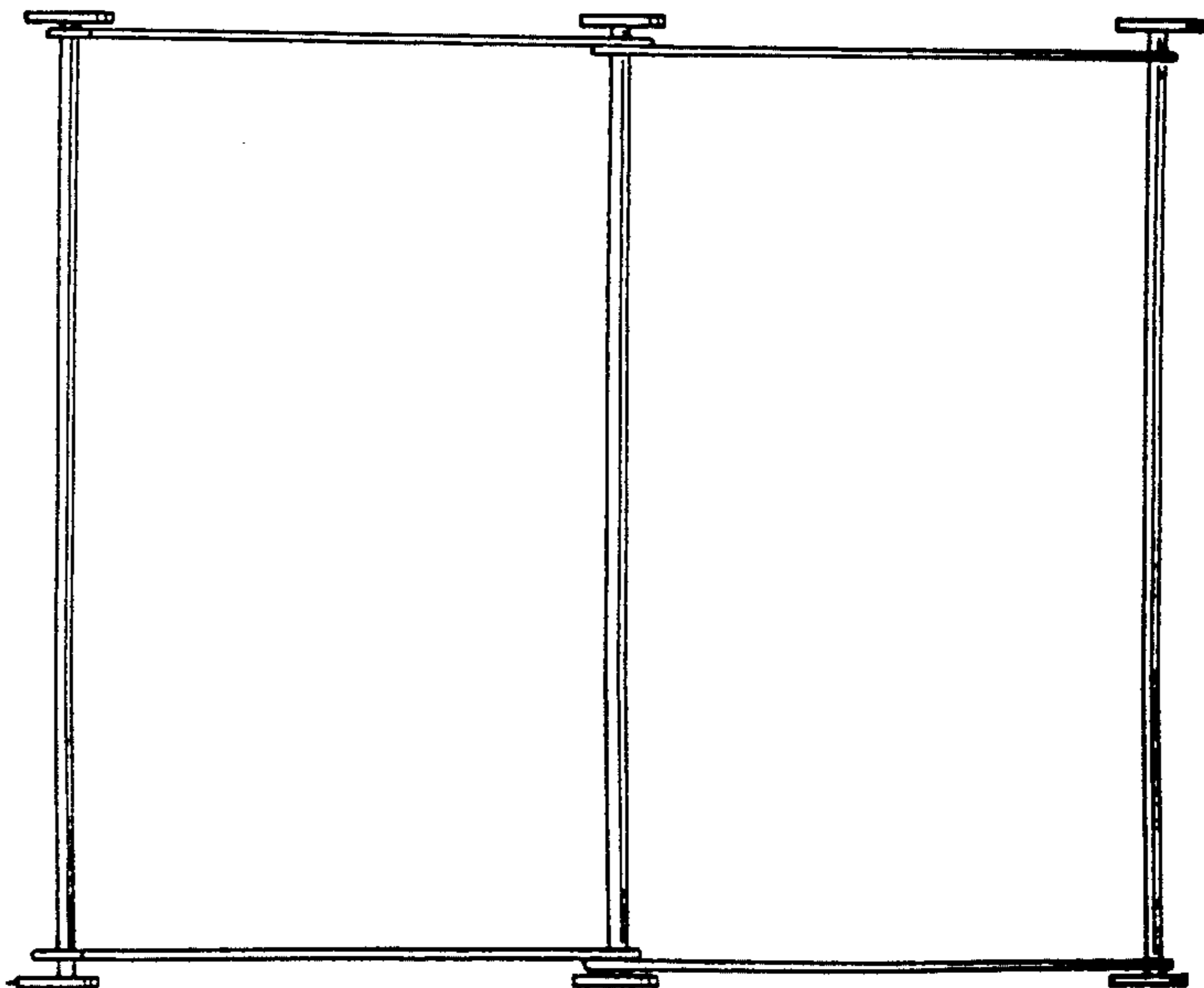


FIG. 17

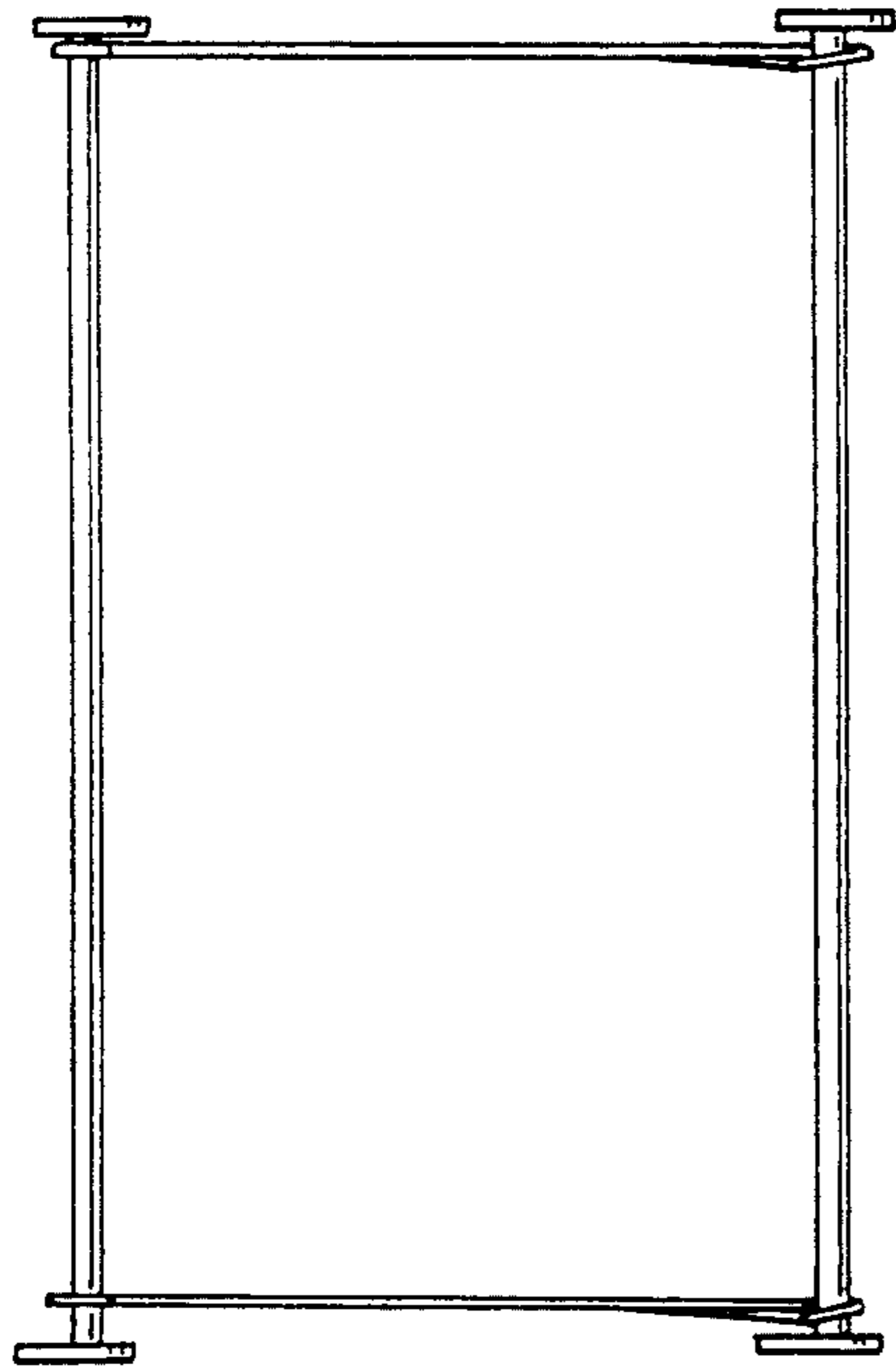
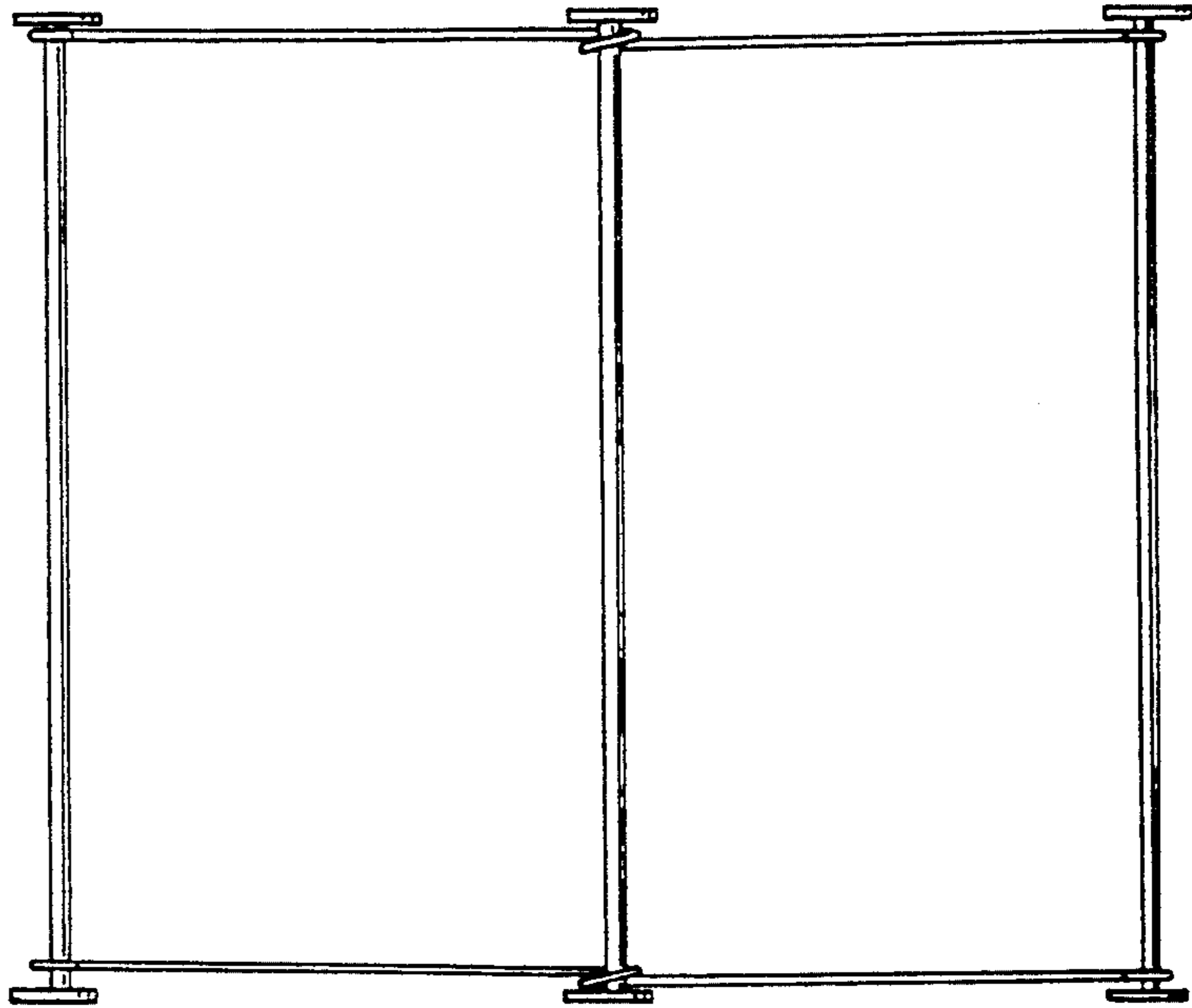


FIG. 18

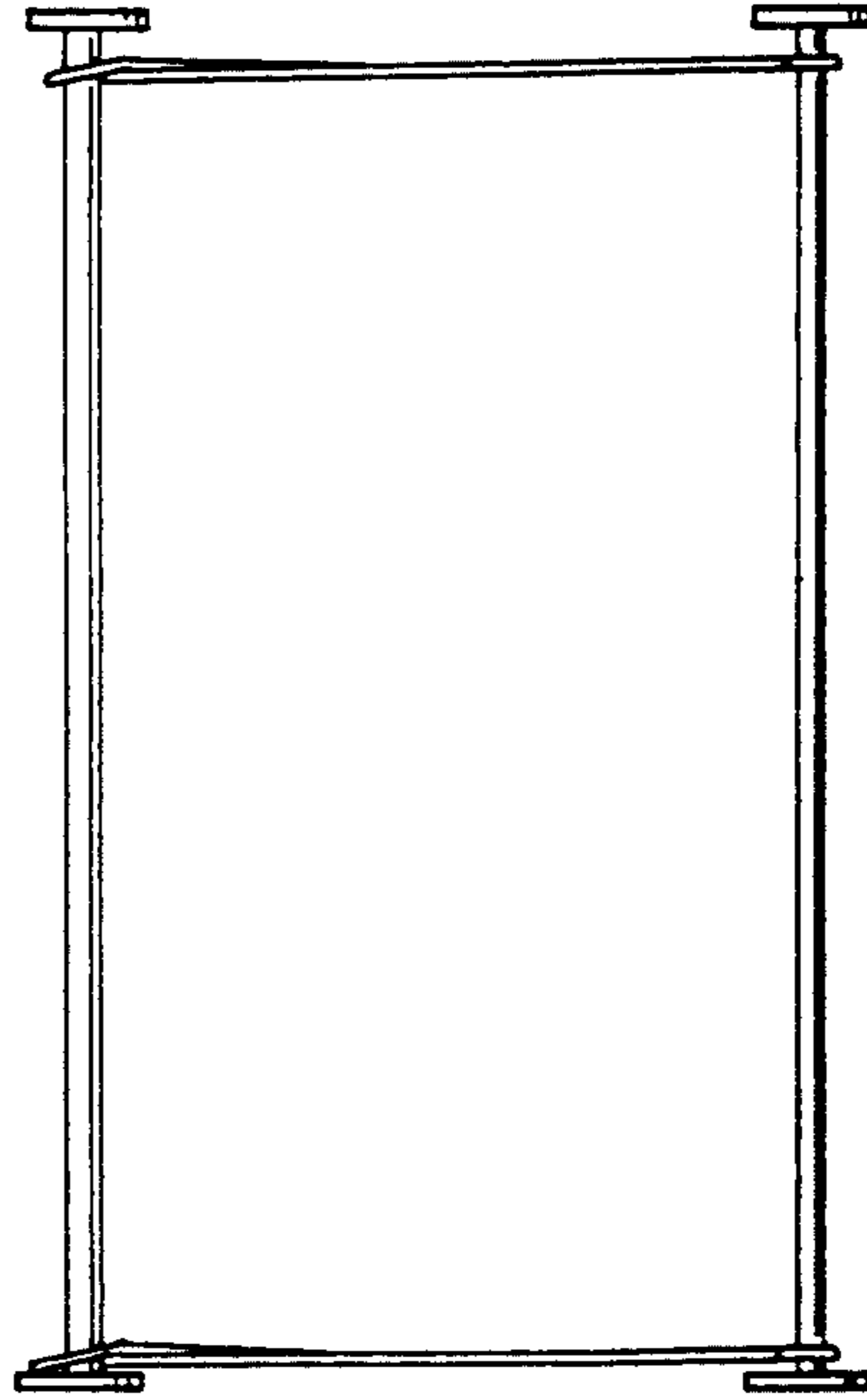


FIG. 19