



US00D341687S

United States Patent [19] Park

[11] Patent Number: **Des. 341,687**

[45] Date of Patent: **** Nov. 23, 1993**

[54] **RECYCLING BIN UTILIZING PLASTIC BAGS**

[75] Inventor: **Kelly R. Park, Salt Lake City, Utah**

[73] Assignee: **Megatrends Marketing, Inc., Salt Lake City, Utah**

[**] Term: **14 Years**

[21] Appl. No.: **835,681**

[22] Filed: **Feb. 14, 1992**

[52] U.S. Cl. **D34/5; D34/6**

[58] Field of Search **D34/1, 5, 6; 248/95, 248/97, 98, 99, 100, 101**

[56] **References Cited**

U.S. PATENT DOCUMENTS

D. 279,038 5/1985 Thompson, Jr. D34/6

D. 286,099 10/1986 Risch D34/6
4,723,741 2/1988 Doering 248/97
5,101,984 4/1992 Shaw 248/99

Primary Examiner—Kay H. Chin
Attorney, Agent, or Firm—K. S. Cornaby

[57] **CLAIM**

The ornamental design for a recycling bin utilizing plastic bags, as shown and described.

DESCRIPTION

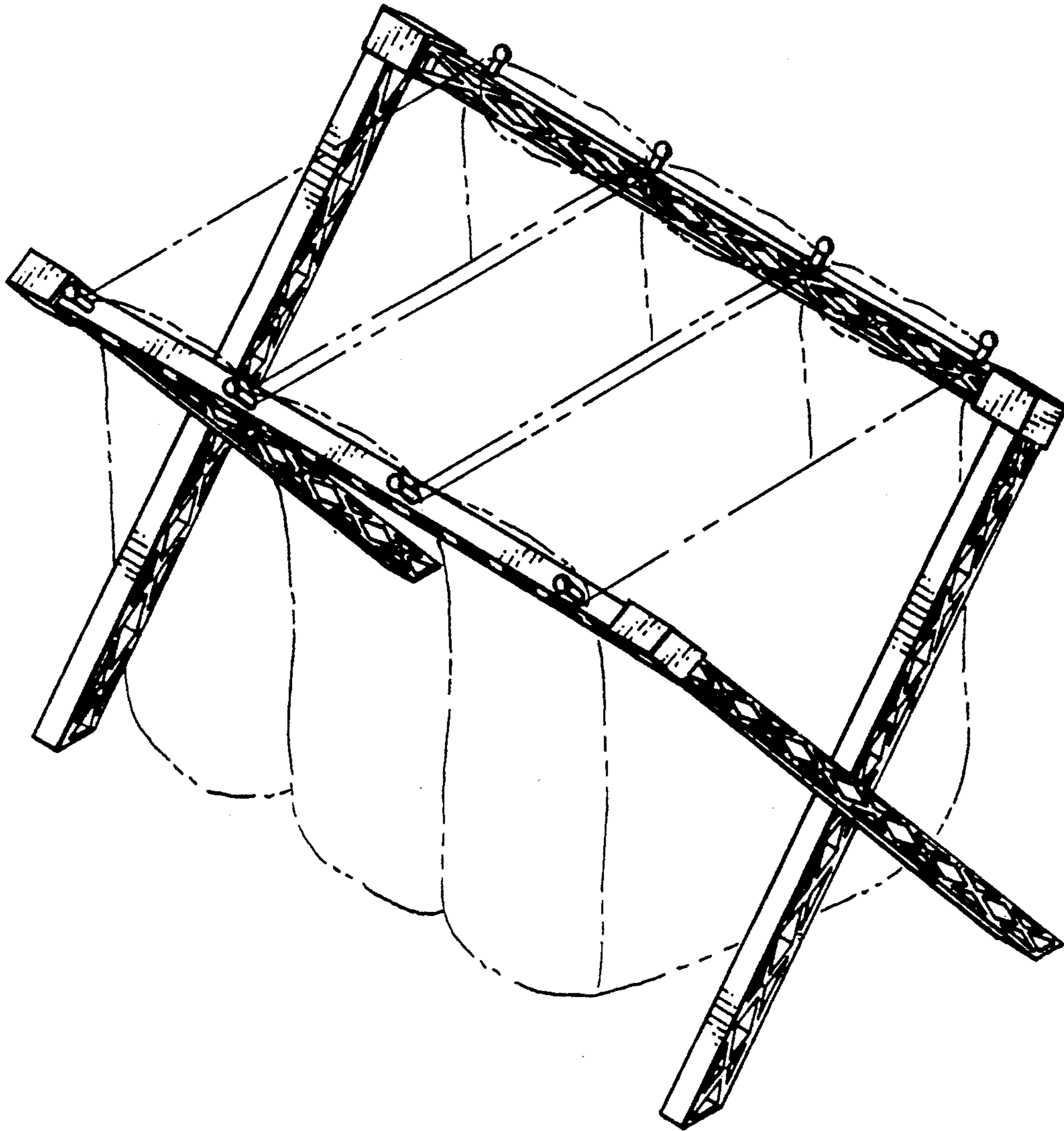
FIG. 1 is a perspective view taken from the top of a recycling bin utilizing plastic bags showing my new design, the broken lines are for illustrative purposes only;

FIG. 2 is a side elevational view thereof;

FIG. 3 is an end elevational view thereof;

FIG. 4 is a top plan view thereof; and,

FIG. 5 is a bottom plan view thereof.



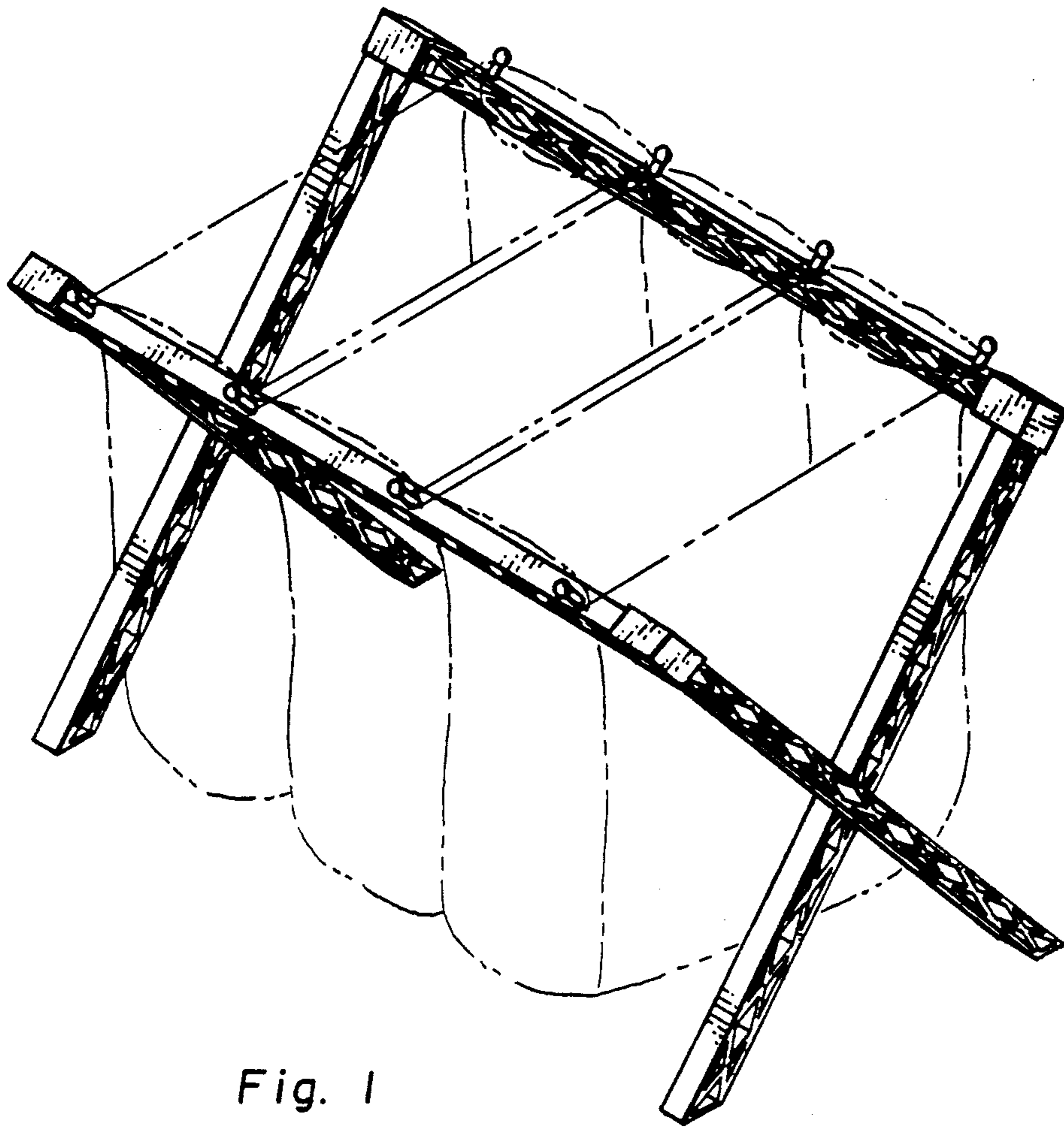


Fig. 1

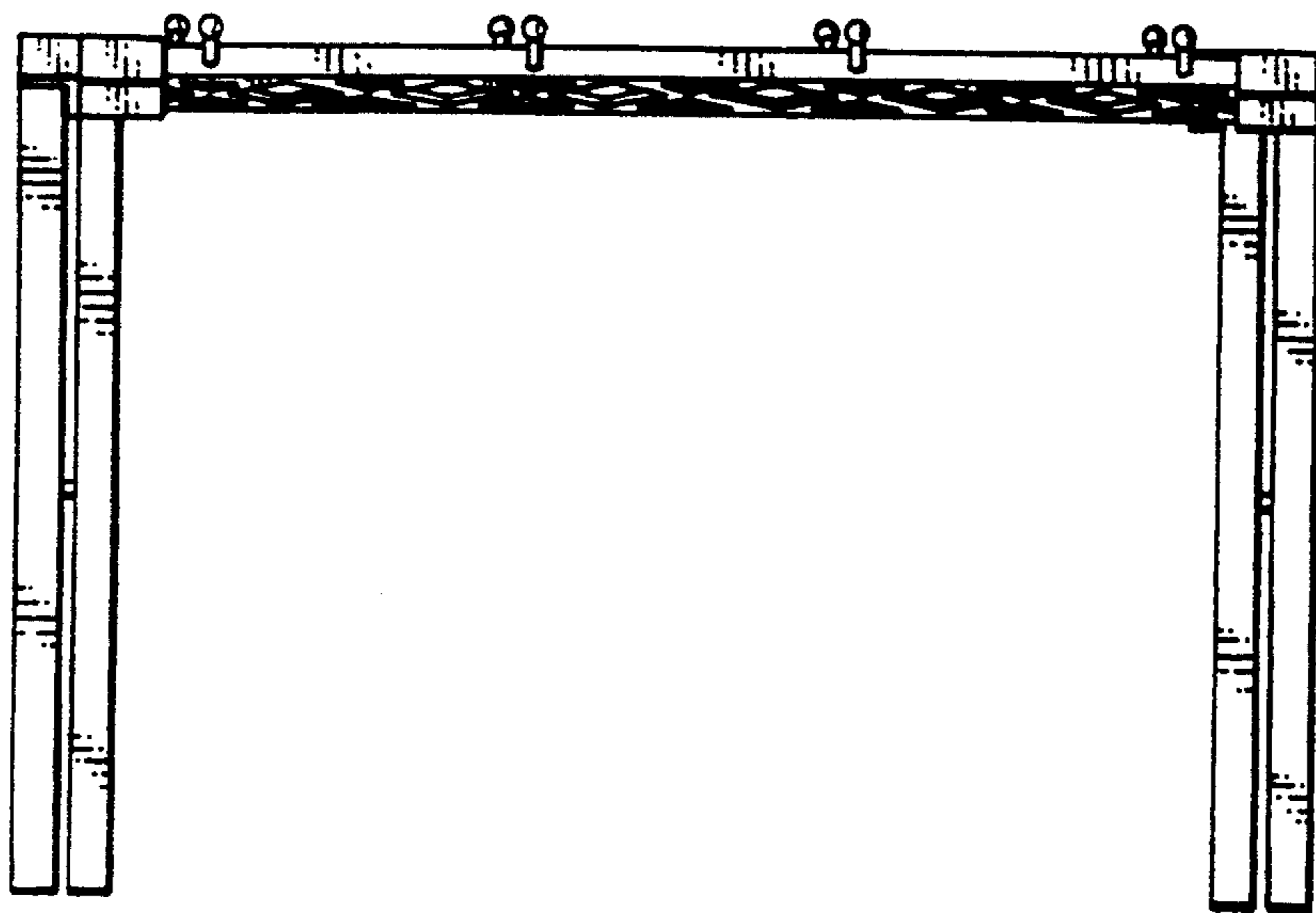


Fig. 2

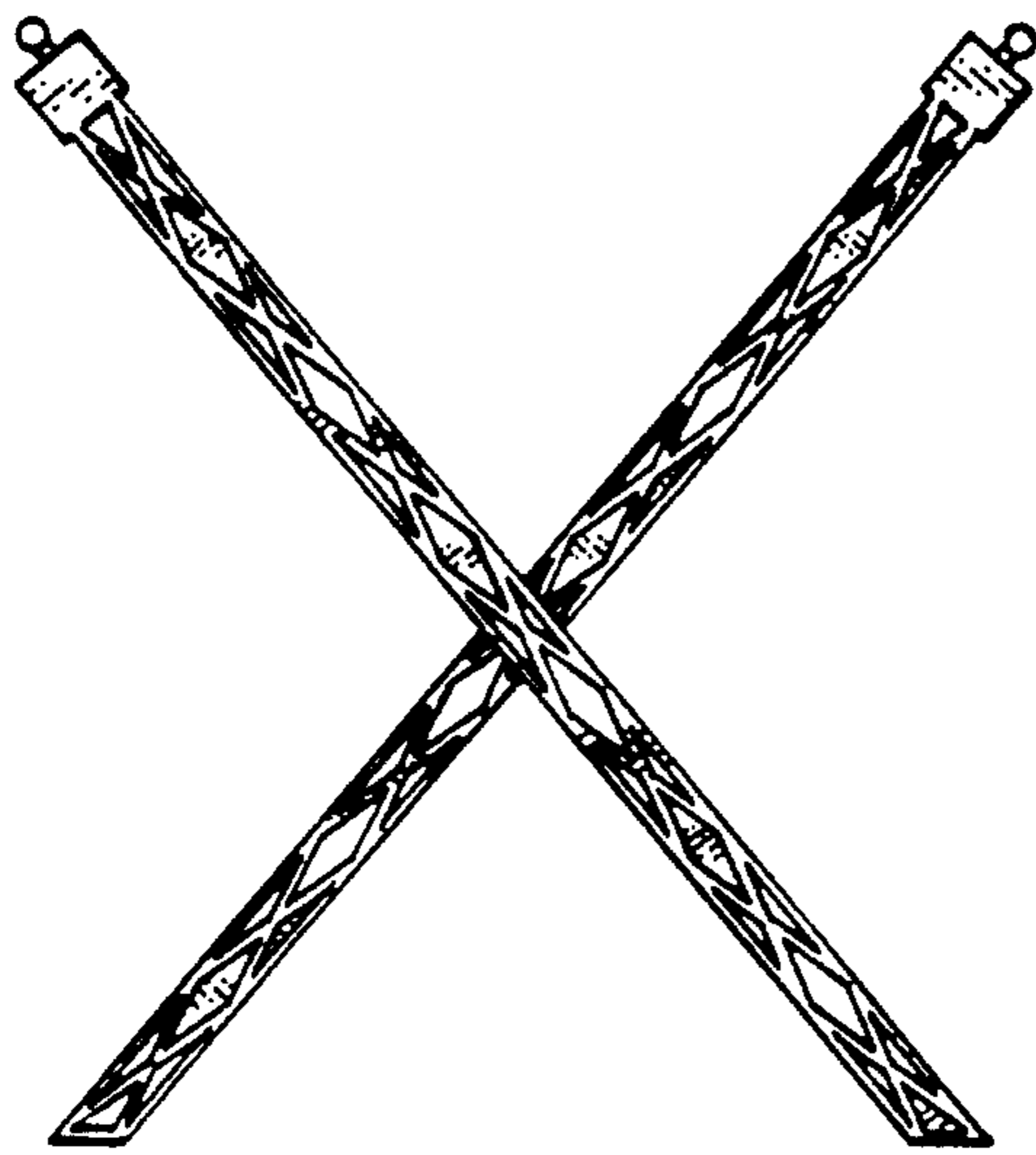


Fig. 3

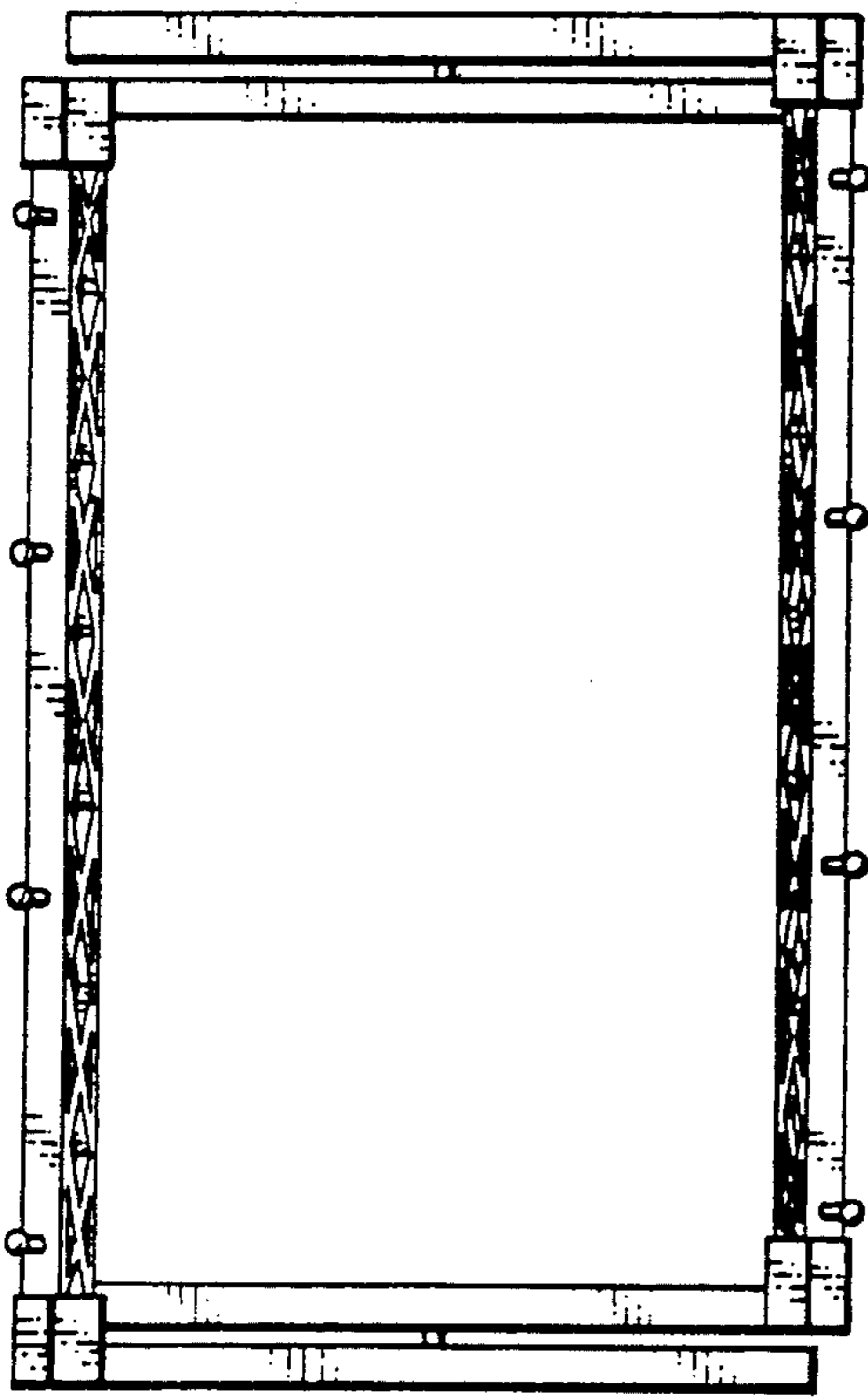


Fig. 4

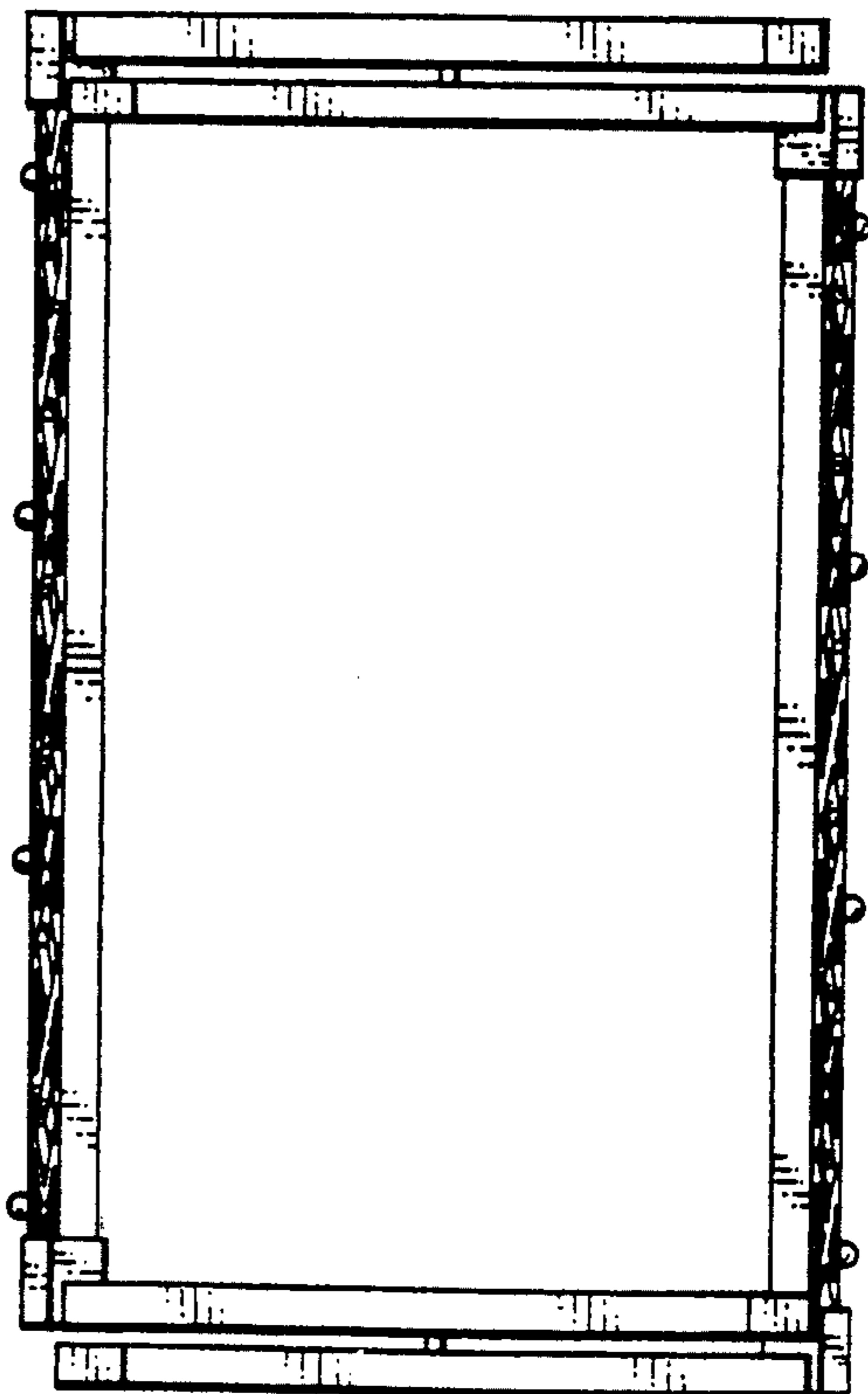


Fig. 5