



US00D341686S

United States Patent [19]
Panovic

[11] **Patent Number: Des. 341,686**

[45] **Date of Patent: ** Nov. 23, 1993**

[54] **PAINT BRUSH HOLDER**

3,407,429 10/1968 Di Nardo 15/257.01

[76] **Inventor: Goran Panovic, 14070 - 57A Avenue,
Surrey, B.C., Canada, V3X 2W3**

Primary Examiner—Wallace R. Burke
Assistant Examiner—Lavone D. Tabor

[**] **Term: 14 Years**

[57] **CLAIM**

[21] **Appl. No.: 659,120**

The ornamental design for a paint brush holder, as shown and described.

[22] **Filed: Feb. 22, 1991**

[52] **U.S. Cl. D32/54**

[58] **Field of Search D4/199; D7/400, 691;
D32/53, 54; 15/257.01; 206/361, 362.3, 362.4;
220/694-697, 736; 248/110**

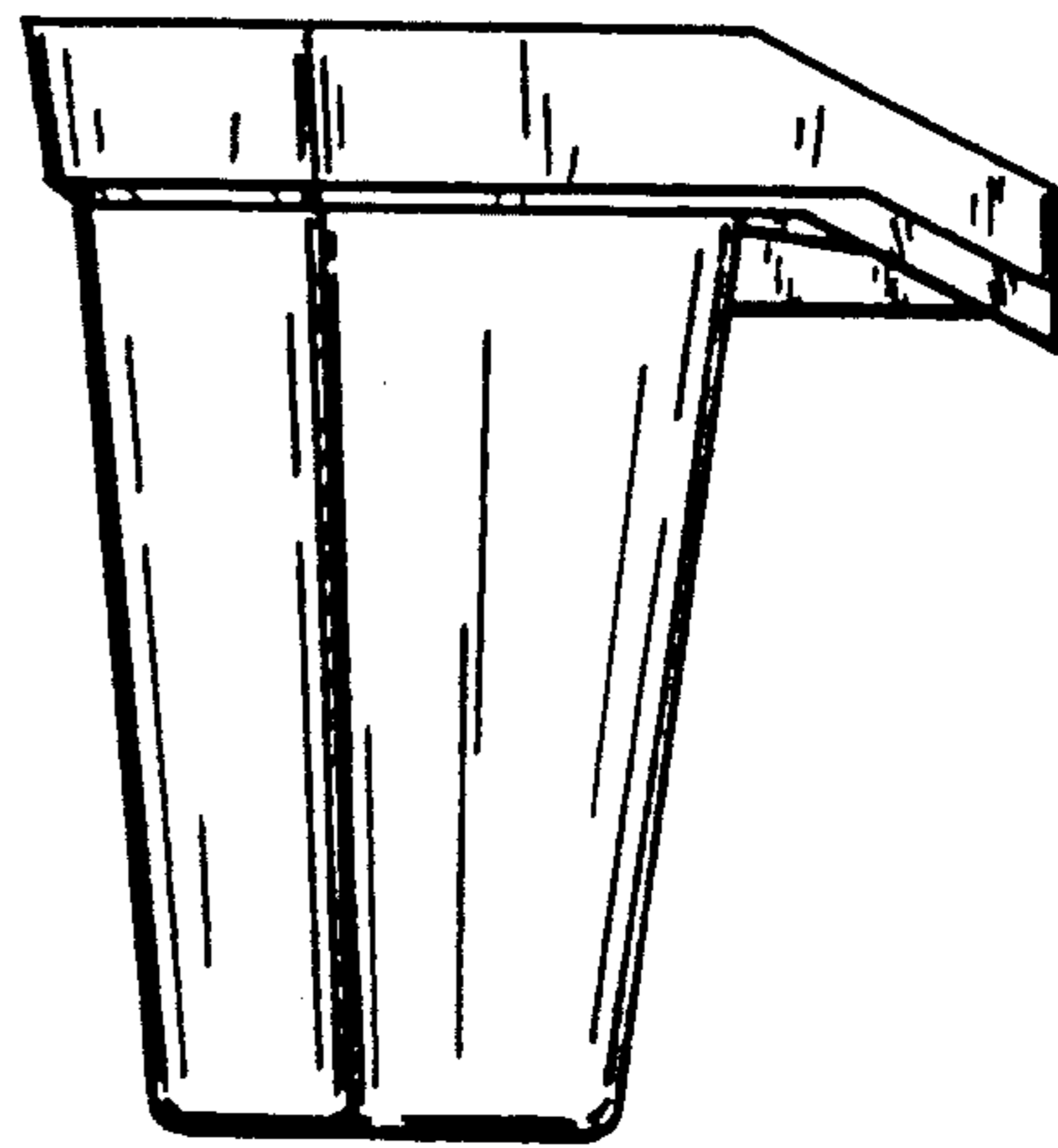
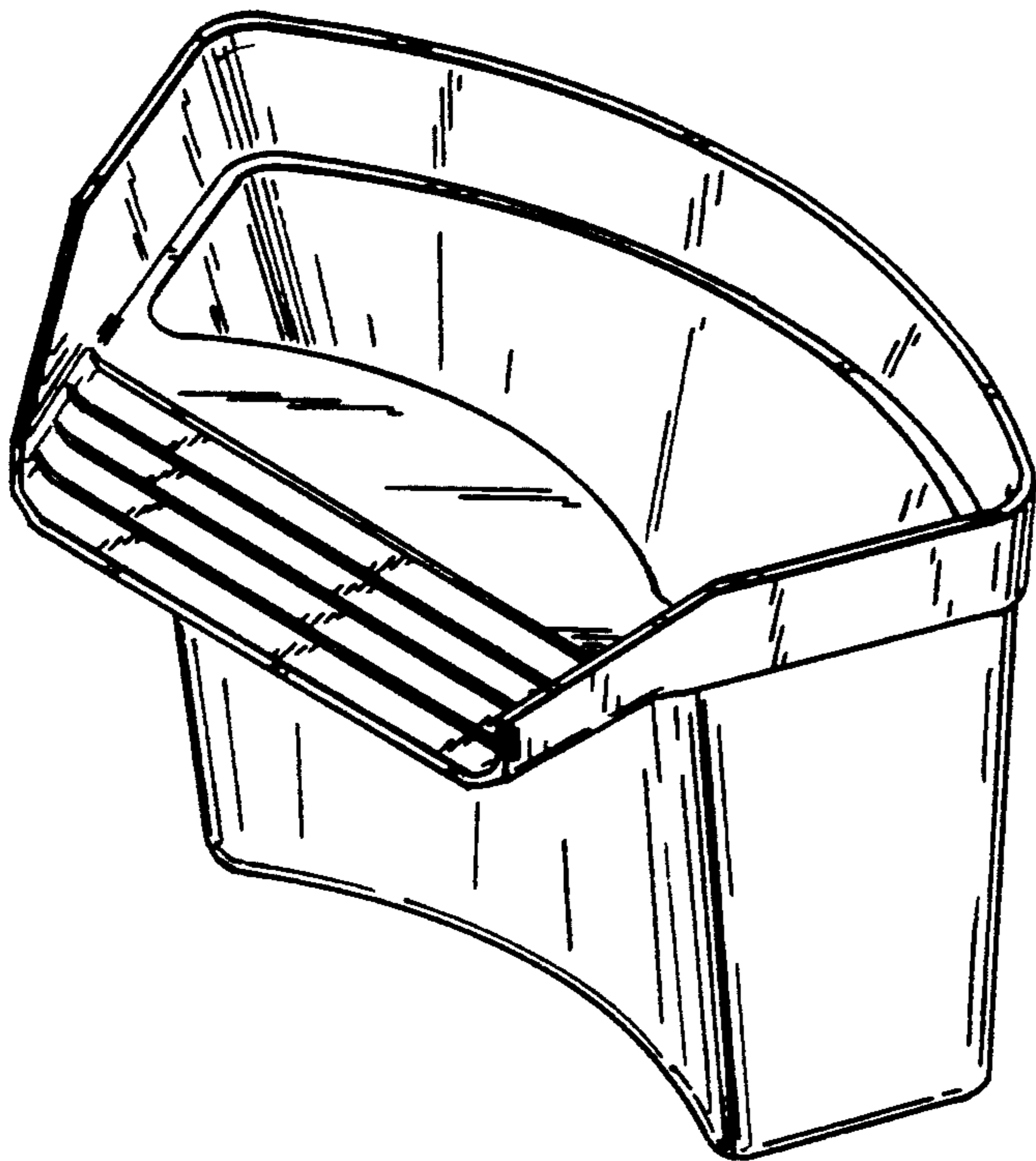
DESCRIPTION

[56] **References Cited**

U.S. PATENT DOCUMENTS

D. 300,970 5/1989 Walker D32/53
2,748,977 6/1956 Sarchet 248/110 X

FIG. 1 is a perspective view of a paint brush holder showing my new design;
FIG. 2 is a top view thereof;
FIG. 3 is a front elevational view thereof;
FIG. 4 is a right hand side elevational view thereof;
FIG. 5 is a left hand side elevational view thereof;
FIG. 6 is a bottom view thereof; and,
FIG. 7 is a rear elevational view thereof.



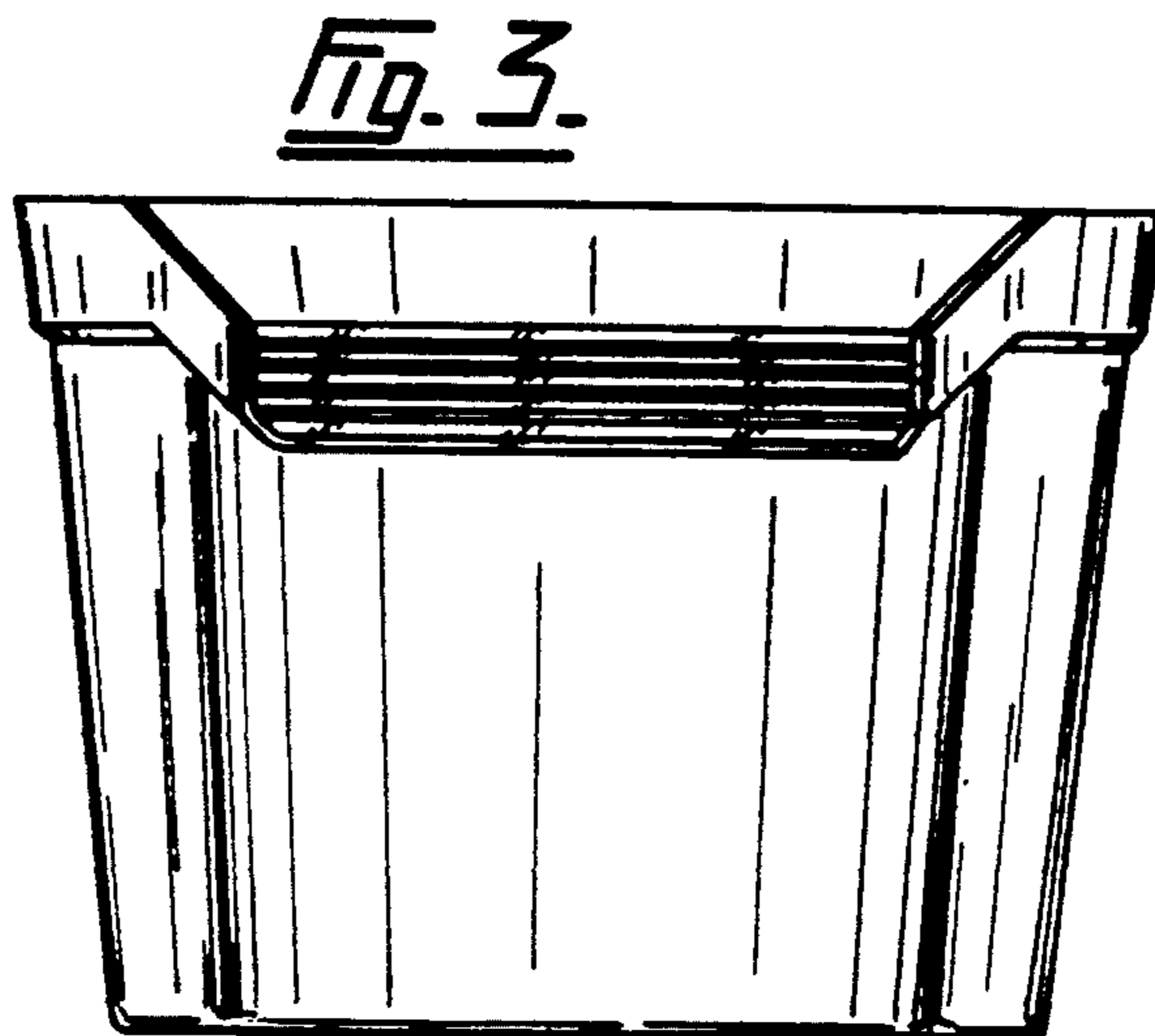
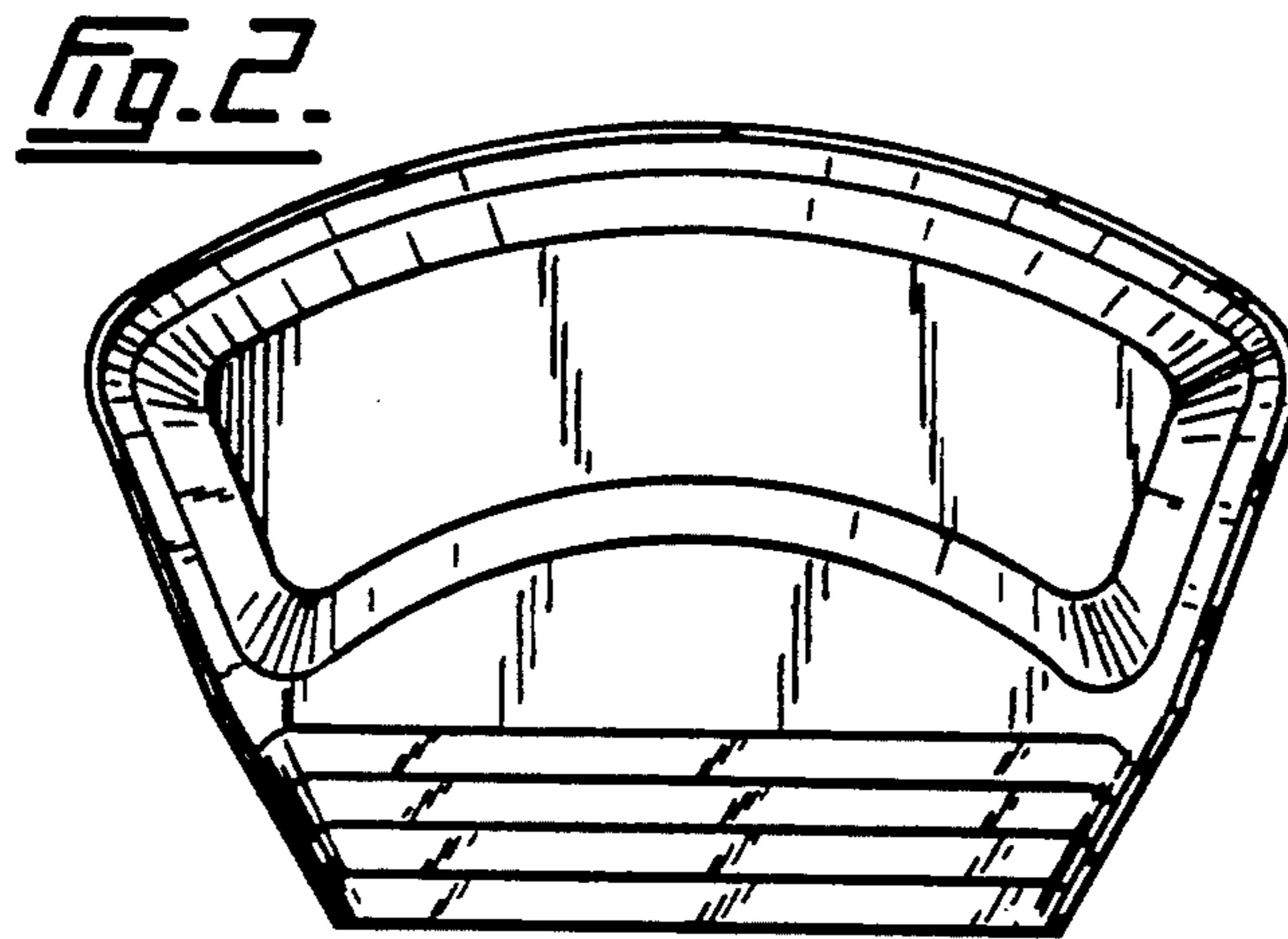
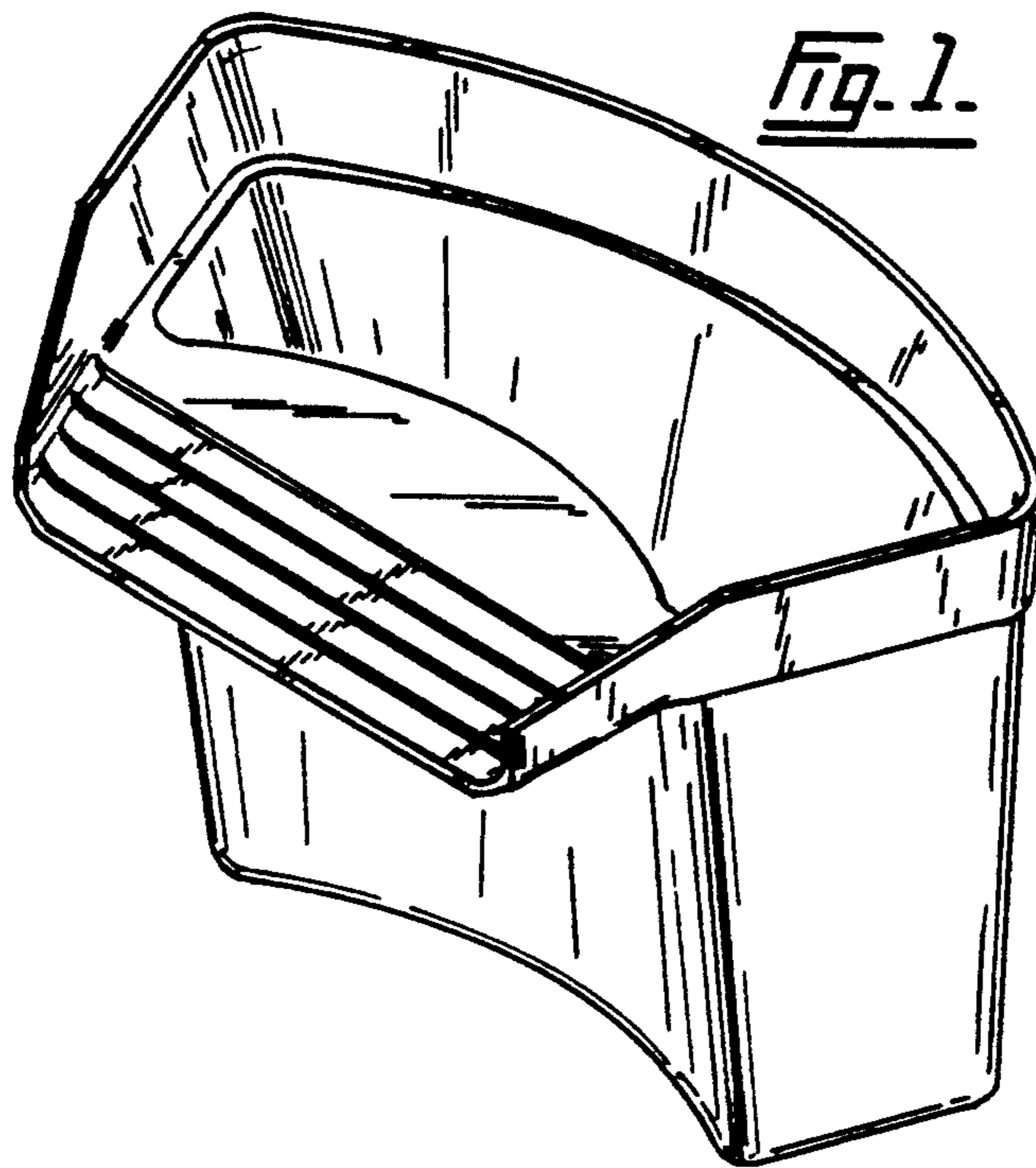


Fig. 4.

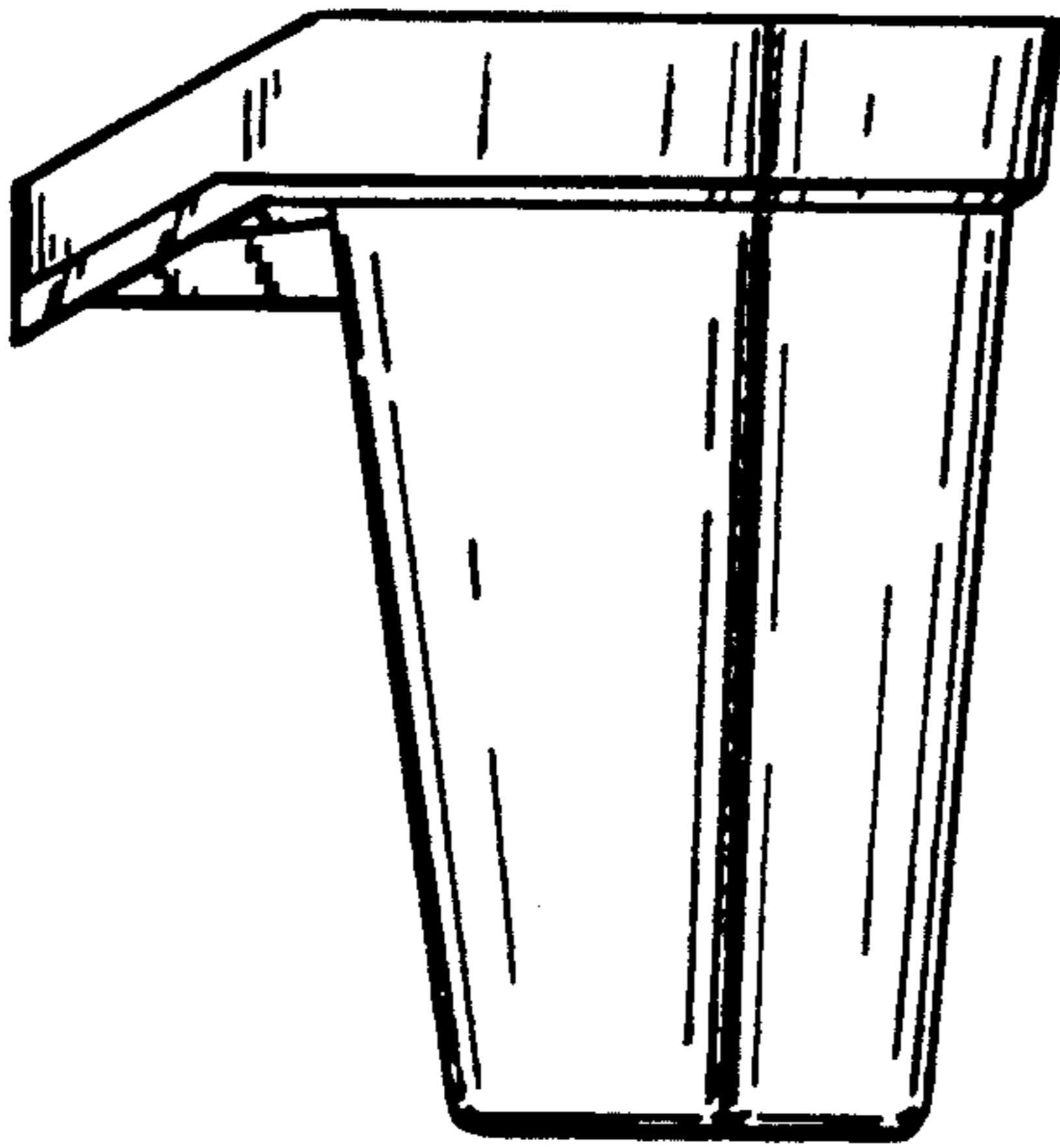


Fig. 5.

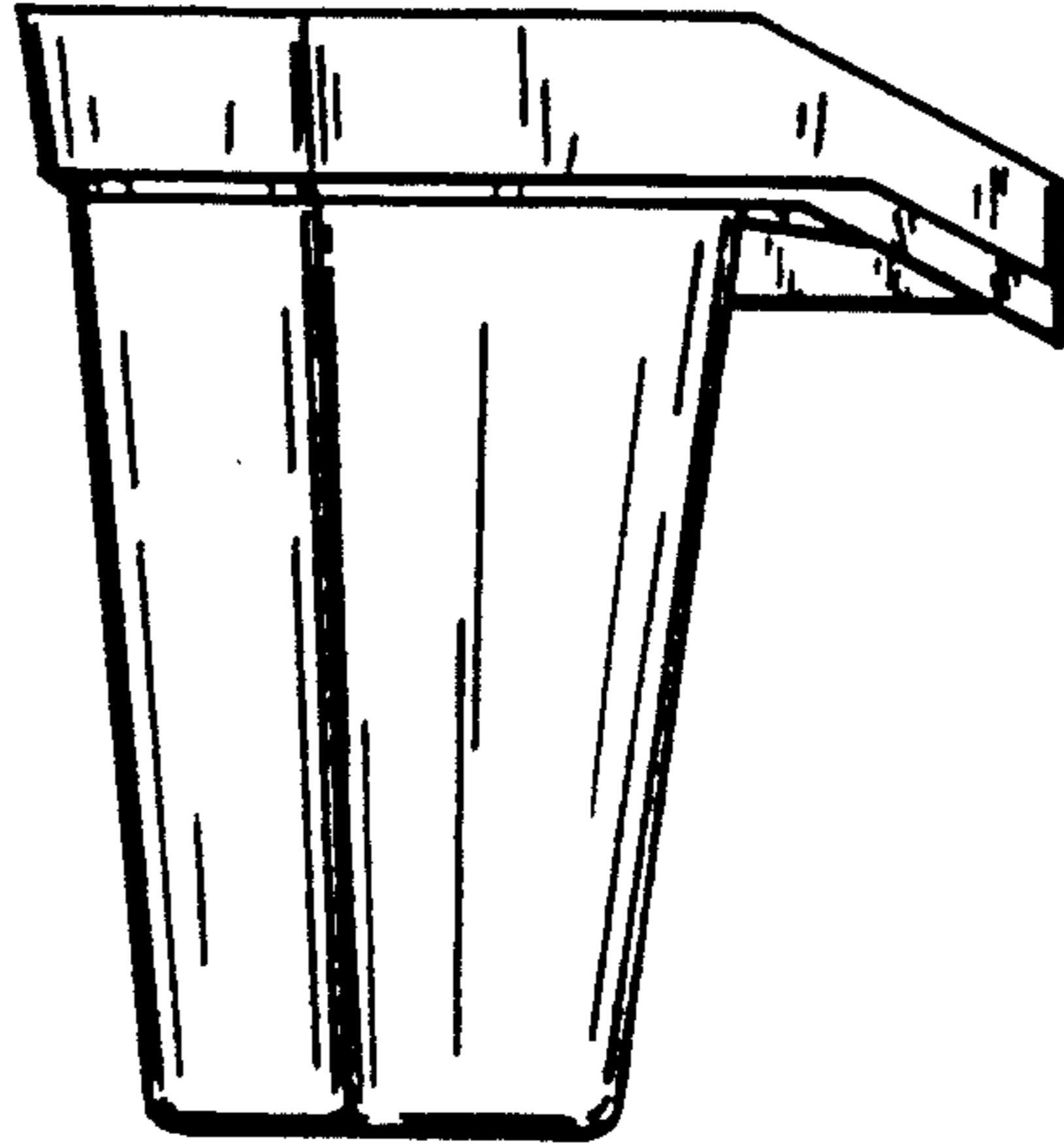


Fig. 6.

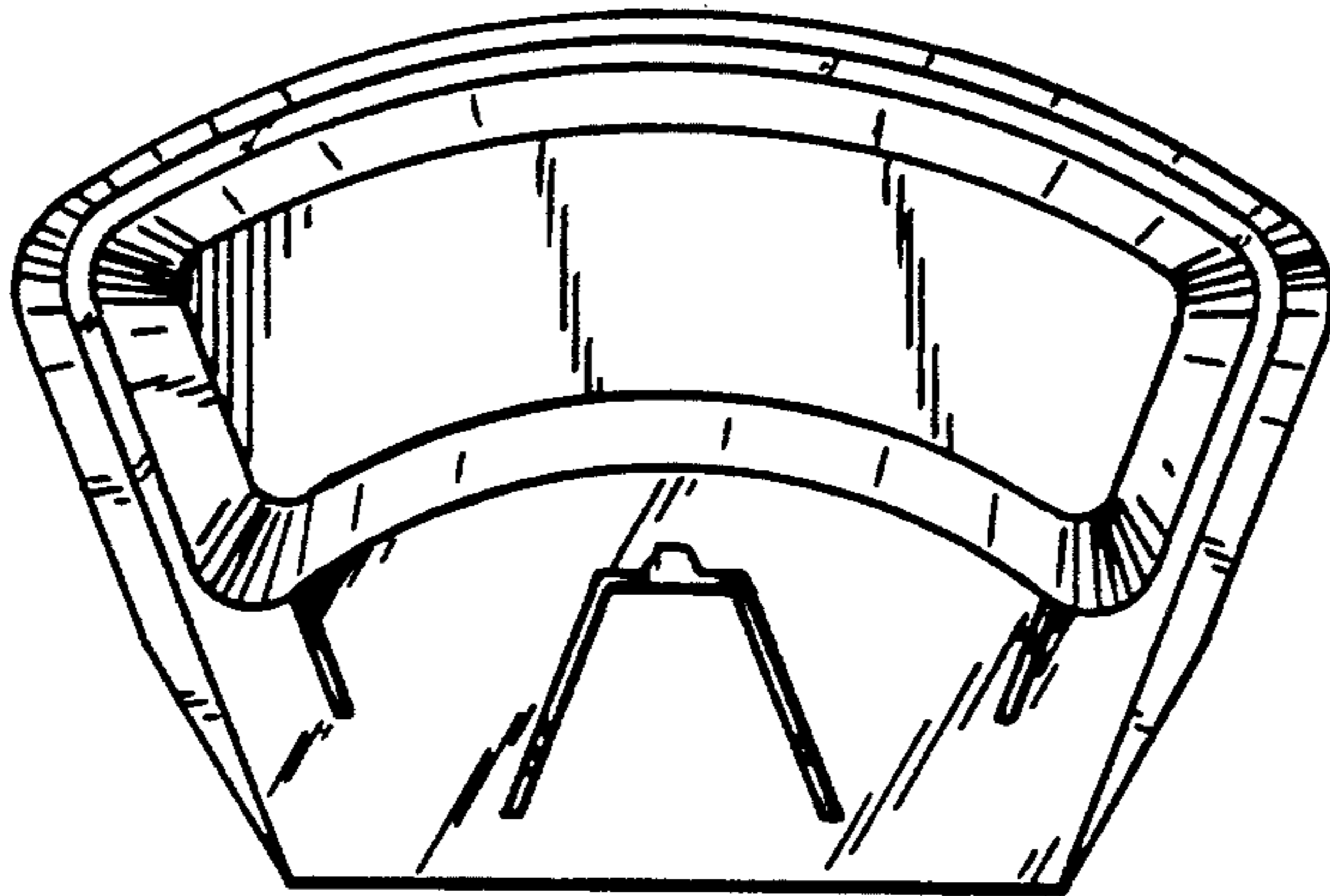


Fig. 7.

