



US00D341674S

United States Patent [19]

[11] Patent Number: **Des. 341,674**

Porter

[45] Date of Patent: **** Nov. 23, 1993**

[54] TABLE LAMP

[75] Inventor: **David H. Porter**, Chagrin Falls, Ohio

[73] Assignee: **The L. D. Kichler Co.**, Cleveland, Ohio

[**] Term: **14 Years**

[21] Appl. No.: **862,269**

[22] Filed: **Apr. 2, 1992**

[52] U.S. Cl. **D26/106**

[58] Field of Search **D26/93, 102-112; 362/410-414; D6/495, 486**

[56] References Cited

U.S. PATENT DOCUMENTS

D. 112,457	12/1938	Bohme	D26/106
D. 172,462	6/1954	Borowitz	D26/106
D. 188,734	8/1960	Jacobs	D26/93
D. 200,172	1/1965	Beck	D26/106
4,775,922	10/1988	Engel	D26/93 X

OTHER PUBLICATIONS

Home Lighting & Accessories, Jul. 1989, p. 80, Harris Lamps, Torchiere (right hand side).

Primary Examiner—Susan J. Lucas
Attorney, Agent, or Firm—Watts, Hoffmann, Fisher & Heinke

[57] CLAIM

The ornamental design for a table lamp, as shown and described.

DESCRIPTION

FIG. 1 is a perspective view of a table lamp showing my new design;

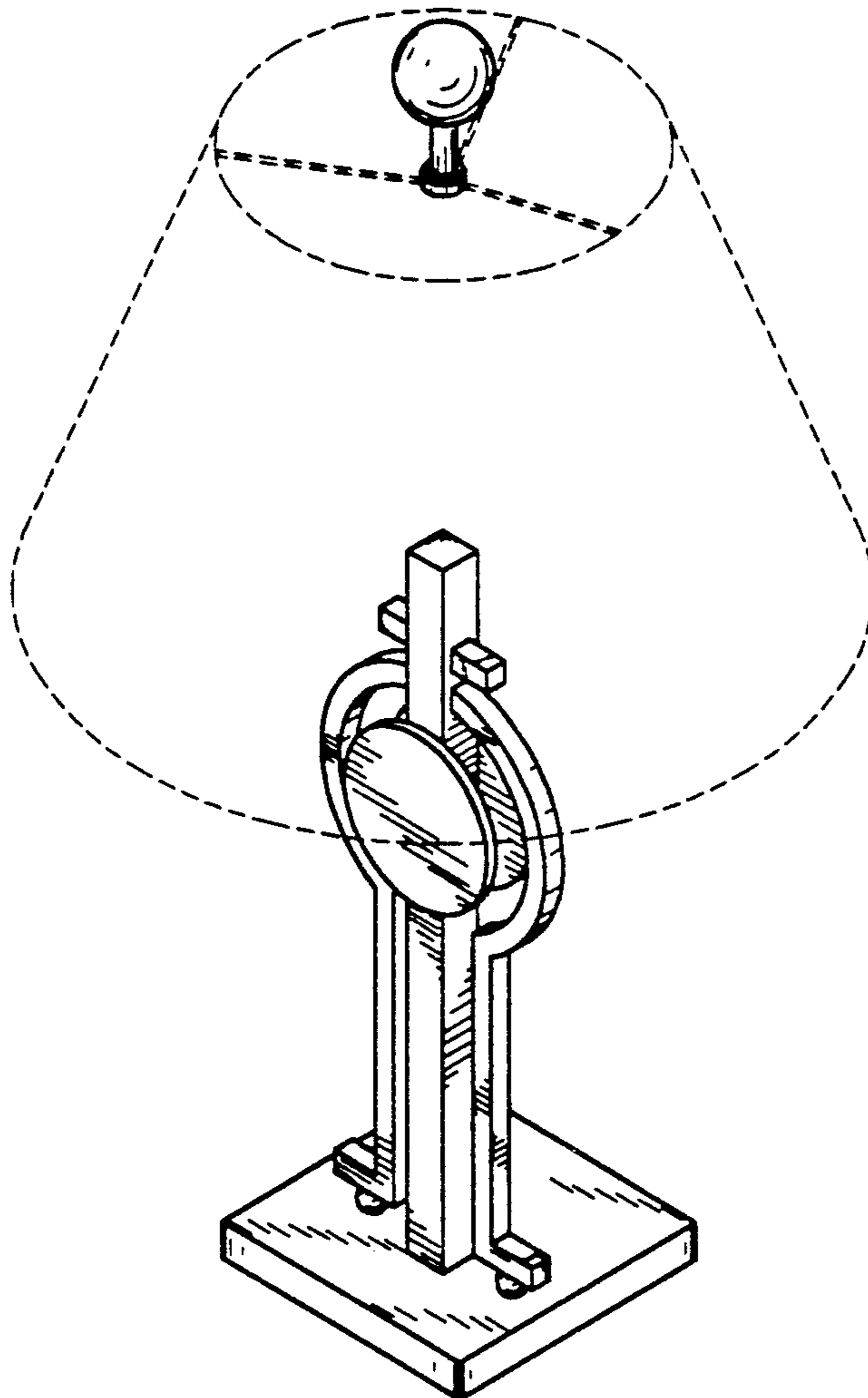
FIG. 2 is a front elevational view thereof, the rear elevational view being identical;

FIG. 3 is a right side elevational view thereof, the left side view being identical;

FIG. 4 is a top plan view thereof; and,

FIG. 5 is a bottom plan view thereof.

The shade is shown in broken lines for illustrative purposes only and forms no part of the claimed design.



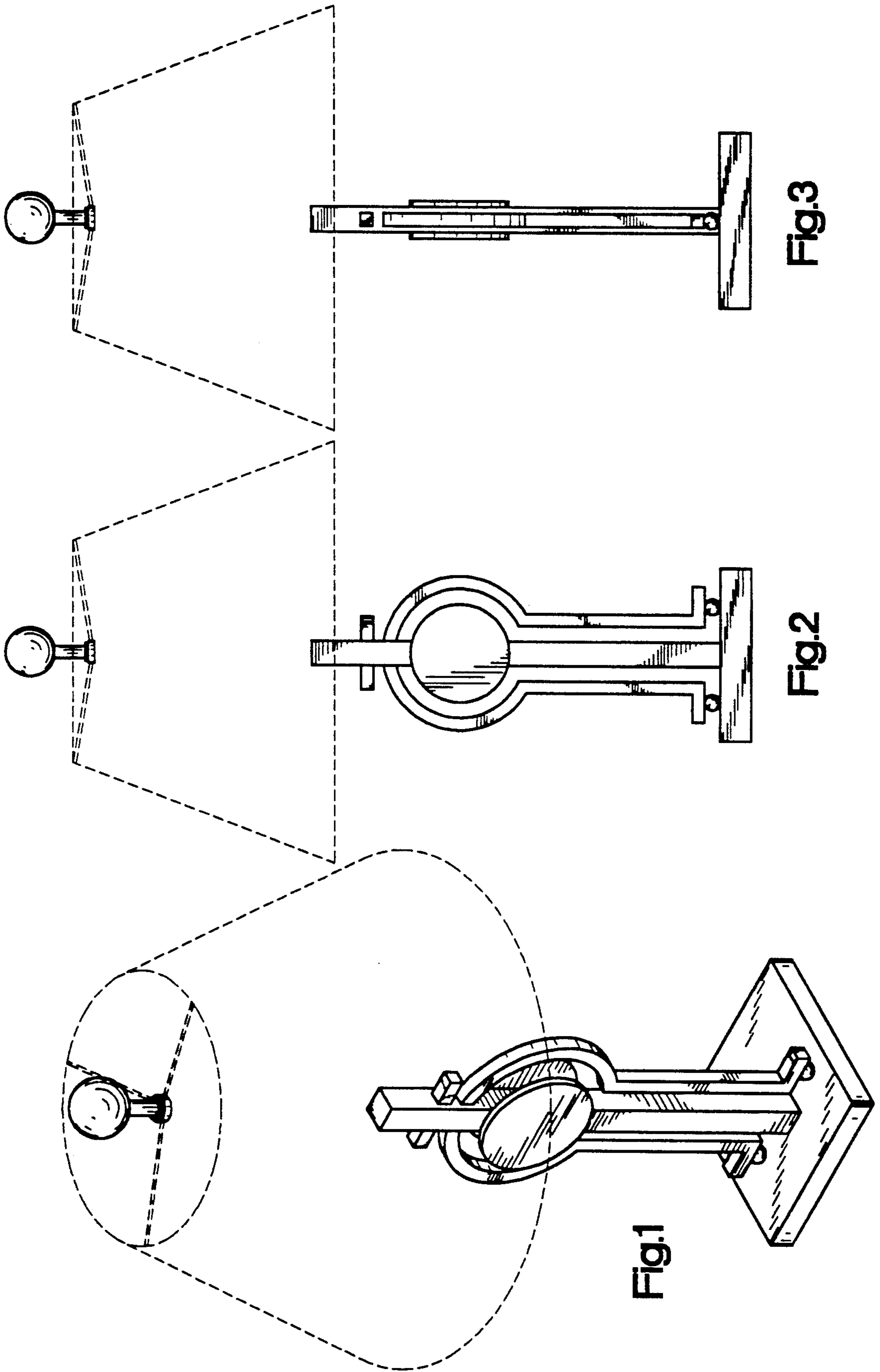


Fig.1

Fig.2

Fig.3

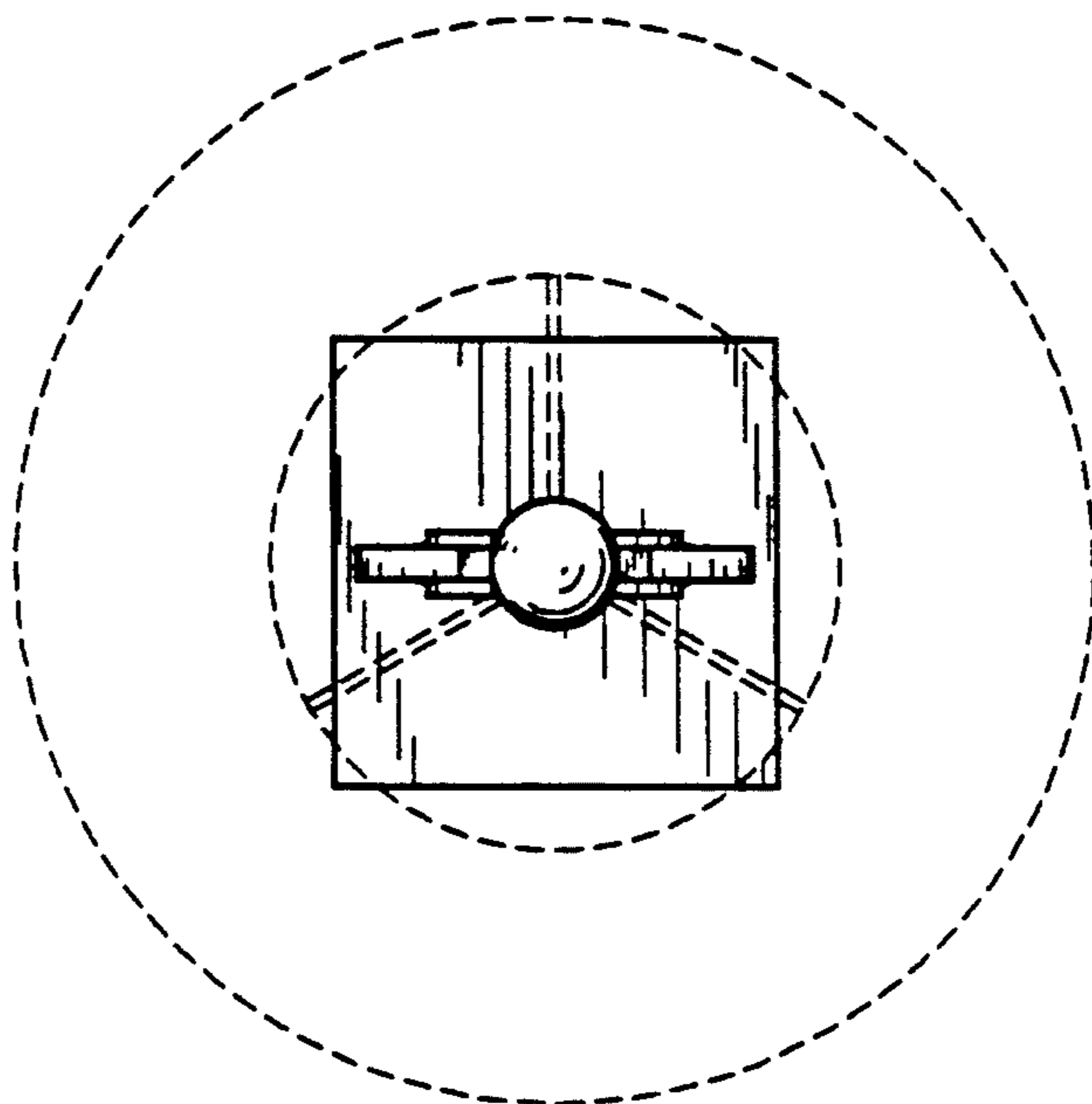


Fig.4

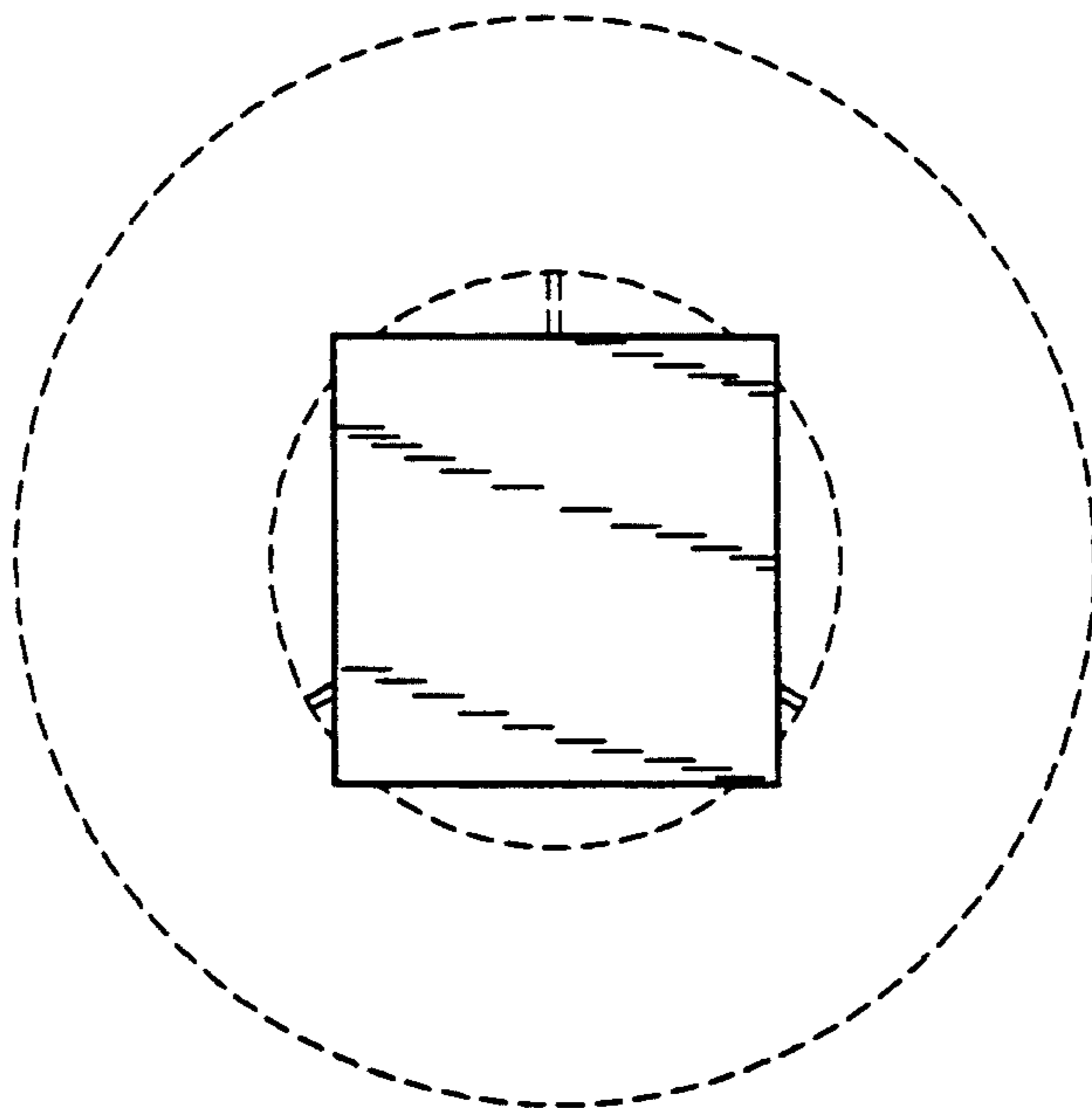


Fig.5