



US00D341671S

United States Patent [19]

[11] Patent Number: **Des. 341,671**

Kuo

[45] Date of Patent: **** Nov. 23, 1993**

[54] **ADJUSTABLE DESK LAMP**

D. 327,749 7/1992 Magnin et al. D26/63

[76] Inventor: **J. T. Kuo**, 1F., No. 92, Chao Yang Street, Kon Liao Hsiang, Taipei Hsien, Taiwan

Primary Examiner—Susan J. Lucas
Attorney, Agent, or Firm—Pro-Techtor International

[**] Term: **14 Years**

[57] **CLAIM**

[21] Appl. No.: **738,741**

The ornamental design for an adjustable desk lamp, as shown and described.

[22] Filed: **Aug. 1, 1991**

DESCRIPTION

[52] U.S. Cl. **D26/65; D26/64**

FIG. 1 is a perspective view of an adjustable desk lamp showing my new design;

[58] Field of Search **D26/61-66; 362/269, 275, 410, 413, 418, 419, 427**

FIG. 2 is a left side elevational view thereof;

FIG. 3 is a right side elevational view thereof;

FIG. 4 is a front elevational view thereof;

FIG. 5 is a rear elevational view thereof;

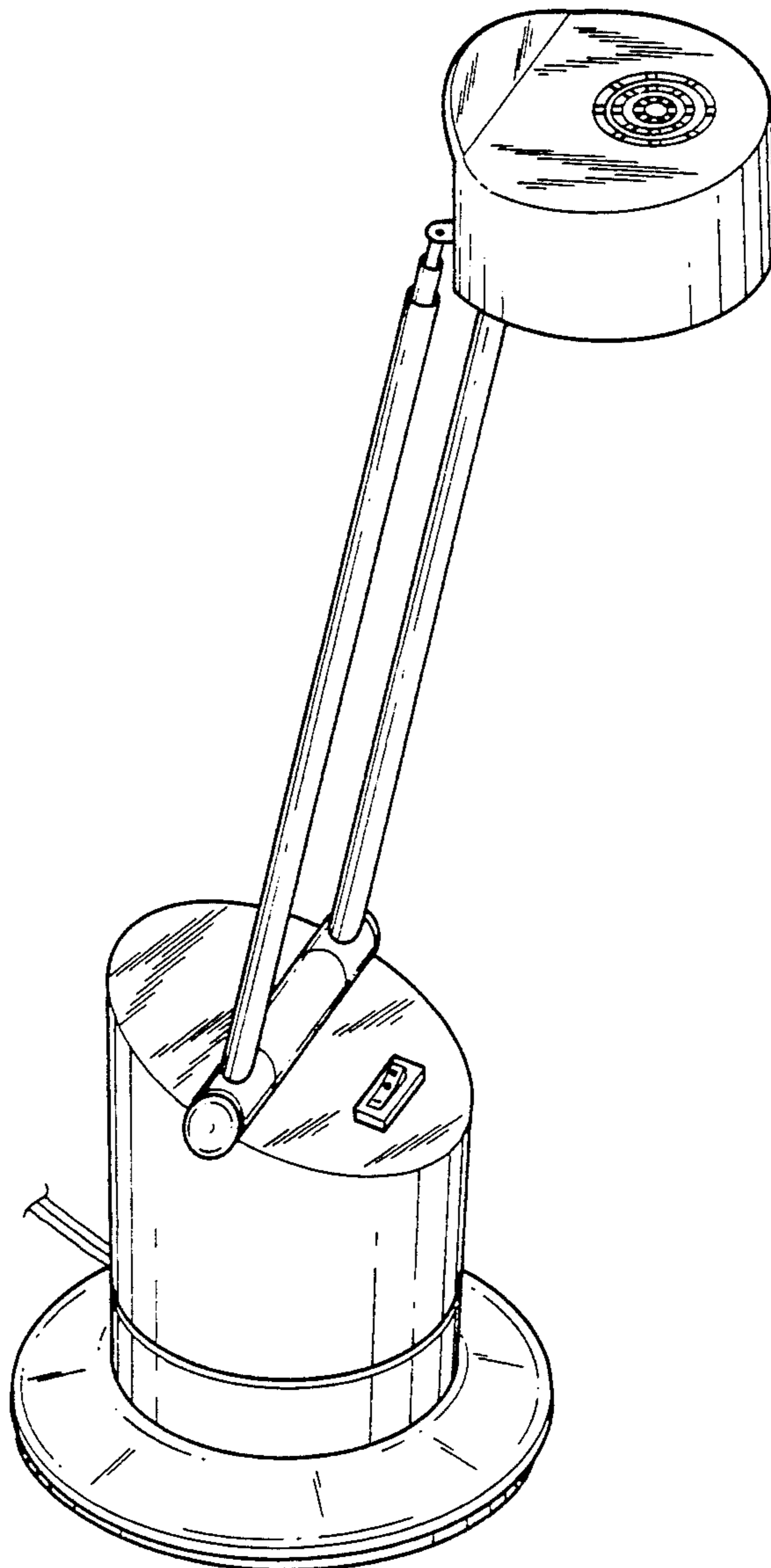
FIG. 6 is a top plan view thereof; and,

FIG. 7 is a bottom plan view thereof.

[56] **References Cited**

U.S. PATENT DOCUMENTS

D. 322,863 12/1991 Chin-Song D26/65



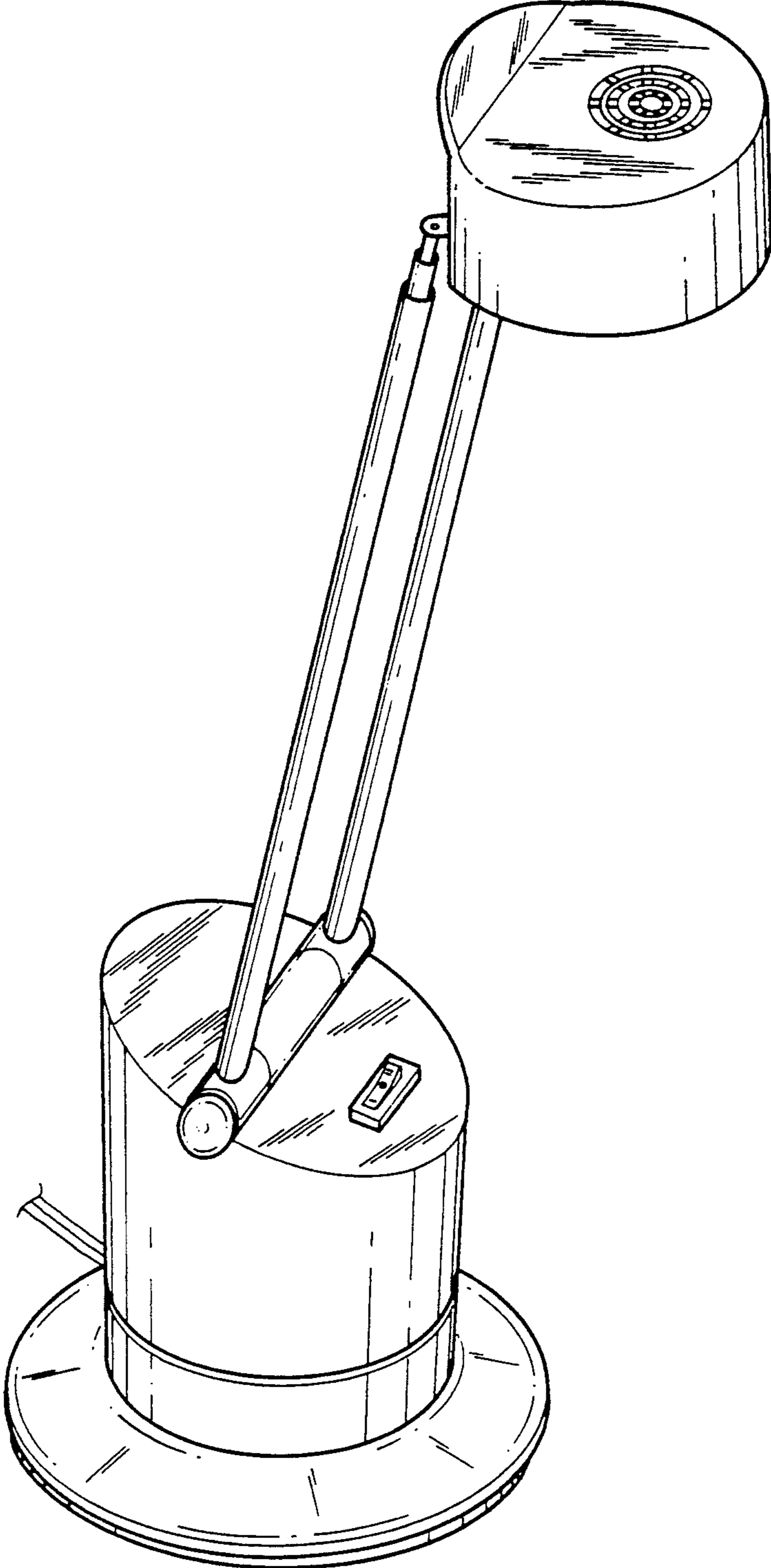


FIG. 1

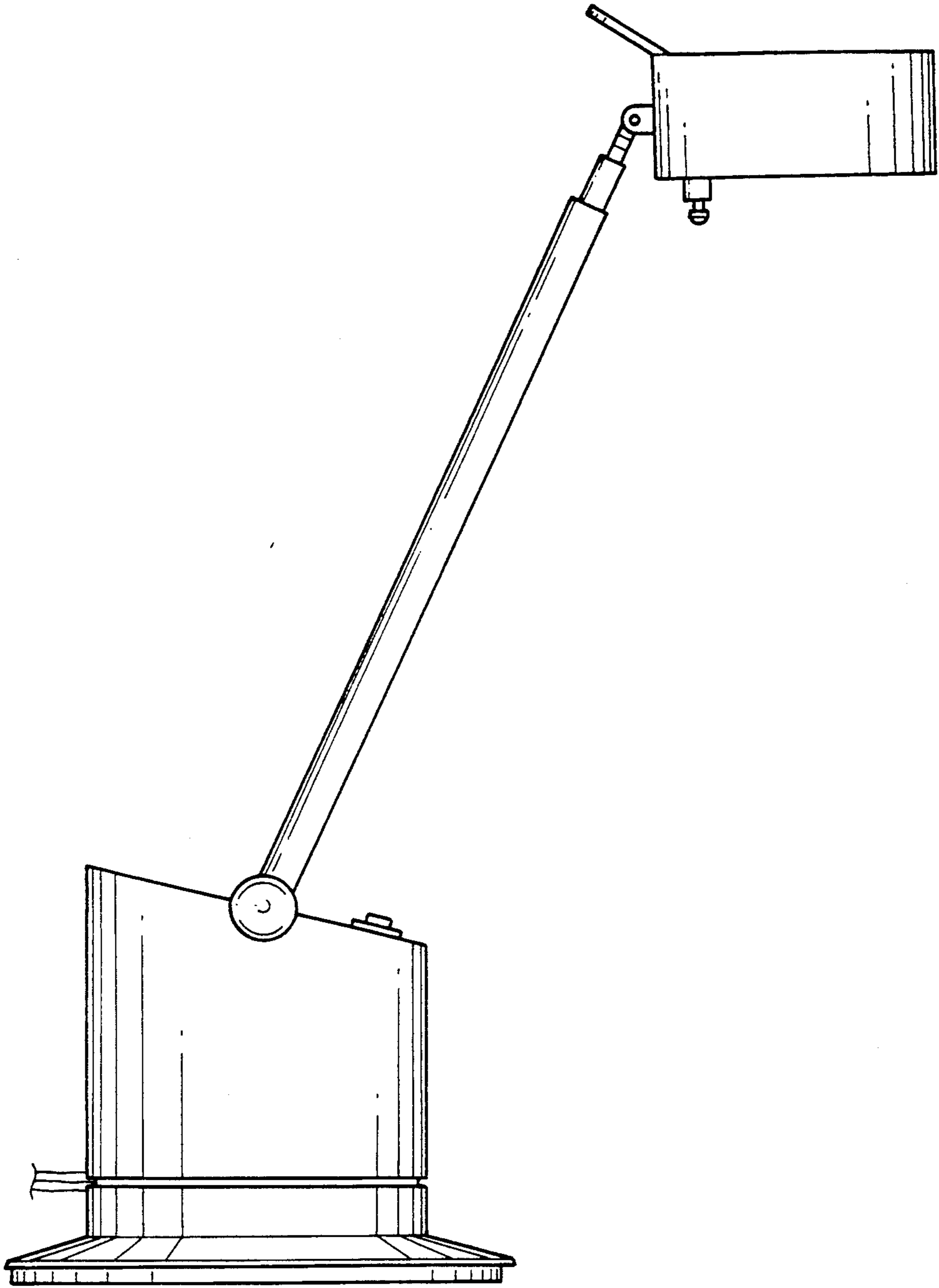


FIG. 2

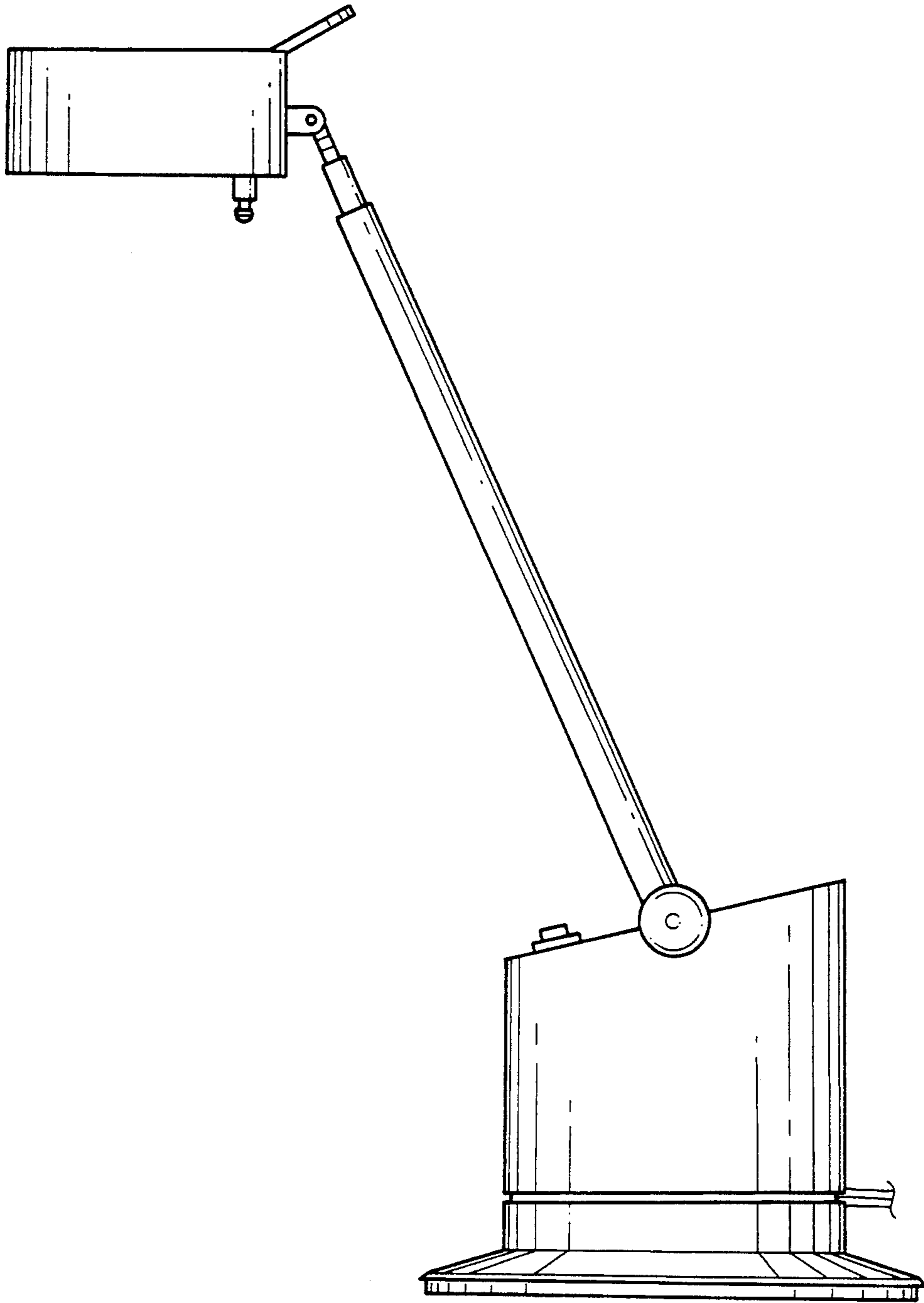


FIG. 3

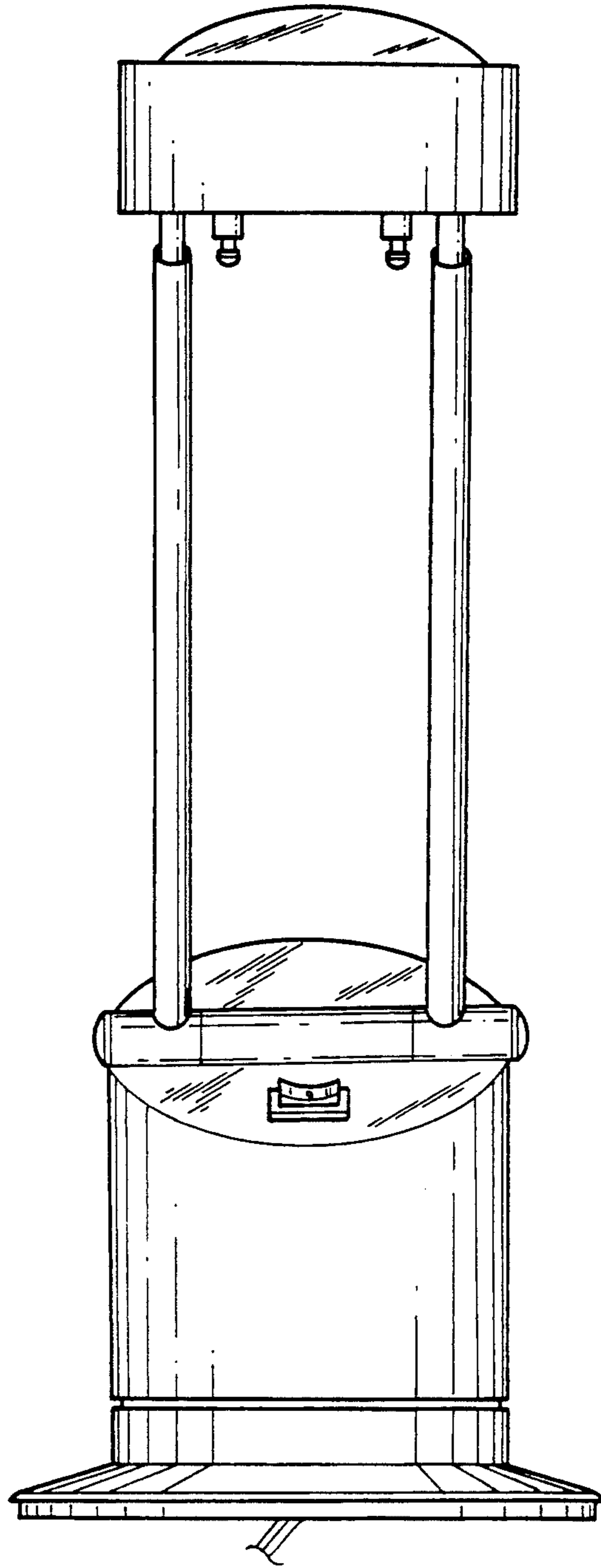


FIG. 4

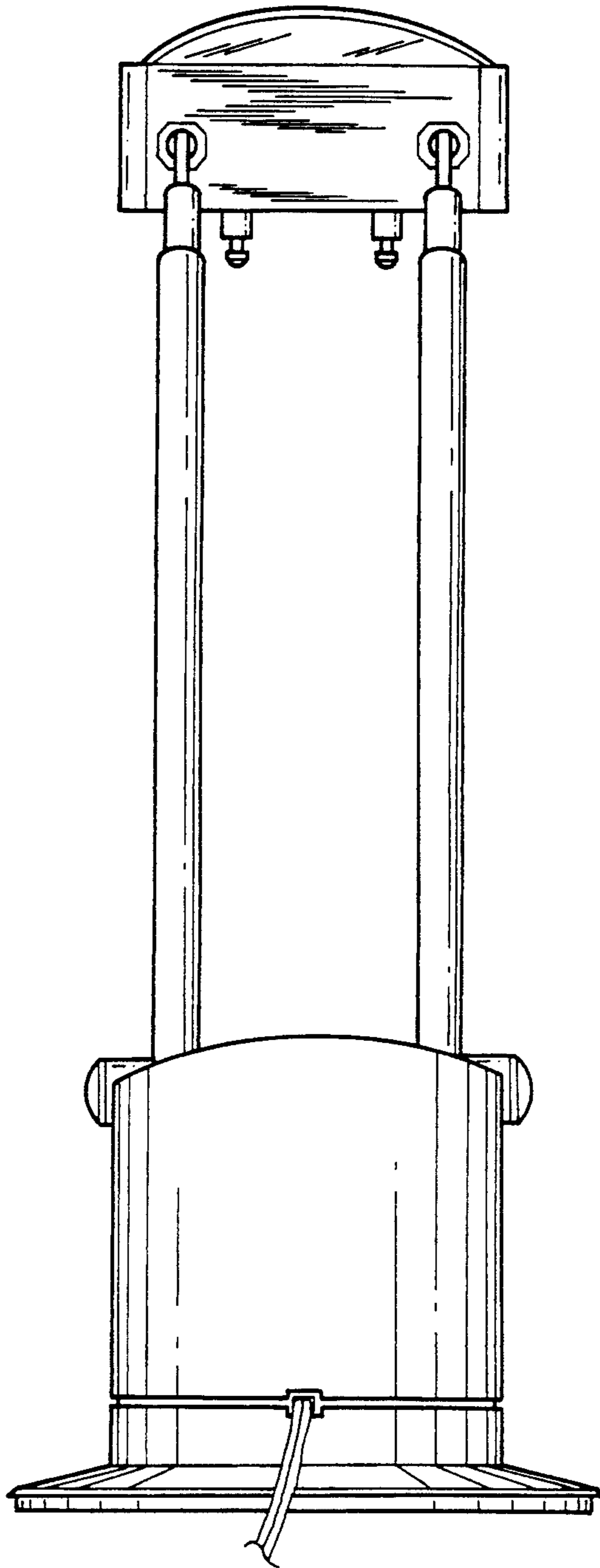


FIG. 5

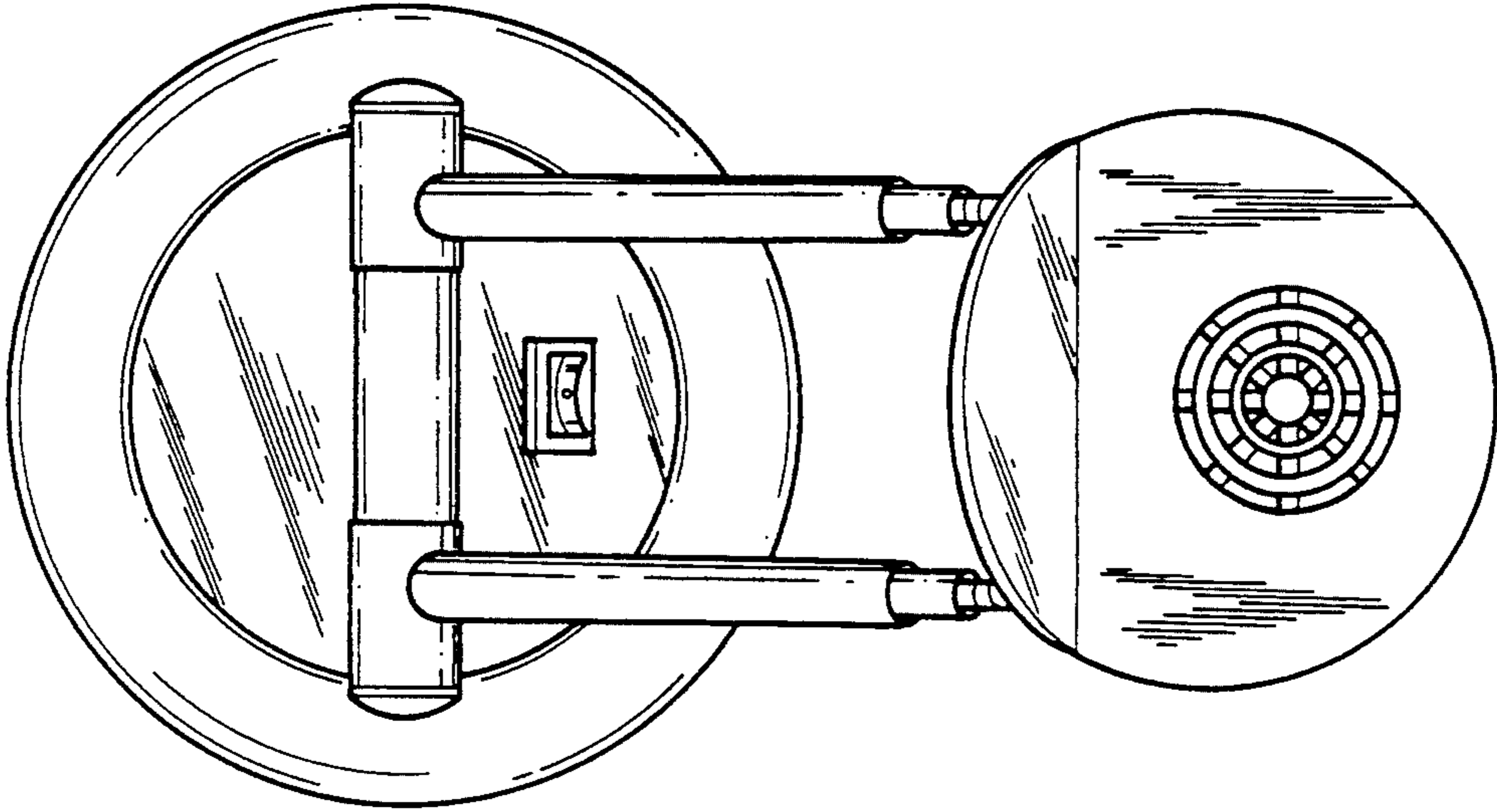


FIG. 6

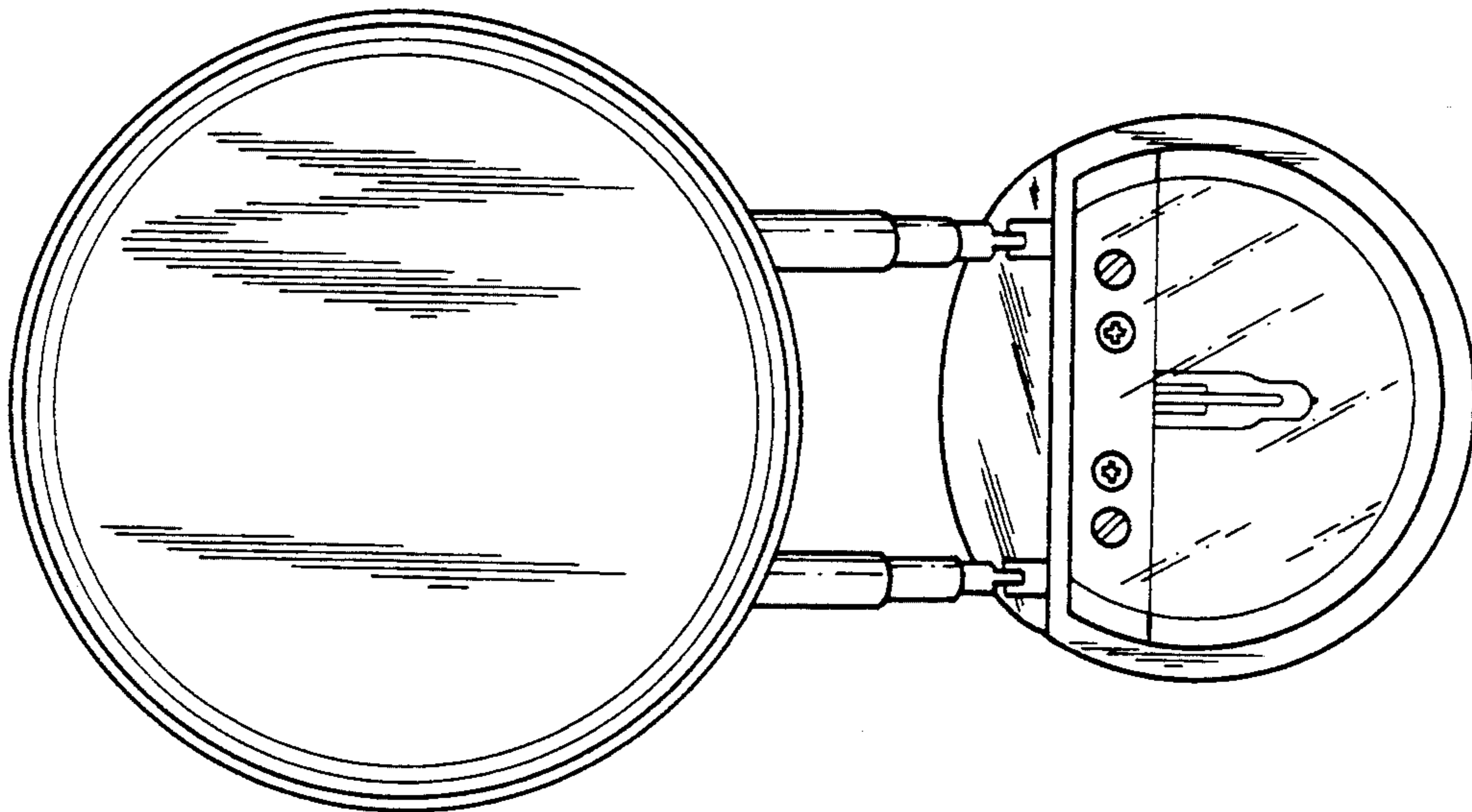


FIG. 7