



US00D341668S

United States Patent [19]

[11] Patent Number: Des. 341,668

Herter

[45] Date of Patent: ** Nov. 23, 1993

[54] SUSPENDED CEILING

Attorney, Agent, or Firm—John J. Swartz

[76] Inventor: Philip F. Herter, 2859 Cedar La., Bay City, Mich. 48706

[57] CLAIM

The ornamental design for a suspended ceiling, as shown and described.

[**] Term: 14 Years

DESCRIPTION

[21] Appl. No.: 517,062

FIG. 1 is a fragmentary bottom perspective view of a suspended ceiling illustrating a new design of my invention;

[22] Filed: May 1, 1990

FIG. 2 is a fragmentary bottom plan view thereof, the pattern of the suspended ceiling is repetitive as shown in FIG. 2 of the drawing disclosure;

[52] U.S. Cl. D25/58

FIG. 3 is an enlarged fragmentary top perspective view of the connector assembly shown in FIG. 1;

[58] Field of Search D25/58; 52/483, 484, 52/488-489, 314, 456

FIG. 4 is a fragmentary side elevational view as viewed from the left side of FIG. 2;

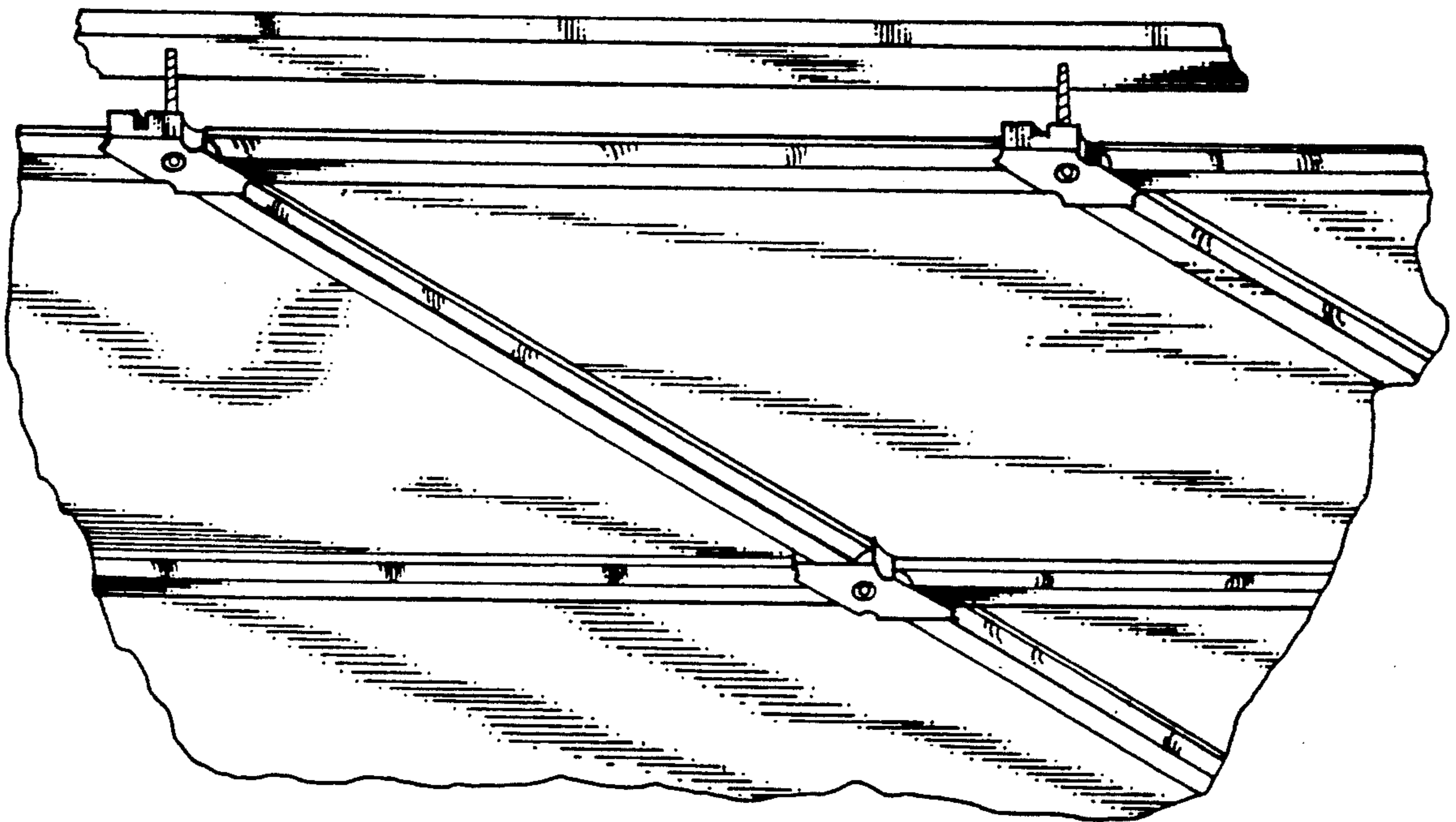
[56] References Cited

U.S. PATENT DOCUMENTS

D. 268,786	4/1983	Galindo	D25/58
2,913,571	11/1959	Smith	52/484
3,802,142	4/1974	Fehr	52/483
4,885,889	12/1989	Hemphill	52/484

FIG. 5 is a fragmentary top plan view thereof, without any ceiling tile in position supported by rails; and, FIG. 6 is a fragmentary top plan view, similar to FIG. 5, but illustrating the ceiling panels in position supported by the rails.

Primary Examiner—A. Hugo Word
Assistant Examiner—Doris Clark



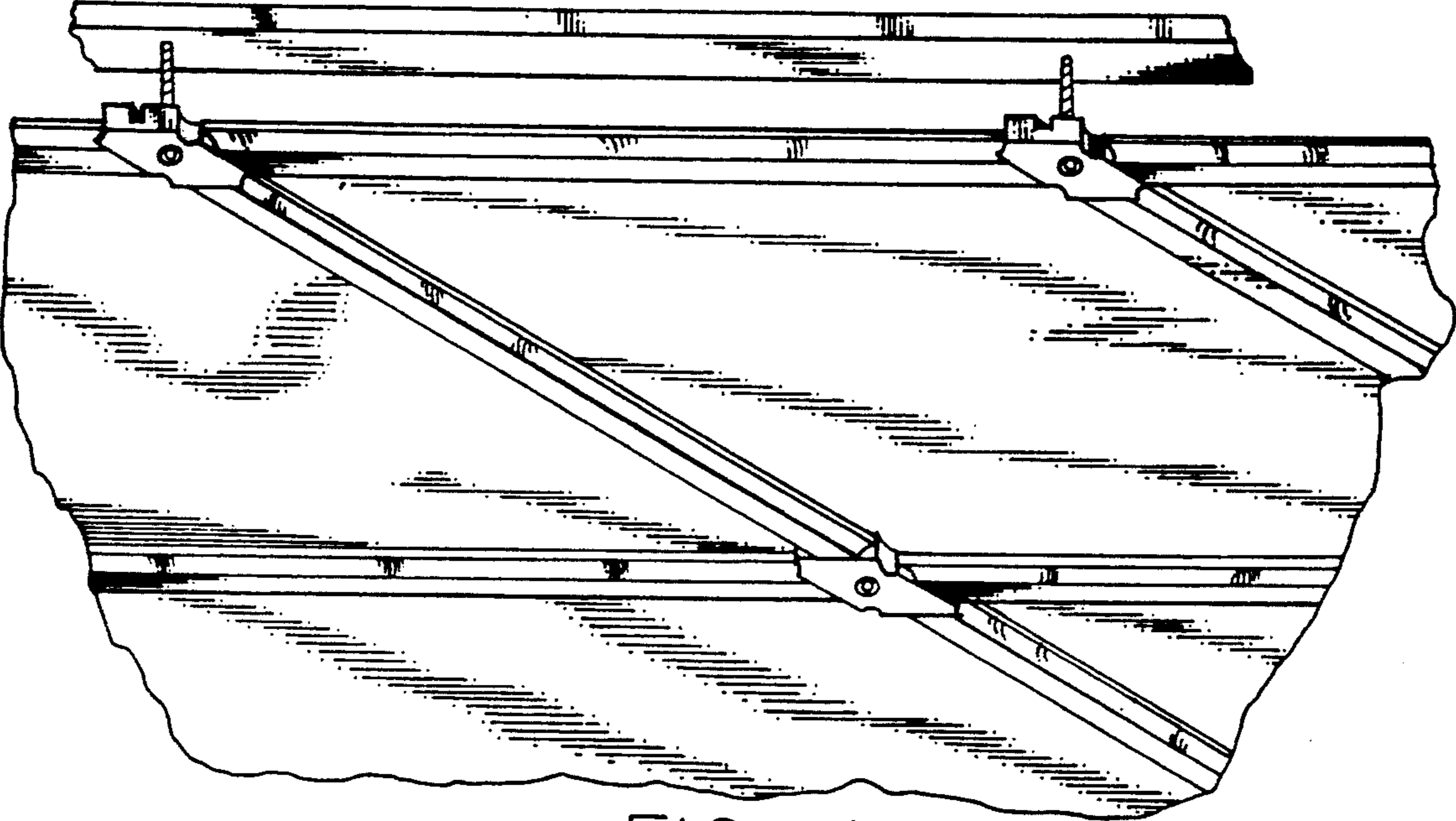


FIG. 1

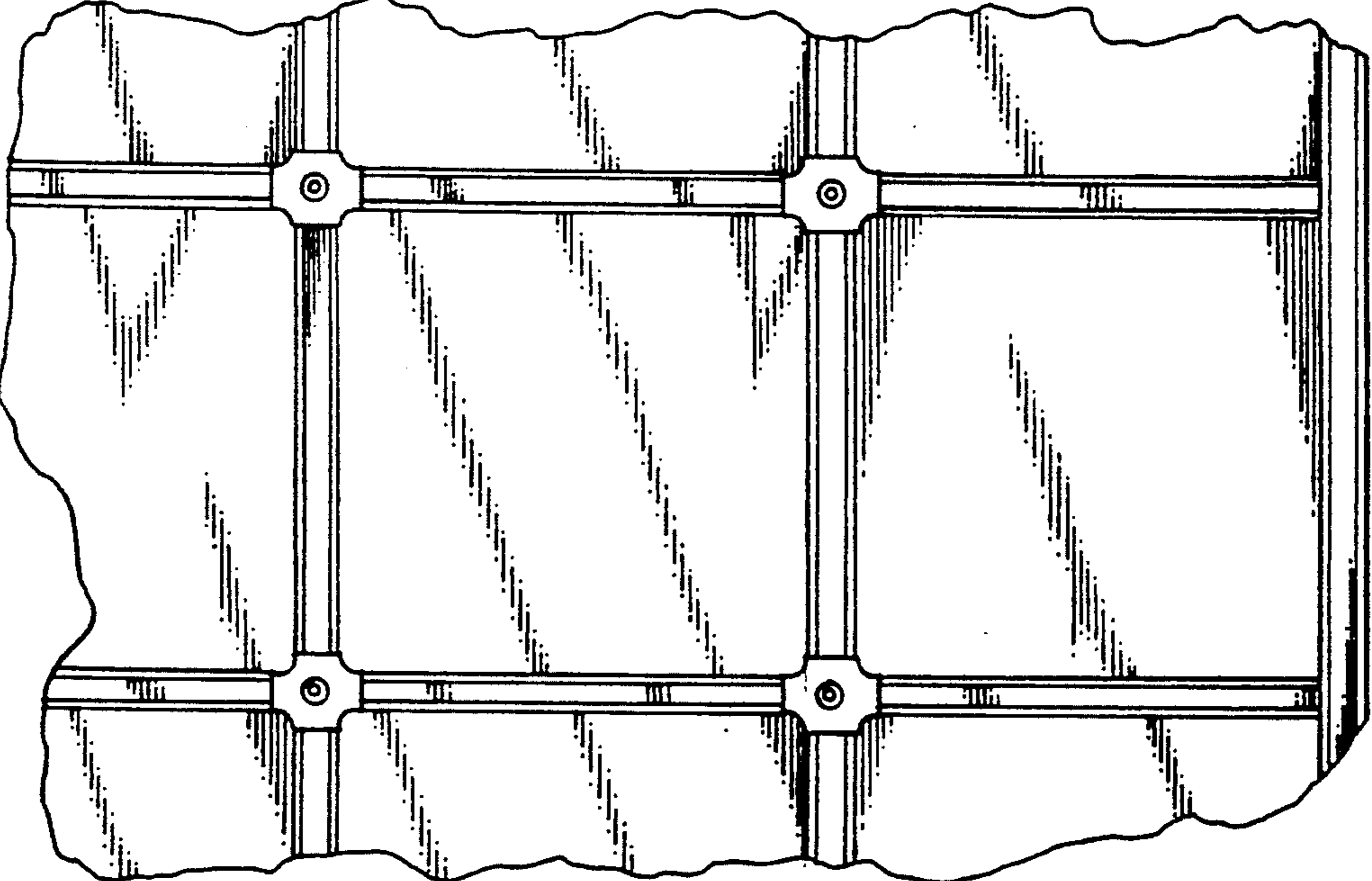


FIG. 2

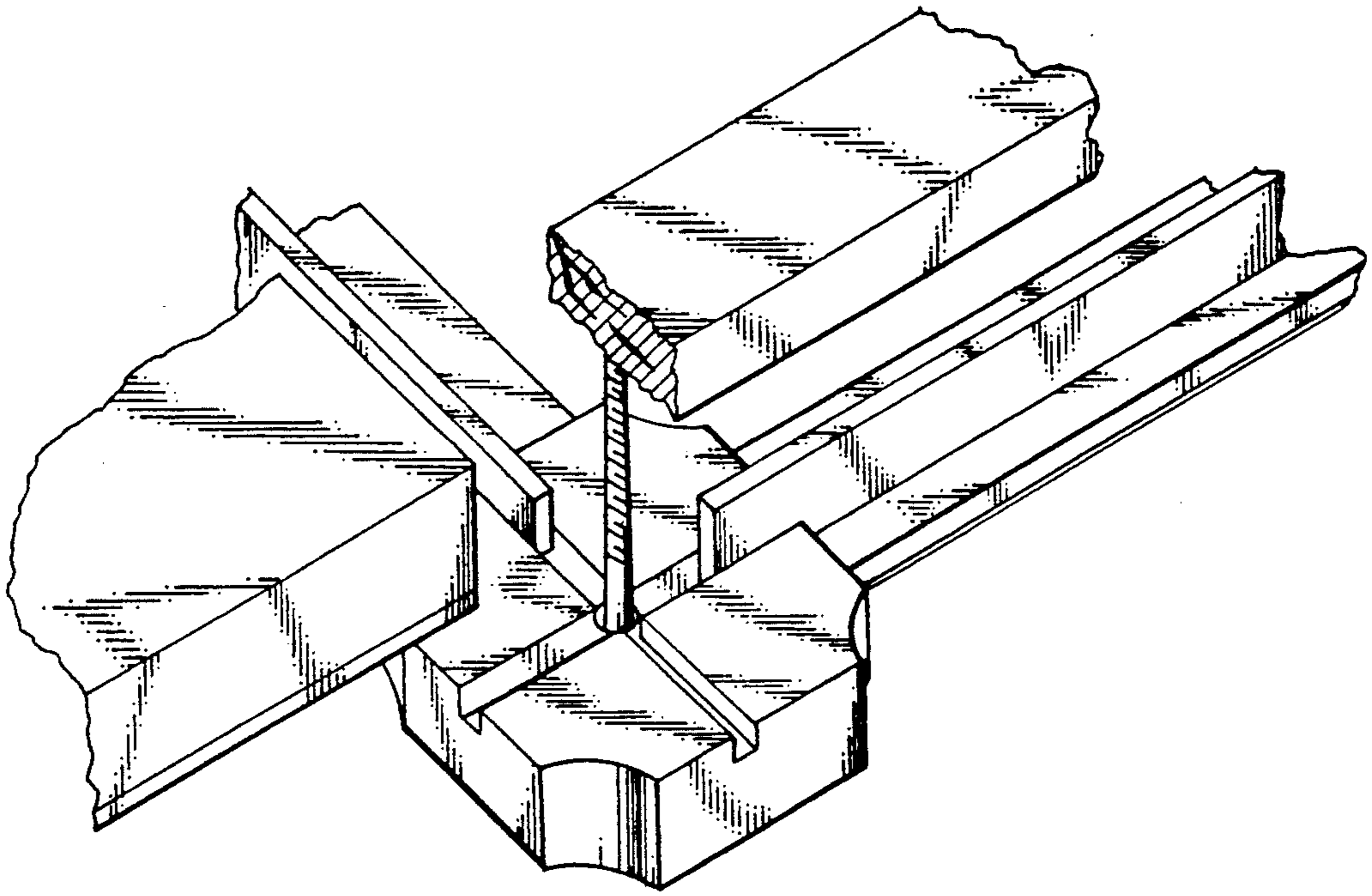


FIG. 3

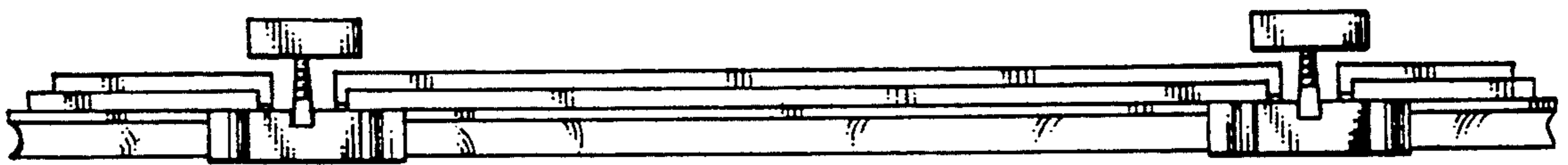


FIG. 4

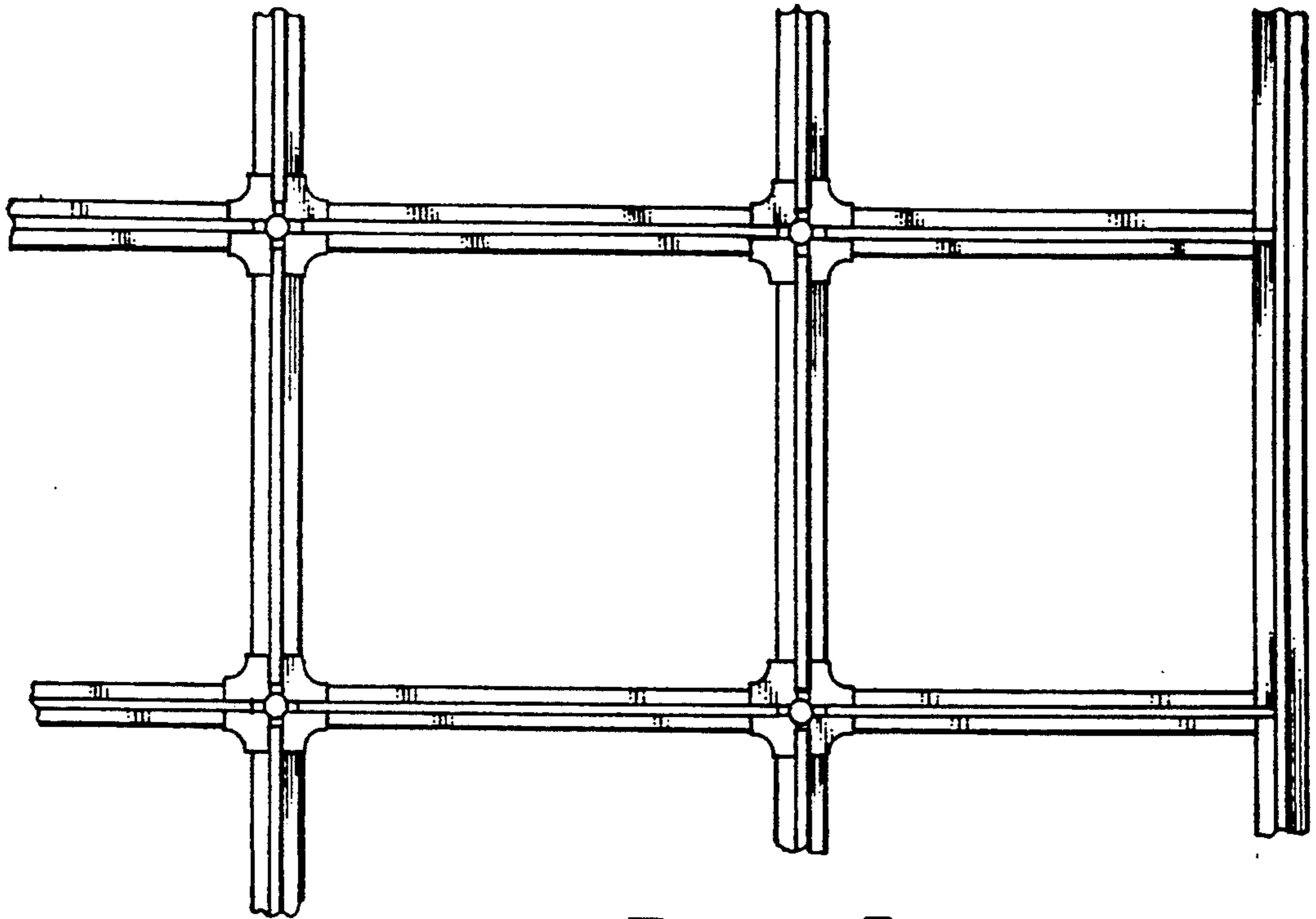


FIG. 5

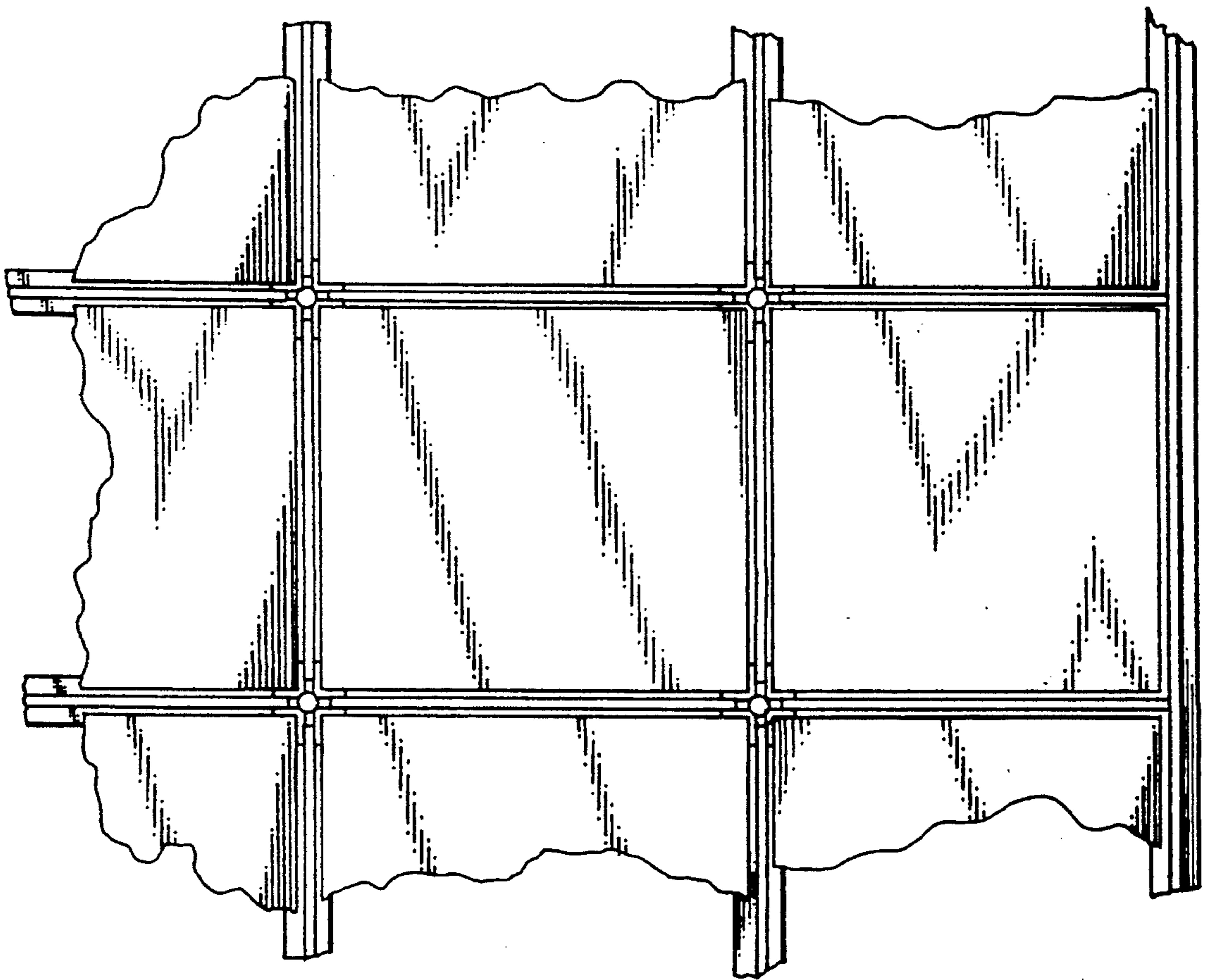


FIG. 6