



US00D341666S

United States Patent [19] Cole

[11] Patent Number: **Des. 341,666**

[45] Date of Patent: **** Nov. 23, 1993**

[54] WINDOW COMPONENT EXTRUSION

[75] Inventor: **Douglas L. Cole, Seattle, Wash.**

[73] Assignee: **Mikron Industries, Kent, Wash.**

[*] Notice: The portion of the term of this patent subsequent to Nov. 16, 2007 has been disclaimed.

[**] Term: **14 Years**

[21] Appl. No.: **674,023**

[22] Filed: **Mar. 22, 1991**

[52] U.S. Cl. **D25/124**

[58] Field of Search **D25/52, 119-125; 49/501, 504, DIG. 2; 52/202-204**

[56] **References Cited**

U.S. PATENT DOCUMENTS

D. 261,306	10/1981	Schmidt	D25/124
D. 301,067	5/1989	Dallaire et al.	D25/124
D. 307,944	5/1990	Westphal et al.	D25/124
D. 308,103	5/1990	Westphal et al.	D25/124

Primary Examiner—A. Hugo Word
Assistant Examiner—Doris Clark
Attorney, Agent, or Firm—Seed and Berry

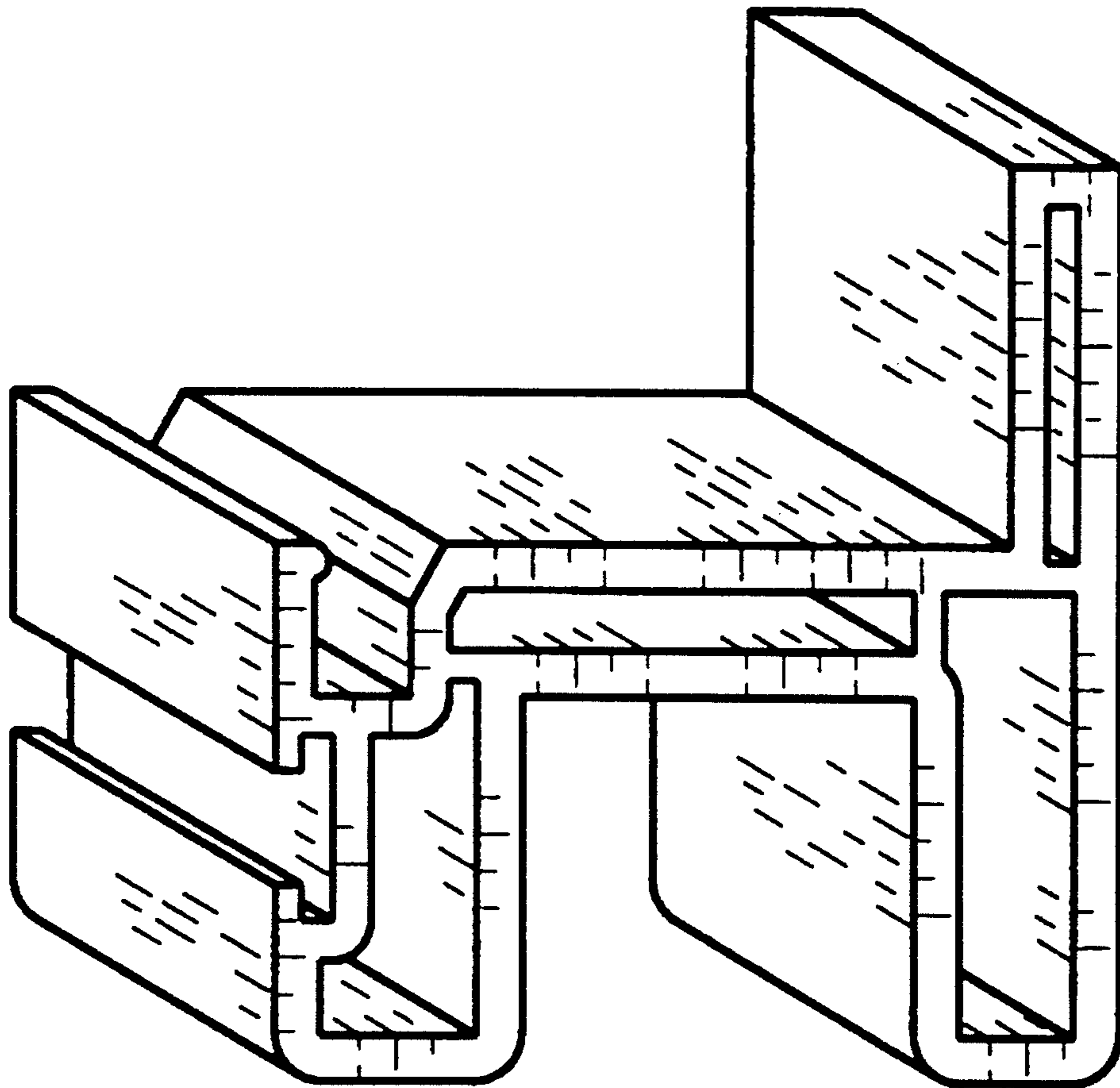
[57] **CLAIM**

The ornamental design for a window component extrusion, as shown and described.

DESCRIPTION

FIG. 1 is a top, right, perspective view of a window component extrusion showing my new design, the window component extrusion being of indefinite length; and,

FIG. 2 is a bottom, left, perspective view therefor.



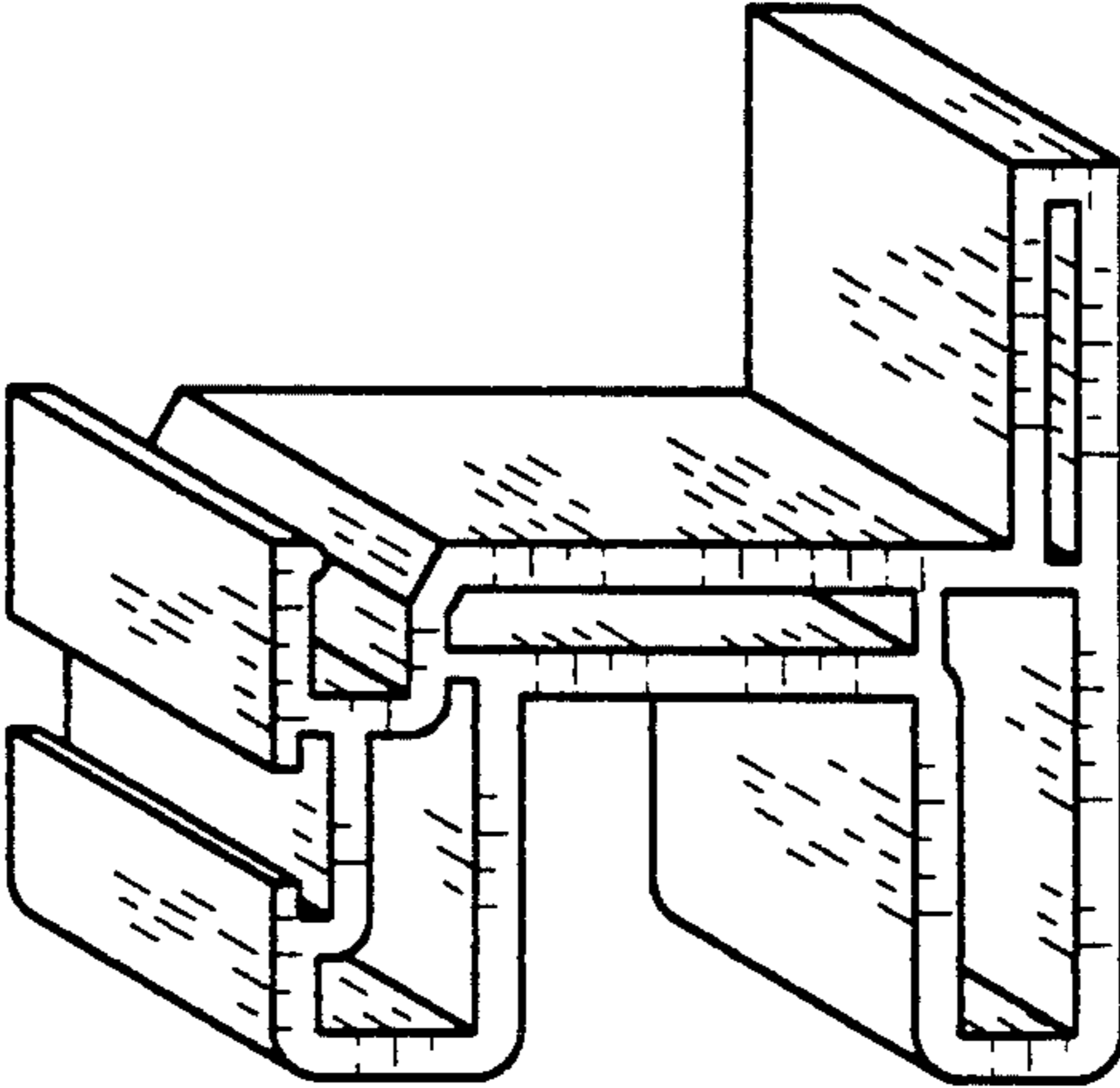


FIG. 1

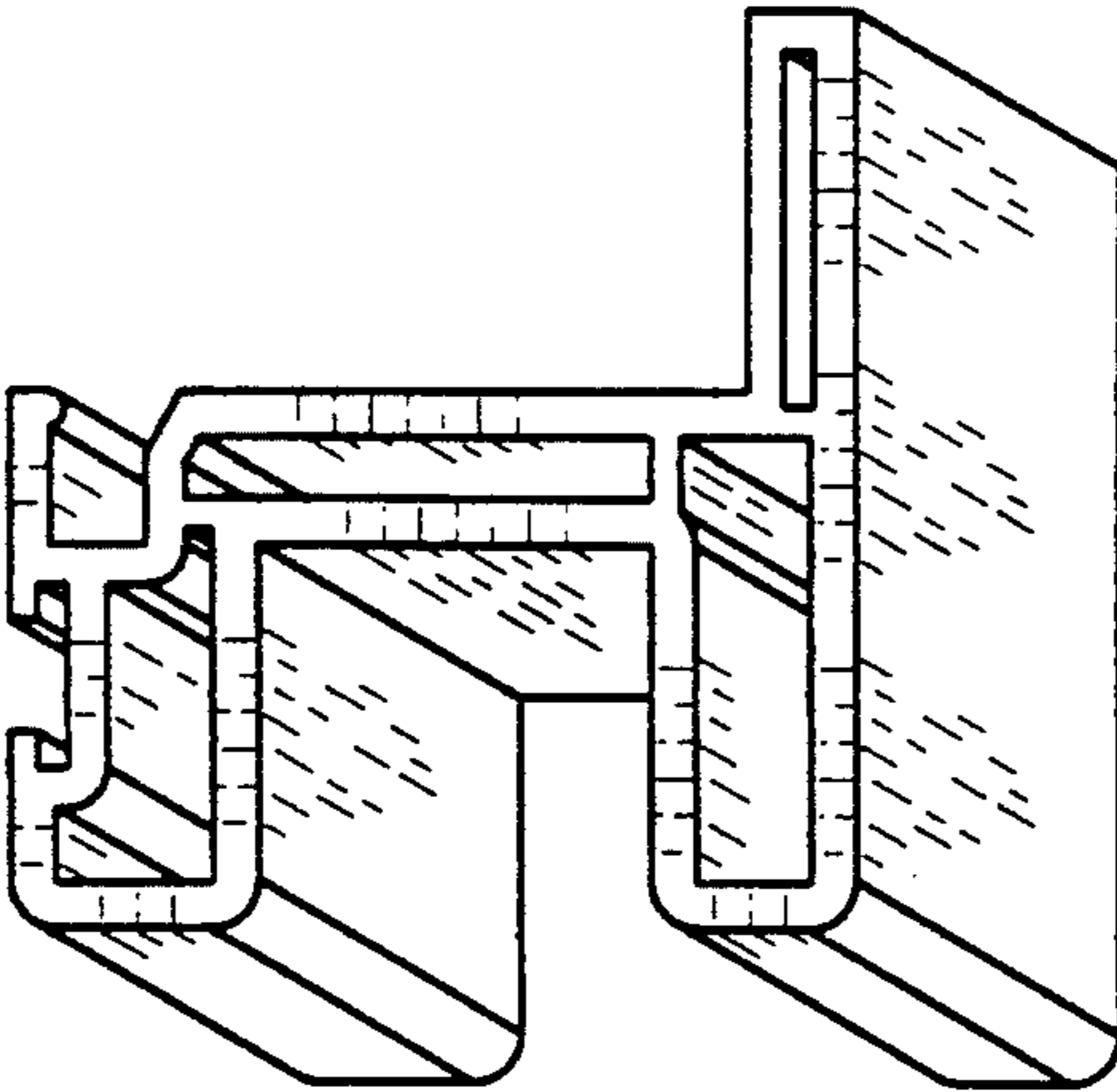


FIG. 2