



US00D341664S

# United States Patent [19] Newkirk

[11] Patent Number: **Des. 341,664**

[45] Date of Patent: **\*\* Nov. 23, 1993**

[54] **ADJUSTABLE LADDER FOOT**

[76] Inventor: **Roger C. Newkirk, R.R. 1 Box  
240-A1, Elizaville, N.Y. 12523**

[\*\*] Term: **14 Years**

[21] Appl. No.: **745,366**

[22] Filed: **Aug. 14, 1991**

[52] U.S. Cl. .... **D25/68**

[58] Field of Search ..... **D25/68; 182/107-109,  
182/203-205**

[56] **References Cited**

**U.S. PATENT DOCUMENTS**

D. 316,608	4/1991	Wagner	.....	D25/68
1,592,499	7/1926	Padgett	.....	182/203
2,449,609	9/1948	Linder et al.	.....	182/107
3,394,774	7/1968	Lanier	.....	182/204
4,798,262	1/1989	Margolies	.....	182/107

*Primary Examiner*—A. Hugo Word  
*Assistant Examiner*—Doris Clark  
*Attorney, Agent, or Firm*—Leon Gilden

[57] **CLAIM**

The ornamental design for a adjustable ladder foot, as shown and described.

**DESCRIPTION**

FIG. 1 is a front elevational view of the adjustable ladder foot showing my new design; FIG. 2 is a rear elevational view thereof; FIG. 3 is a left side elevational view thereof; FIG. 4 is a right side elevational view thereof; FIG. 5 is a top plan view thereof; FIG. 6 is a bottom plan view thereof; and, FIG. 7 is a perspective view of an adjustable ladder foot showing my new design, the broken lines showing a ladder are for illustrative purposes only and form no part of the claimed design.

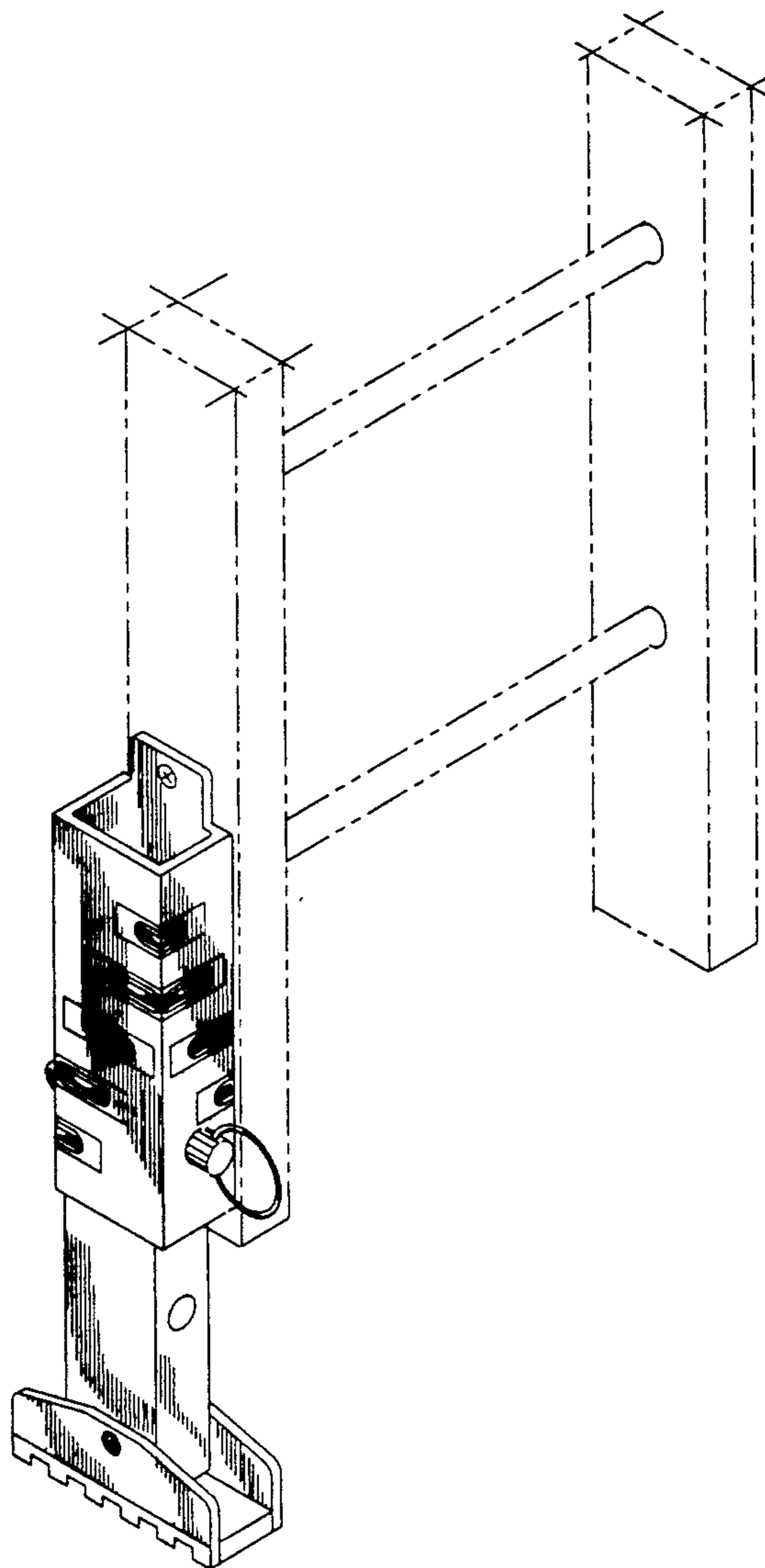


FIG. 1

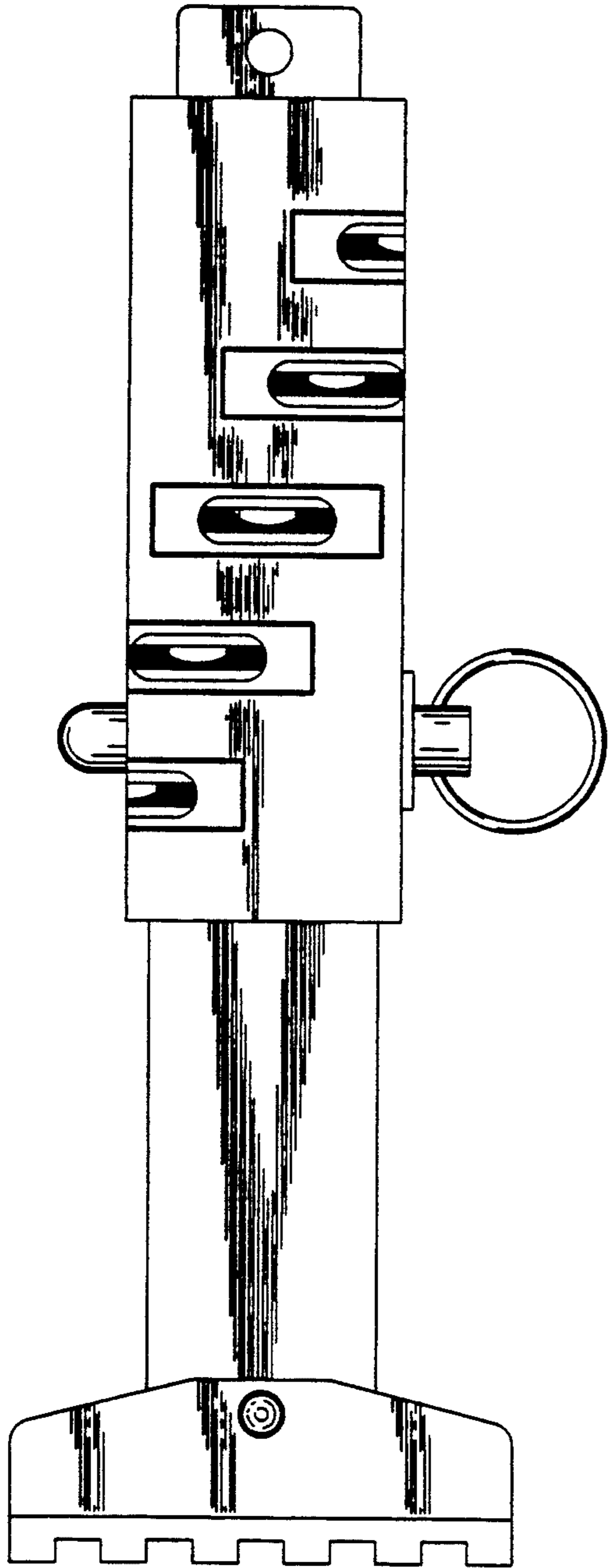


FIG. 2

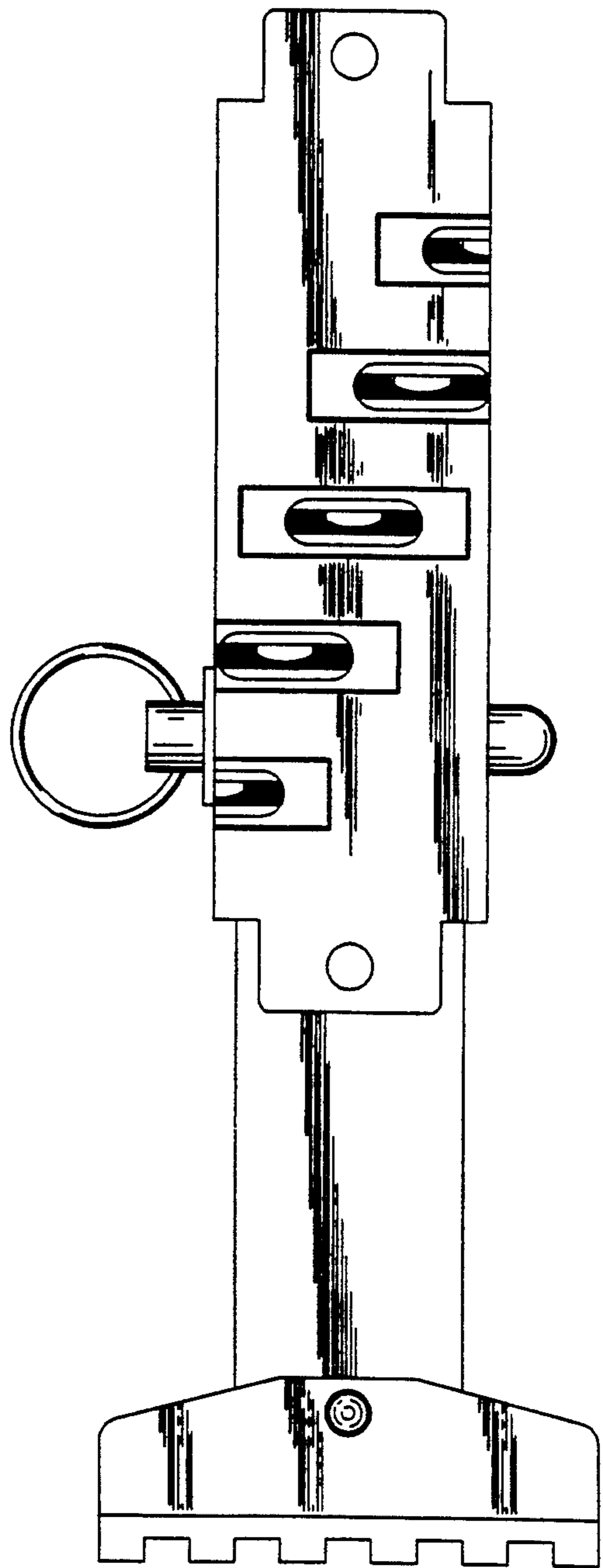


FIG. 3

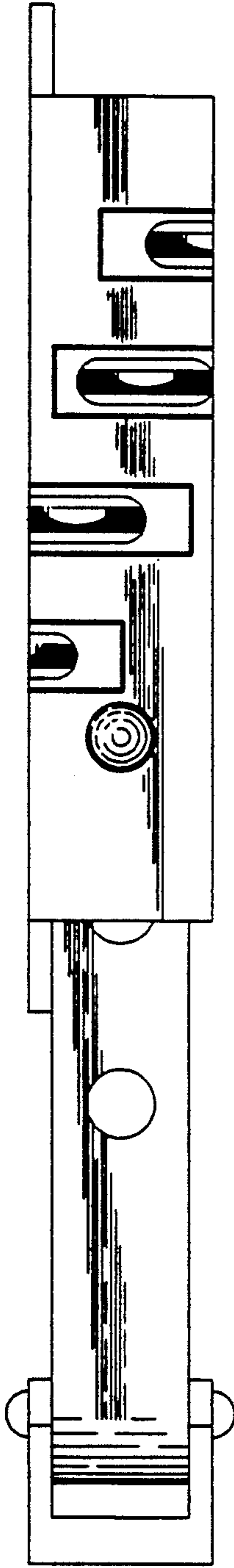
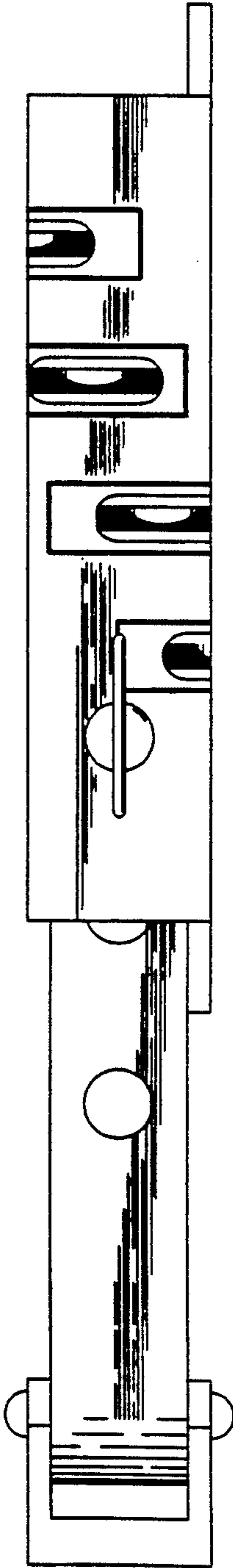
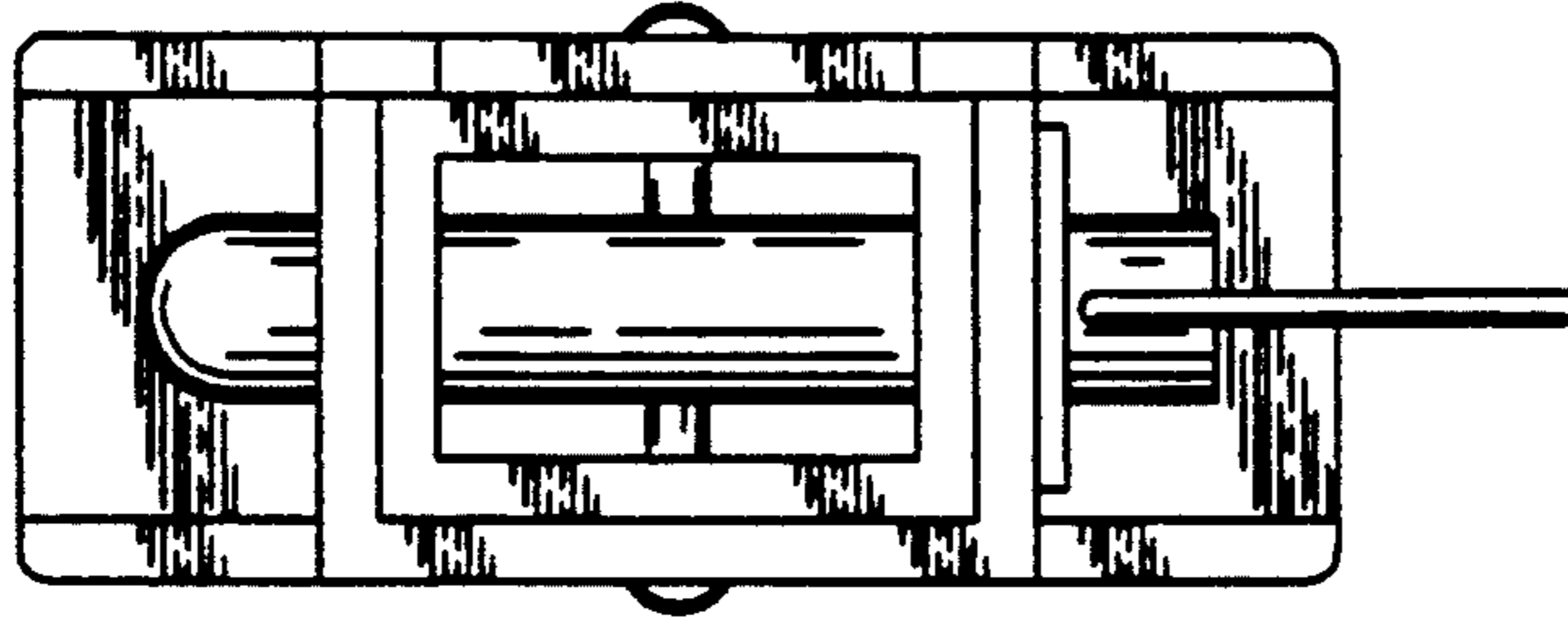


FIG. 4



*FIG. 5*



*FIG. 6*

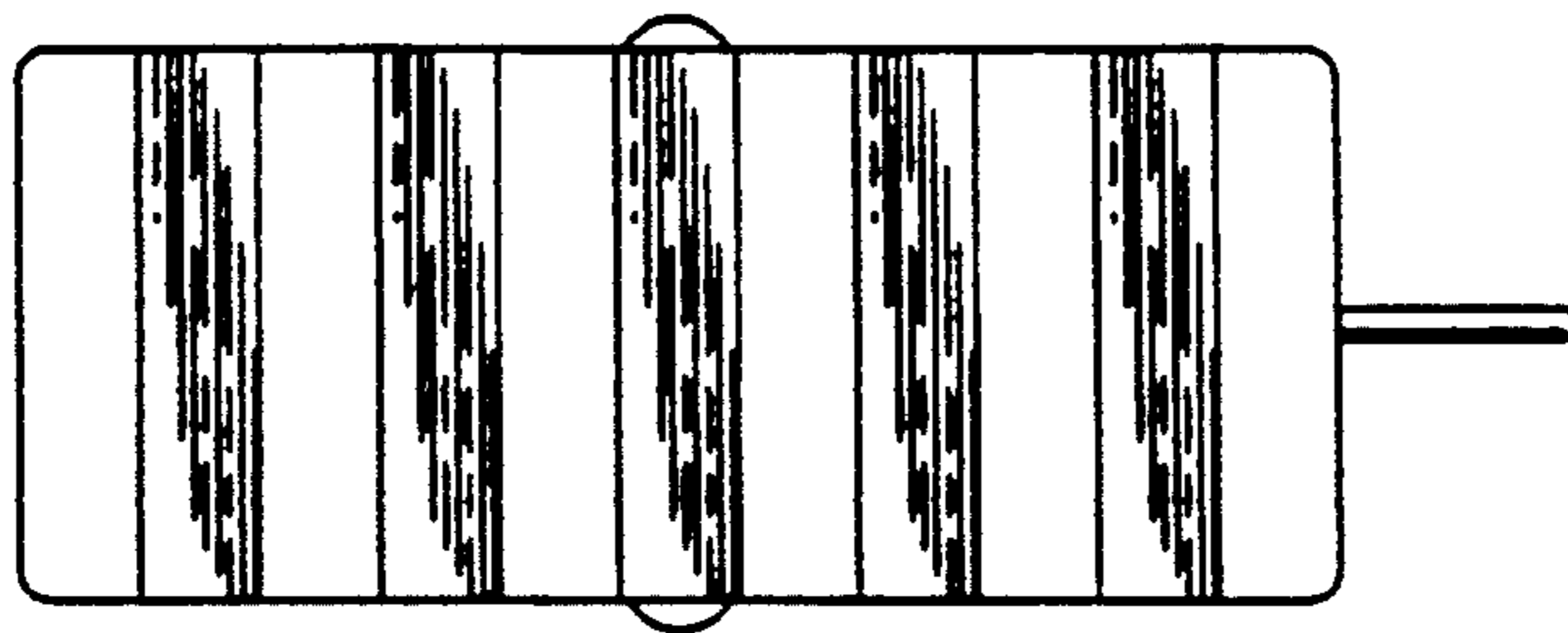


FIG. 7

