



US00D341661S

United States Patent [19] Runerfeldt

[11] Patent Number: **Des. 341,661**

[45] Date of Patent: **** Nov. 23, 1993**

[54] **BACK RESTRAINT**

[75] Inventor: **Dan Runerfeldt**, Kristianstad, Sweden

[73] Assignee: **AB Germa**, Kristianstad, Sweden

[**] Term: **14 Years**

[21] Appl. No.: **558,845**

[22] Filed: **Jul. 26, 1990**

[30] **Foreign Application Priority Data**

Jan. 26, 1990 [SE] Sweden 90-0156

[52] U.S. Cl. **D24/190**

[58] Field of Search **D24/190, 191; 128/874, 128/876, 871, 878, 882, 892**

[56] **References Cited**

U.S. PATENT DOCUMENTS

D. 275,230	8/1984	Hubbard et al.	D24/190
3,265,065	8/1966	Jillson	128/874
4,550,724	11/1985	Berrehaul	128/874

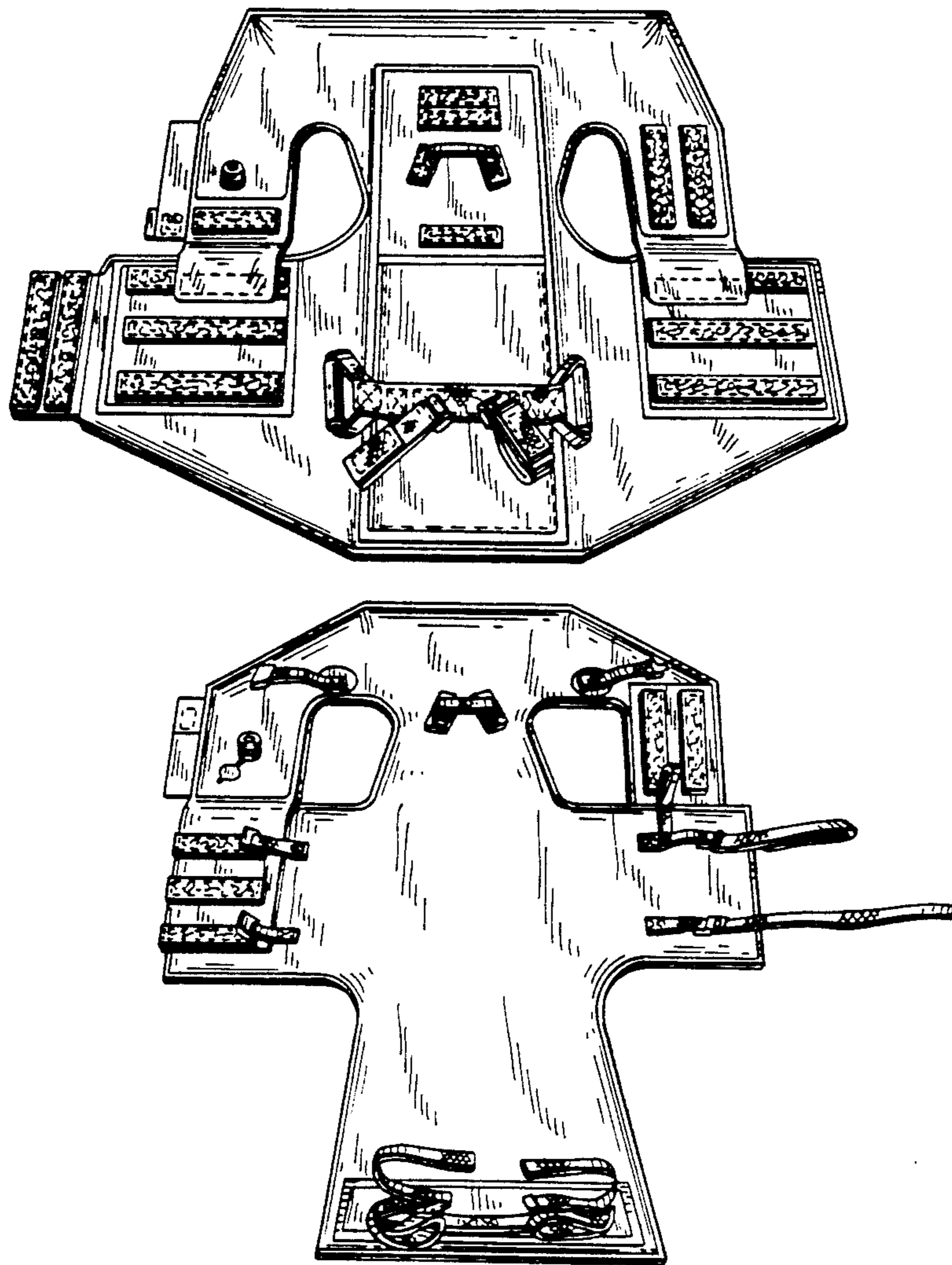
*Primary Examiner—Stella Reid
Attorney, Agent, or Firm—Ladas & Parry*

[57] **CLAIM**

The ornamental design for a back restraint, as shown and described.

DESCRIPTION

FIG. 1 is a front elevational view of a back restraint, showing my new design;
 FIG. 2 is a rear elevational view thereof;
 FIG. 3 is a front perspective view thereof;
 FIG. 4 is a top plan view thereof;
 FIG. 5 is a left side elevational view thereof;
 FIG. 6 is a right side elevational view thereof;
 FIG. 7 is a front elevational view of a second embodiment of the back restraint;
 FIG. 8 is a rear elevational view thereof;
 FIG. 9 is a top plan view thereof;
 FIG. 10 is a left side elevational view thereof;
 FIG. 11 is a right side elevational view thereof; and,
 FIG. 12 is a front perspective view thereof.



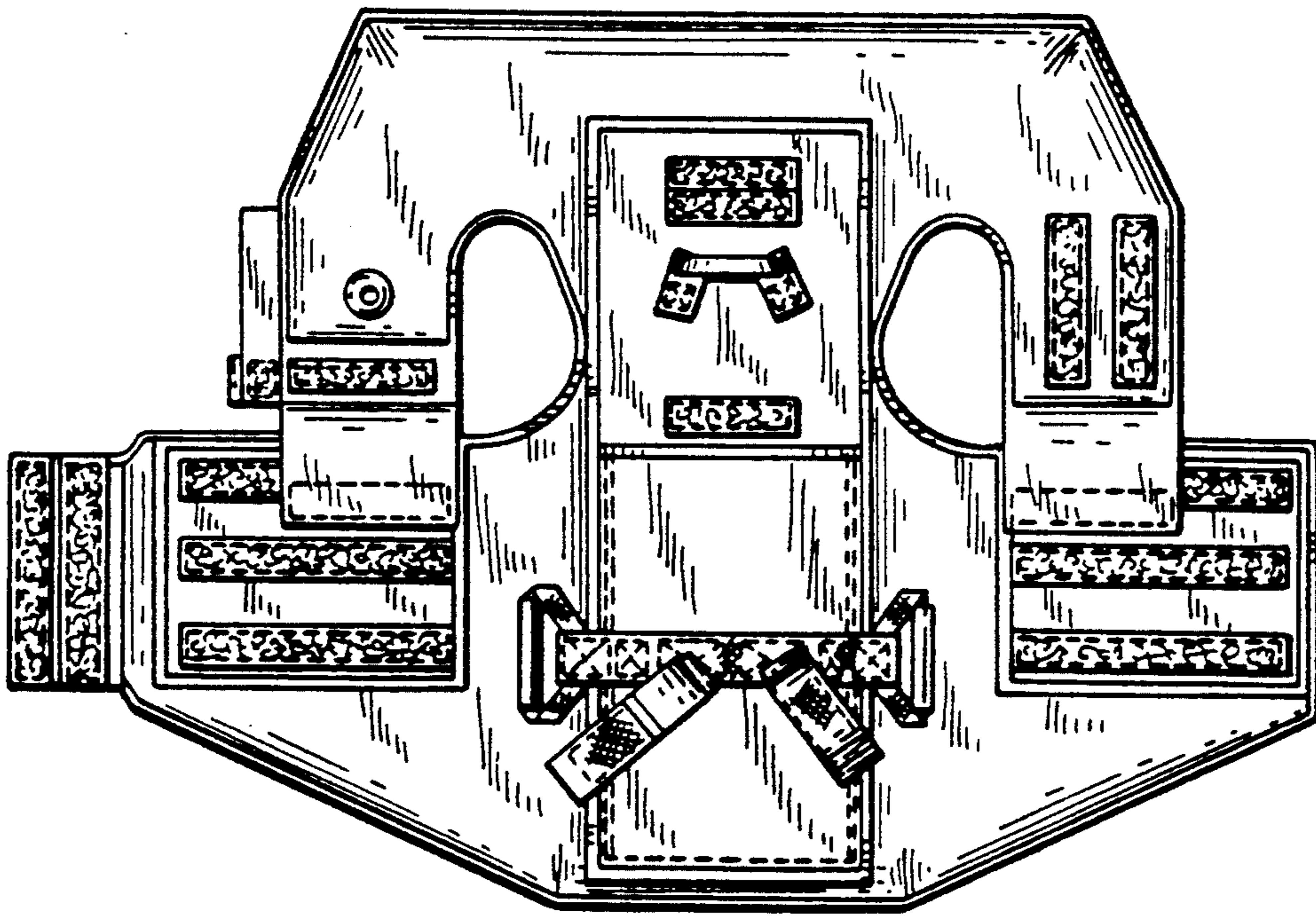


FIG. 1

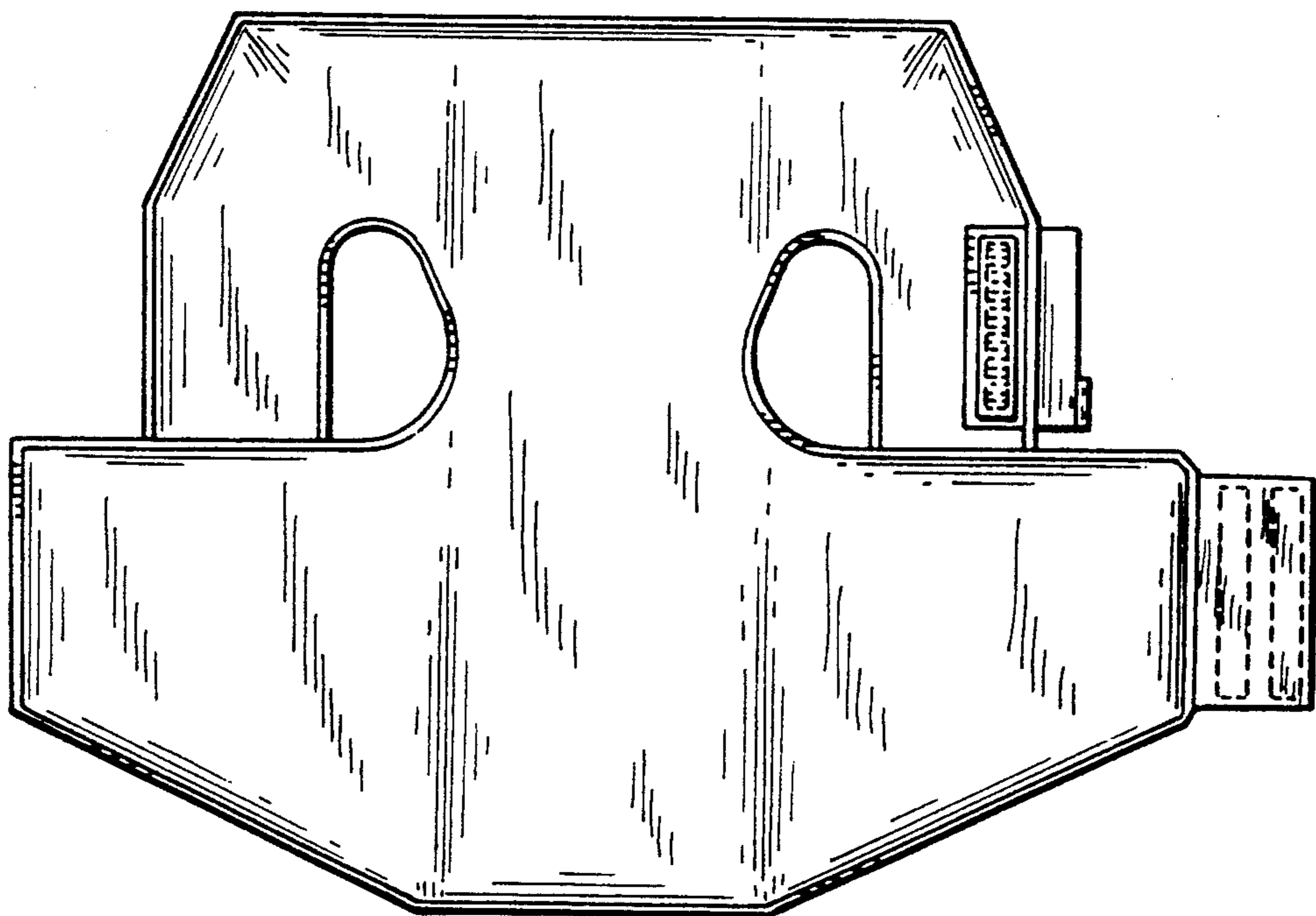


FIG. 2

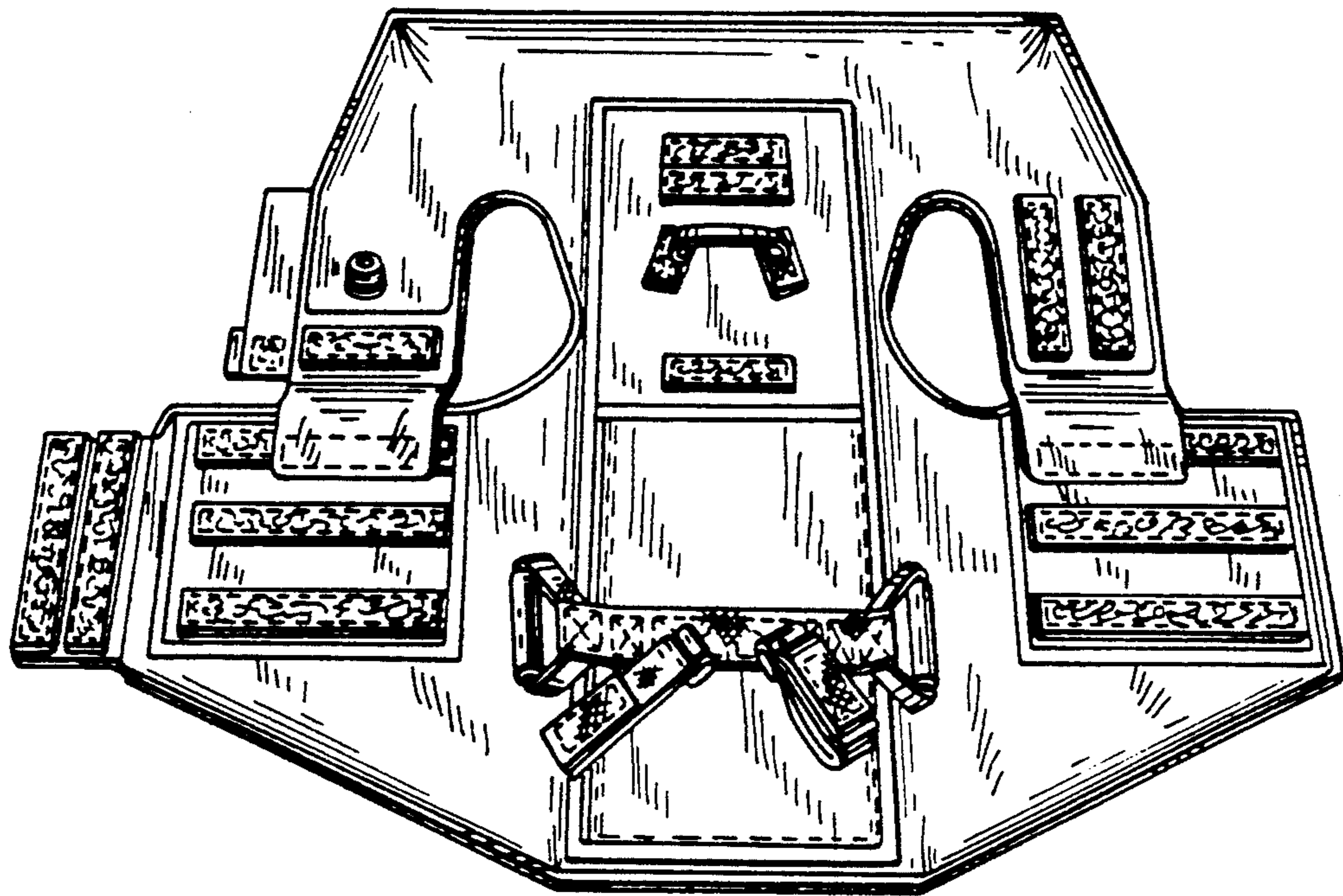


FIG. 3



FIG. 4

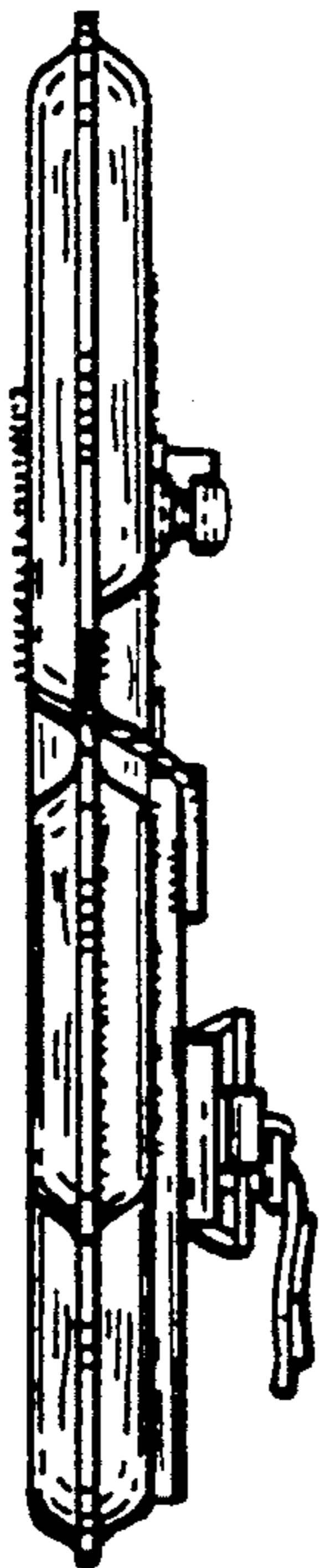


FIG. 5

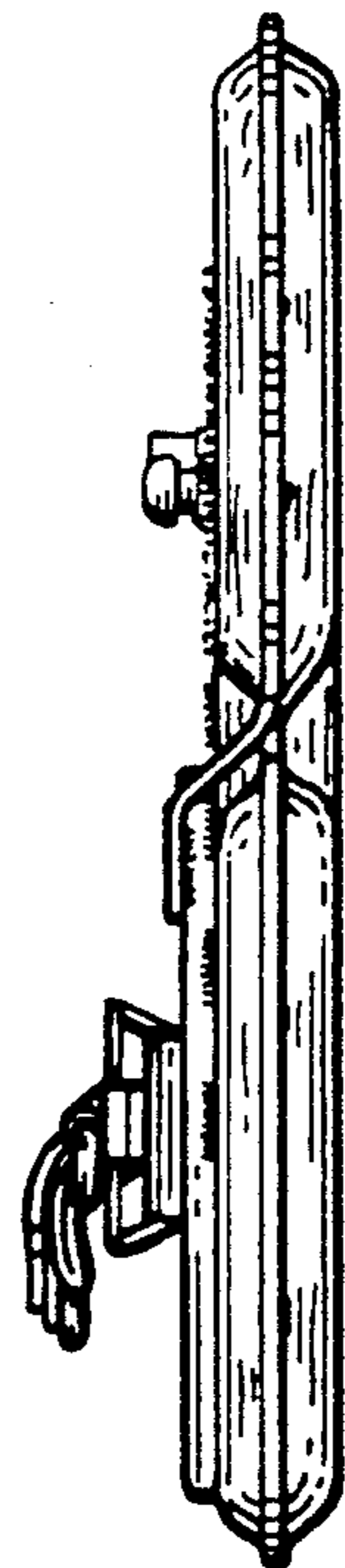


FIG 6

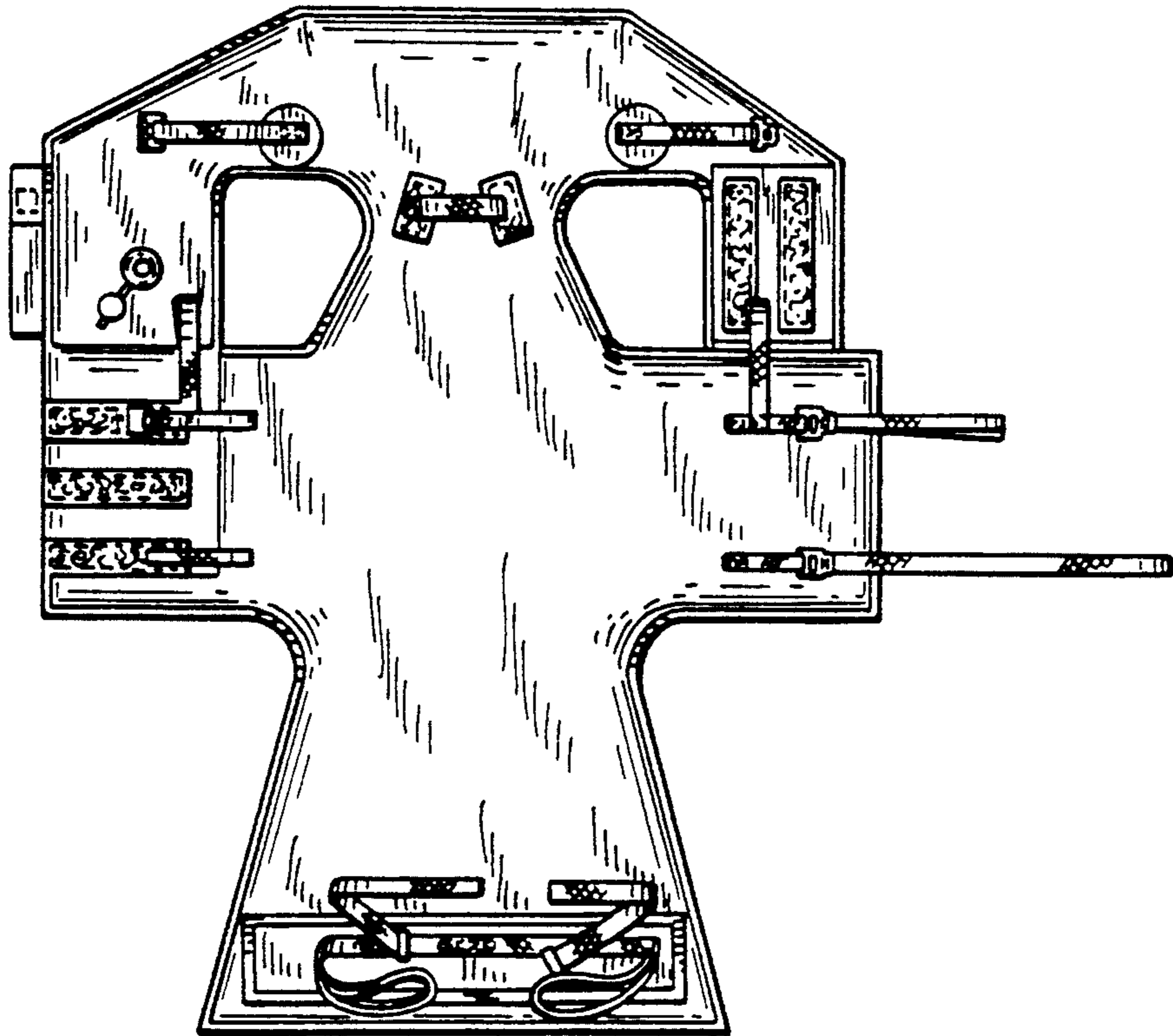


FIG. 7

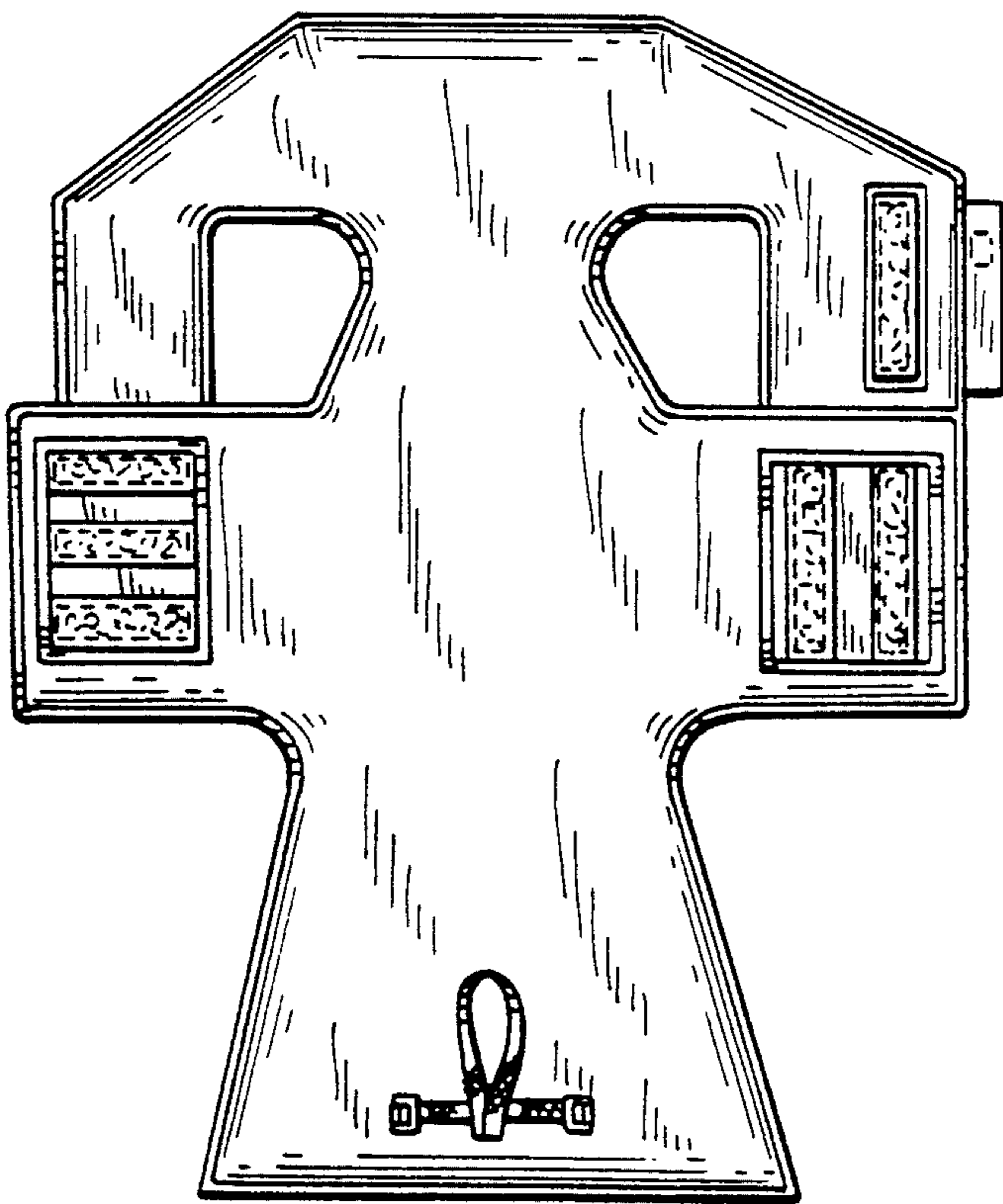


FIG. 8

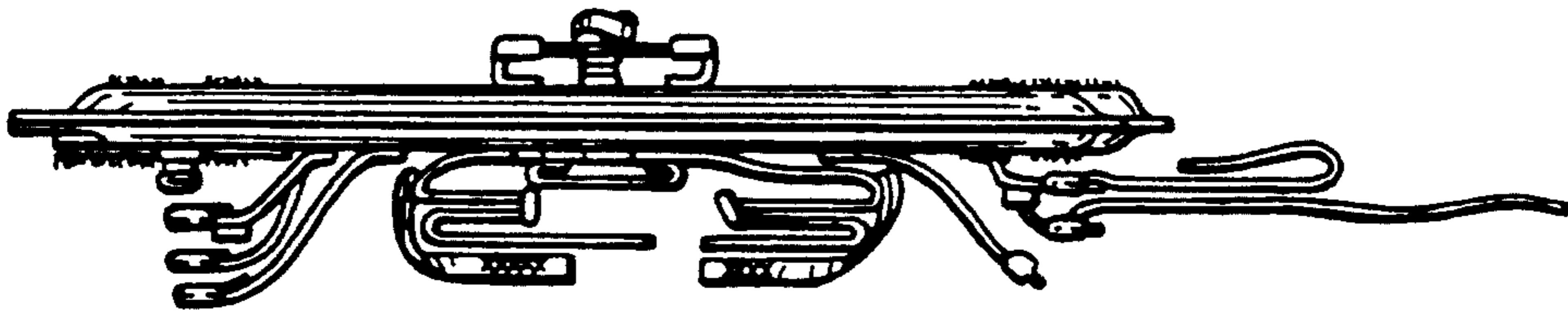


FIG. 9

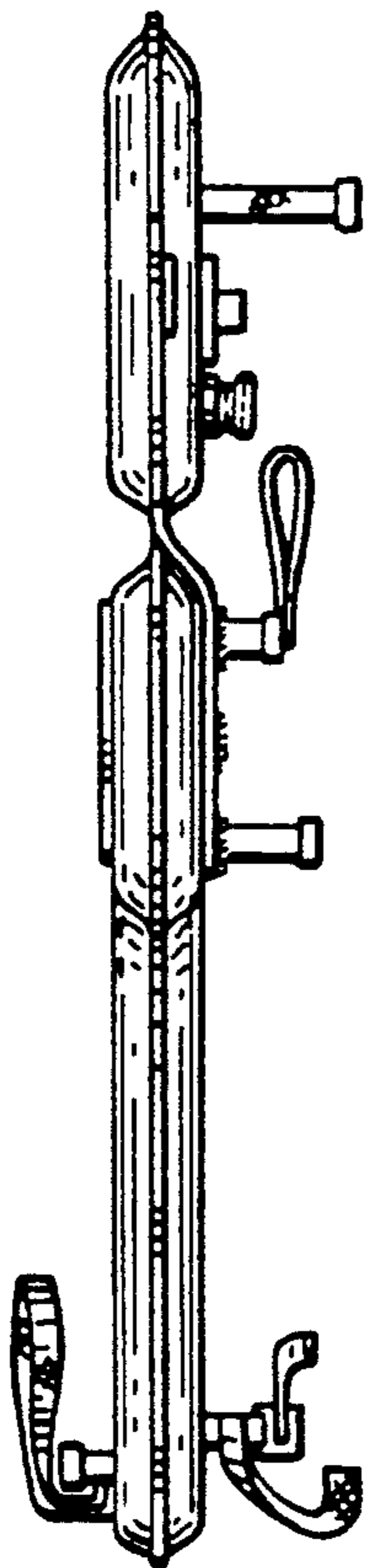


FIG. 10

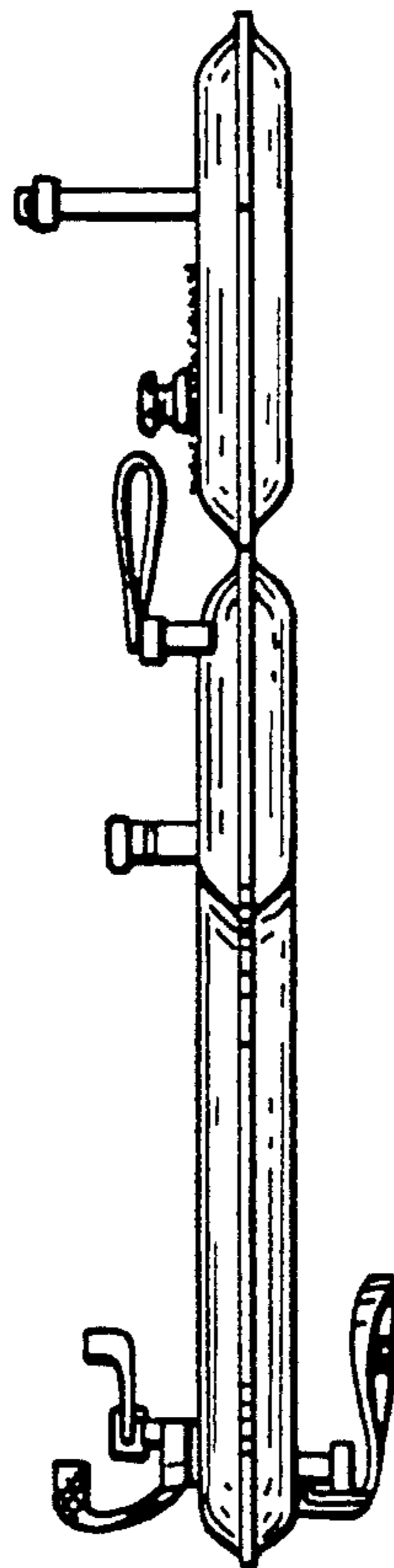


FIG. 11

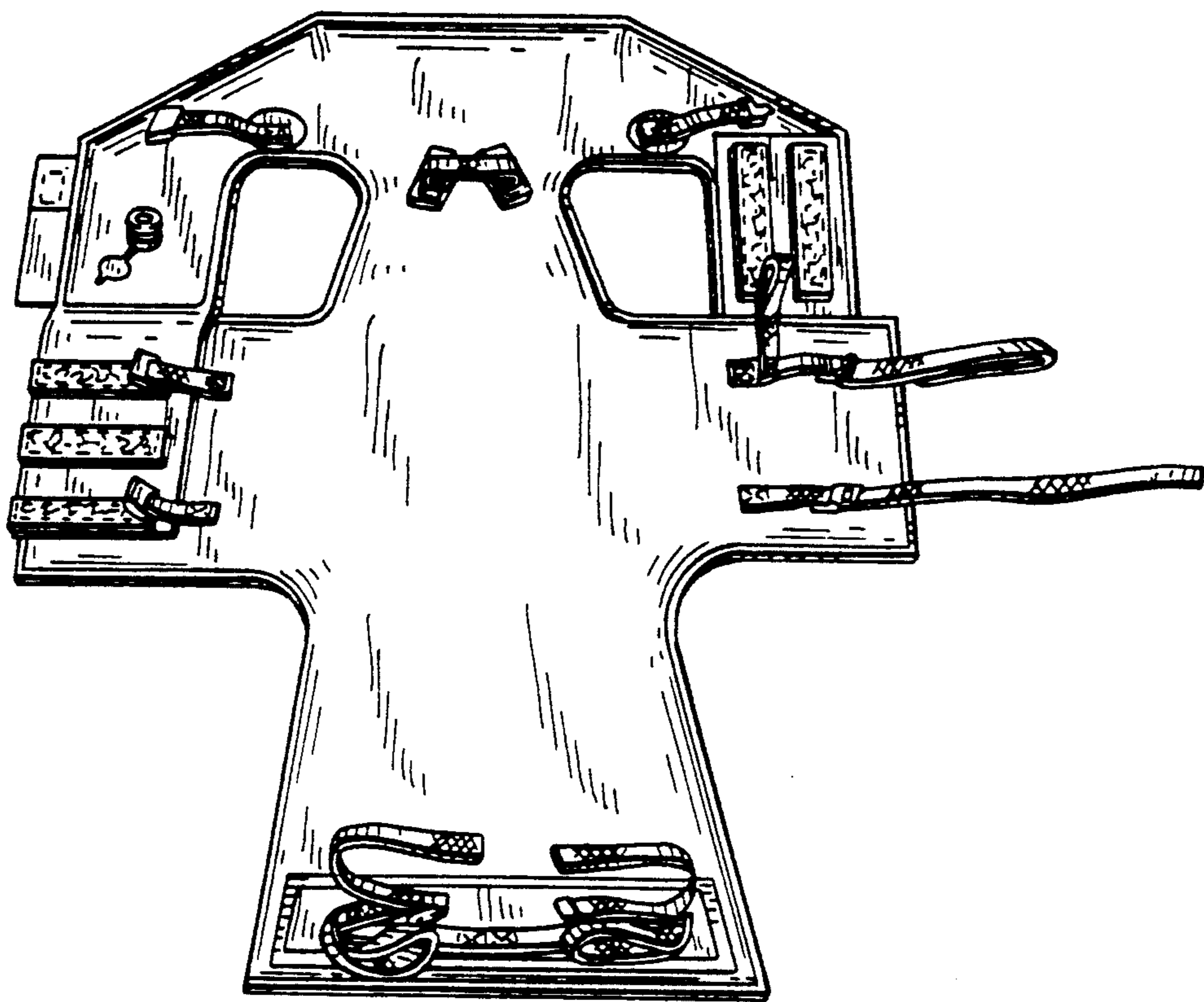


FIG. 12