



US00D341660S

United States Patent [19] Blaise

[11] Patent Number: **Des. 341,660**

[45] Date of Patent: **** Nov. 23, 1993**

[54] ANAESTHESIA CARRIAGE

[56]

References Cited

U.S. PATENT DOCUMENTS

[76] Inventor: **Gilbert Blaise**, 539, Stuart Street,
Outremont, Quebec, Canada, H2V
3H1

D. 263,995	4/1982	Steele	D24/185
D. 298,893	12/1988	Schwartz	D24/185 X
D. 303,191	9/1989	Schwartz	D24/185
D. 304,075	10/1989	Welch	D24/185
D. 325,482	4/1992	Schwartz	D24/185 X

[**] Term: **14 Years**

Primary Examiner—Stella Reid

[21] Appl. No.: **676,223**

[57] **CLAIM**

The ornamental design for an anaesthesia carriage, as shown.

[22] Filed: **Mar. 27, 1991**

DESCRIPTION

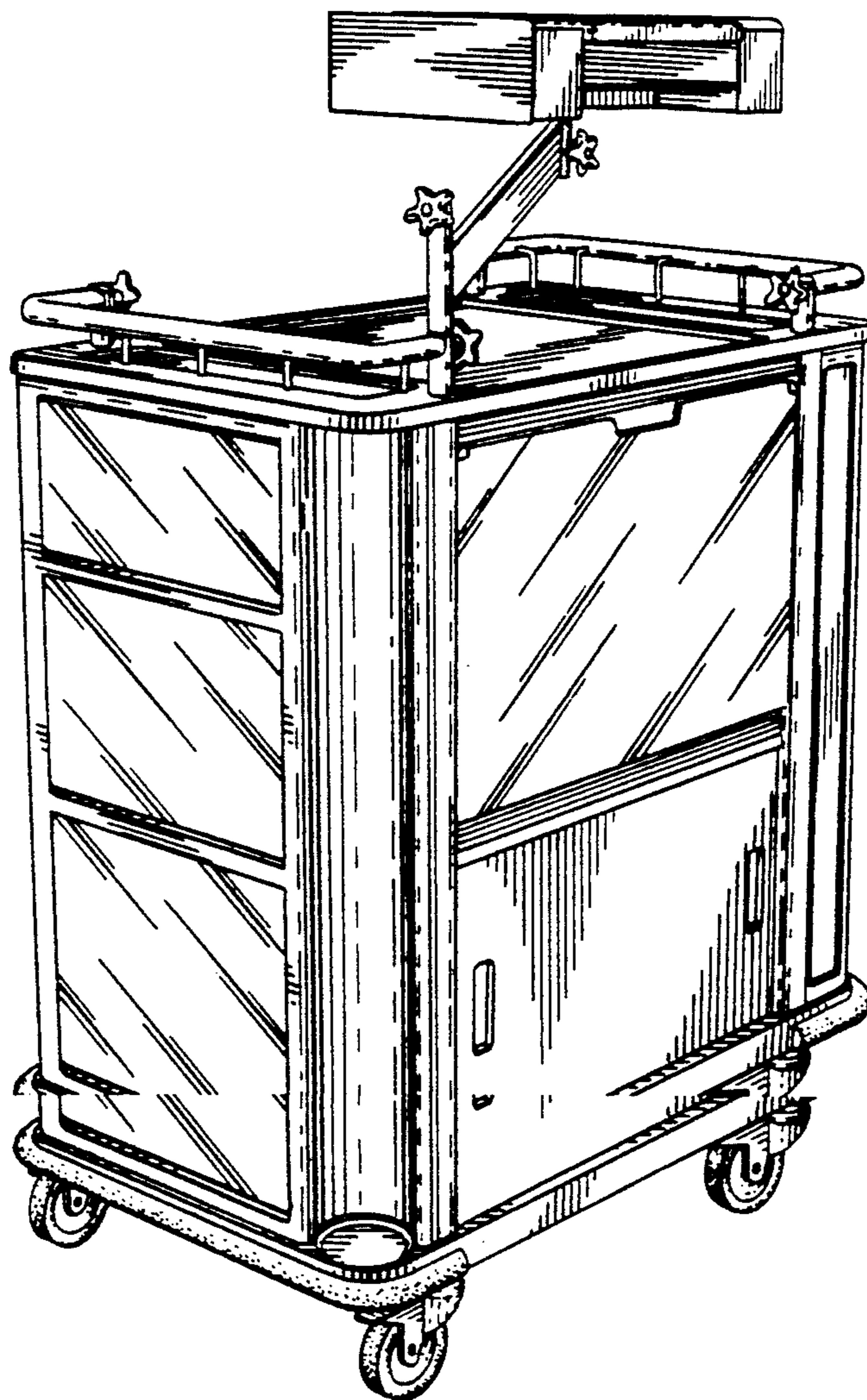
[30] **Foreign Application Priority Data**

Sep. 28, 1990 [CA] Canada 28-09-90-35

[52] U.S. Cl. **D24/185**

[58] Field of Search D24/185; D6/470, 479,
D6/446, 436; 312/209, 216, 218; 433/49, 77

FIG. 1 is a perspective view of an anaesthesia carriage showing my new design;
FIG. 2 is a front view;
FIG. 3 is a top view;
FIG. 4 is a rear view;
FIG. 5 is a side view; and,
FIG. 6 is a view of the other side.



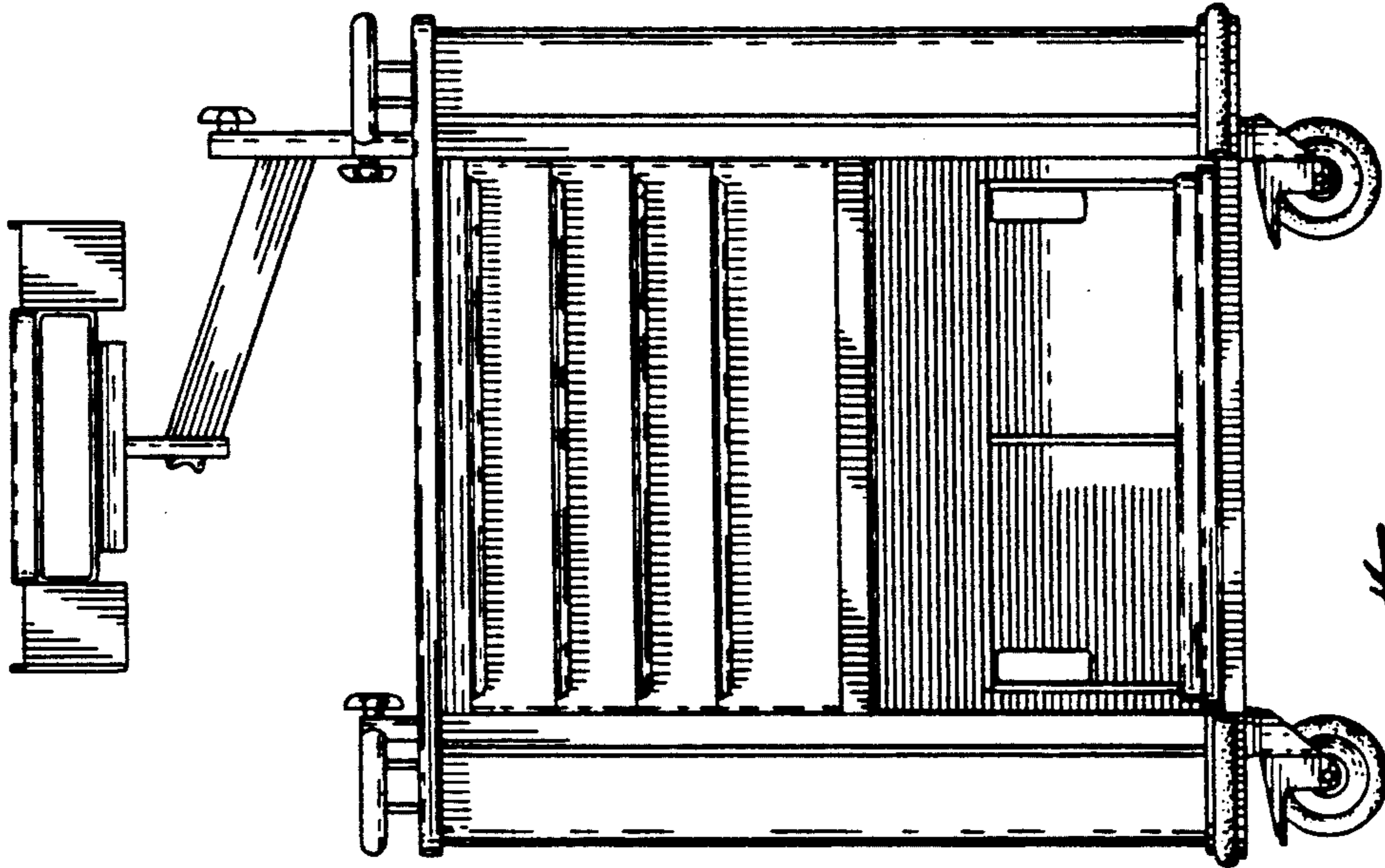


Fig. 2

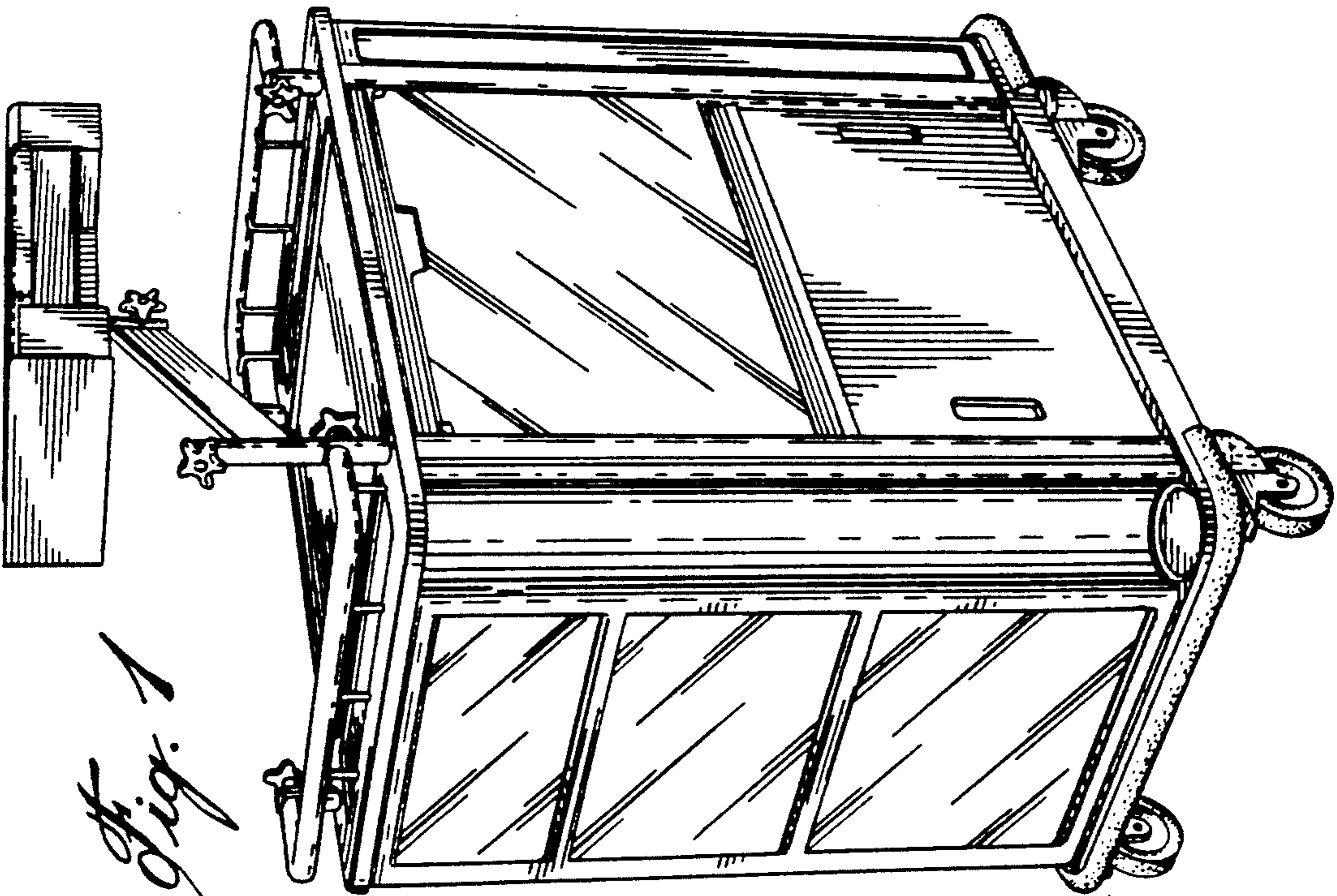


Fig. 1

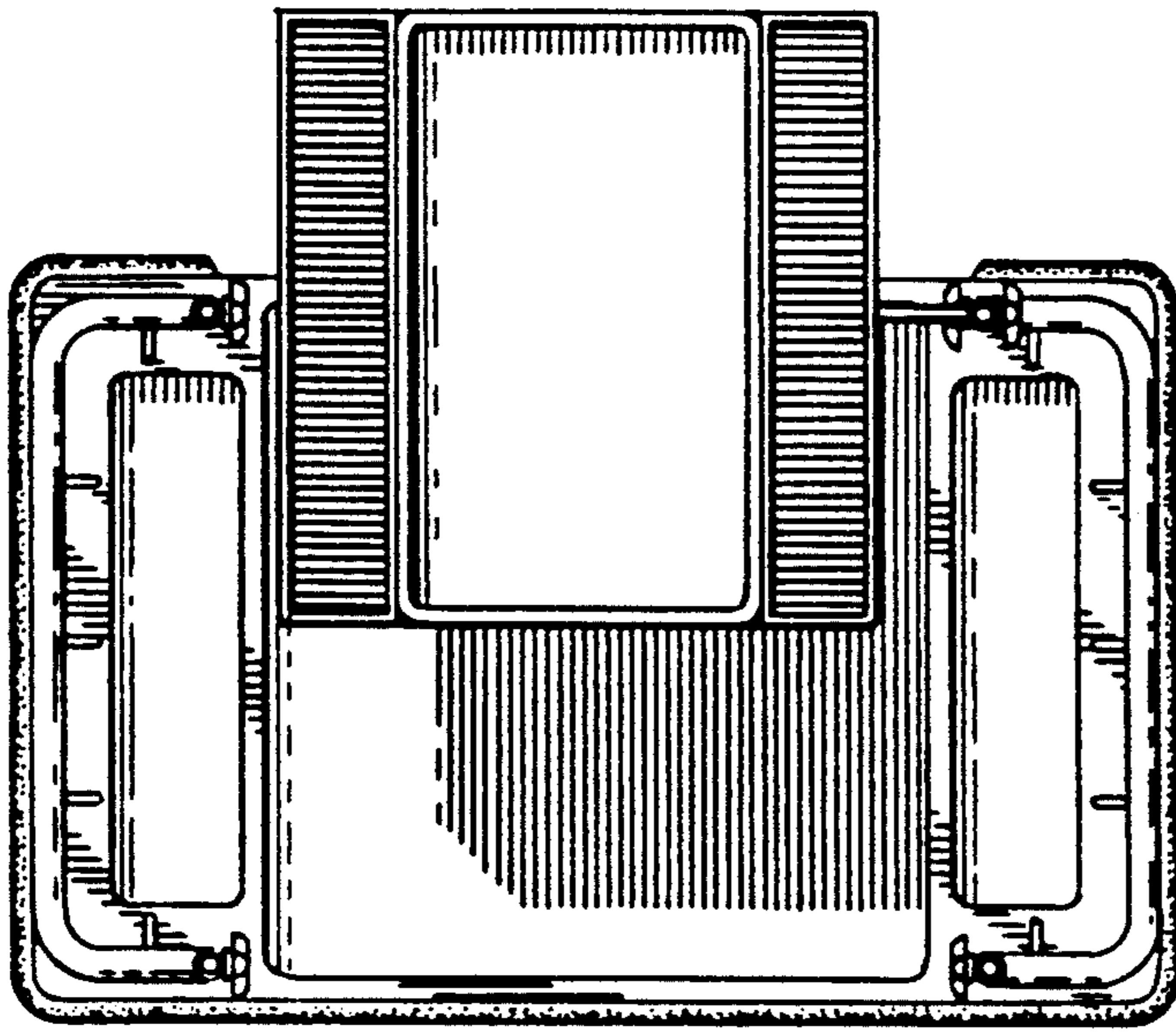


Fig. 3

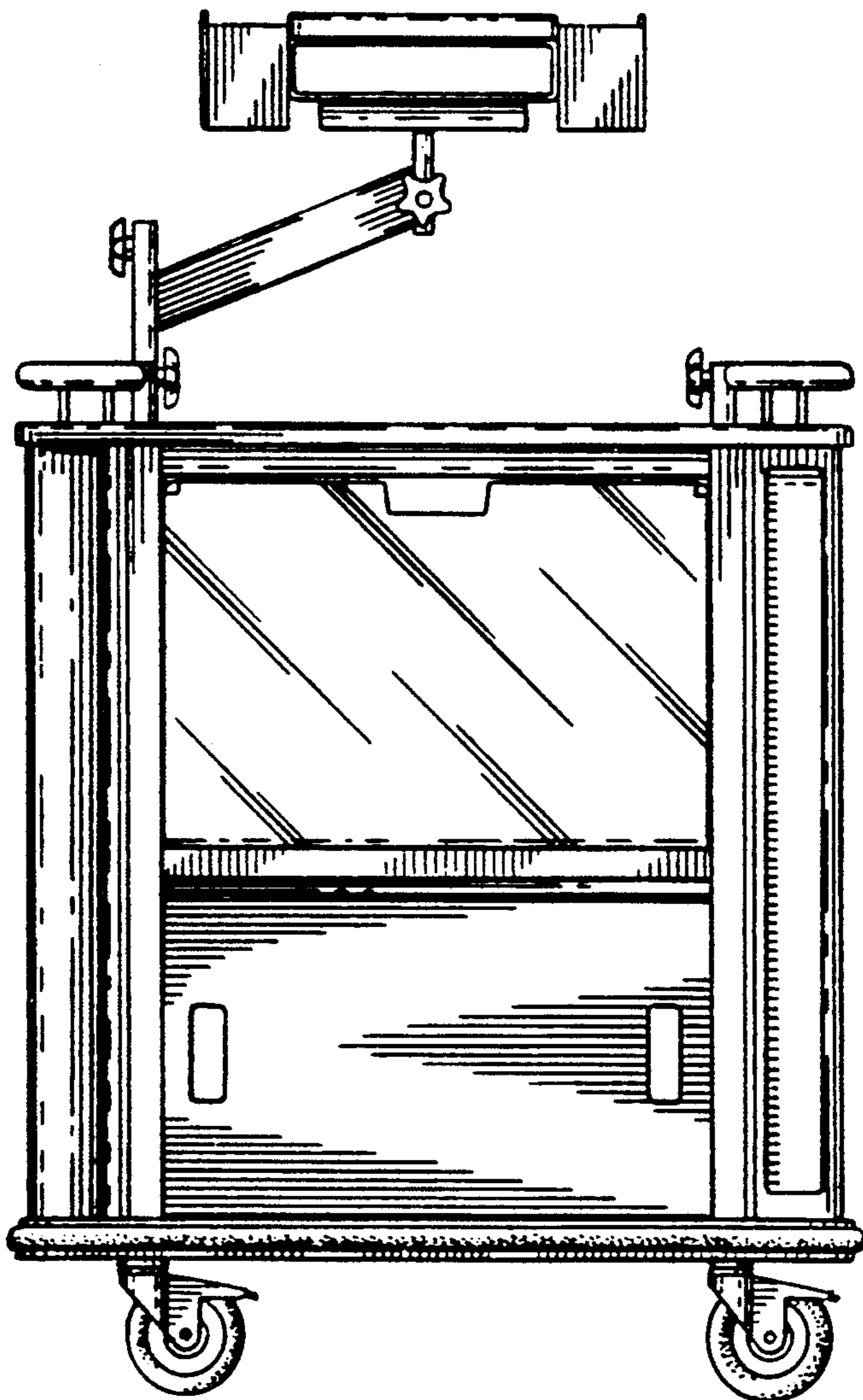


Fig. 4

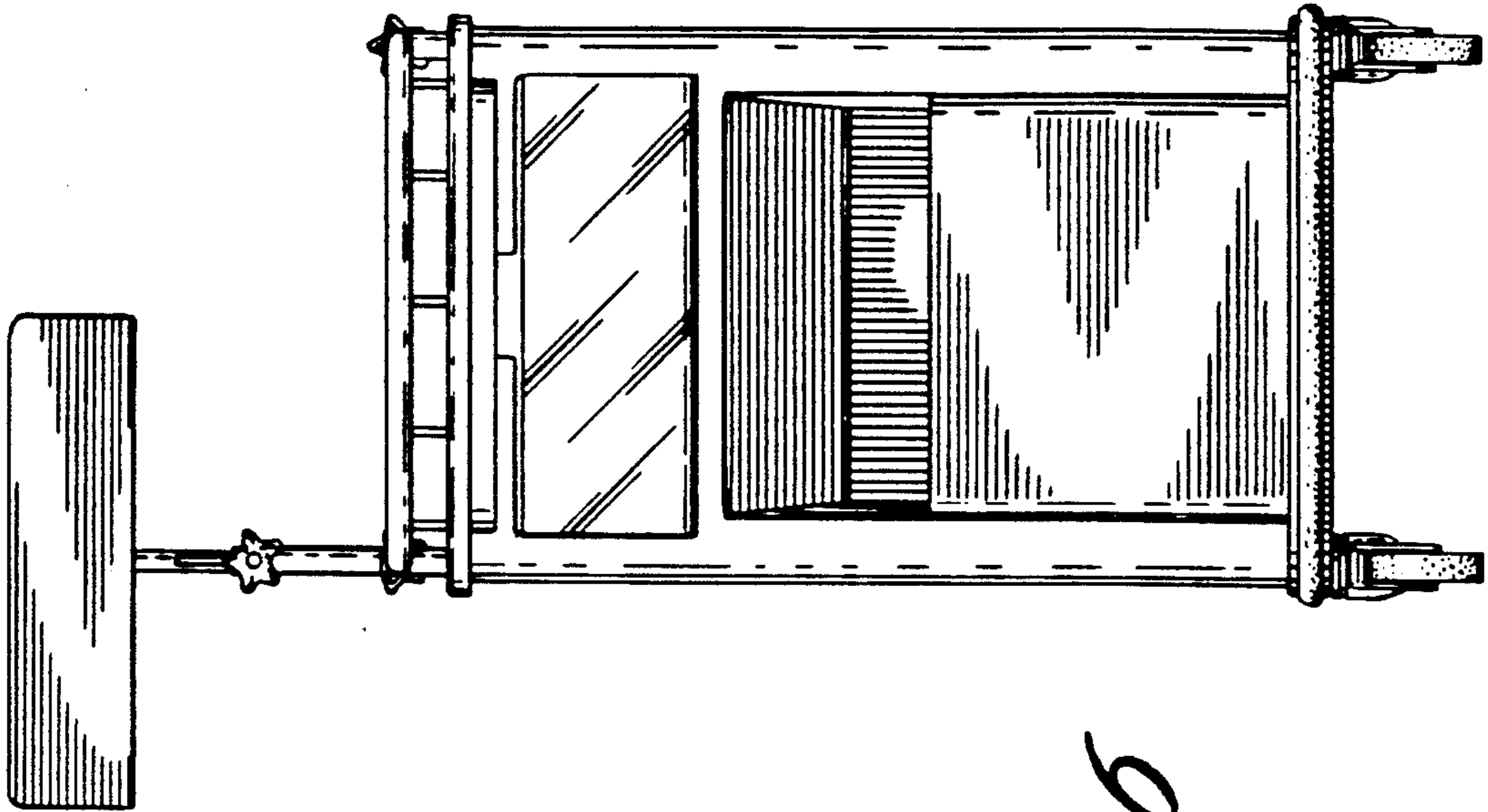


Fig. 5

Fig. 6

