



US00D341659S

United States Patent [19]

[11] Patent Number: **Des. 341,659**

Homayoun et al.

[45] Date of Patent: **** Nov. 23, 1993**

[54] **WRIST-WORN CARDIAC MONITOR**

4,938,228 7/1990 Righter et al. .
5,197,489 3/1993 Conlan 128/690 X

[75] Inventors: **Habib Homayoun, Aloha; Howard M. Meehan, Beaverton; Robert A. Bedient; Kenneth H. Pierce, both of Portland, all of Oreg.**

FOREIGN PATENT DOCUMENTS

2920965 11/1979 Fed. Rep. of Germany 128/690

[73] Assignee: **Instromedix, Inc., Hillsboro, Oreg.**

OTHER PUBLICATIONS

[**] Term: **14 Years**

“Inventors of Heart Monitor Tick Toward Prosperity . . .” (Oregon Business Journal), Brock, Sep. 17, 1990.

[21] Appl. No.: **820,056**

Primary Examiner—Stella Reid

[22] Filed: **Jan. 9, 1992**

Attorney, Agent, or Firm—Kolisich Hartwell Dickinson McCormack & Heuser

[52] U.S. Cl. **D24/167**

[58] Field of Search D24/167, 165, 186;
128/690, 689, 706, 710, 725

[57] **CLAIM**

The ornamental design for a wrist-worn cardiac monitor, as shown and described.

[56] **References Cited**

DESCRIPTION

U.S. PATENT DOCUMENTS

D. 269,546	6/1983	Rogers et al.	D24/167
D. 287,403	12/1986	Kiiski et al.	D24/167
3,972,320	8/1976	Kalman .	
4,108,166	8/1978	Schmid .	
4,256,117	3/1981	Perica et al. .	
4,295,472	10/1981	Adams	128/690
4,406,290	9/1983	Walbeoffe-Wilson et al.	128/690 X
4,409,983	10/1983	Albert .	
4,425,921	1/1984	Fujisaki et al. .	
4,799,491	1/1989	Eckerle .	
4,802,488	2/1989	Eckerle .	
4,928,690	5/1990	Heilman et al. .	

FIG. 1 is an isometric view, slightly enlarged relative to FIGS. 2 through 6, of a wrist-worn cardiac monitor showing our new design;
FIG. 2 is a right side elevational view, with a wrist band being shown in broken lines for illustrative purposes only;
FIG. 3 is a front elevational view, the rear elevation being a mirror image thereof, with a wrist band being shown in broken lines for illustrative purposes only;
FIG. 4 is a top plan view;
FIG. 5 is a left side elevational view; and,
FIG. 6 is a bottom plan view.

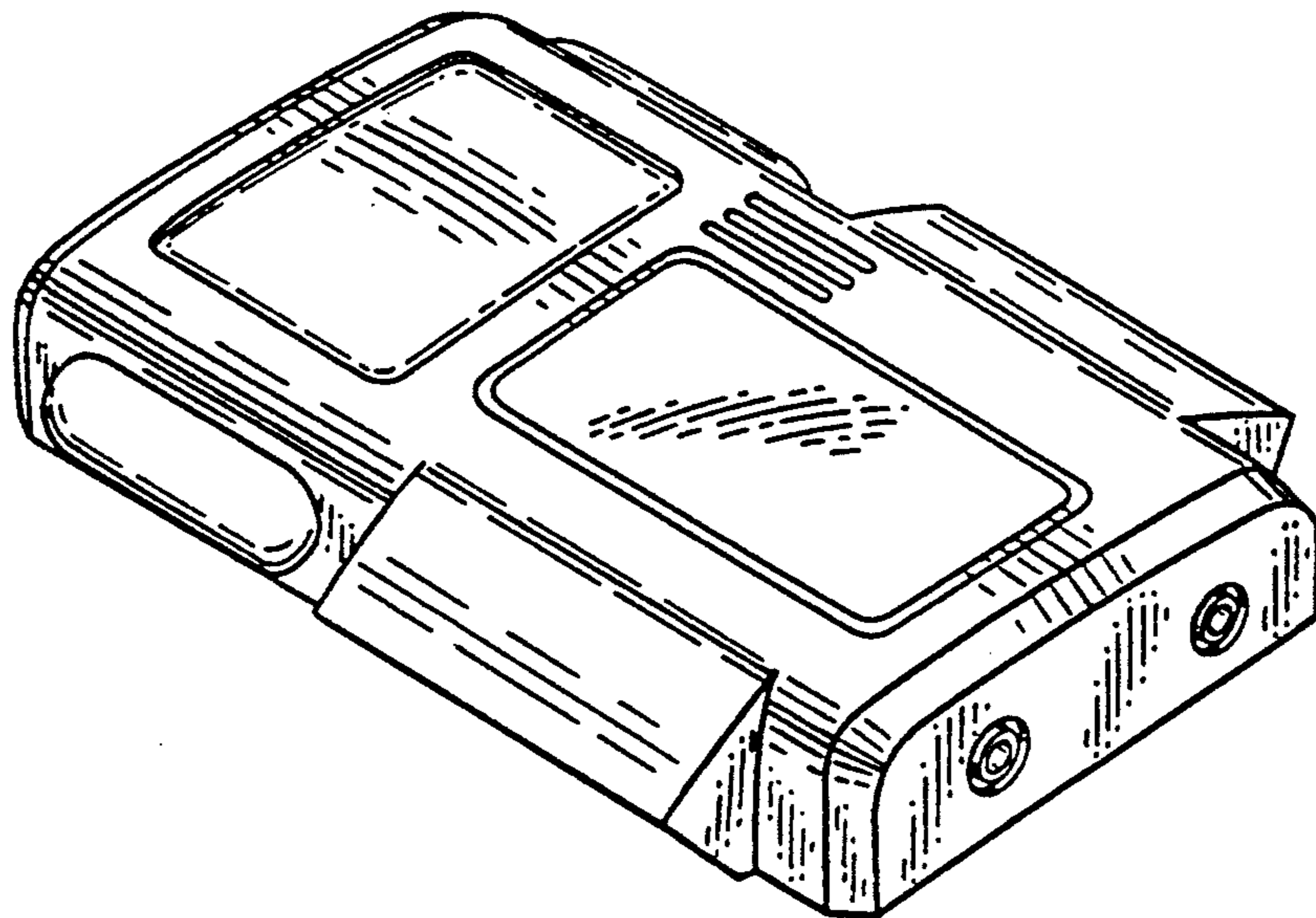


FIG. 1

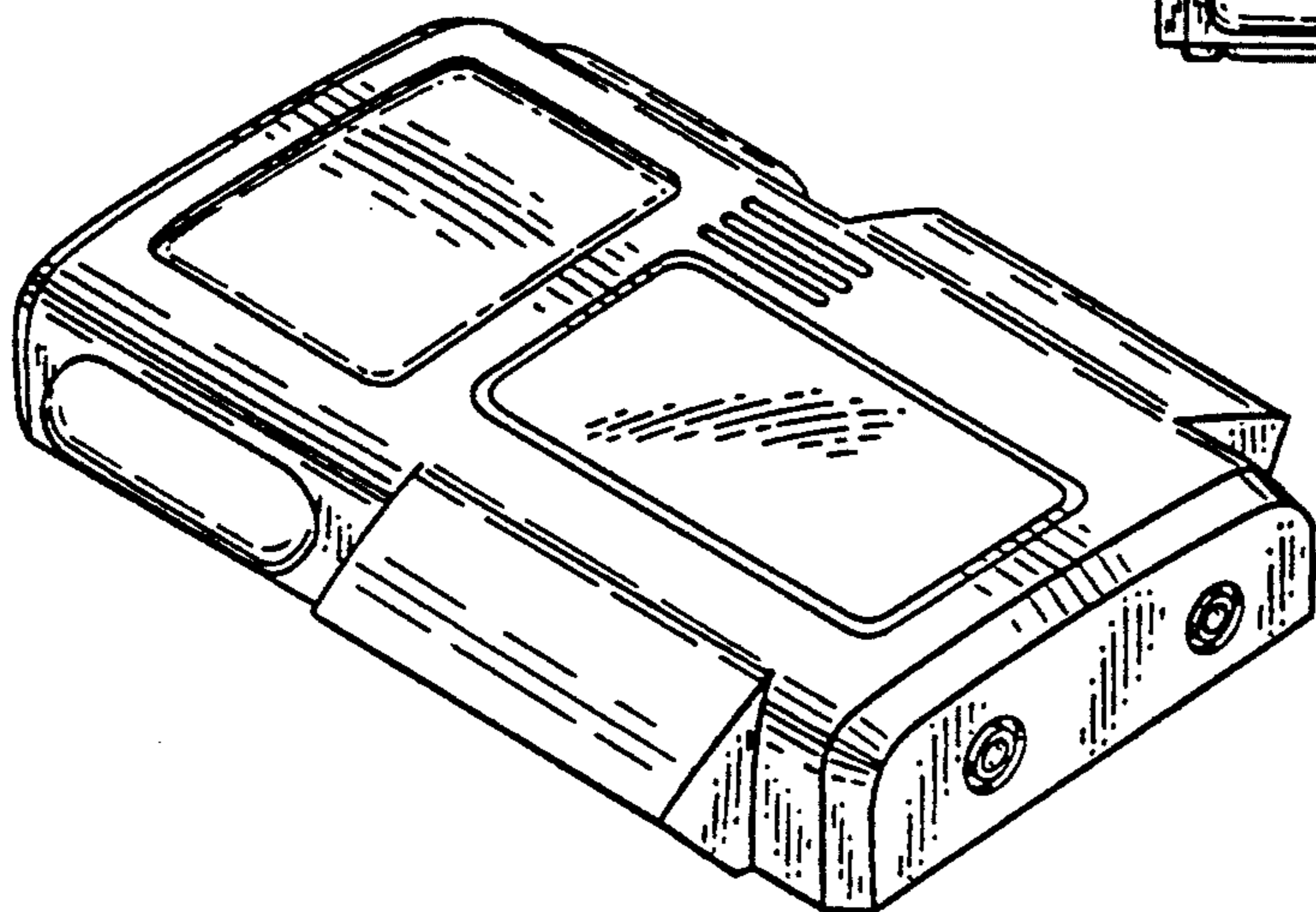


FIG. 3

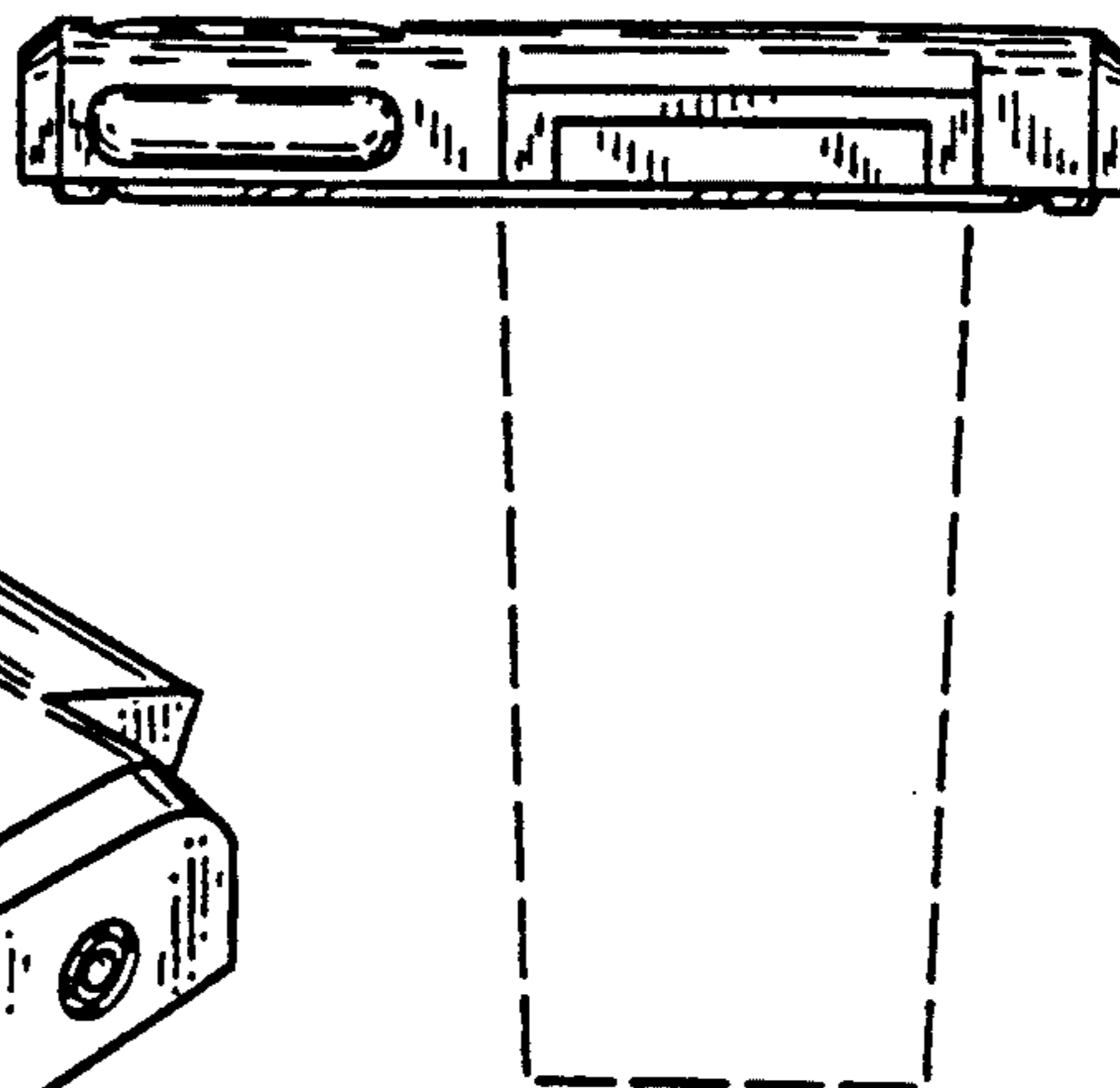


FIG. 2

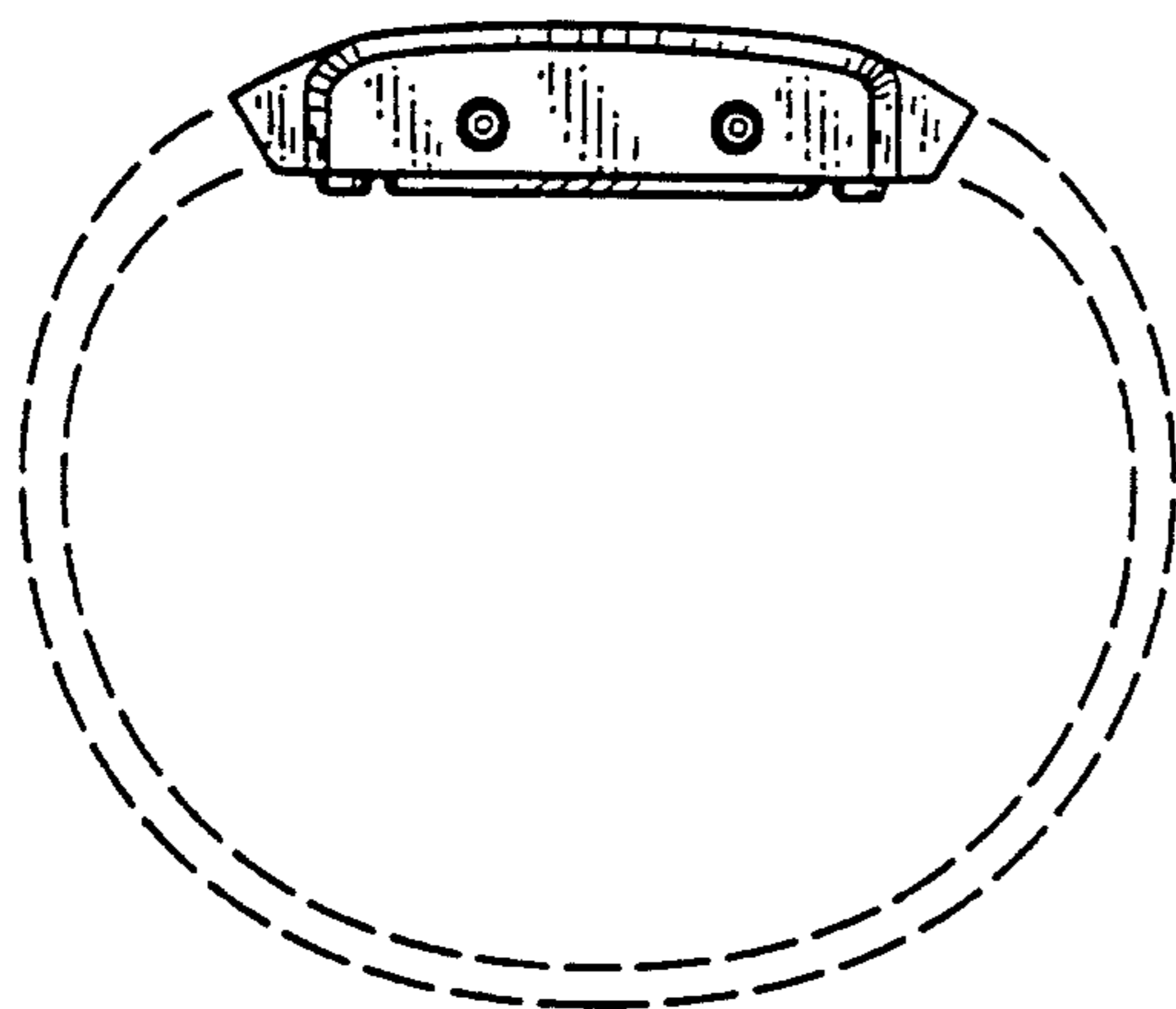


FIG. 4

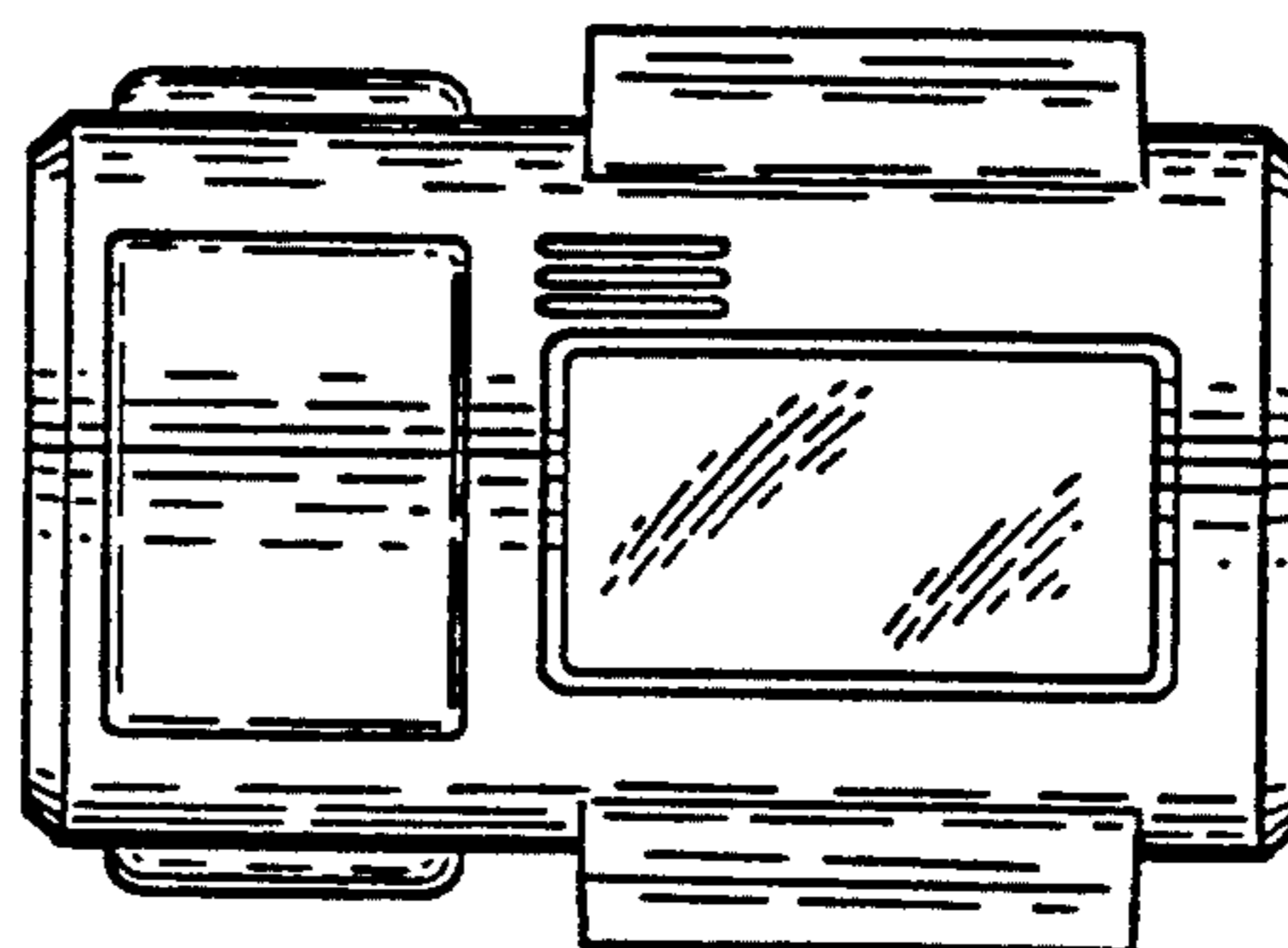


FIG. 6

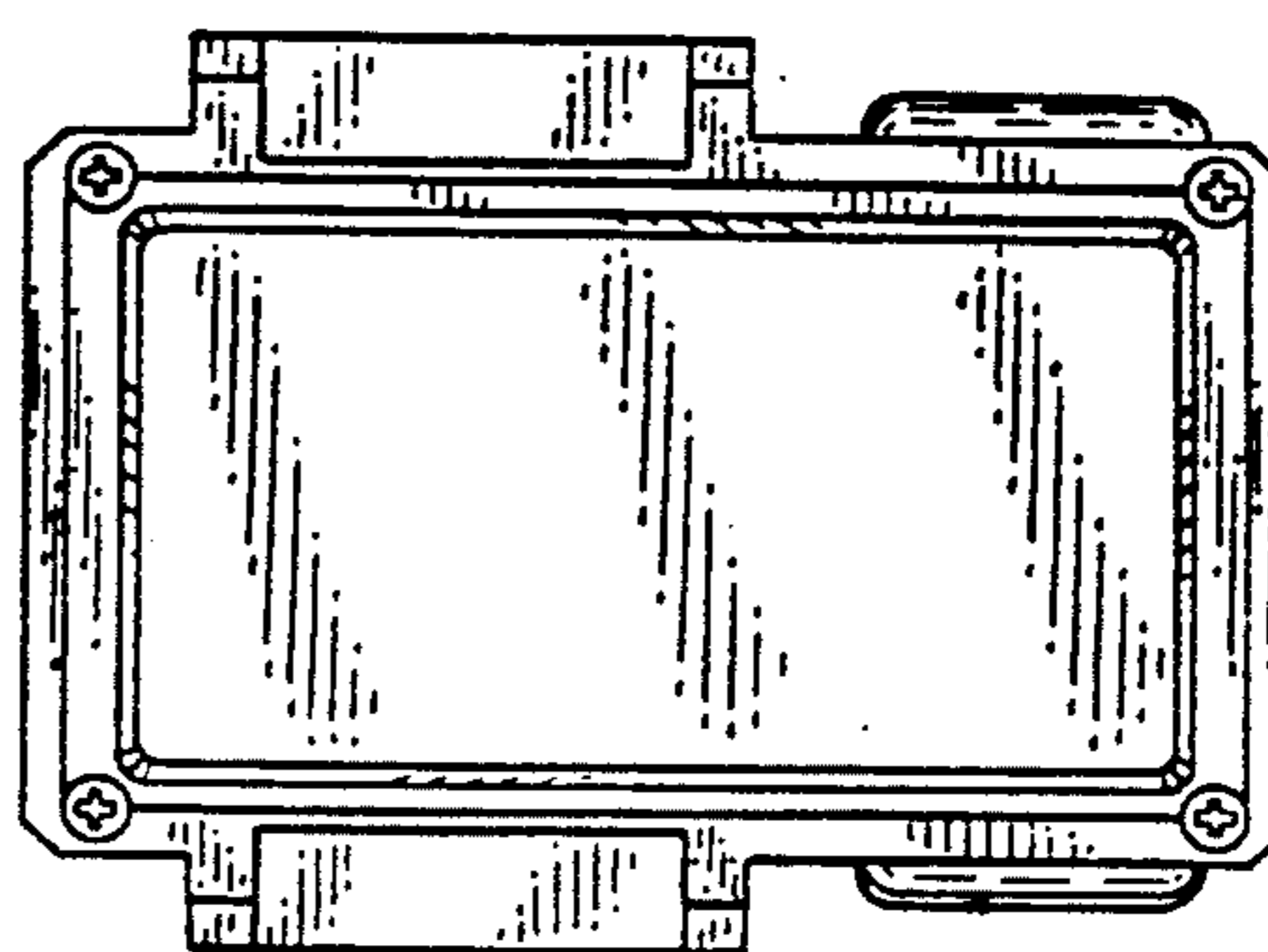


FIG. 5

