



US00D341657S

United States Patent [19]

[11] Patent Number: **Des. 341,657**

Sever

[45] Date of Patent: **** Nov. 23, 1993**

[54] **HOSPITAL GAS DELIVERY SYSTEM**

[75] Inventor: **Robert E. Sever, Florissant, Mo.**

[73] Assignee: **Essex Industries, Inc., St. Louis, Mo.**

[**] Term: **14 Years**

[21] Appl. No.: **778,695**

[22] Filed: **Oct. 17, 1991**

[52] U.S. Cl. **D24/164**

[58] Field of Search **D24/164; 604/4, 6; 128/204.21, 204.18, 910**

[56] **References Cited**

U.S. PATENT DOCUMENTS

4,957,107	9/1990	Sipin	128/204.1
5,024,219	6/1991	Dietz	128/204.1
5,038,771	8/1991	Dietz	128/204.1

Primary Examiner—Stella Reid

Attorney, Agent, or Firm—Kalish & Gilster

[57] **CLAIM**

The ornamental design for a hospital gas delivery system, as shown and described.

DESCRIPTION

FIG. 1 is a front elevational view of a hospital gas delivery system, showing my new design;

FIG. 2 is a right side elevational view thereof;

FIG. 3 is a rear elevational view thereof;

FIG. 4 is a left side elevational view thereof;

FIG. 5 is a top plan view thereof;

FIG. 6 is a bottom plan view thereof;

FIG. 7 is a front elevational view of a second embodiment of the hospital gas delivery system showing my new design;

FIG. 8 is a right side elevational view thereof;

FIG. 9 is a rear elevational view thereof;

FIG. 10 is a left side elevational view thereof;

FIG. 11 is a top plan view thereof; and,

FIG. 12 is a bottom plan view thereof.

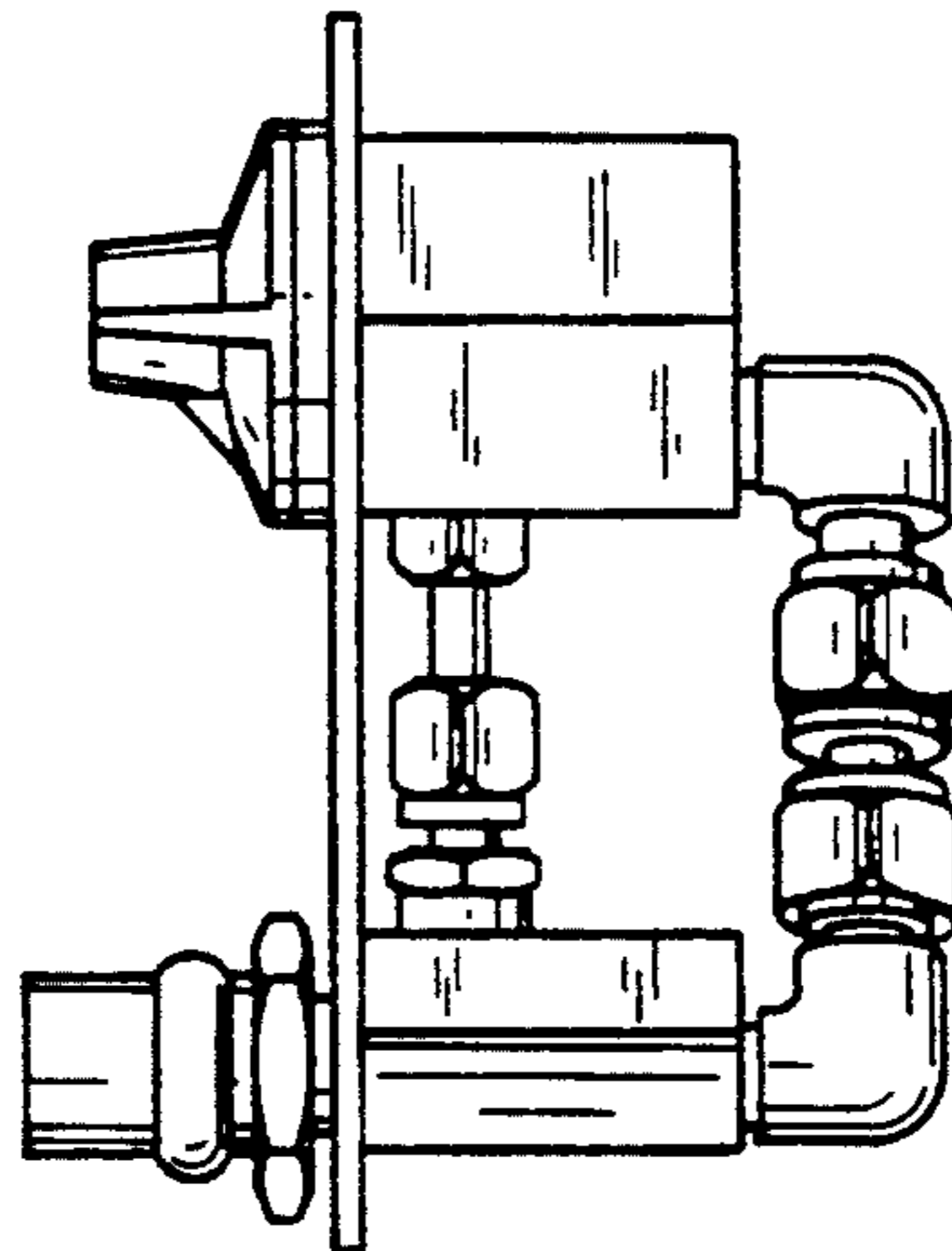
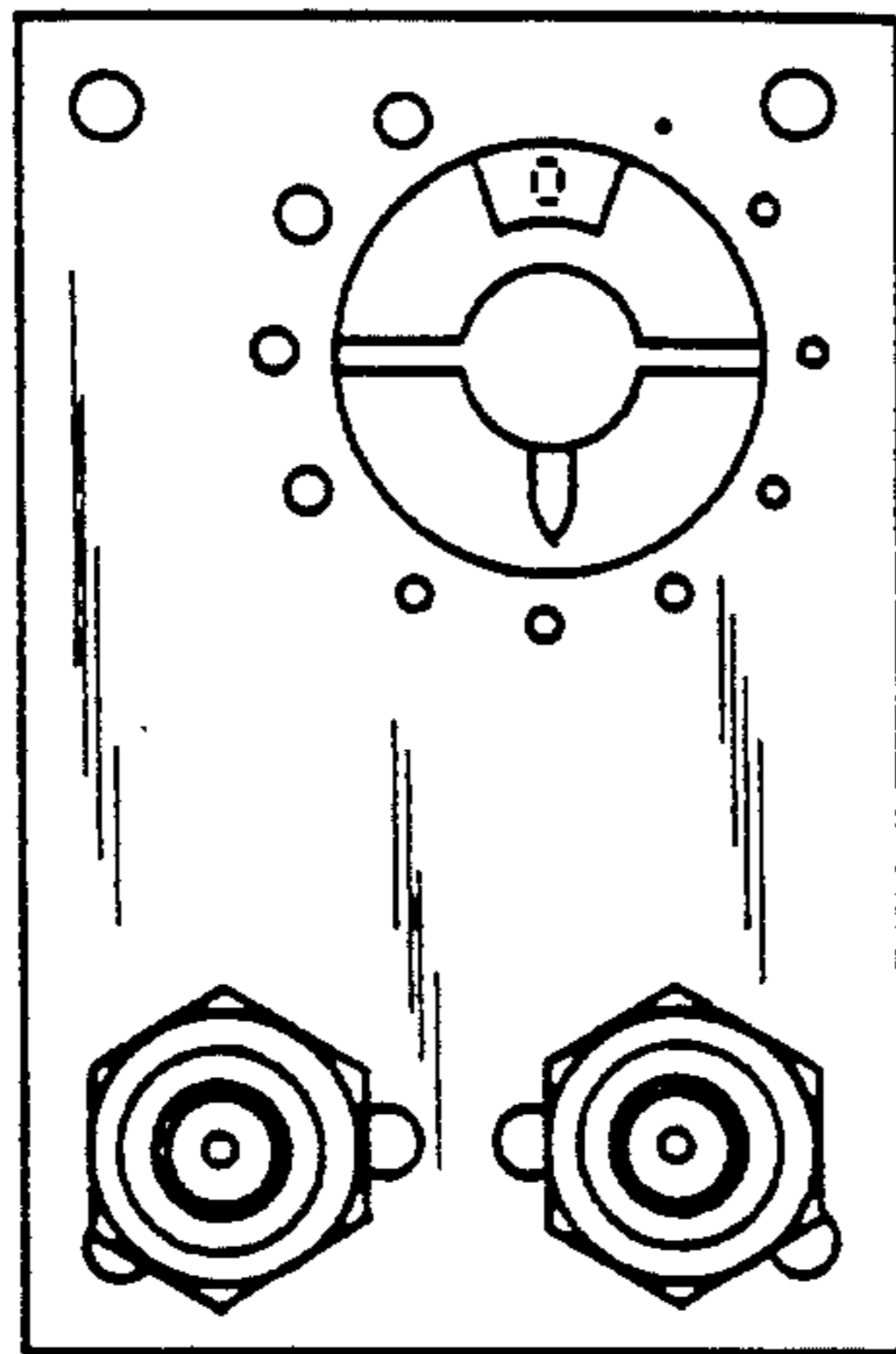


FIG. 1

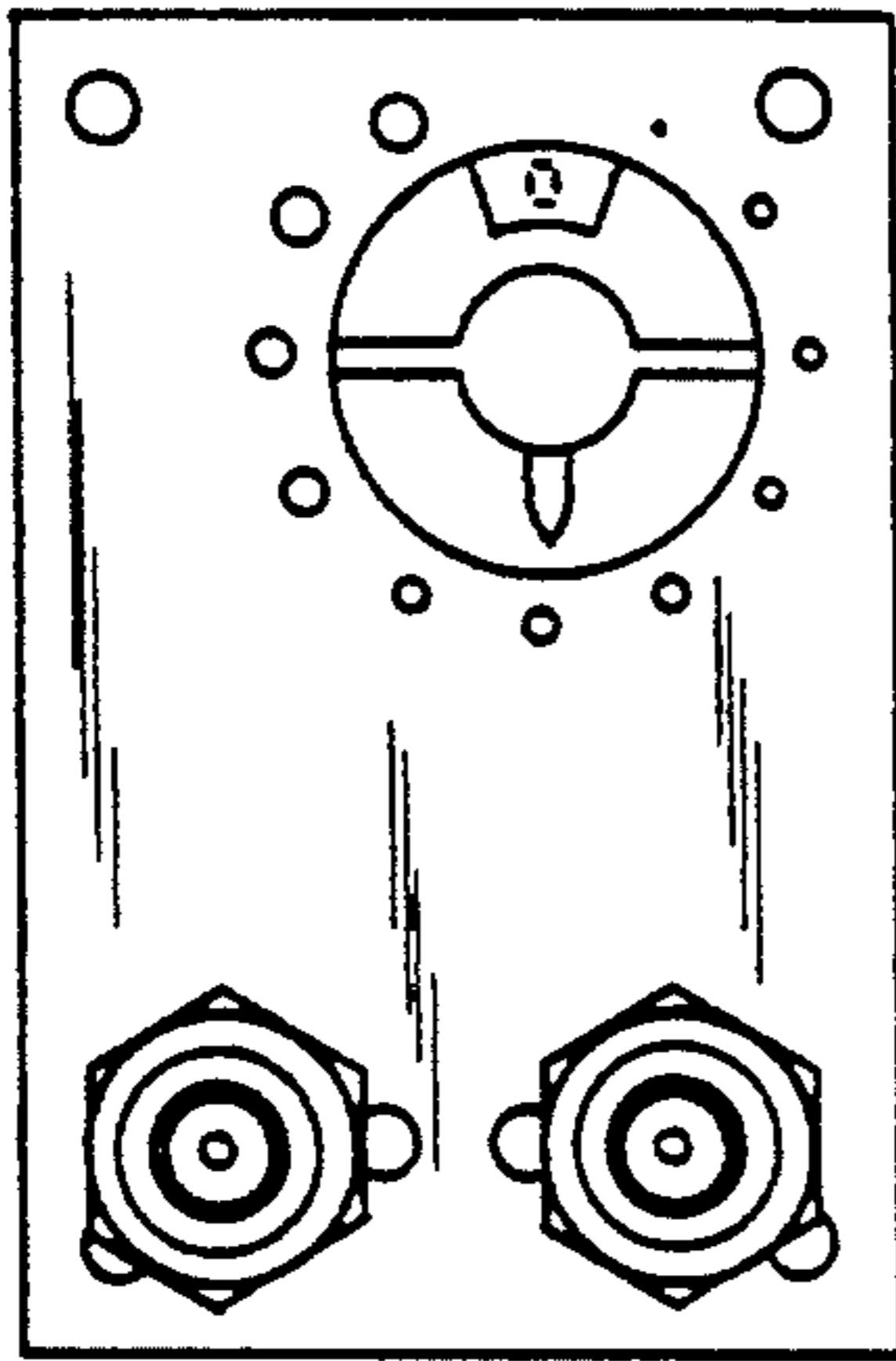


FIG. 2

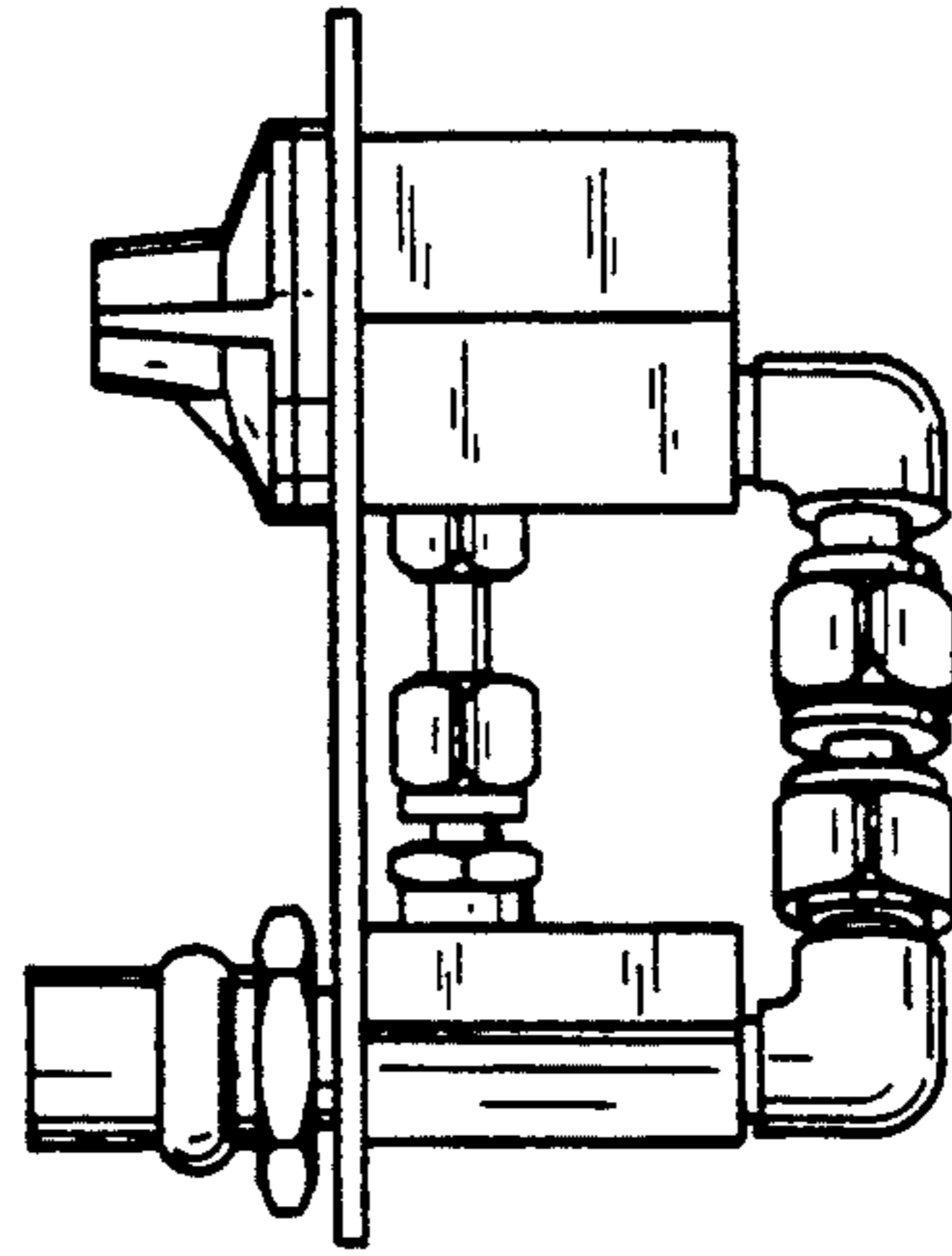


FIG. 3

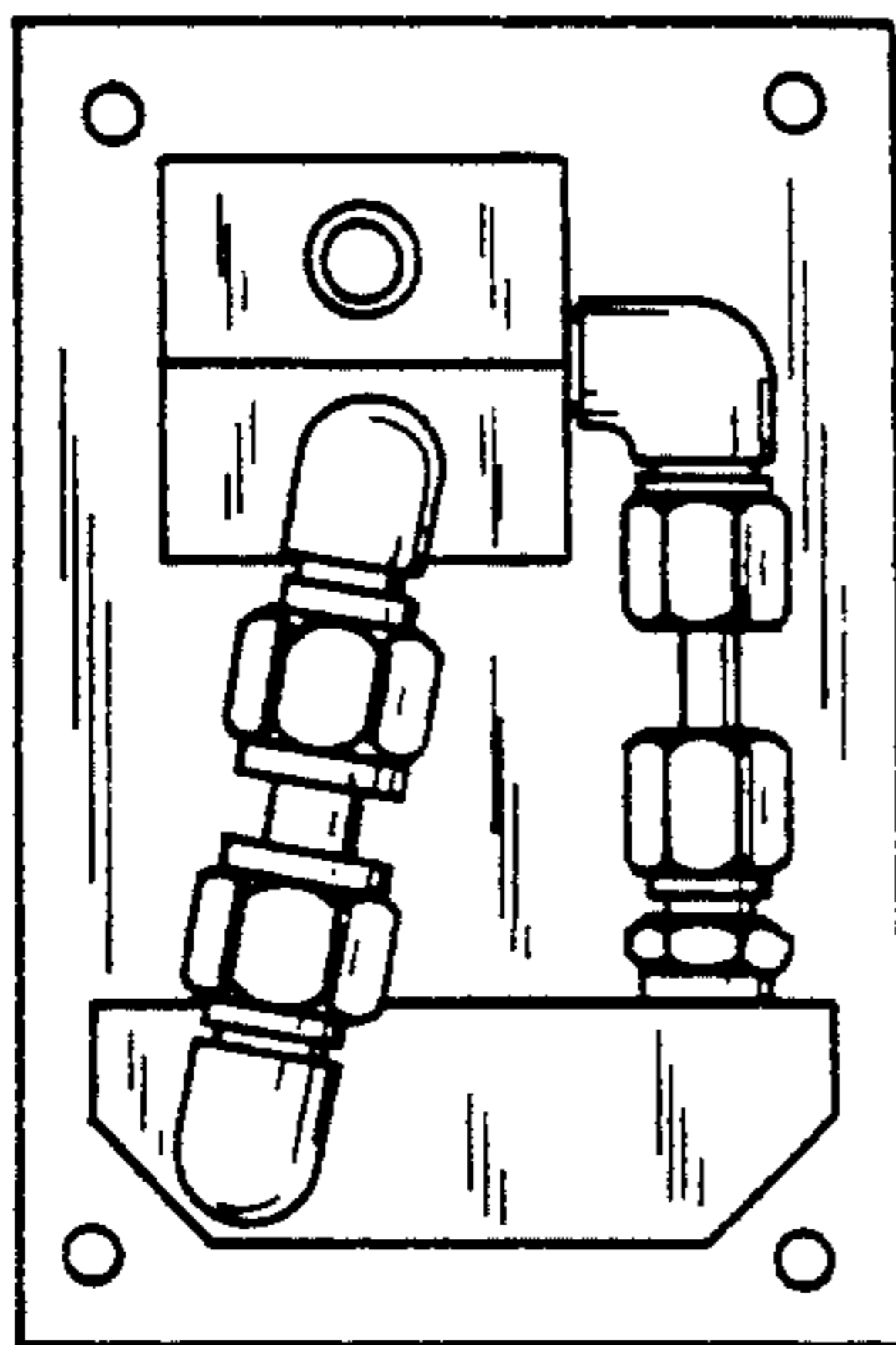


FIG. 4

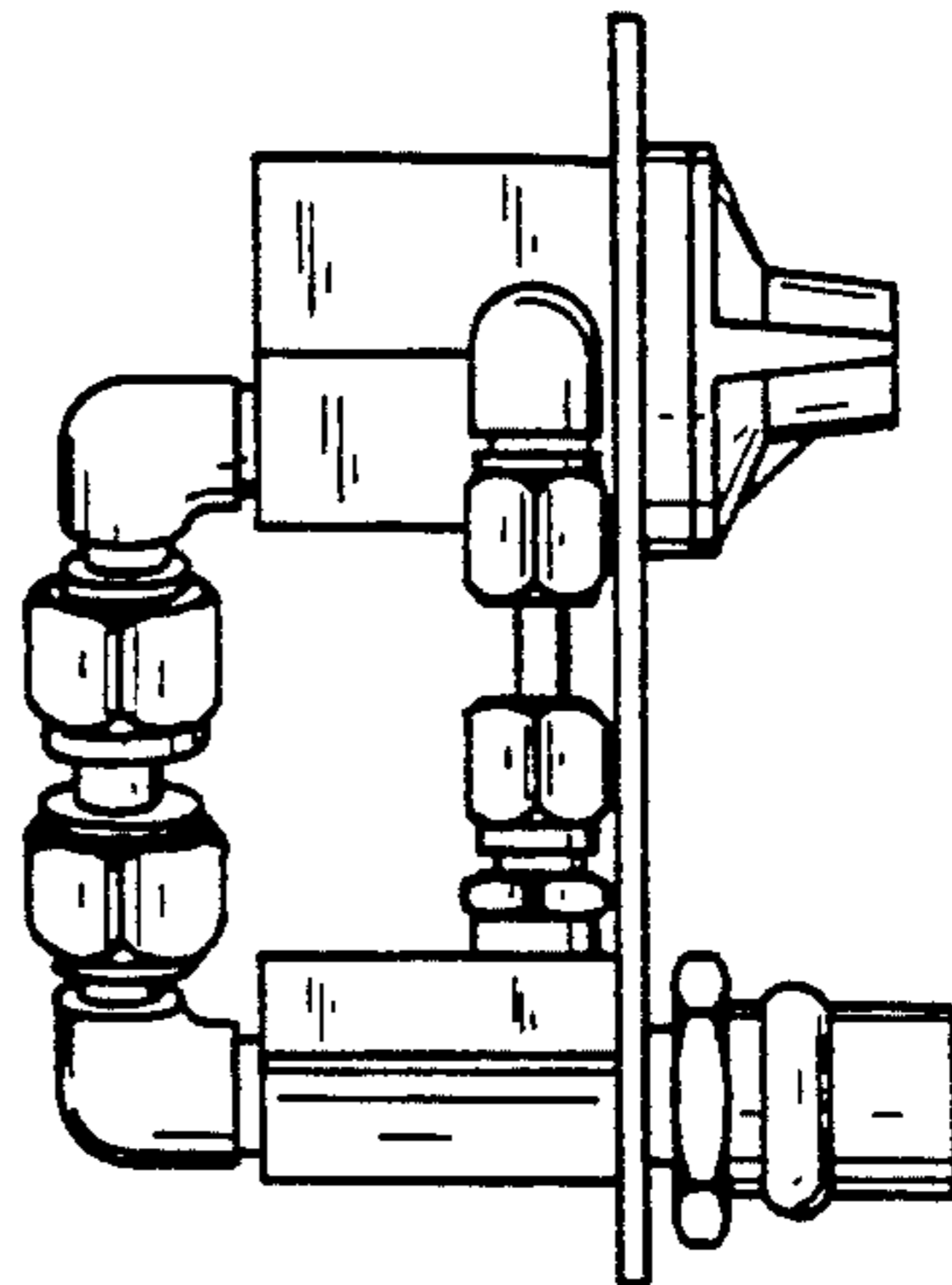


FIG. 5

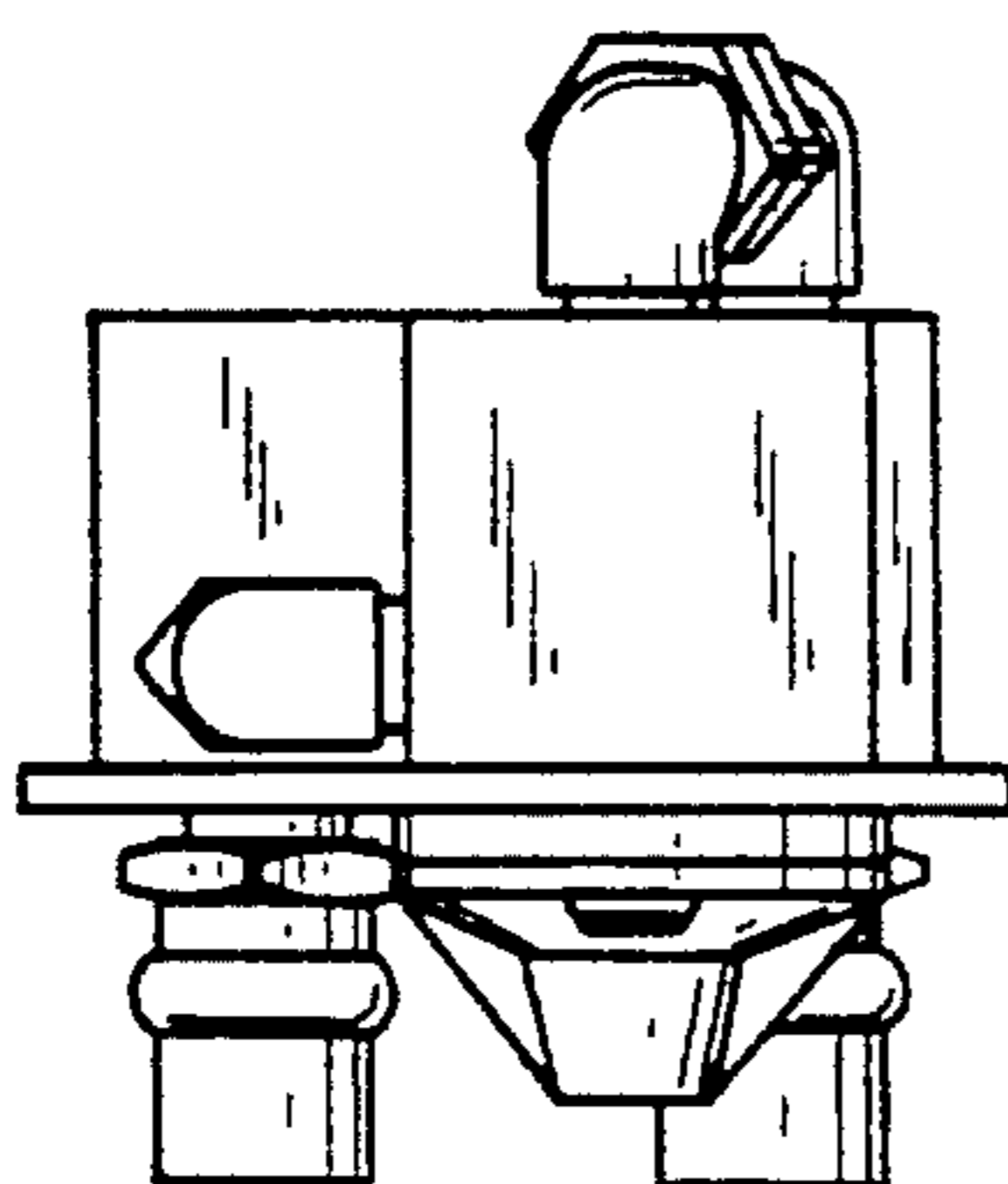


FIG. 6

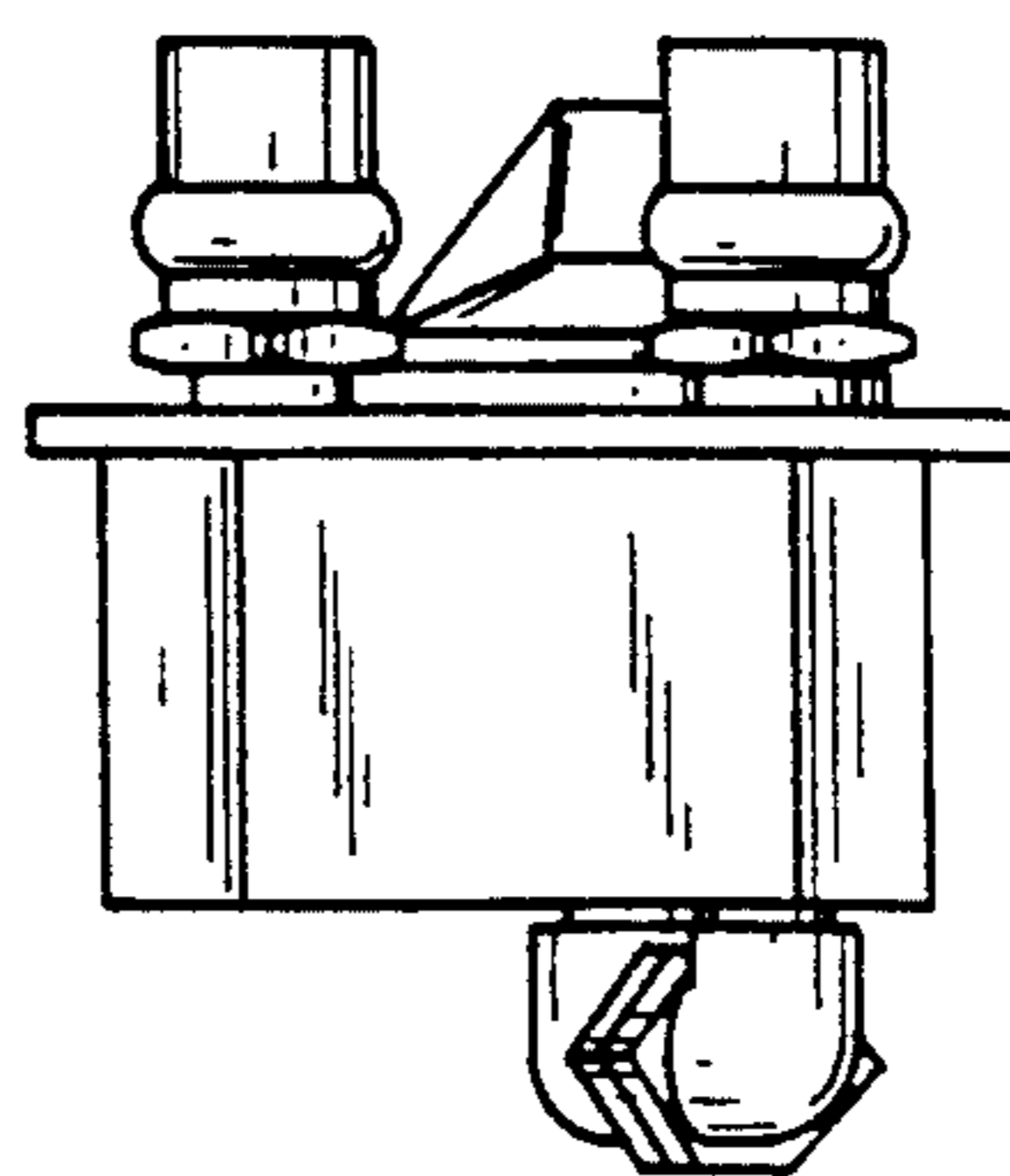


FIG. 7

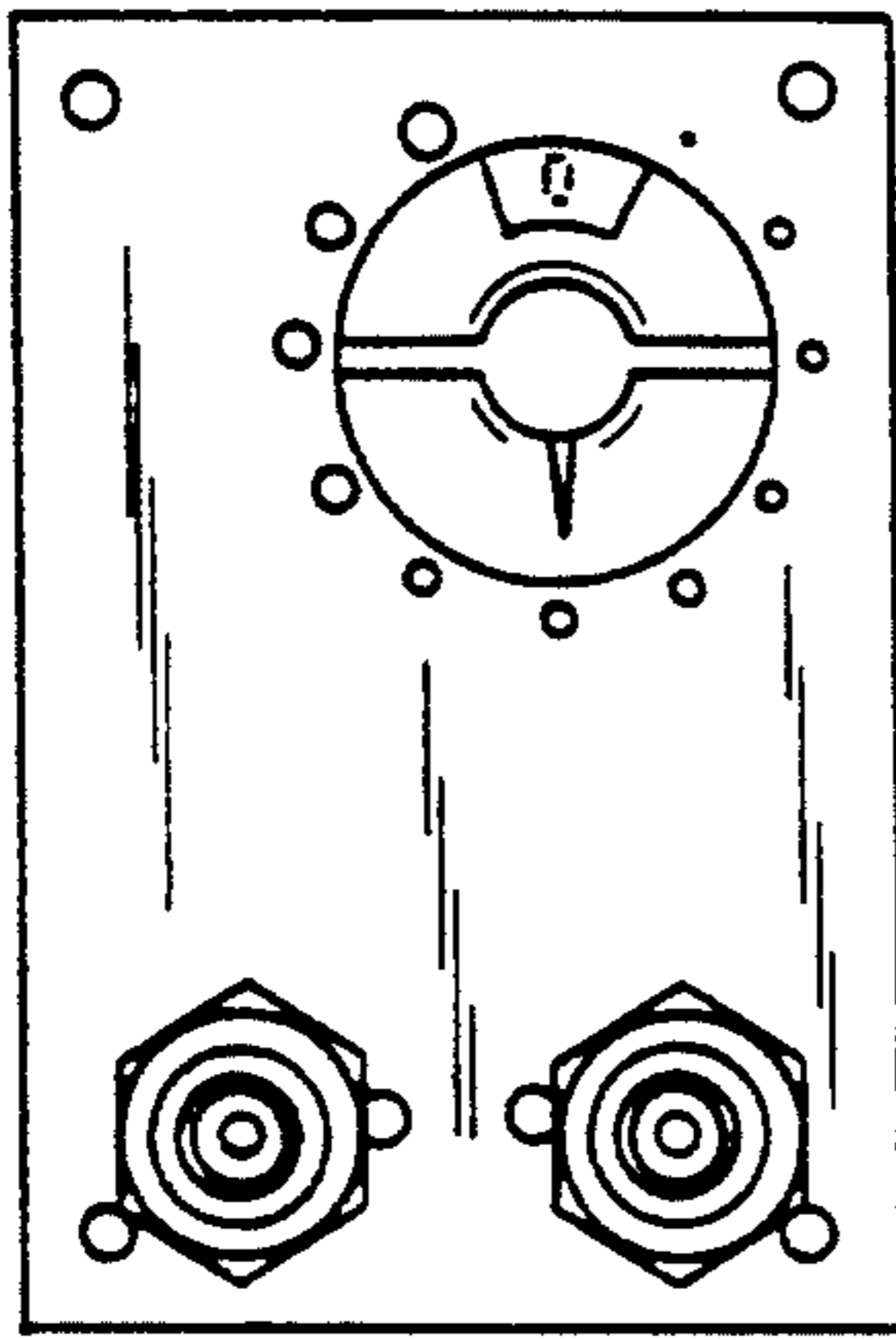


FIG. 8

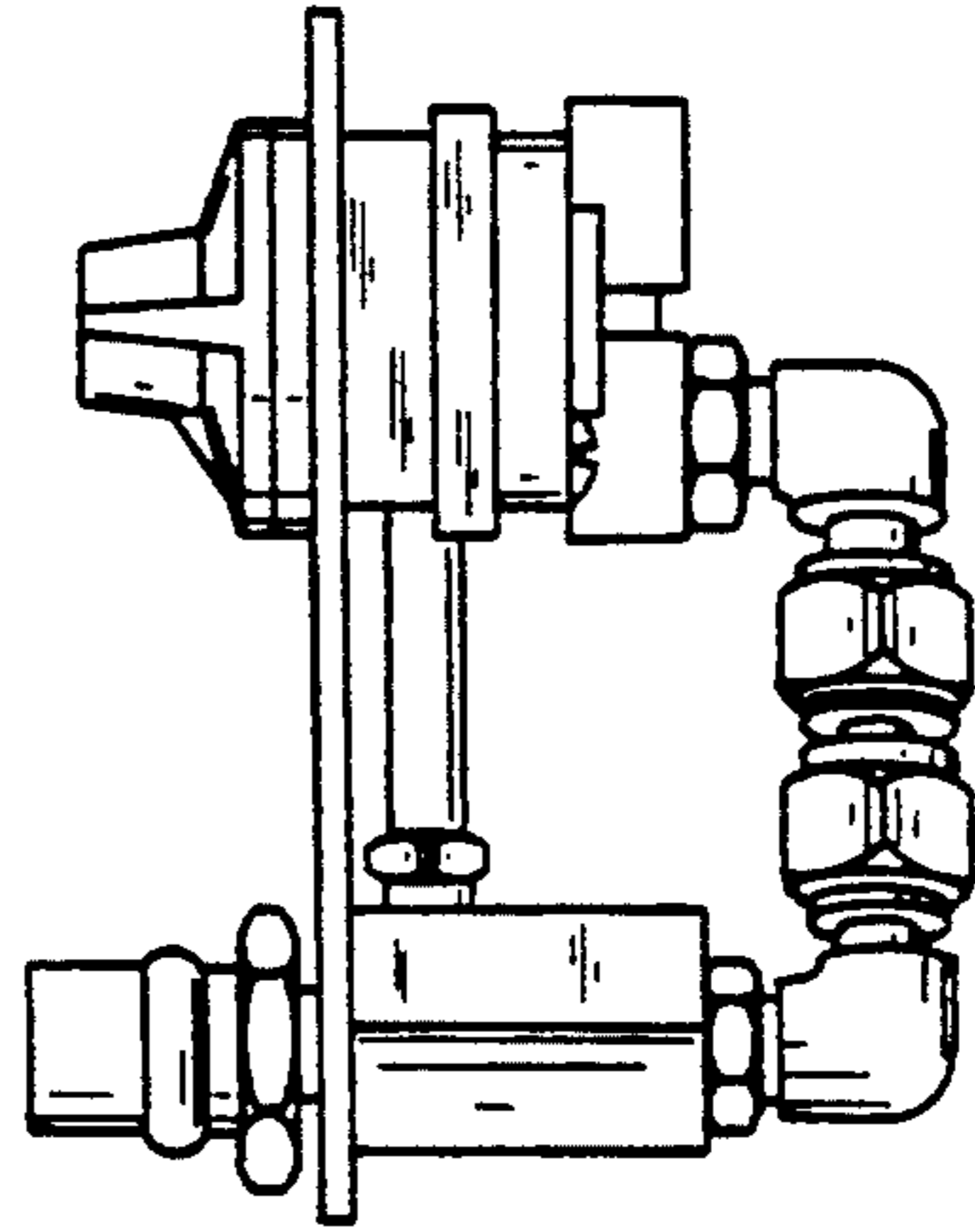


FIG. 9

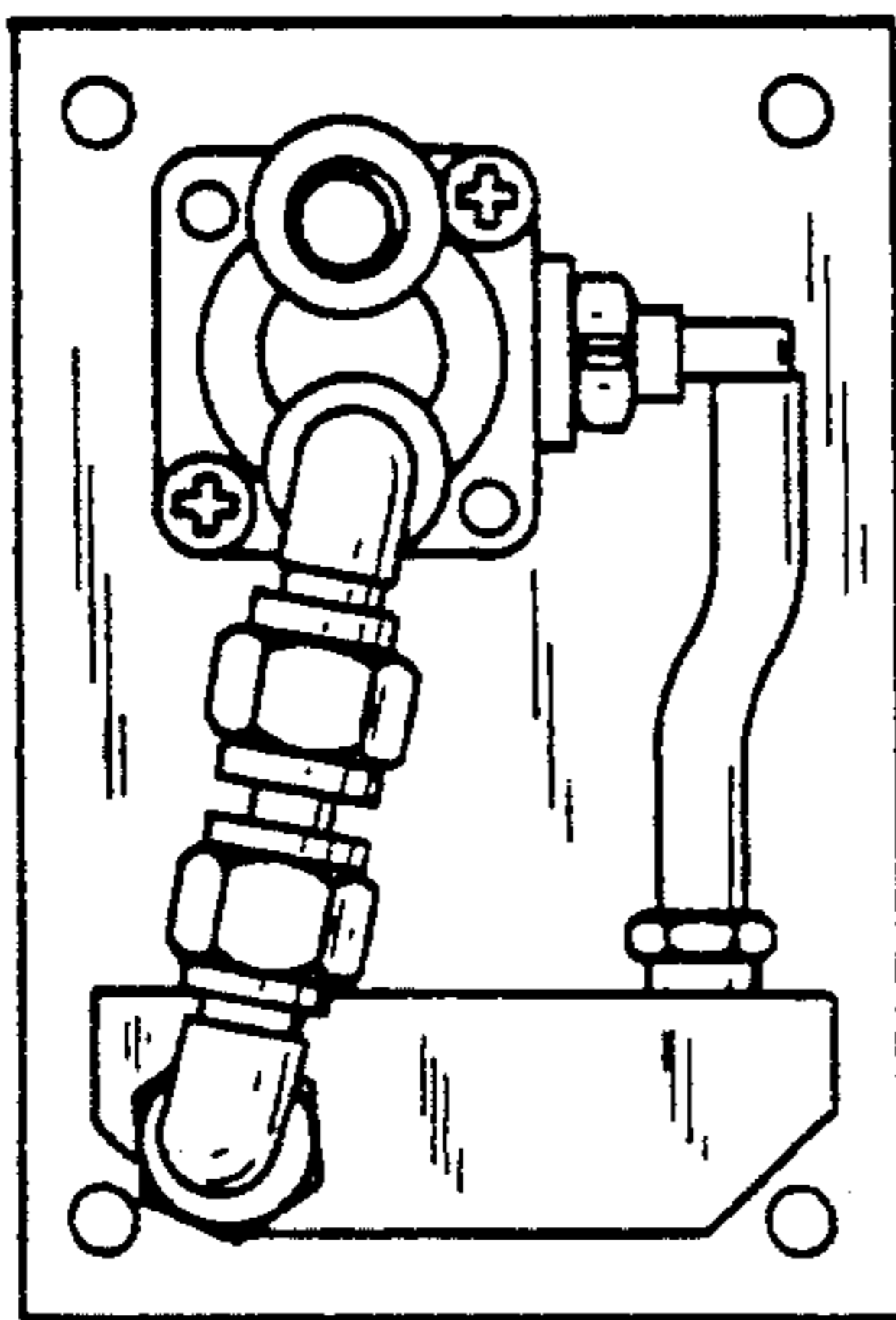


FIG. 10

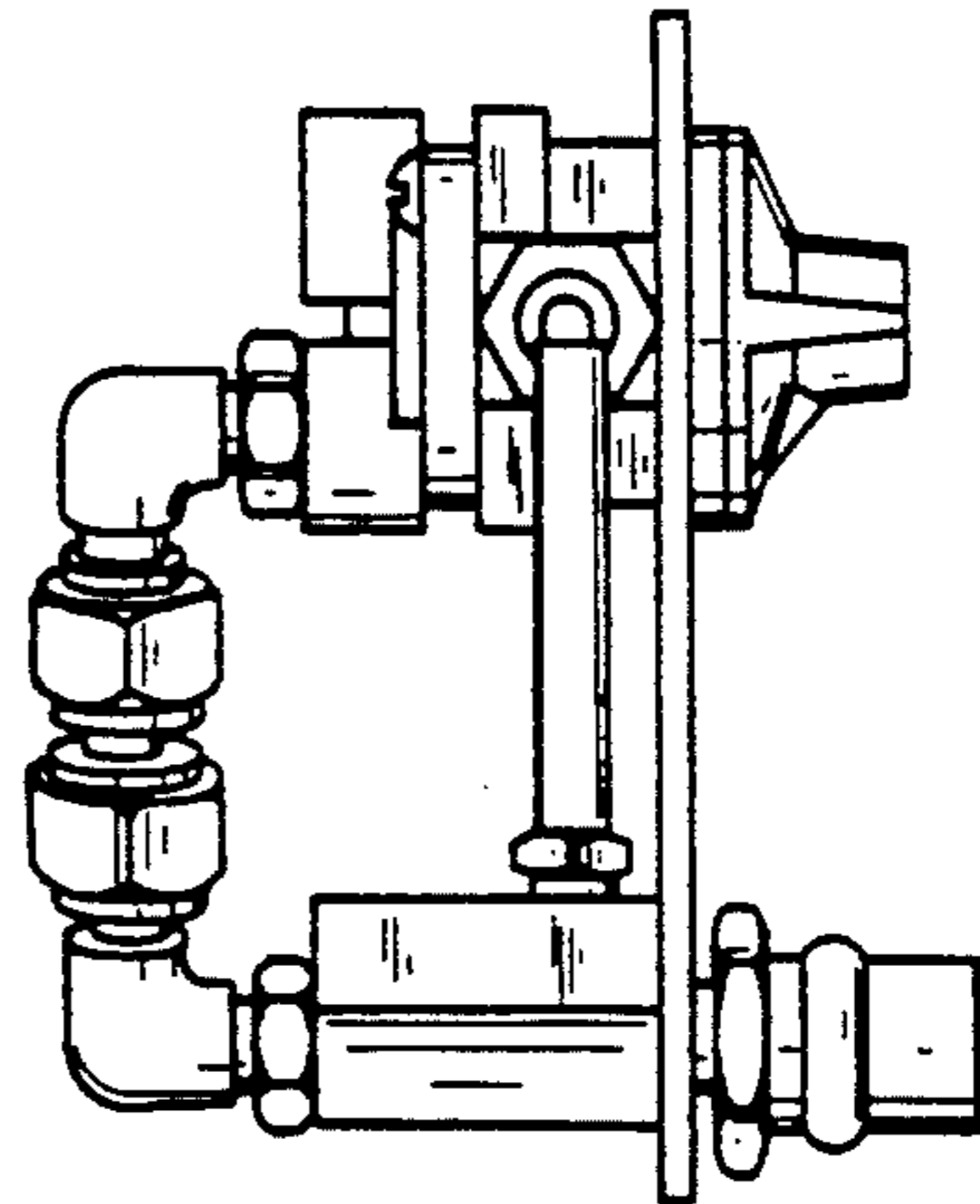


FIG. 11

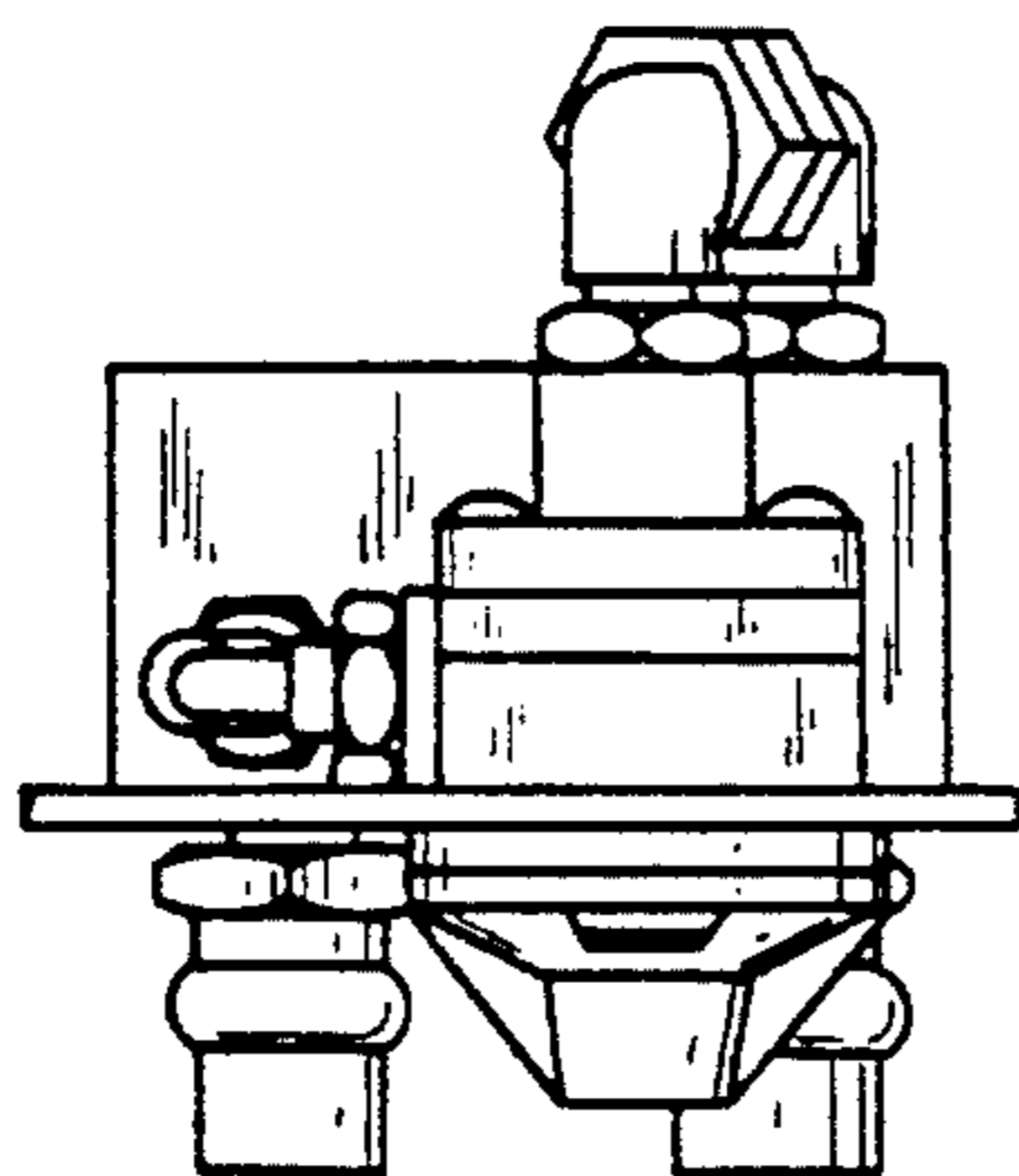


FIG. 12

