



US00D341655S

United States Patent [19]

Inda et al.

[11] Patent Number: **Des. 341,655**

[45] Date of Patent: **** Nov. 23, 1993**

[54] AIR DUCT RISER

4,773,197 9/1988 Sullivan 52/221

[75] Inventors: **John P. Inda**, Shawnee; **Joseph J. Inda**, Tecumseh, both of Okla.

[73] Assignee: **General Plastics, Inc.**, Shawnee, Okla.

[**] Term: **14 Years**

[21] Appl. No.: **4,468**

[22] Filed: **Feb. 5, 1993**

OTHER PUBLICATIONS

Exhibit A—Photograph of prior air duct riser.
Exhibit B—Photograph of prior air duct riser.
Sales information from Northern Pipe Products and GPK Products, Inc. (Undated but believed to be prior art to the present application).

Primary Examiner—Wallace R. Burke
Assistant Examiner—Lisa Lichtenstein
Attorney, Agent, or Firm—Dougherty, Hessin, Beavers & Gilbert

Related U.S. Application Data

[63] Continuation of Ser. No. 852,094, Mar. 16, 1992.

[52] U.S. Cl. **D23/393**

[58] Field of Search D23/393; 285/3, 184

[57] CLAIM

The ornamental design for an air duct riser, as shown and described.

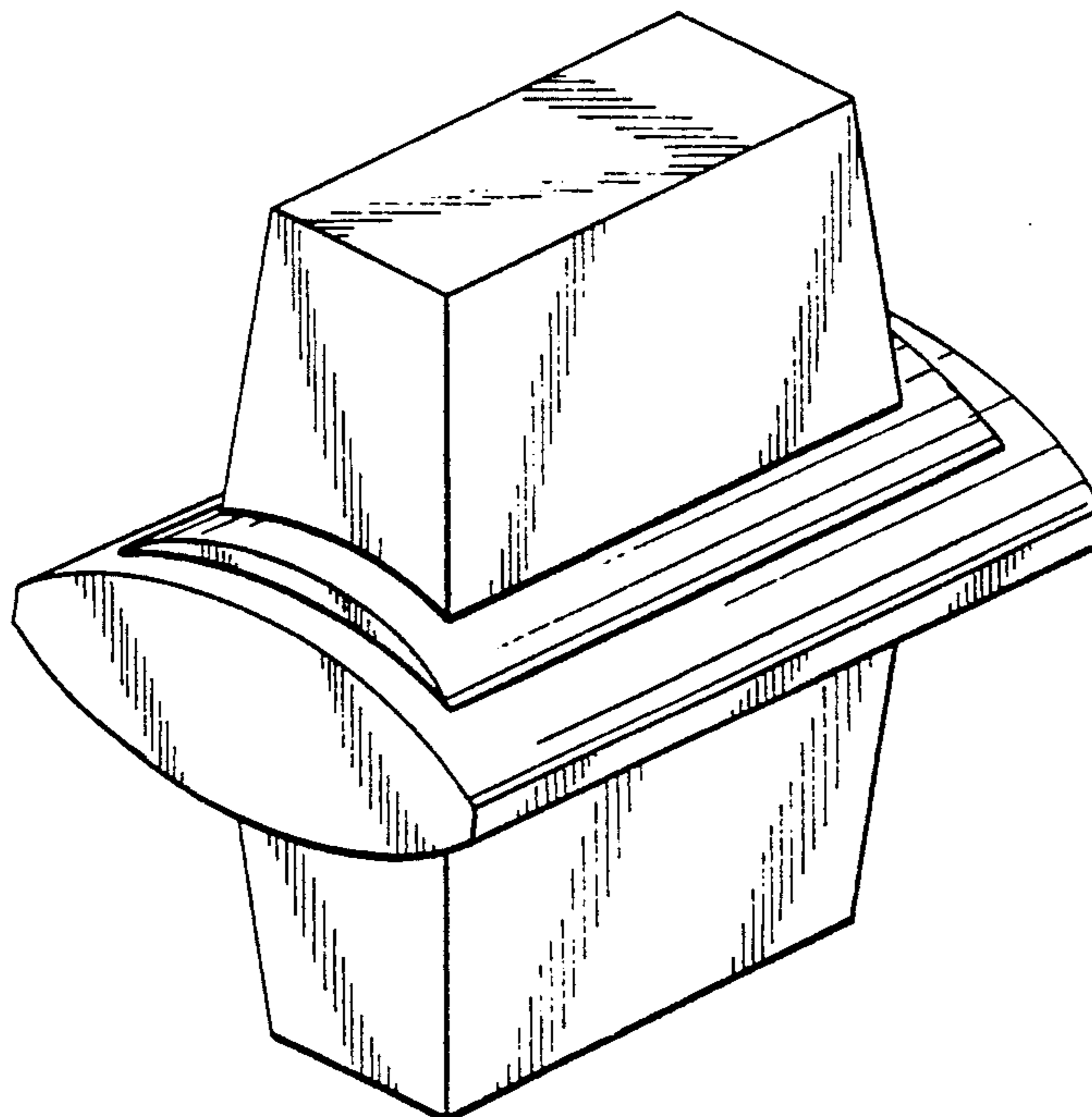
References Cited

U.S. PATENT DOCUMENTS

24,660	7/1859	Potts	52/221
D. 314,820	2/1991	Sullivan	D23/393
567,231	9/1896	Glauber	285/423
925,762	6/1909	Eager	285/105
2,086,007	7/1937	Tompkins	285/105
2,215,318	9/1940	Bristol	138/75

DESCRIPTION

FIG. 1 is a top plan view of an air duct riser which incorporates our new design;
FIG. 2 is a side elevation view of the air duct riser;
FIG. 3 is a front elevation view of the air duct riser; and,
FIG. 4 is a perspective view of the air duct riser.
The rear of the air duct riser is a mirror image of the front, and the bottom is a mirror image of the top.



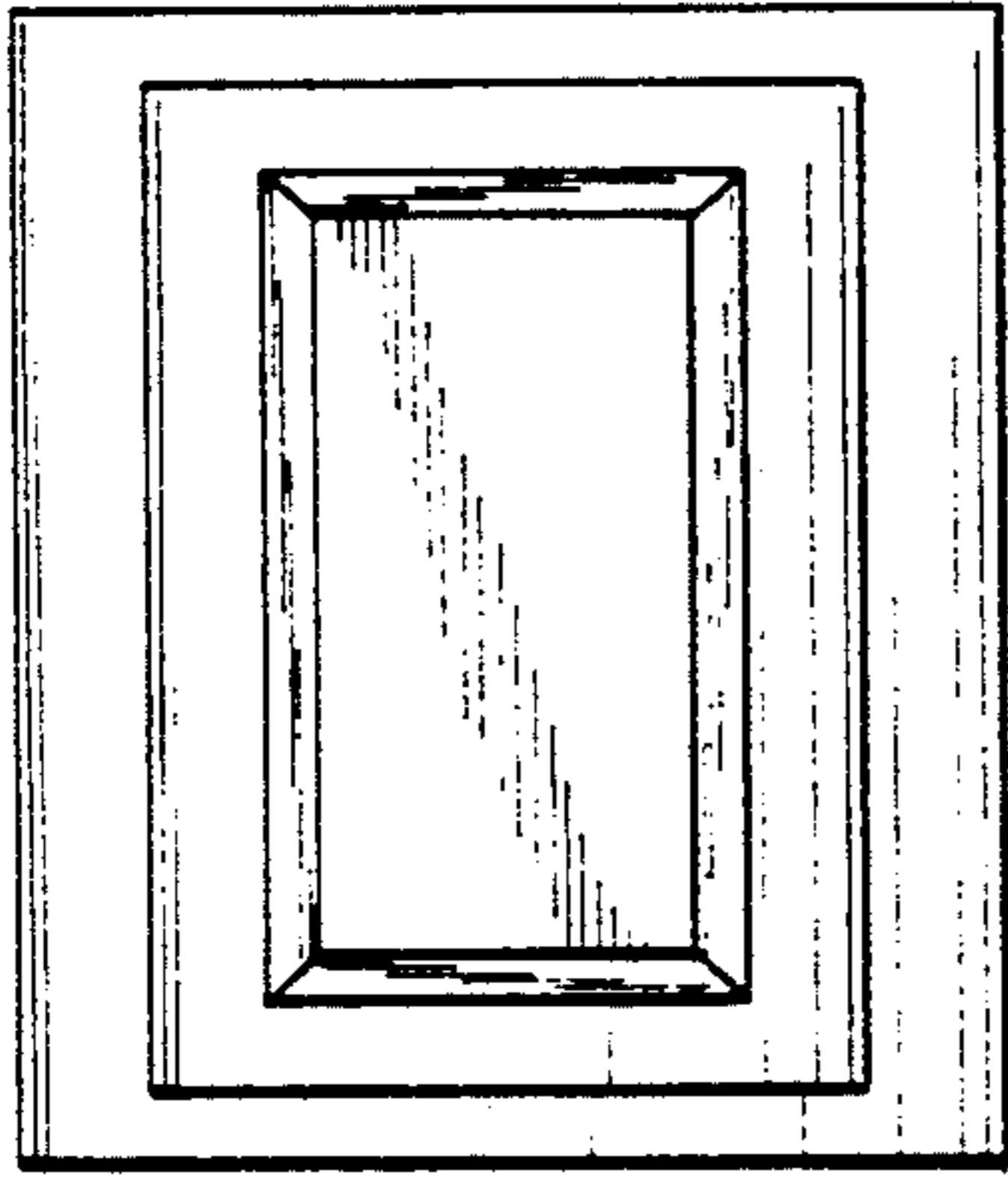


FIG. 1

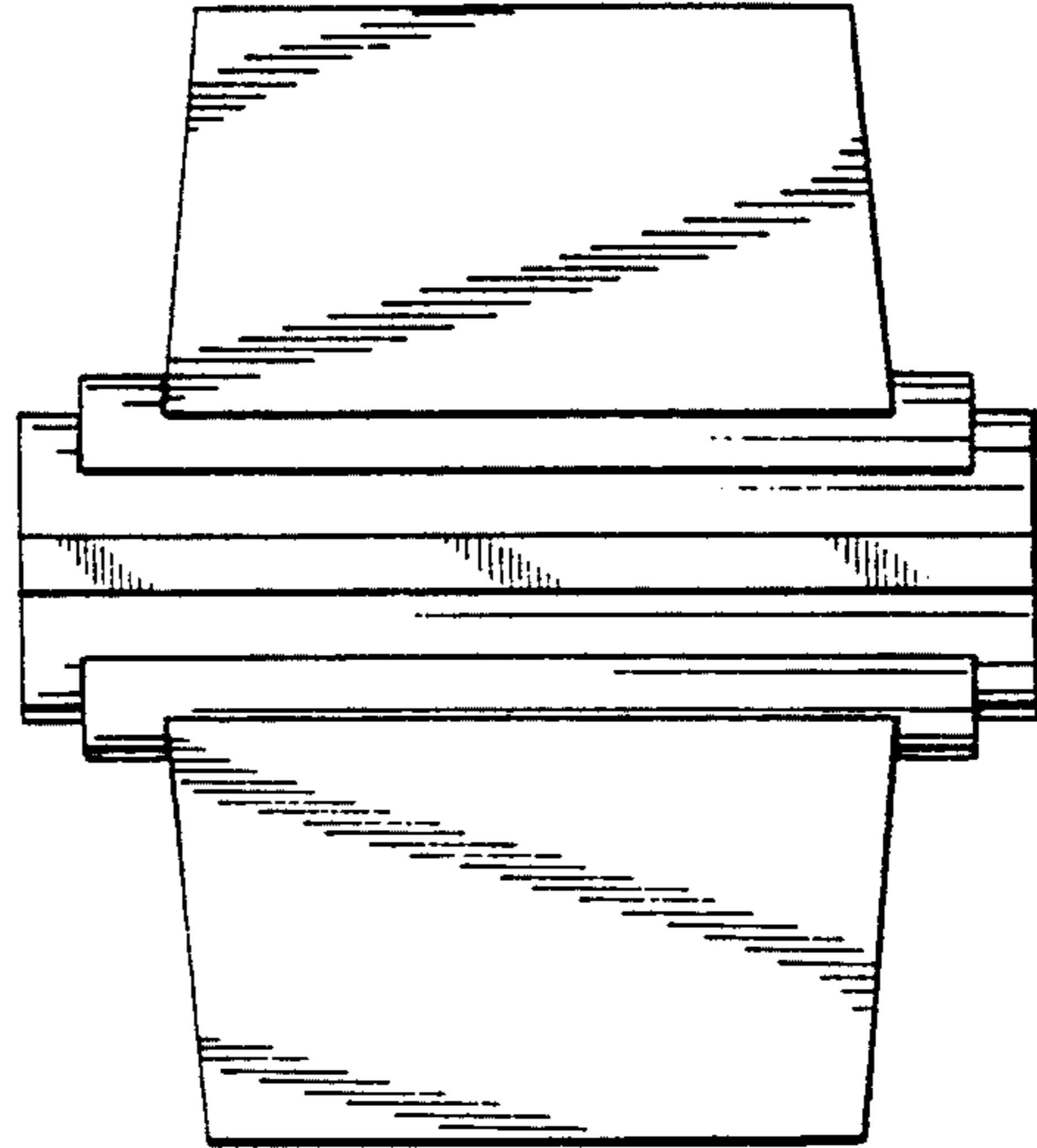


FIG. 2

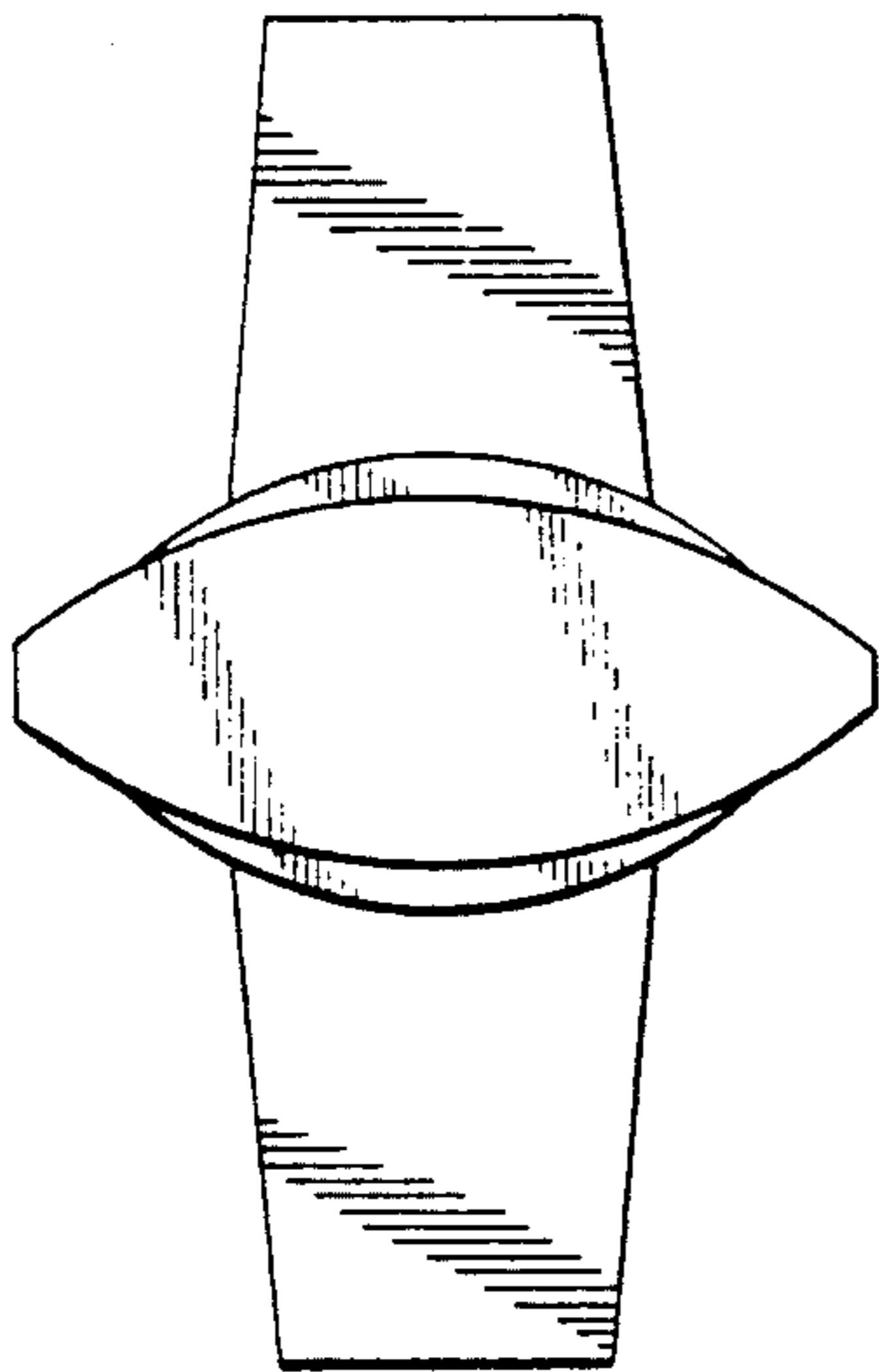


FIG. 3

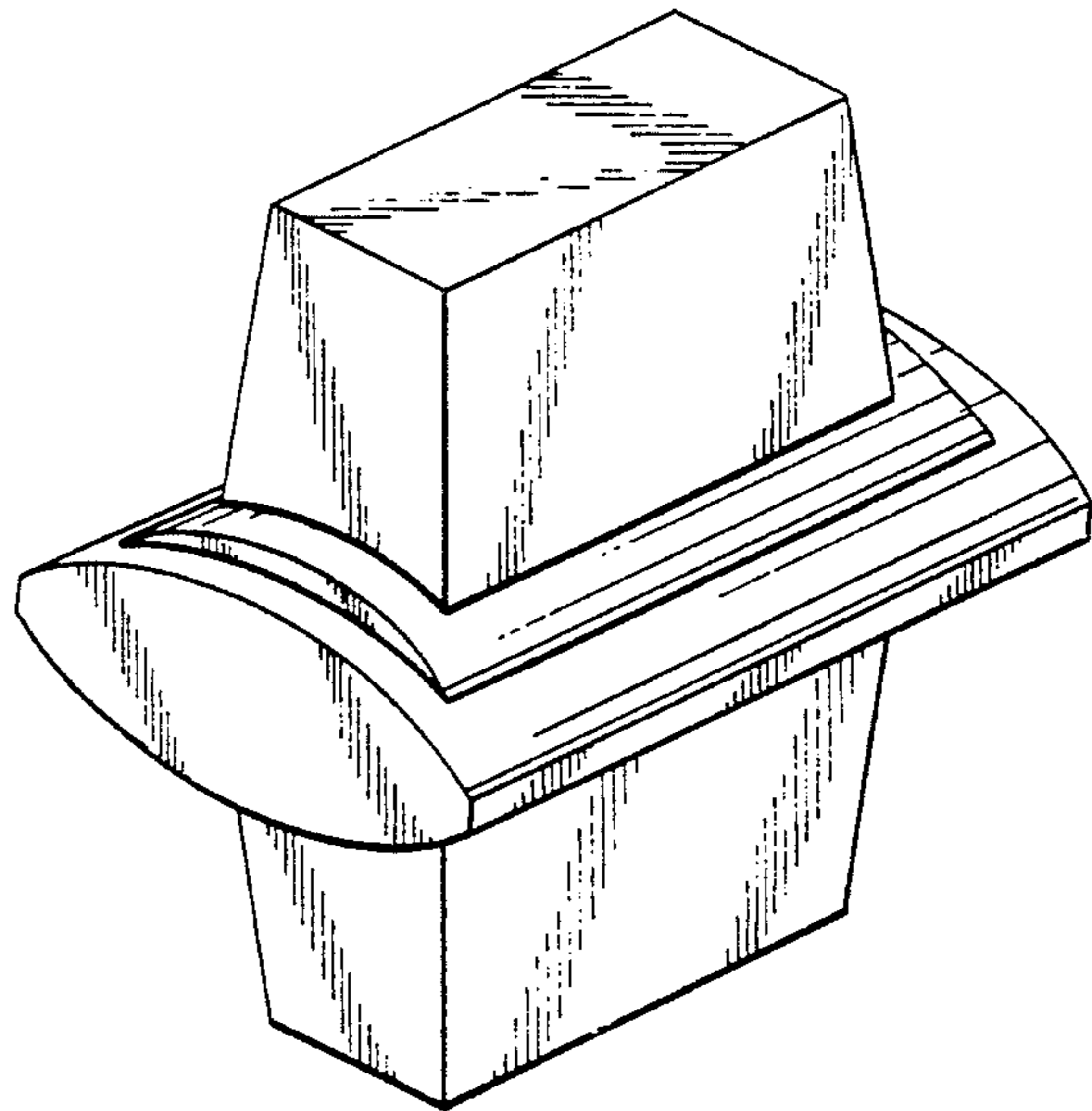


FIG. 4