



US00D341653S

United States Patent [19]

[11] Patent Number: **Des. 341,653**

Byar et al.

[45] Date of Patent: **** Nov. 23, 1993**

[54] **AUTOMATIC CLIMATE CONTROL UNIT FOR MOUNTING ON AUTOMOBILE DASHBOARDS OR FLOORS**

Primary Examiner—Wallace R. Burke
Assistant Examiner—Lisa Lichtenstein
Attorney, Agent, or Firm—Henry R. Lerner

[75] Inventors: **Peter Byar**, Willingboro, N.J.; **John Ruhland**, Ridgefield, Conn.

[57] **CLAIM**

[73] Assignee: **Interdynamics, Inc.**, Brooklyn, N.Y.

The ornamental design for an automatic climate control unit for mounting on automobile dashboards or floors, as shown and described.

[**] Term: **14 Years**

DESCRIPTION

[21] Appl. No.: **755,349**

FIG. 1 is a front perspective view of an automatic climate control unit for mounting on automobile dashboards or floors showing our new design;

[22] Filed: **Sep. 5, 1991**

FIG. 2 is a front elevational view thereof, on a reduced scale;

[52] U.S. Cl. **D23/386; D23/324; D10/50; D12/174**

FIG. 3 is a right side view thereof, on a reduced scale;

[58] Field of Search **D23/386, 324; D10/50; D12/192, 174, 177; 200/61.54; 74/494, 492; 165/41**

FIG. 4 is a top plan view thereof, on a reduced scale;

FIG. 5 is a left side view thereof, on a reduced scale;

FIG. 6 is a rear elevational view thereof, on a reduced scale; and,

[56] **References Cited**

U.S. PATENT DOCUMENTS

D. 256,575	8/1980	Moore	D12/174
D. 294,243	2/1988	Lane, Jr.	D12/174
D. 294,244	2/1988	Lane, Jr.	D12/174

FIG. 7 is a bottom plan view thereof, on a reduced scale.

The bottom stalk of the climate control unit has been shown broken away in FIGS. 1-7, to indicate indeterminate length.

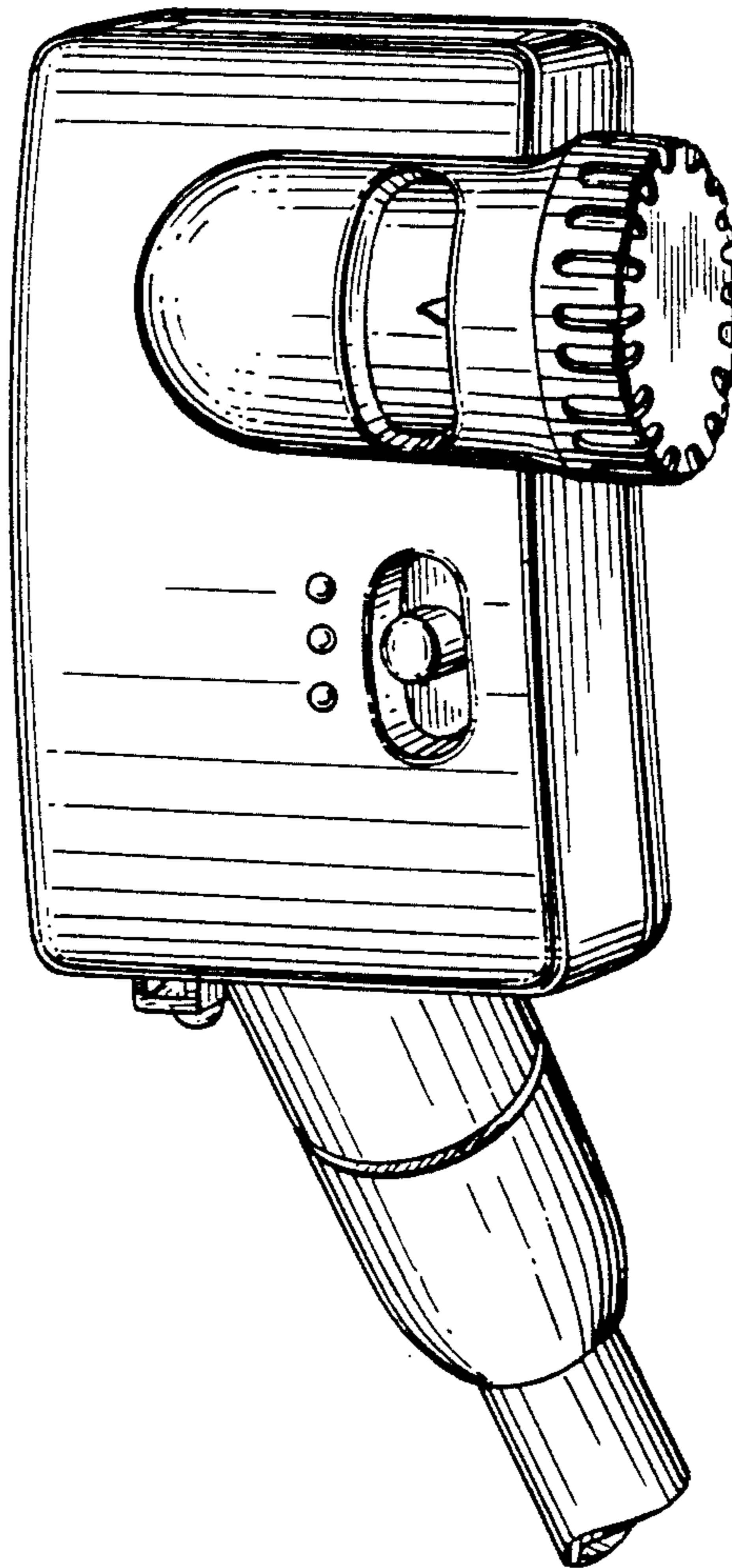


FIG. 1

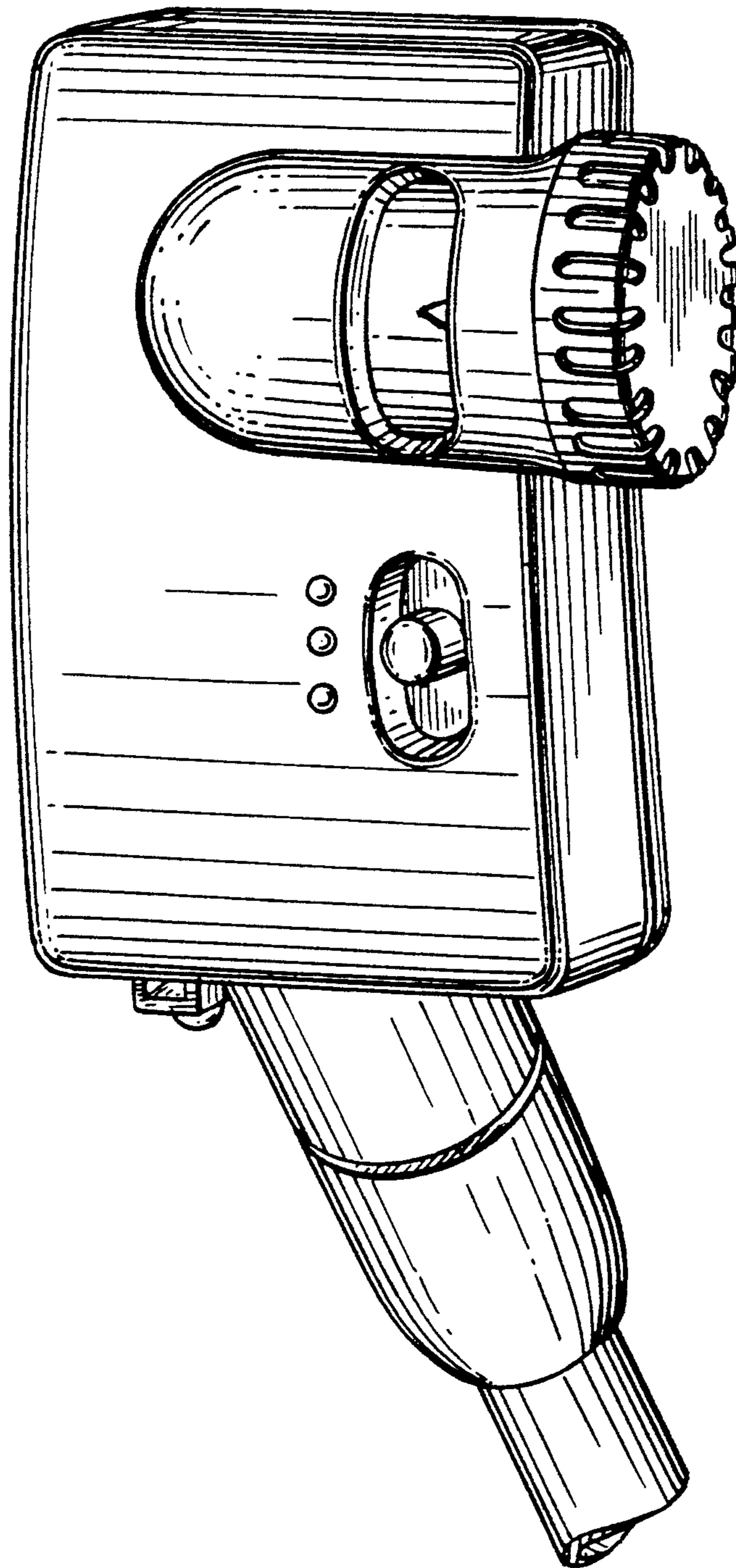


FIG. 3

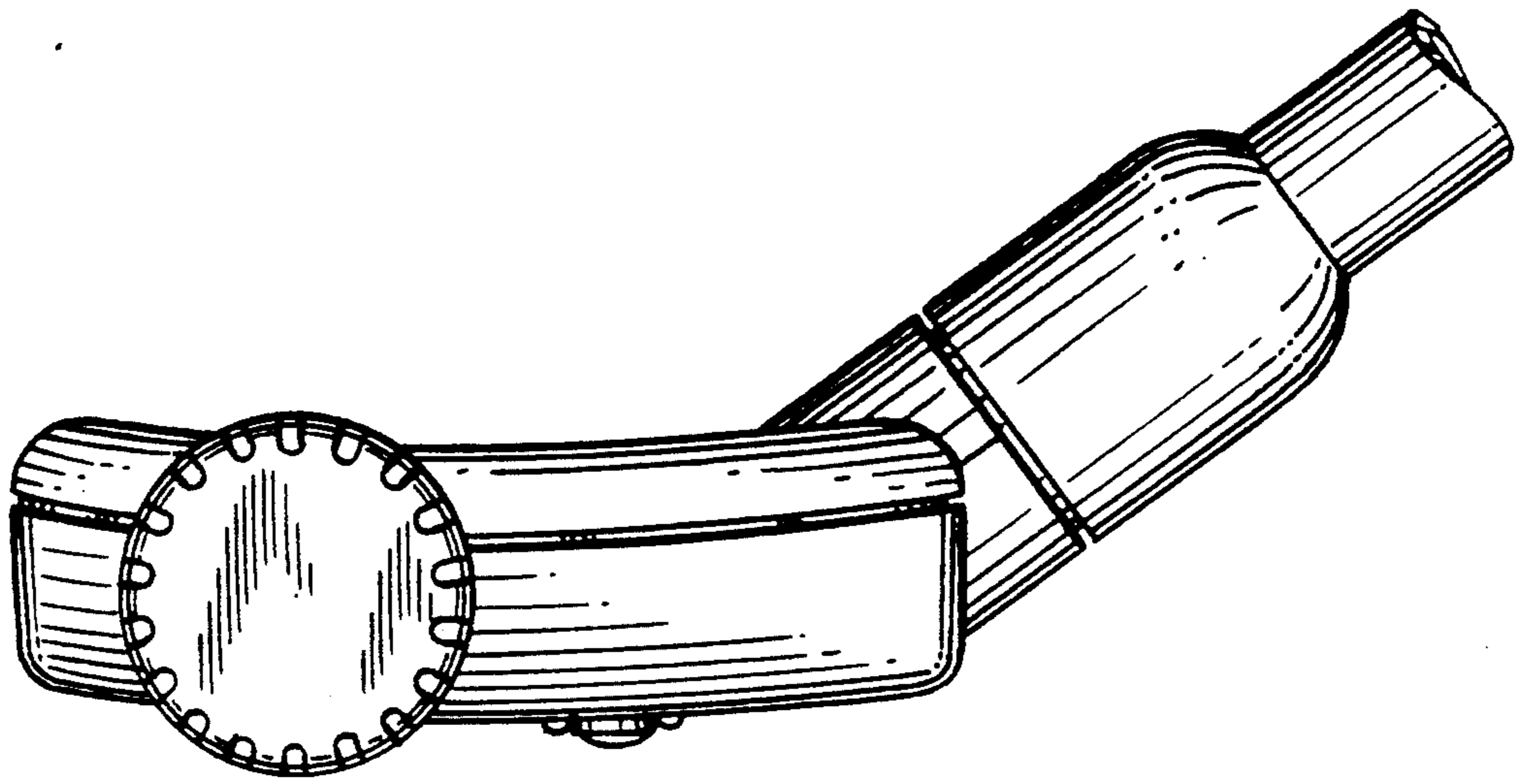


FIG. 4

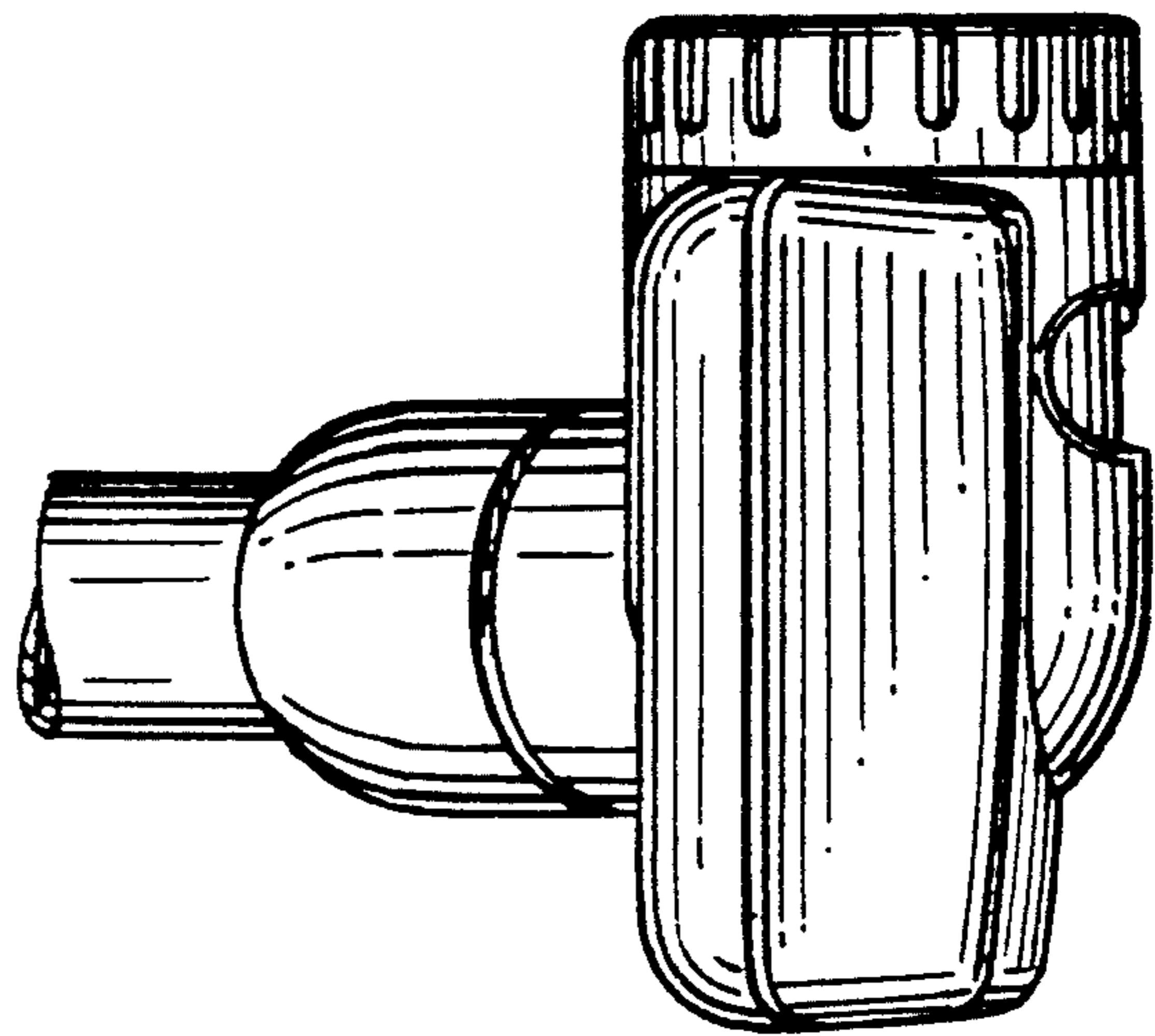


FIG. 2

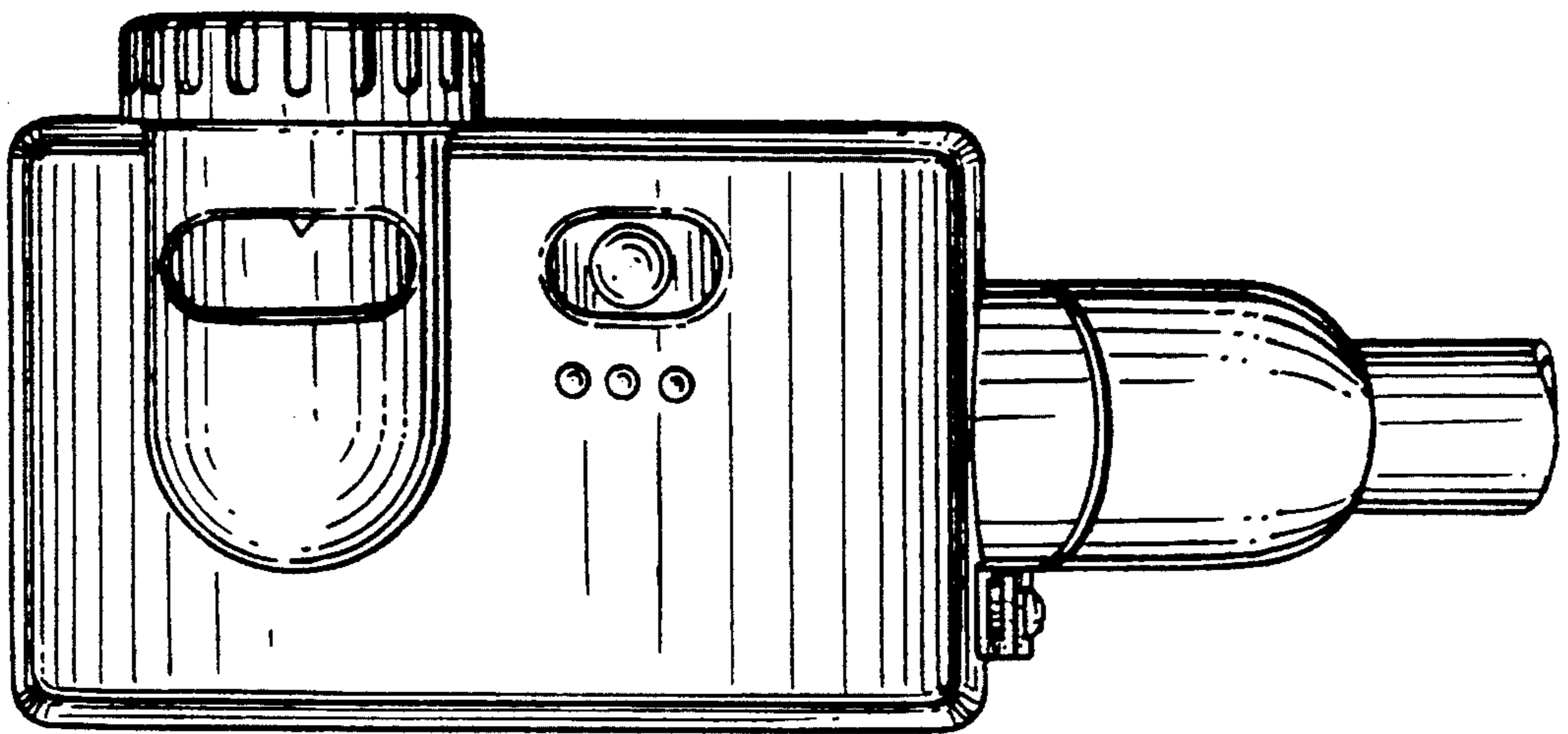


FIG. 6

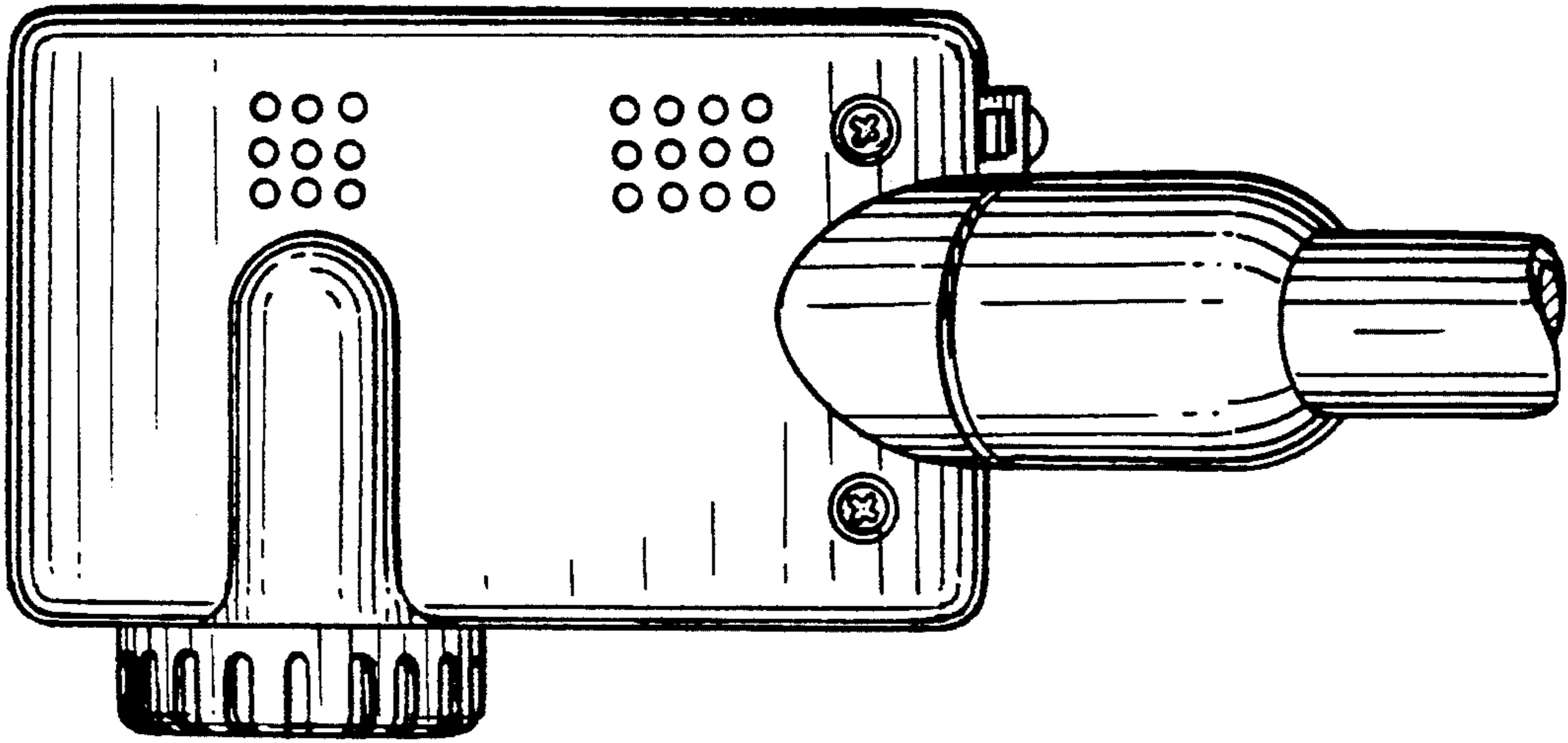


FIG. 7

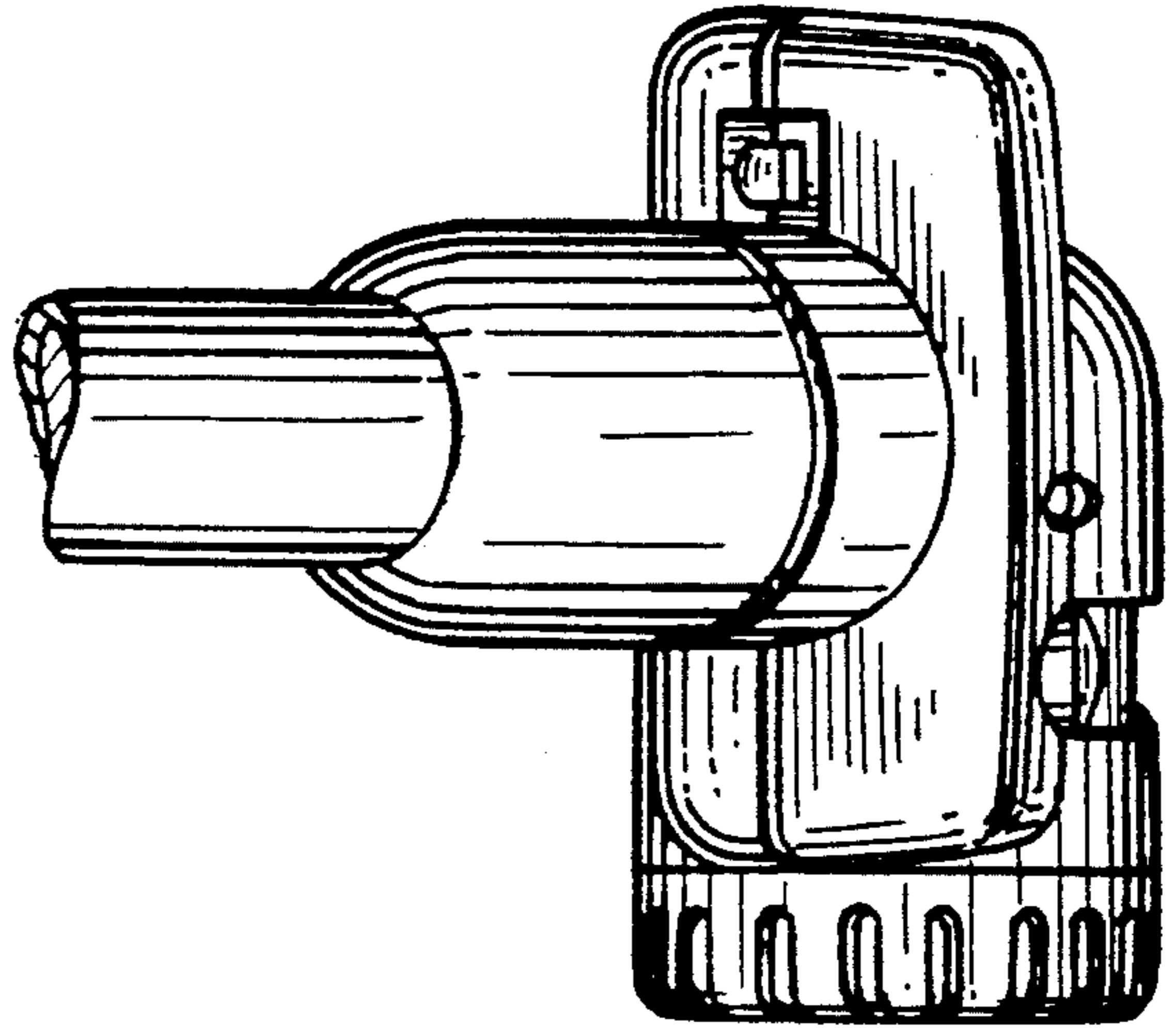


FIG. 5

