



US00D341652S

United States Patent [19] Marino

[11] Patent Number: Des. 341,652

[45] Date of Patent: ** Nov. 23, 1993

[54] PORTABLE ELECTRICAL FAN

[75] Inventor: Frank Marino, Upton, Mass.

[73] Assignee: Duracraft Corporation, Whitinsville, Mass.

[**] Term: 14 Years

[21] Appl. No.: 1,772

[22] Filed: Nov. 23, 1992

[52] U.S. Cl. D23/378

[58] Field of Search D23/378, 370, 382, 381,
D23/411, 412; 248/125, 676; 416/246 R;
D19/244 R, 65, 86

[56] References Cited

U.S. PATENT DOCUMENTS

D. 314,047 1/1991 Wang D23/378
D. 326,786 6/1992 McLeod D6/462

OTHER PUBLICATIONS

Vornado Air Circulation Systems, Inc., CAT. ©1989, Front Cover, Fan 280LS, middle front page.
Holmes Air Owner's Manual, 1992, HANF-75 pp. 1, 3 and 4.

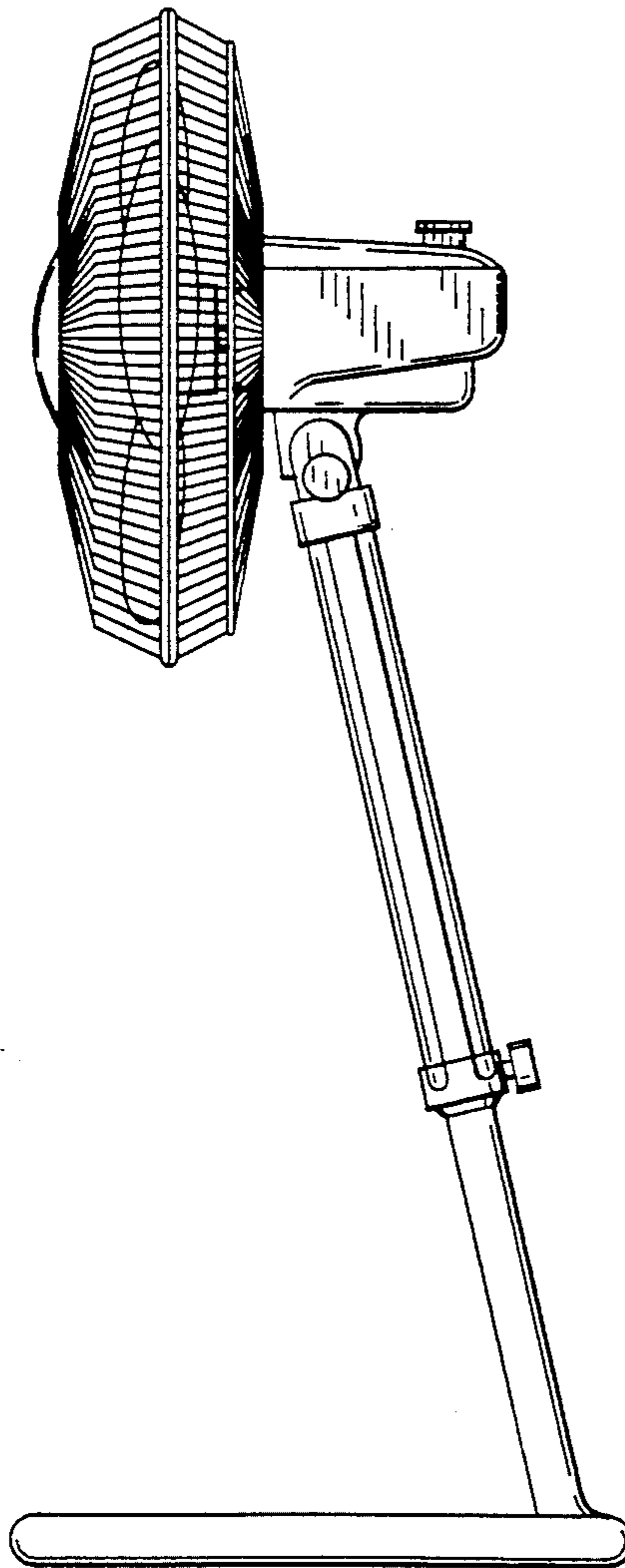
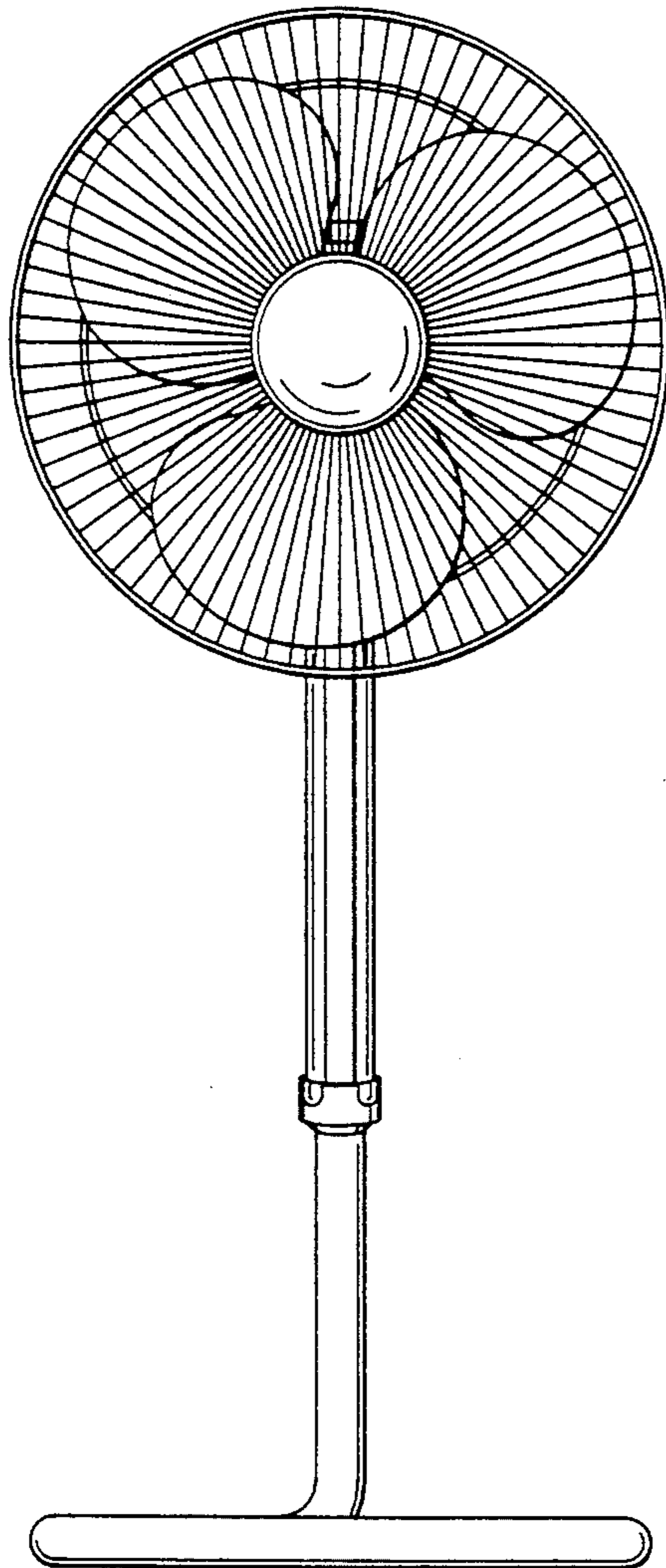
Primary Examiner—Wallace R. Burke
Assistant Examiner—Lisa Lichtenstein
Attorney, Agent, or Firm—John E. Toupal; Harold G. Jarcho

[57] CLAIM

The ornamental design for a portable electrical fan, as shown.

DESCRIPTION

FIG. 1 is a front view of a portable electrical fan showing my new design;
FIG. 2 is a right side elevational view thereof;
FIG. 3 is a rear elevational view thereof;
FIG. 4 is a left side elevational view thereof;
FIG. 5 is a top plan view thereof; and,
FIG. 6 is a bottom plan view thereof.



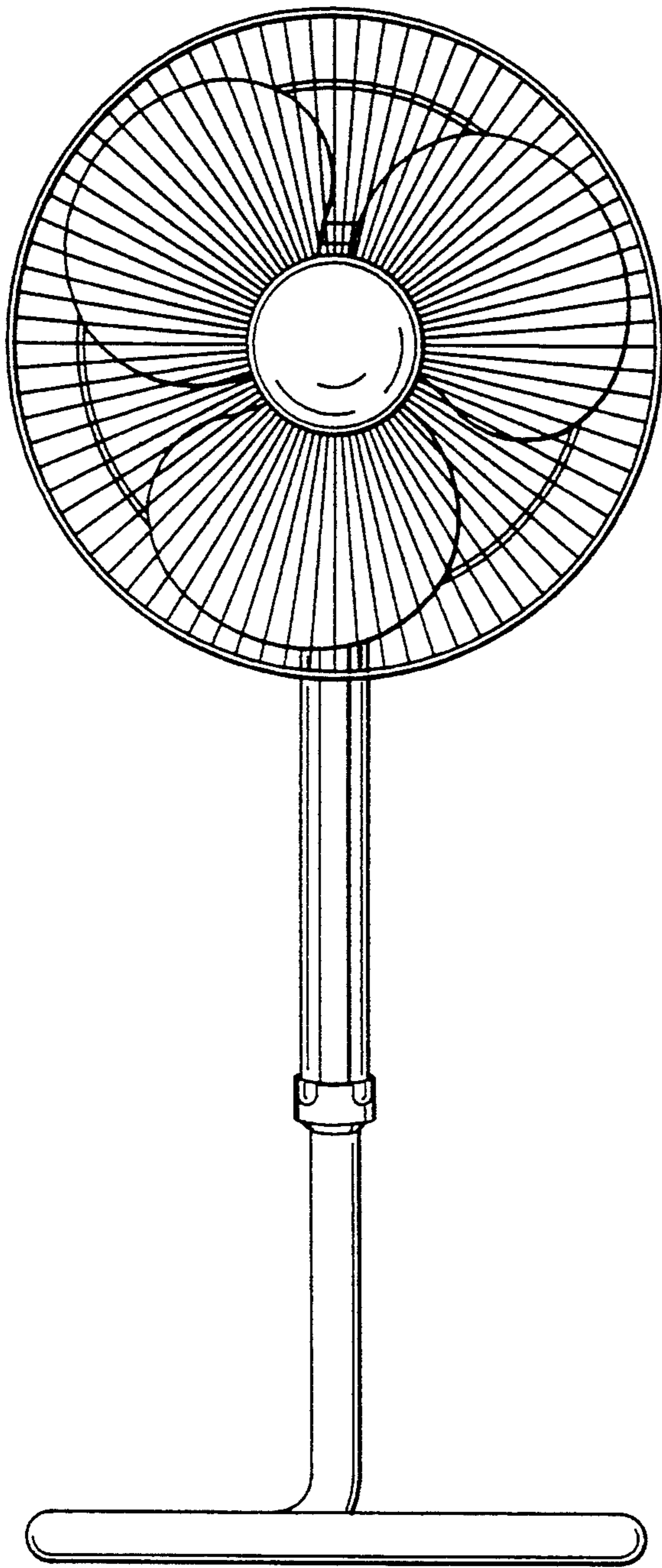


FIG. 1

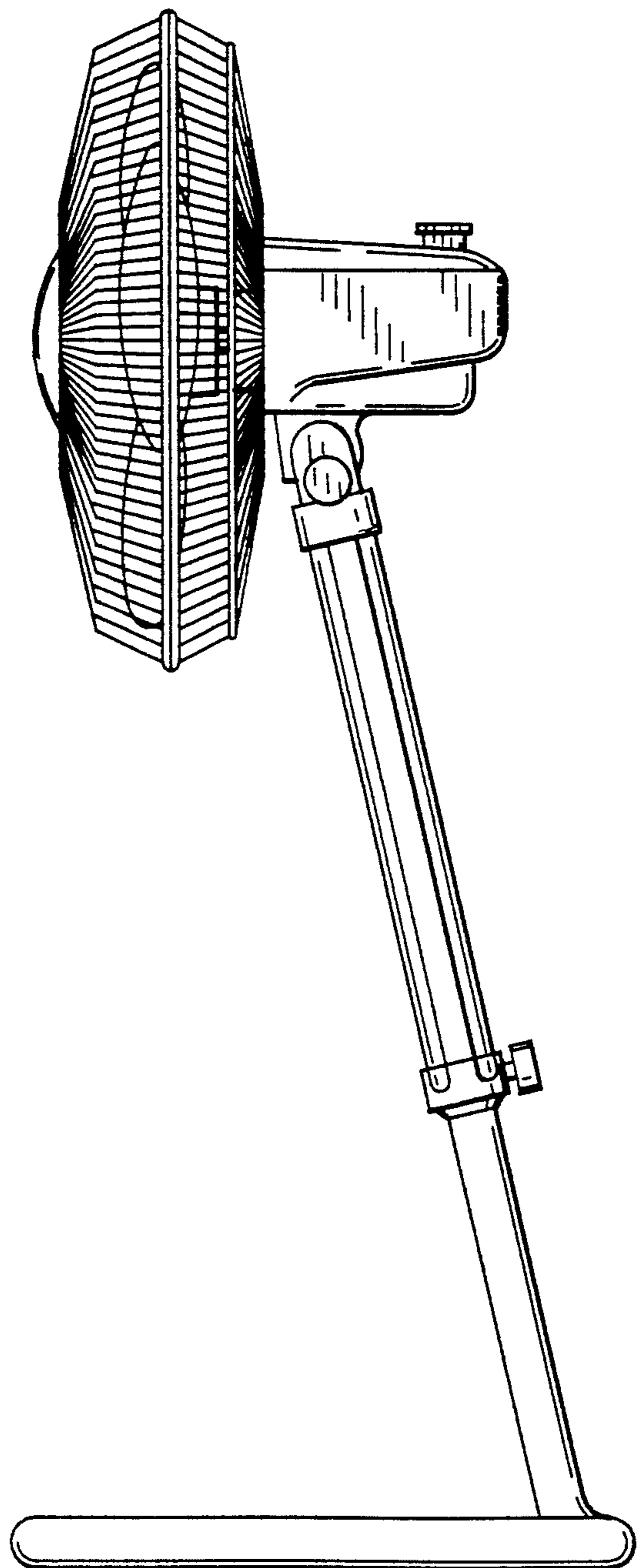


FIG. 2

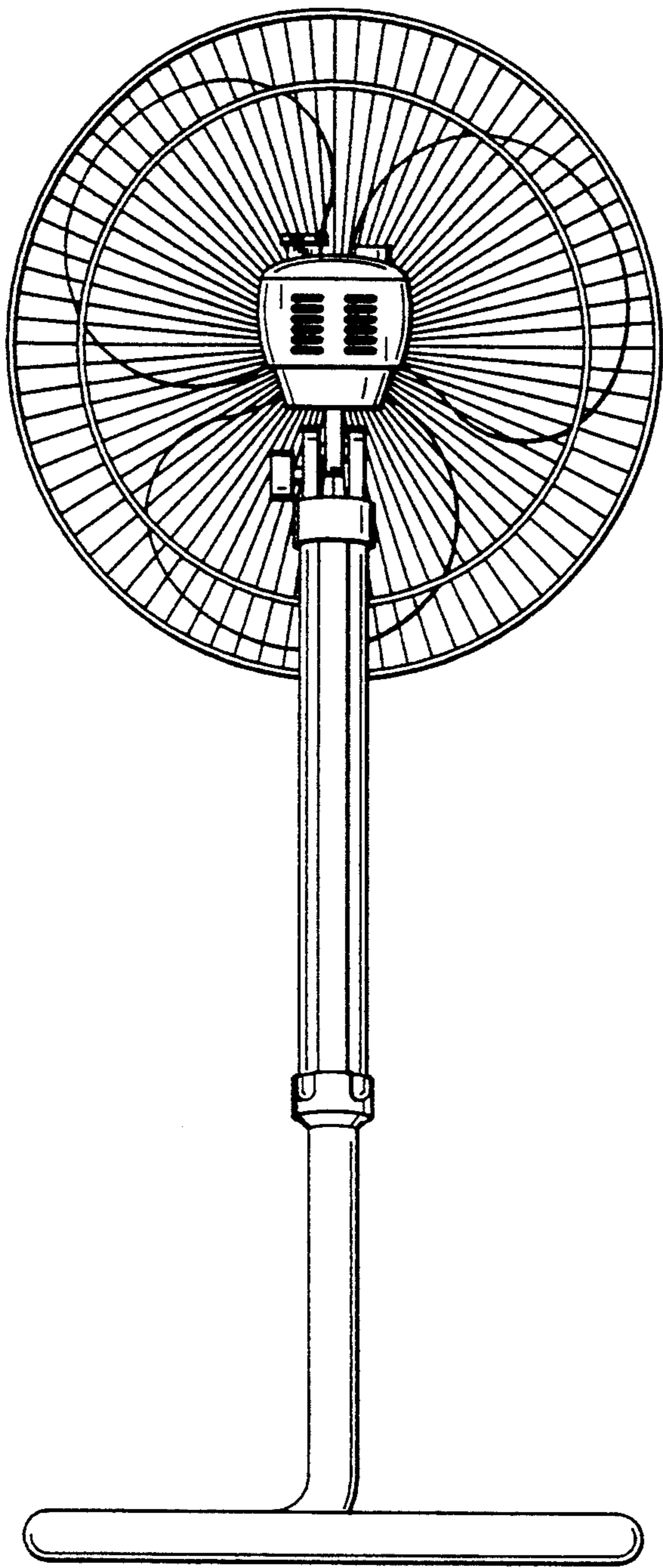


FIG. 3

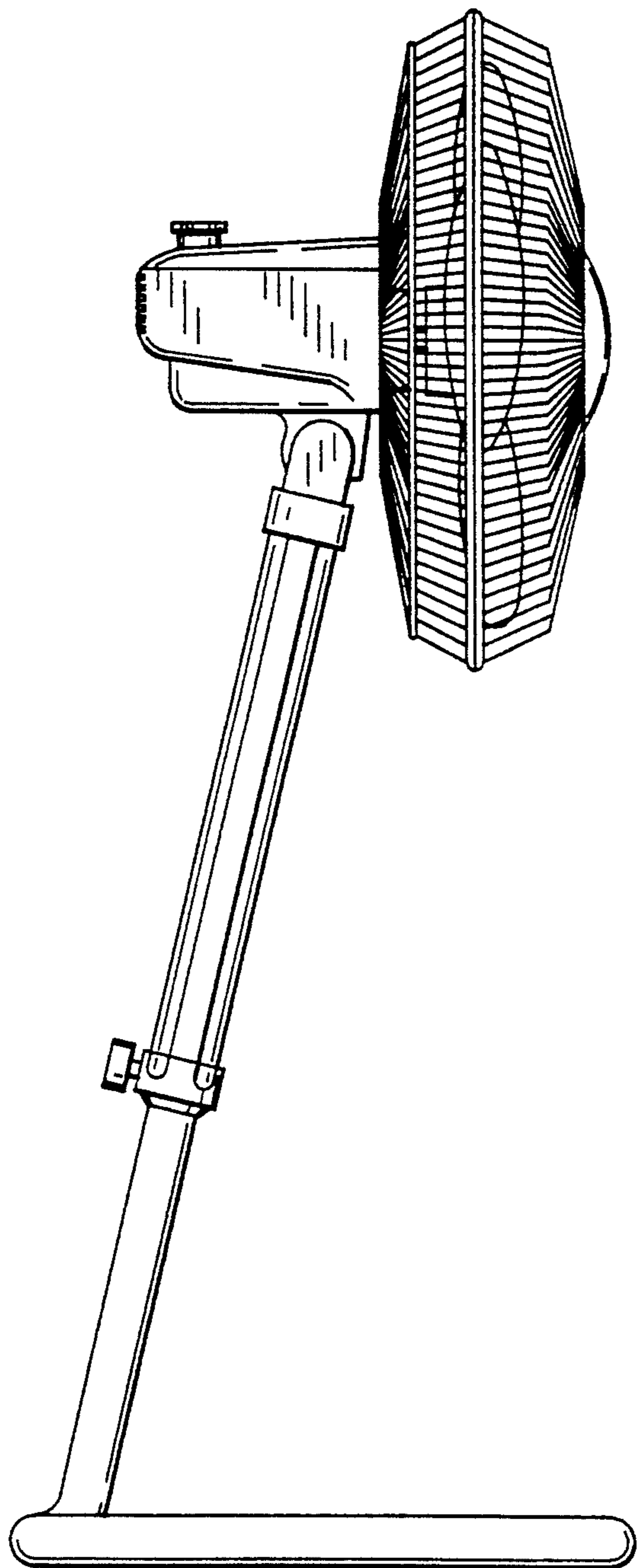


FIG. 4

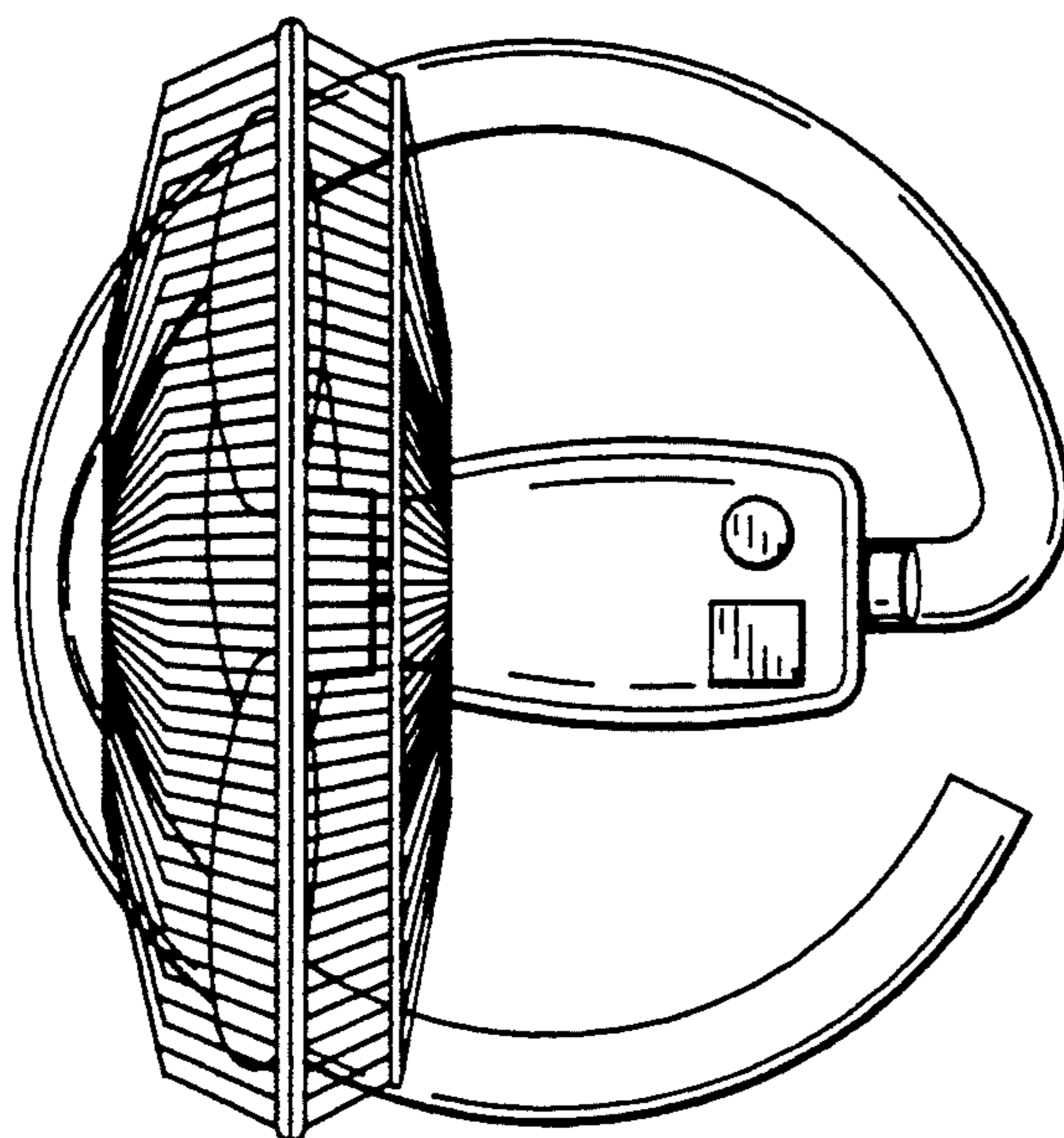


FIG. 5

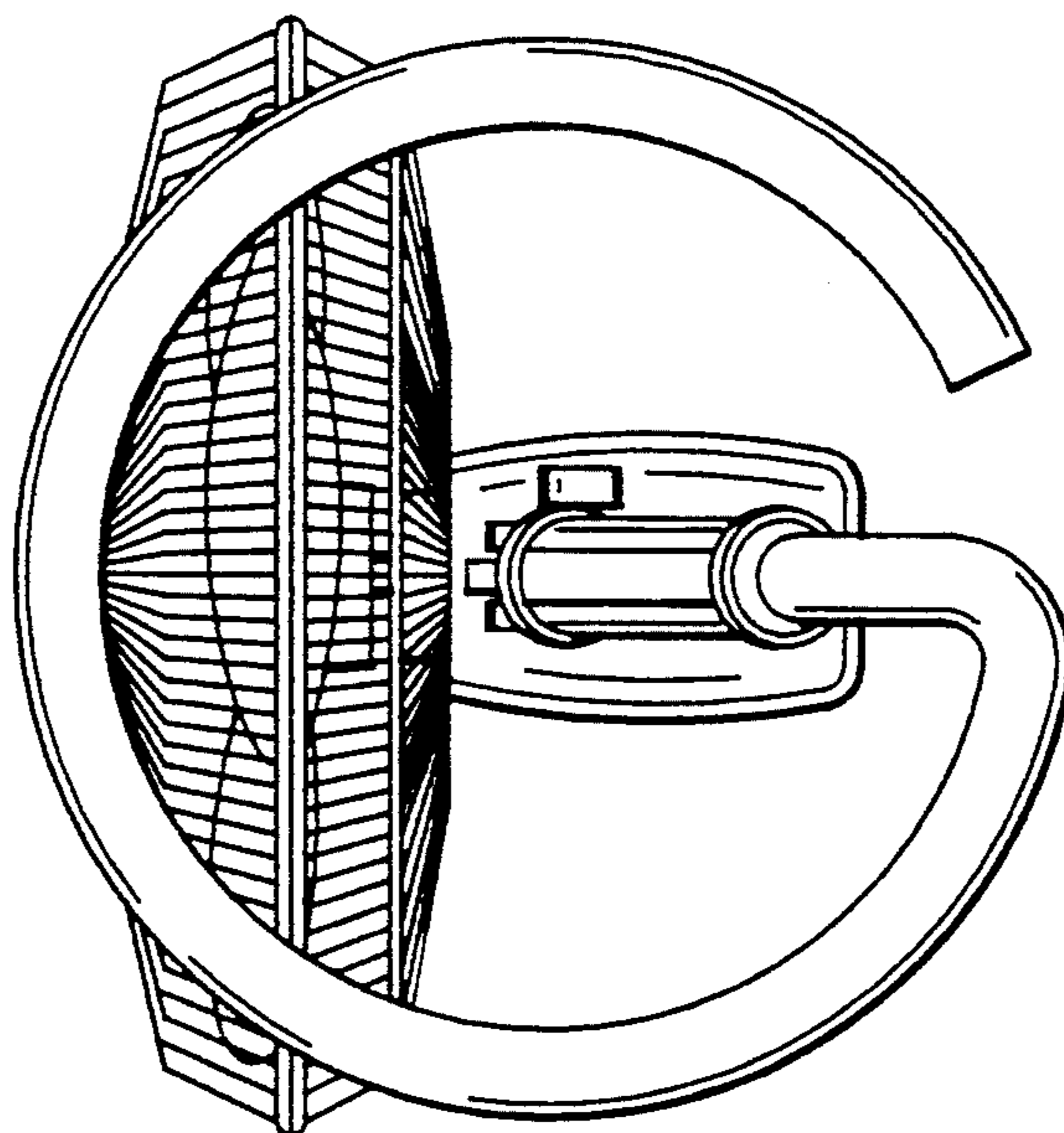


FIG. 6