



US00D341651S

United States Patent [19]

[11] Patent Number: **Des. 341,651**

Cunning

[45] Date of Patent: **** Nov. 23, 1993**

[54] FOLDABLE PORTABLE BASEBOARD HEATER

[75] Inventor: **Joseph M. Cunning, Cohasset, Mass.**

[73] Assignee: **Holmes Products Corp., Milford, Mass.**

[**] Term: **14 Years**

[21] Appl. No.: **4,120**

[22] Filed: **Jan. 27, 1993**

[52] U.S. Cl. **D23/335**

[58] Field of Search **D23/332, 335, 370, 381, D23/330, 371; 237/70, 71, 79, 76; 392/347, 352, 353**

[56] References Cited

U.S. PATENT DOCUMENTS

D. 290,498	6/1987	Beane et al.	D23/342
D. 311,951	11/1990	Dubin	D23/335
D. 320,648	10/1991	Velazquez	D23/335
2,803,734	8/1957	Germon	219/530
2,815,431	12/1957	Paley	392/353
2,904,666	9/1959	Jackson	392/344
2,976,389	3/1961	Burger et al.	392/353
2,988,626	6/1961	Buttner	392/353
3,020,382	2/1962	Harrell, Jr.	392/353
3,026,393	3/1962	Quirk	337/338
3,051,816	8/1962	Knoll et al.	392/353
3,071,677	1/1963	Mast	392/353
3,084,240	4/1963	Mast	392/353
3,147,368	9/1964	Walker	392/353
3,165,624	1/1965	Cunningham	392/353

3,223,827	12/1965	Welch, Sr.	392/353
4,149,065	4/1979	Goff et al.	392/353
4,309,593	1/1982	Jones et al.	392/376
4,467,179	8/1984	Ali et al.	392/353
4,511,786	4/1985	Jansen	392/353
4,838,151	6/1989	Shin-Chin	454/200

OTHER PUBLICATIONS

Granger's Spring '86 Cat. p. 1184, Portable electric baseboard convection heater middle right side of page. Sales literature for Flo-Aire baseboard heaters Model Nos. FL-45, FL-40A and FL-40, Patton Electric Co., Inc., filed prior to Jan. 27, 1993.

Primary Examiner—Wallace R. Burke
Assistant Examiner—Lisa Lichenstein
Attorney, Agent, or Firm—Kriegsman & Kriegsman

[57] CLAIM

The ornamental design for a foldable portable baseboard heater, as shown and described.

DESCRIPTION

FIG. 1 is a front, top perspective view of a foldable portable baseboard heater showing my new design, the foldable portable baseboard heater being shown partially folded;

FIG. 2 is a front elevational view thereof, unfolded;

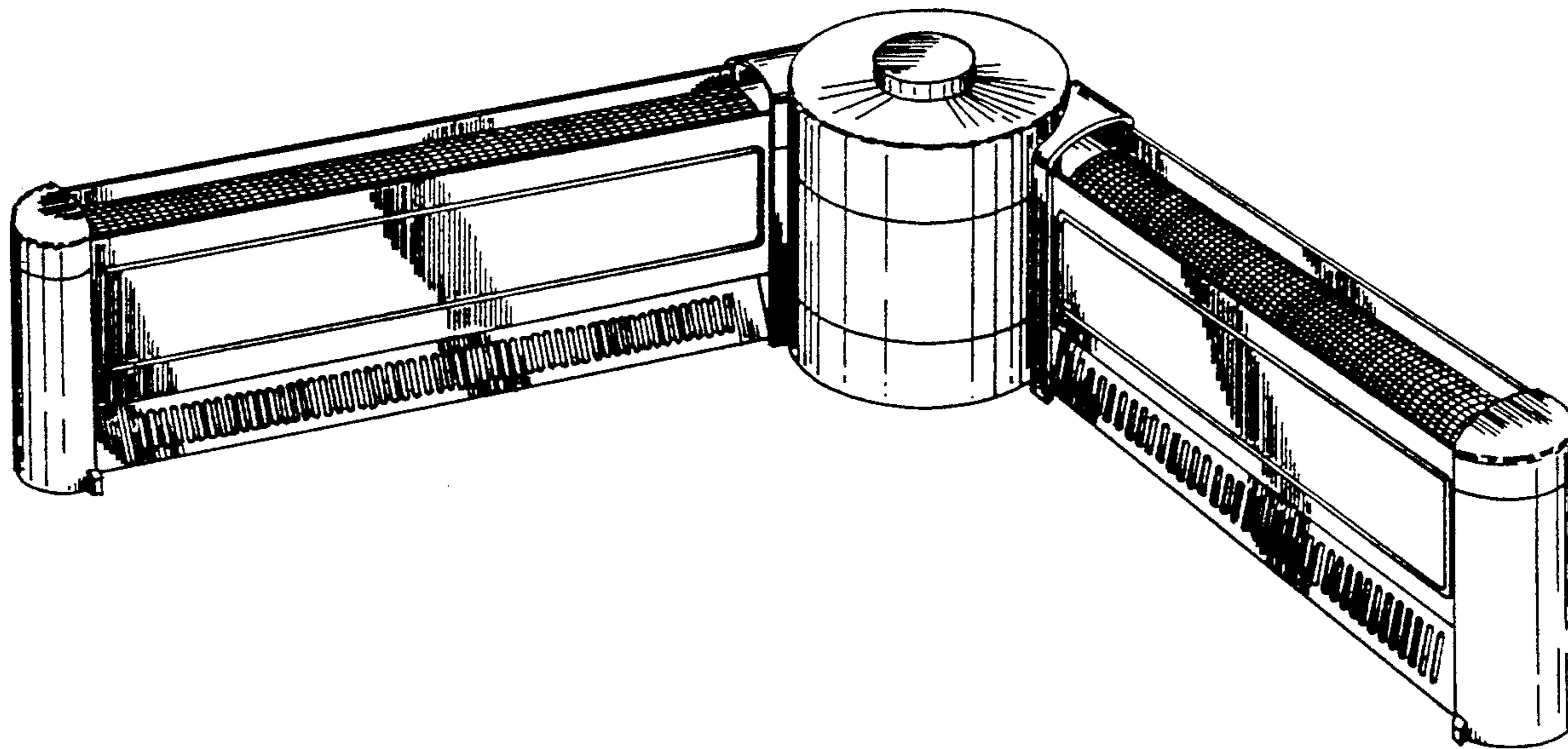
FIG. 3 is a rear elevational view thereof, unfolded;

FIG. 4 is a right side elevational view thereof, unfolded;

the left side being a mirror image of that shown;

FIG. 5 is a top plan view thereof, unfolded; and,

FIG. 6 is a bottom plan view thereof, unfolded.



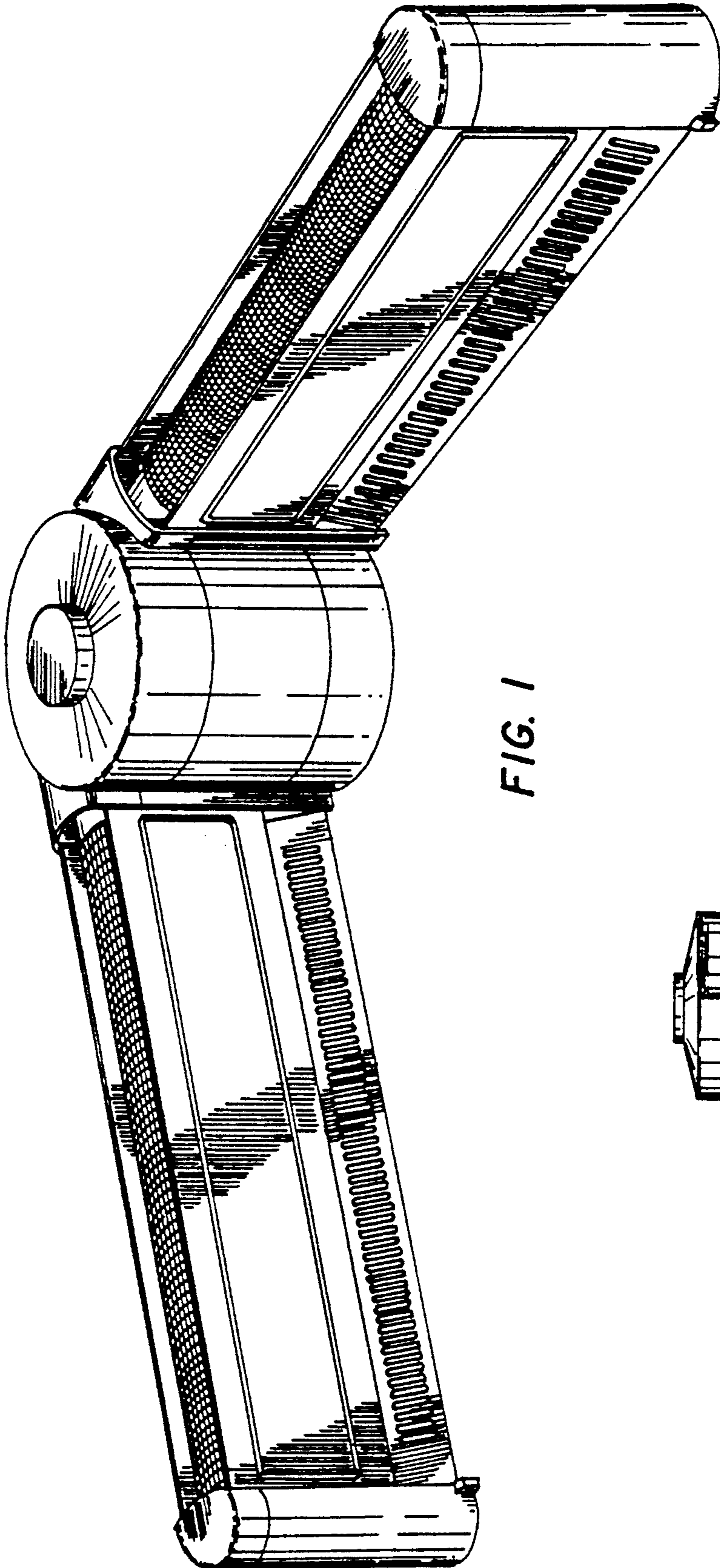


FIG. 1

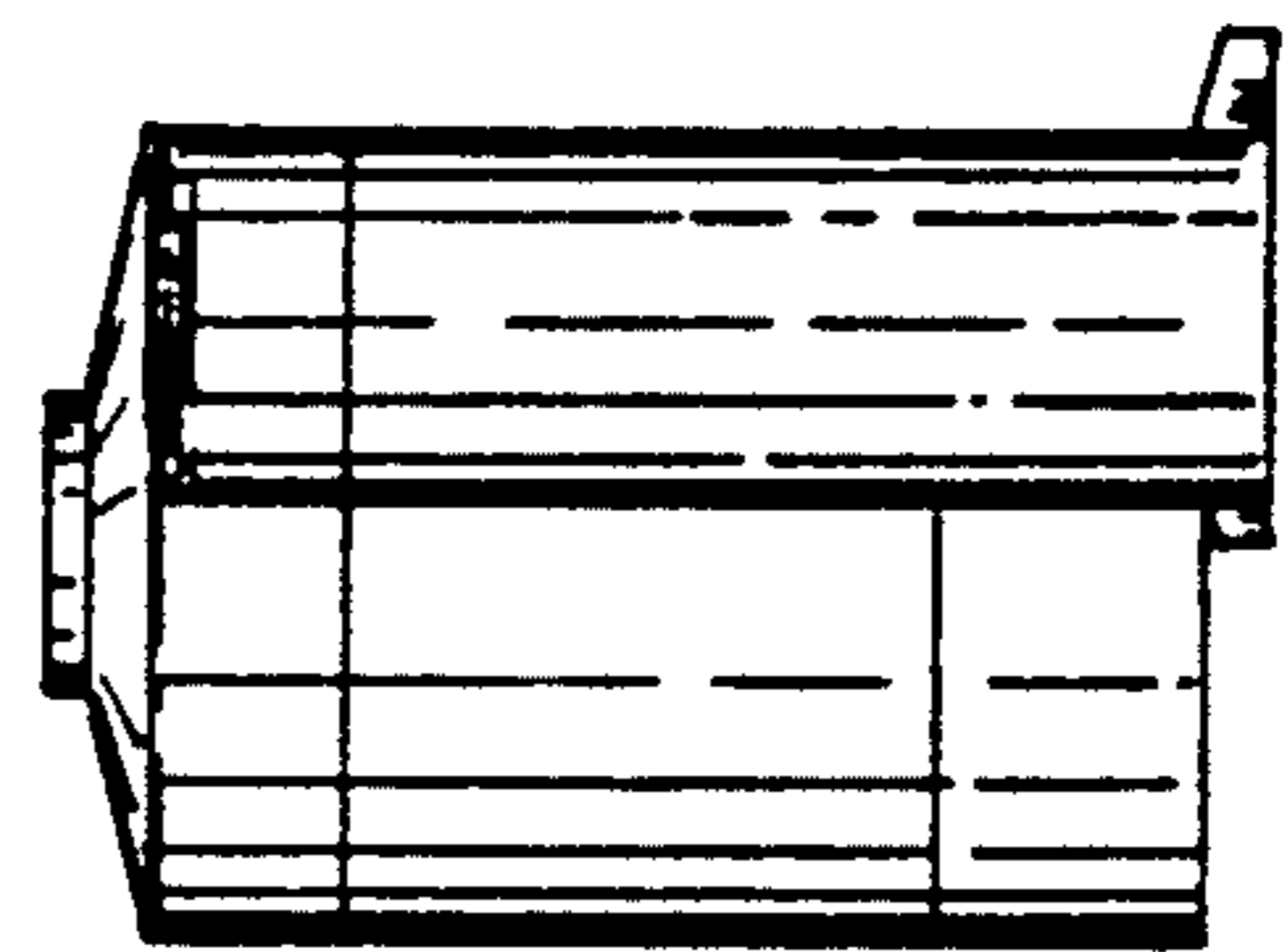


FIG. 4

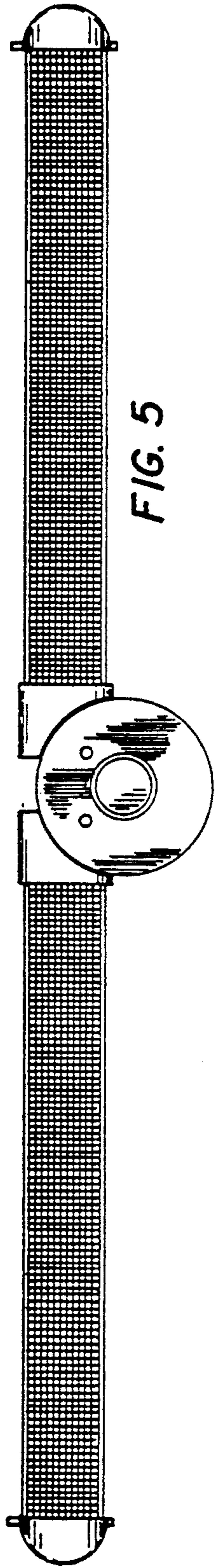


FIG. 5

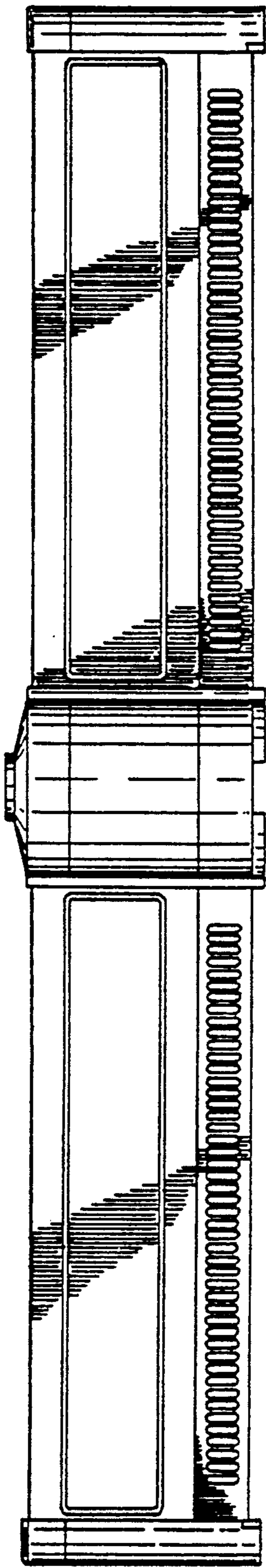


FIG. 2

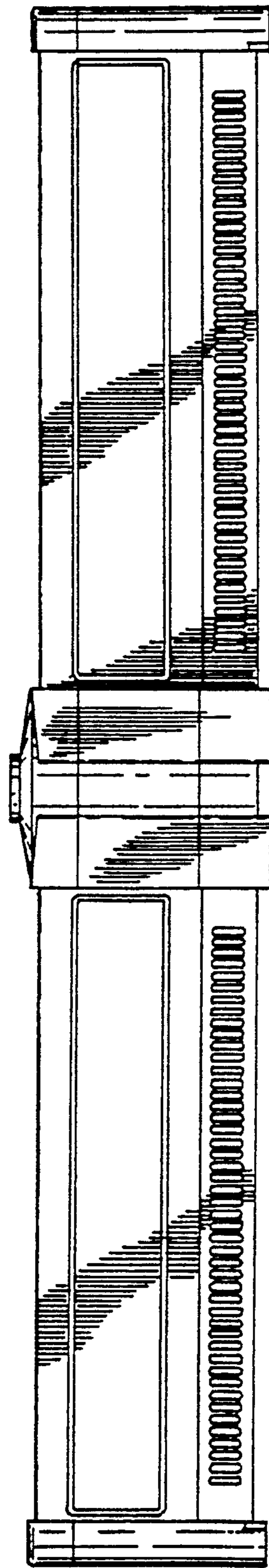


FIG. 3

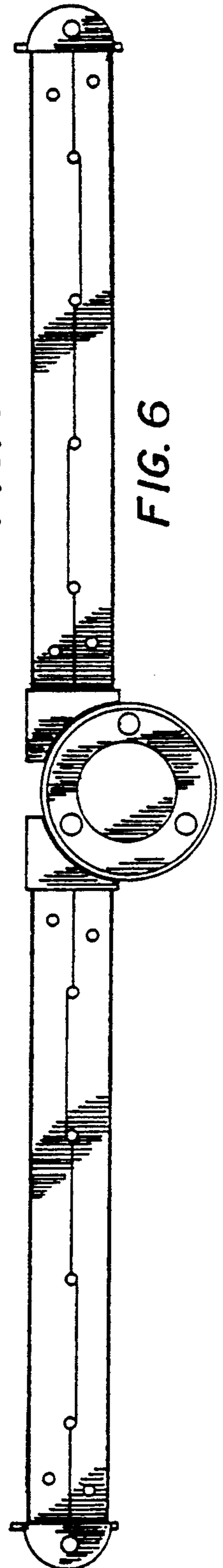


FIG. 6