



US00D341649S

United States Patent [19]

Wagner

[11] Patent Number: **Des. 341,649**

[45] Date of Patent: **** Nov. 23, 1993**

- [54] LAVATORY BOWL
- [75] Inventor: **Sherle Wagner, New York, N.Y.**
- [73] Assignee: **Sherle Wagner International, Inc., New York, N.Y.**
- [**] Term: **14 Years**
- [21] Appl. No.: **692,029**
- [22] Filed: **Apr. 26, 1991**
- [52] U.S. Cl. **D23/285**
- [58] Field of Search **D23/271-275, D23/284-294; 4/619, 630-636, 639, 640, 642, 650-660**

- D. 261,929 11/1981 Primault D23/292
- D. 288,353 2/1987 Smith D23/285
- D. 288,354 2/1987 Smith D23/285

Primary Examiner—James R. Largen
Attorney, Agent, or Firm—Edgar A. Zarins; Malcolm L. Sutherland

[57] CLAIM

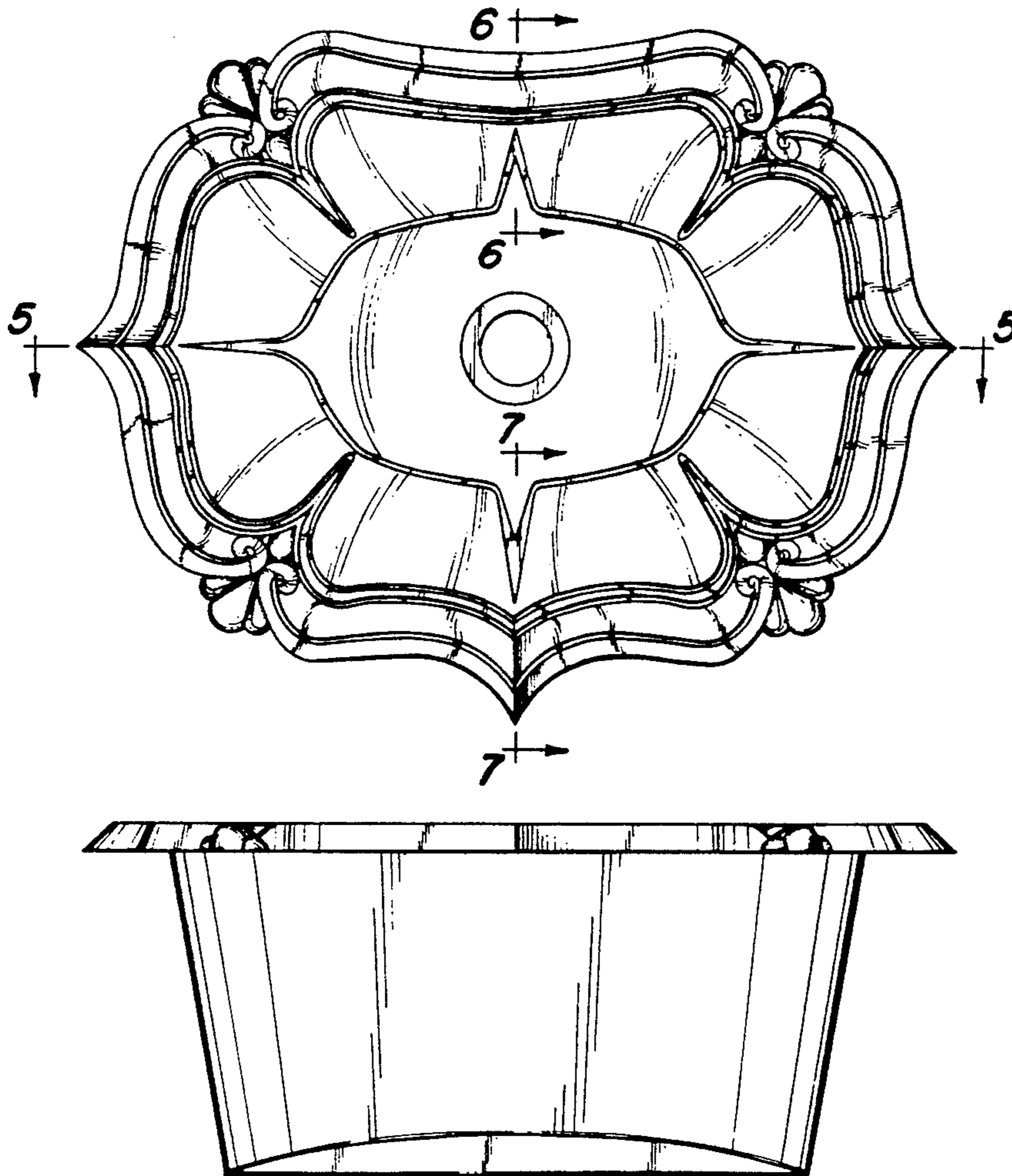
The ornamental design for a lavatory bowl, as shown and described.

DESCRIPTION

FIG. 1 is a top plan view of a lavatory bowl showing my new design;
 FIG. 2 is a front elevational view thereof;
 FIG. 3 is a left side elevational view thereof, the right side being a mirror image of the left side;
 FIG. 4 is a rear elevational view thereof;
 FIG. 5 is a cross-sectional view taken along line 5—5 of FIG. 1;
 FIG. 6 is a cross-sectional view taken along line 6—6 of FIG. 1; and,
 FIG. 7 is a cross-sectional view taken along line 7—7 of FIG. 1.

[56] **References Cited**
U.S. PATENT DOCUMENTS

- D. 78,257 4/1929 Bonner, Jr. D23/292 X
- D. 213,558 3/1969 Colborn D23/285
- D. 216,310 12/1969 Fortuno D23/285
- D. 241,846 10/1976 Ribits et al. D23/285
- D. 242,859 12/1976 Gruber D23/285
- D. 243,325 2/1977 Krause et al. D23/285
- D. 260,551 9/1981 Tang D23/294



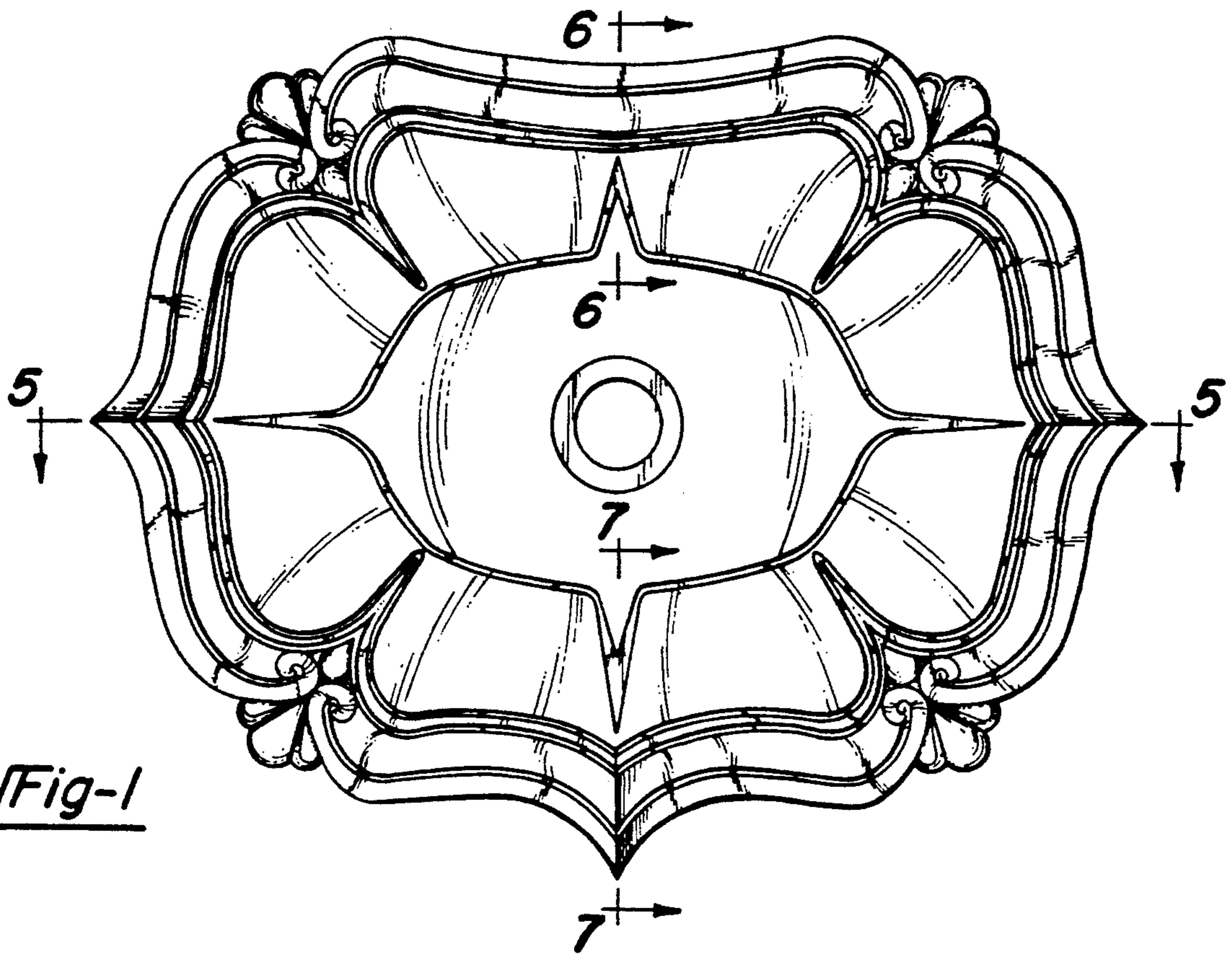


Fig-1

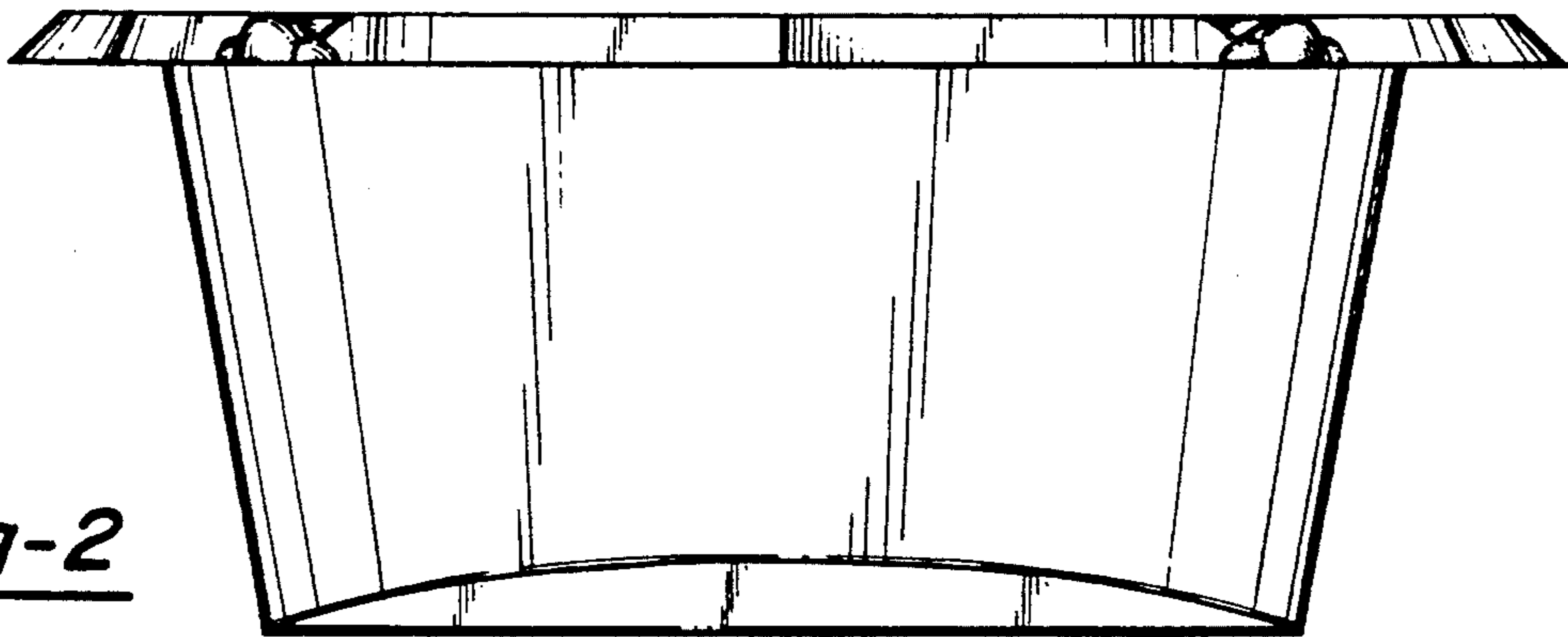


Fig-2

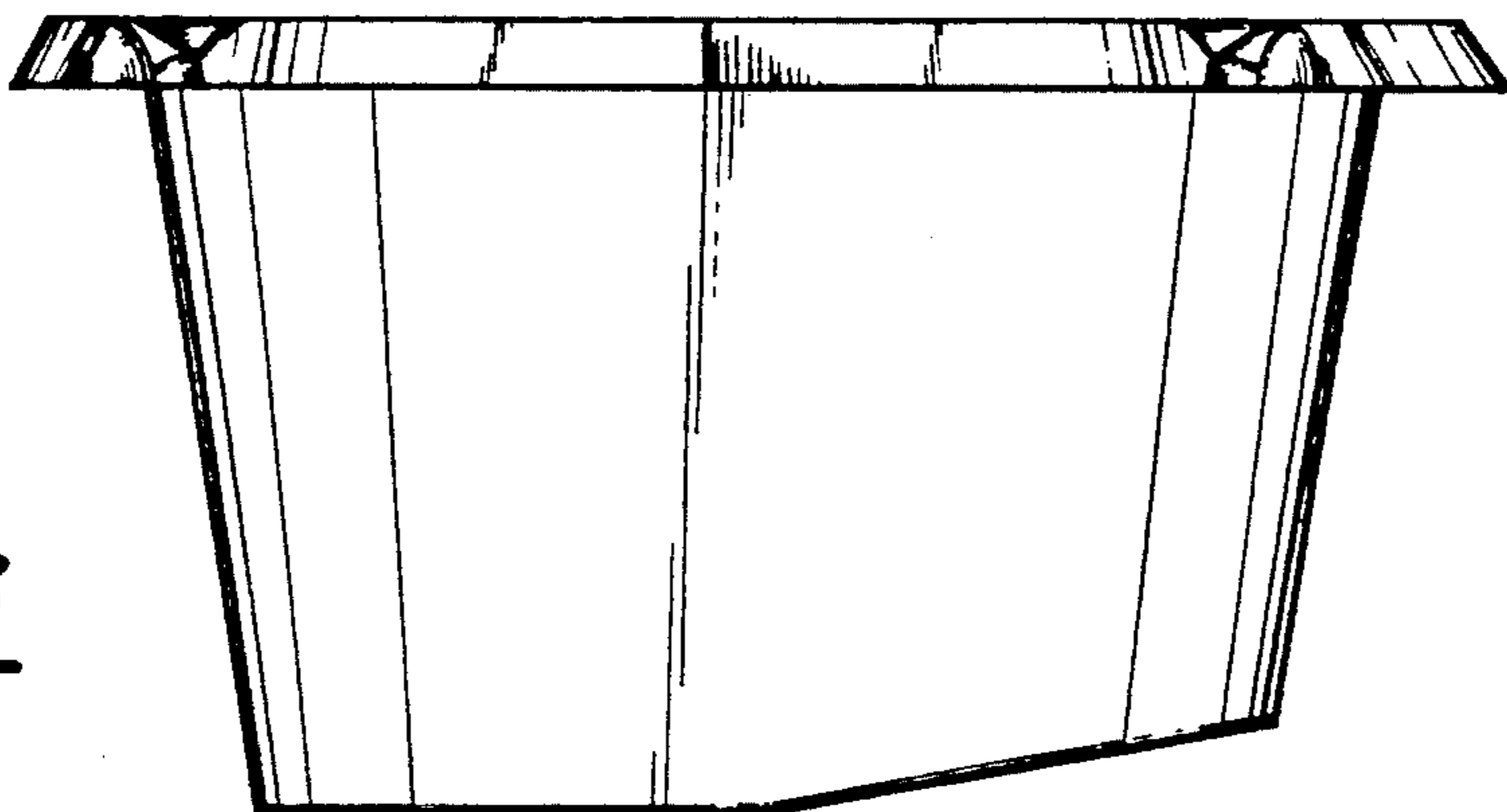


Fig-3

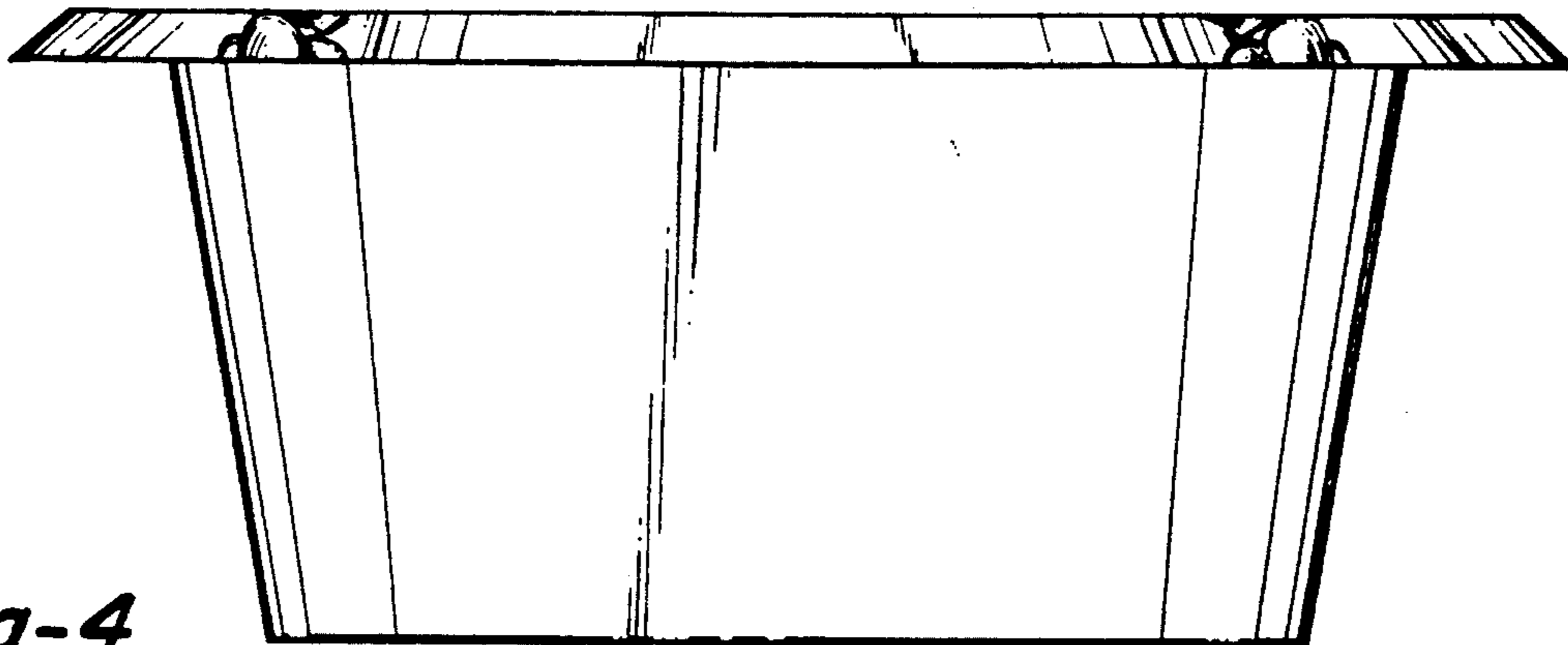


Fig-4

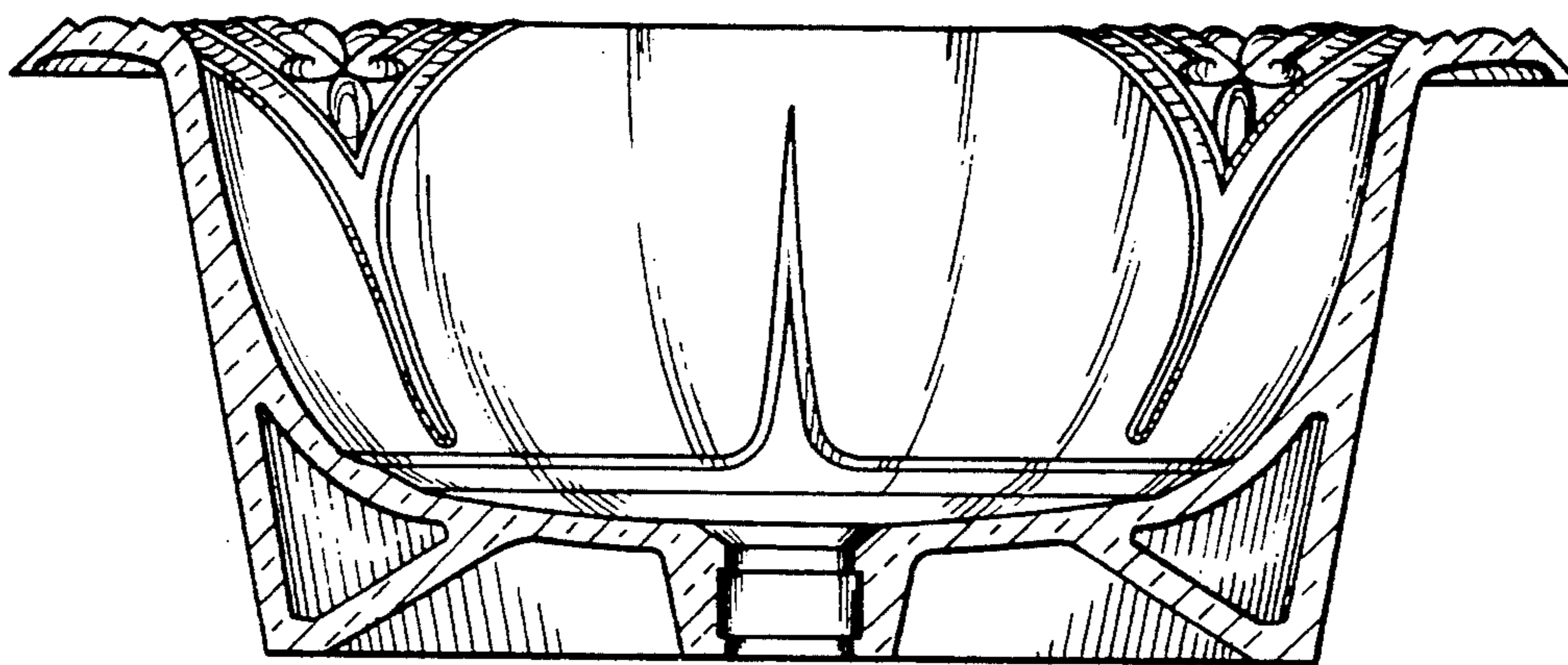


Fig-5

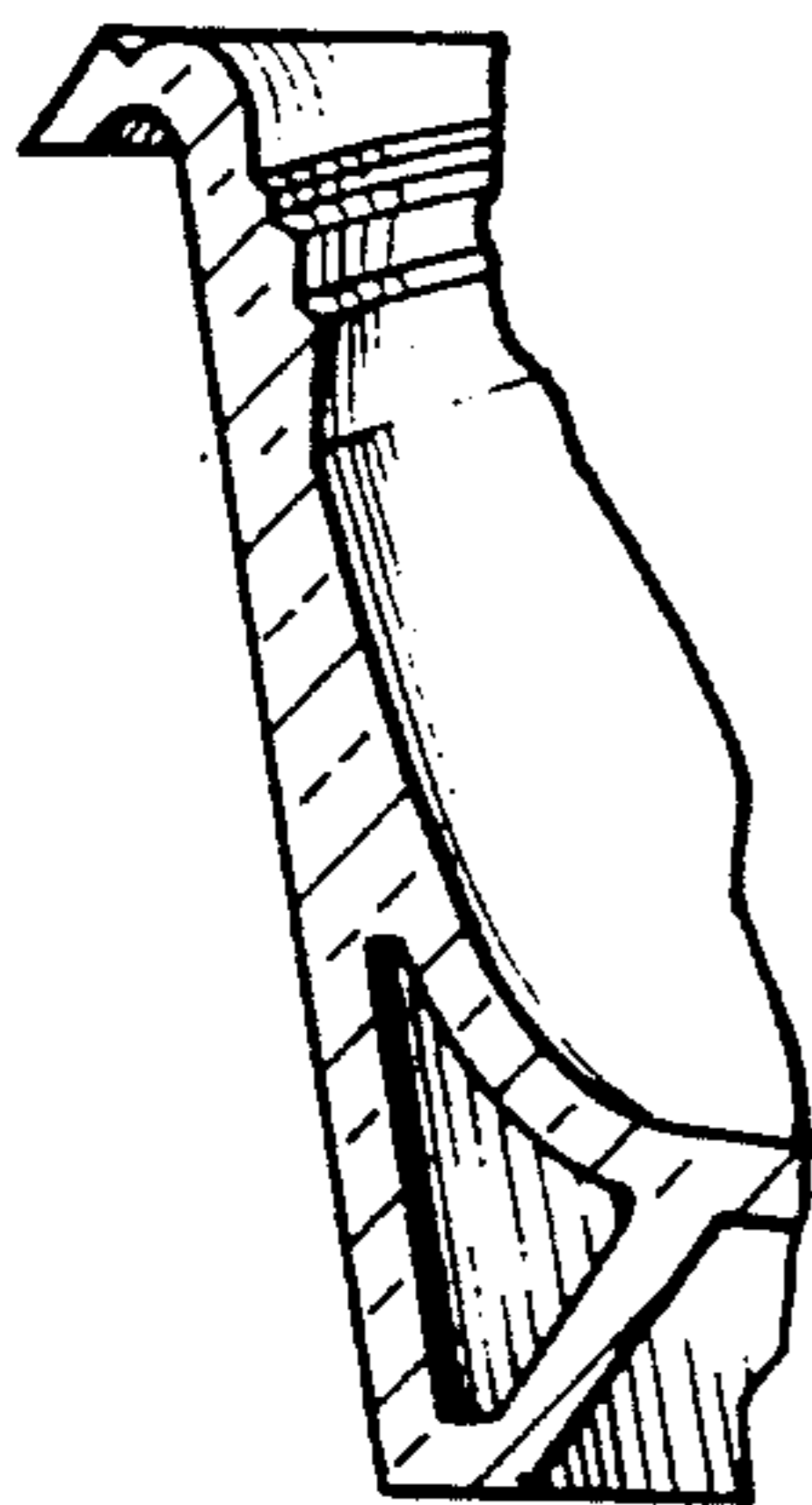


Fig-6

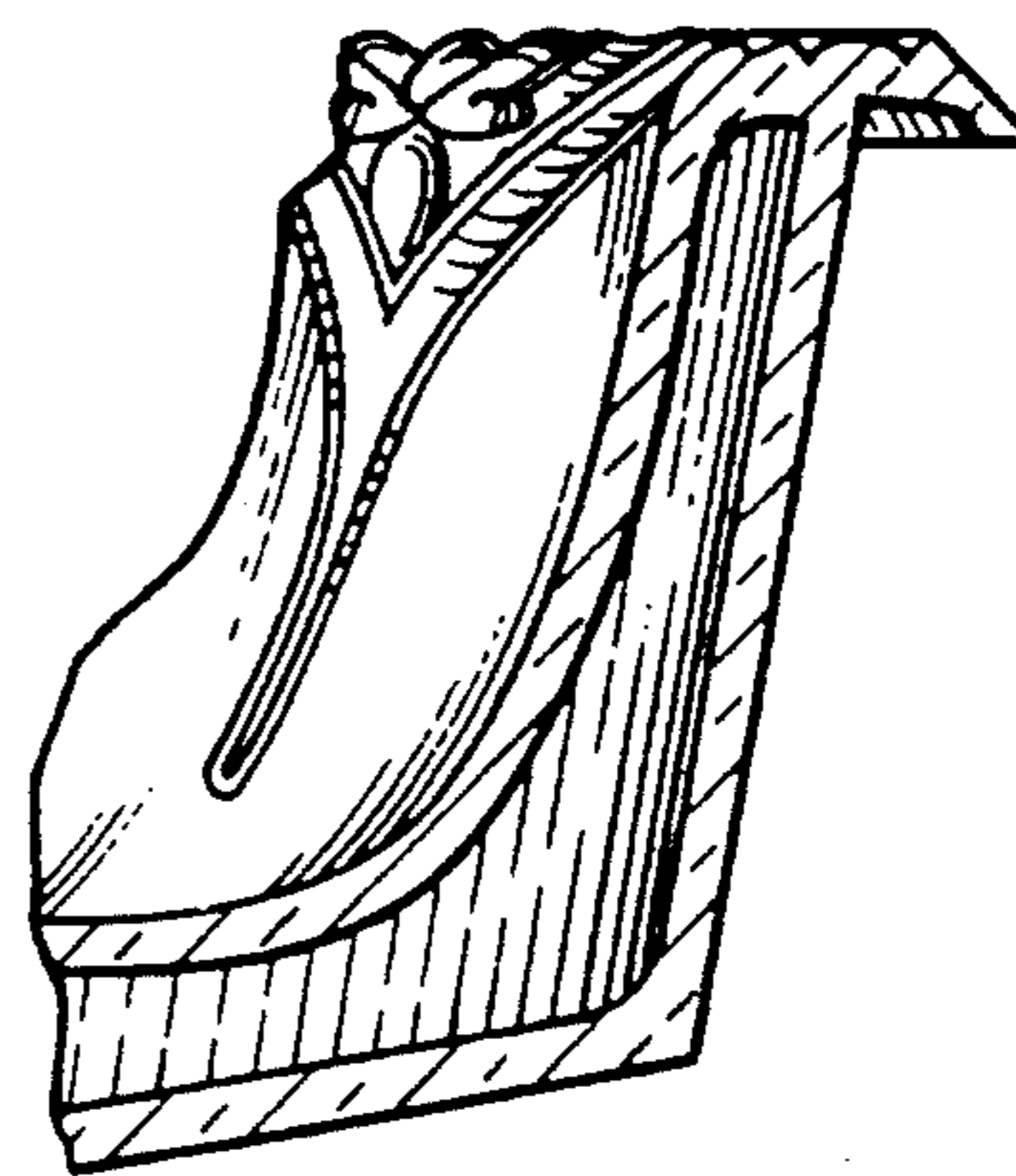


Fig-7