



US00D341647S

# United States Patent [19] Bengtson

[11] Patent Number: **Des. 341,647**

[45] Date of Patent: **\*\* Nov. 23, 1993**

## [54] SHOWERHEAD

[75] Inventor: **Alan D. Bengtson, Sheboygan, Wis.**

[73] Assignee: **Kohler Co., Kohler, Wis.**

[\*\*] Term: **14 Years**

[21] Appl. No.: **826,272**

[22] Filed: **Jan. 22, 1992**

### Related U.S. Application Data

[63] Continuation-in-part of Ser. No. 743,551, Aug. 9, 1991, abandoned.

[52] U.S. Cl. .... **D23/213**

[58] Field of Search ..... **D23/213, 223-229; 4/567-570, 599-603, 615, 675-678; 239/280-281, 282-283, 288.5, 310, 381, 383, 443-449, 456-460, 525, 550-552, 556-559, 562-565, 567, 581.1, 586-588**

### [56] References Cited

#### U.S. PATENT DOCUMENTS

D. 208,526	9/1967	Delamater	.....	D23/213
D. 295,889	5/1988	Haug et al.	.....	D23/229
D. 296,002	5/1988	Haug et al.	.....	D23/229
D. 313,833	1/1991	Presman	.....	D23/313
D. 314,608	2/1991	Presman	.....	D23/213
D. 315,191	3/1991	Mikol	.....	D23/213
D. 315,393	3/1991	Presman	.....	D23/213
D. 323,545	1/1992	Ward	.....	D23/213
4,117,979	10/1978	Lagarelli et al.	.....	239/381
4,346,844	8/1982	Harmony	.....	239/383
4,588,130	5/1986	Trenary et al.	.....	238/381

## OTHER PUBLICATIONS

Catalog showing a showerhead.

Pp. from a catalog published by Kohler Co. in 1989 showing several different styles of showerheads.

P. from a Kohler catalog showing several different styles of showerheads.

*Primary Examiner*—Wallace R. Burke

*Assistant Examiner*—M. H. Tung

*Attorney, Agent, or Firm*—Quarles & Brady

## [57] CLAIM

The ornamental design for a showerhead, as shown and described.

## DESCRIPTION

FIG. 1 is a perspective view taken from the bottom, rear and left side of a showerhead showing our new design;

FIG. 2 is a left side elevation view thereof, the right side elevation view being a mirror image of the left side shown;

FIG. 3 is a front elevation view thereof;

FIG. 4 is a rear elevation view thereof;

FIG. 5 is a left side elevation view of a second embodiment of the present invention, the right side elevation view being a mirror image of the left side shown, and the rear elevation being shown in FIG. 4;

FIG. 6 is a front elevation view of the showerhead shown in FIG. 5;

FIG. 7 is a left side elevation view of a third embodiment of the present invention, the right side elevation view being a mirror image of the left side shown, and the rear elevation being shown in FIG. 4; and,

FIG. 8 is a front elevation view of the showerhead shown in FIG. 7 with a patterned front surface.

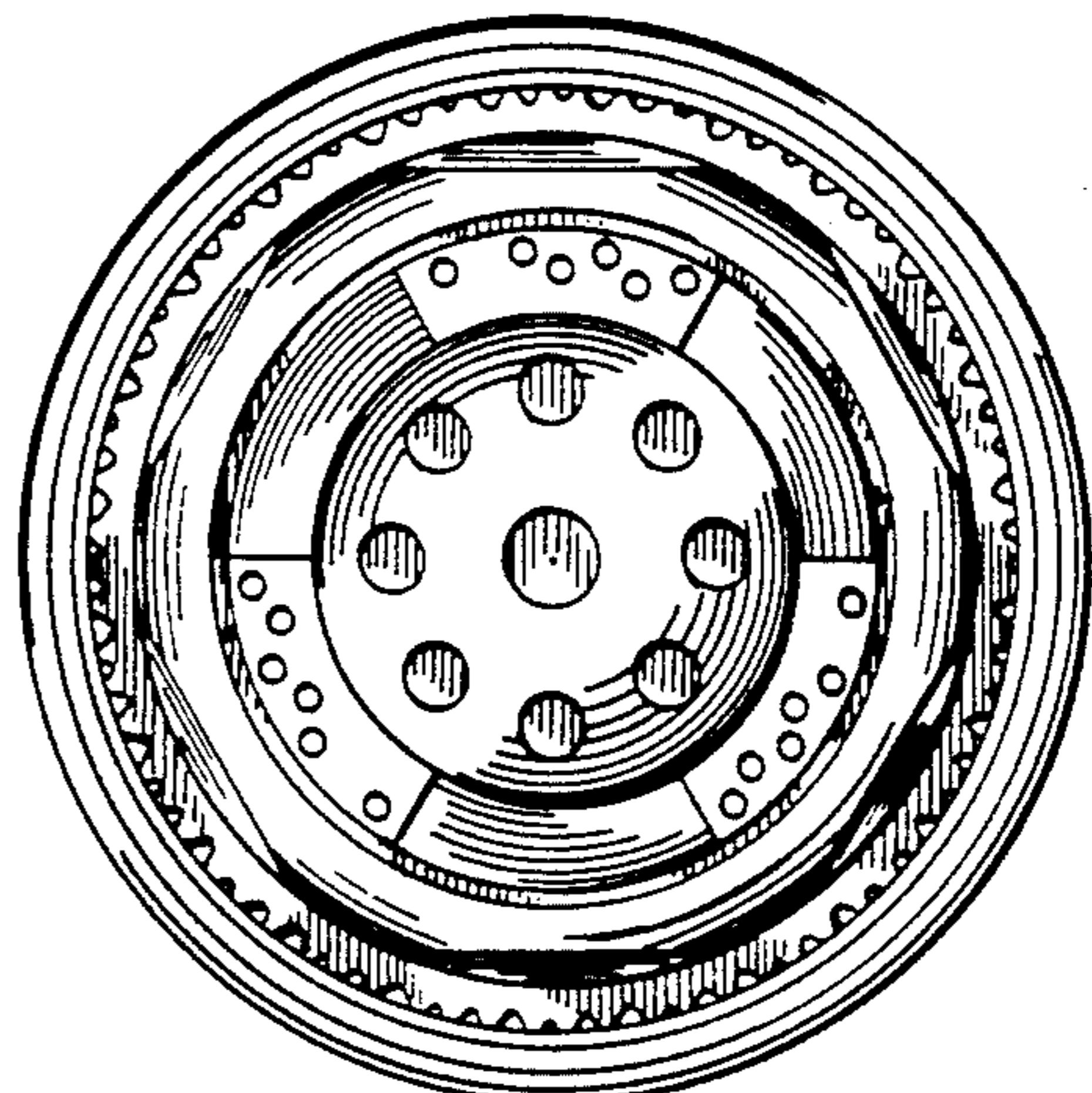
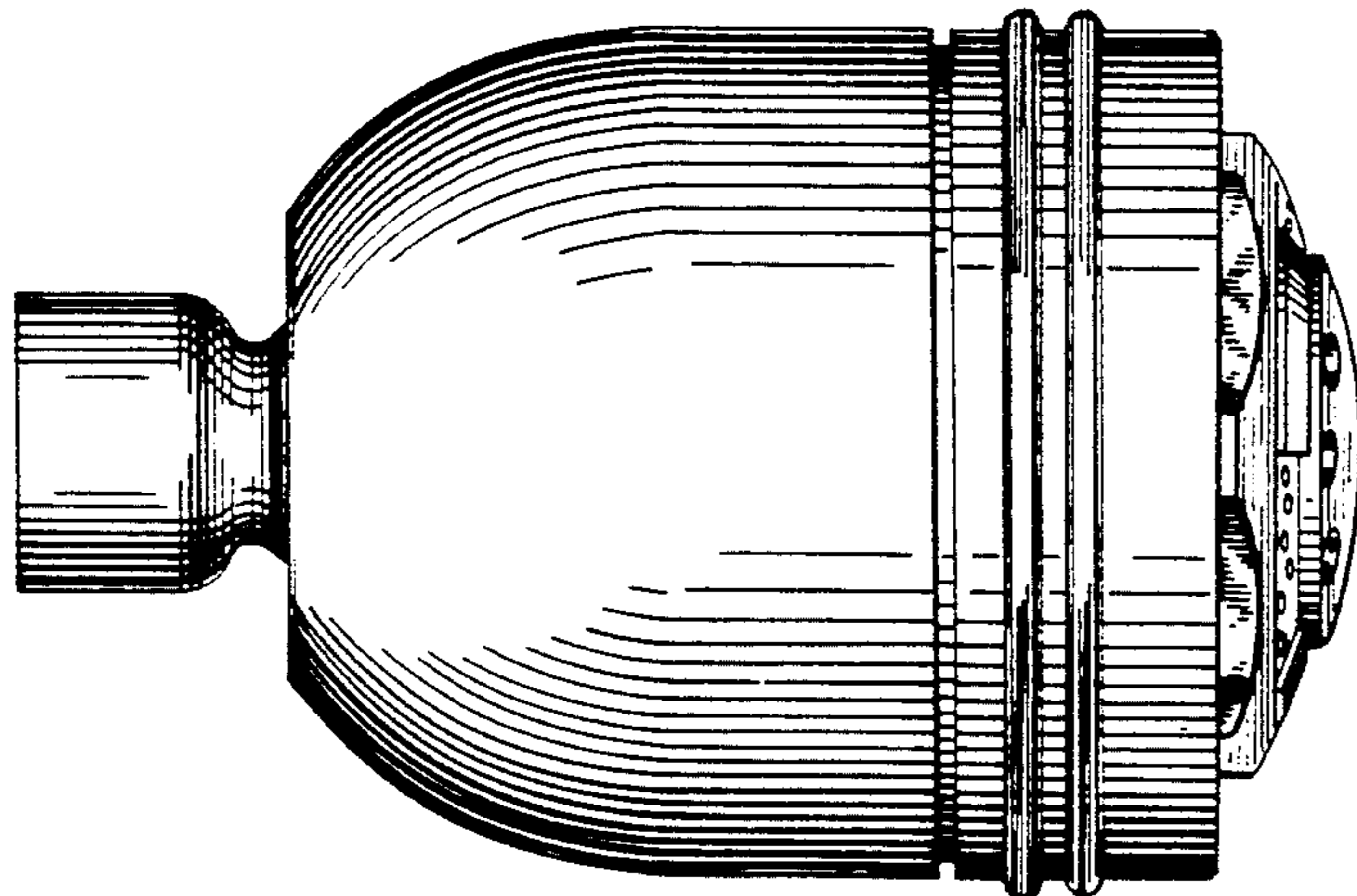


FIG. 1

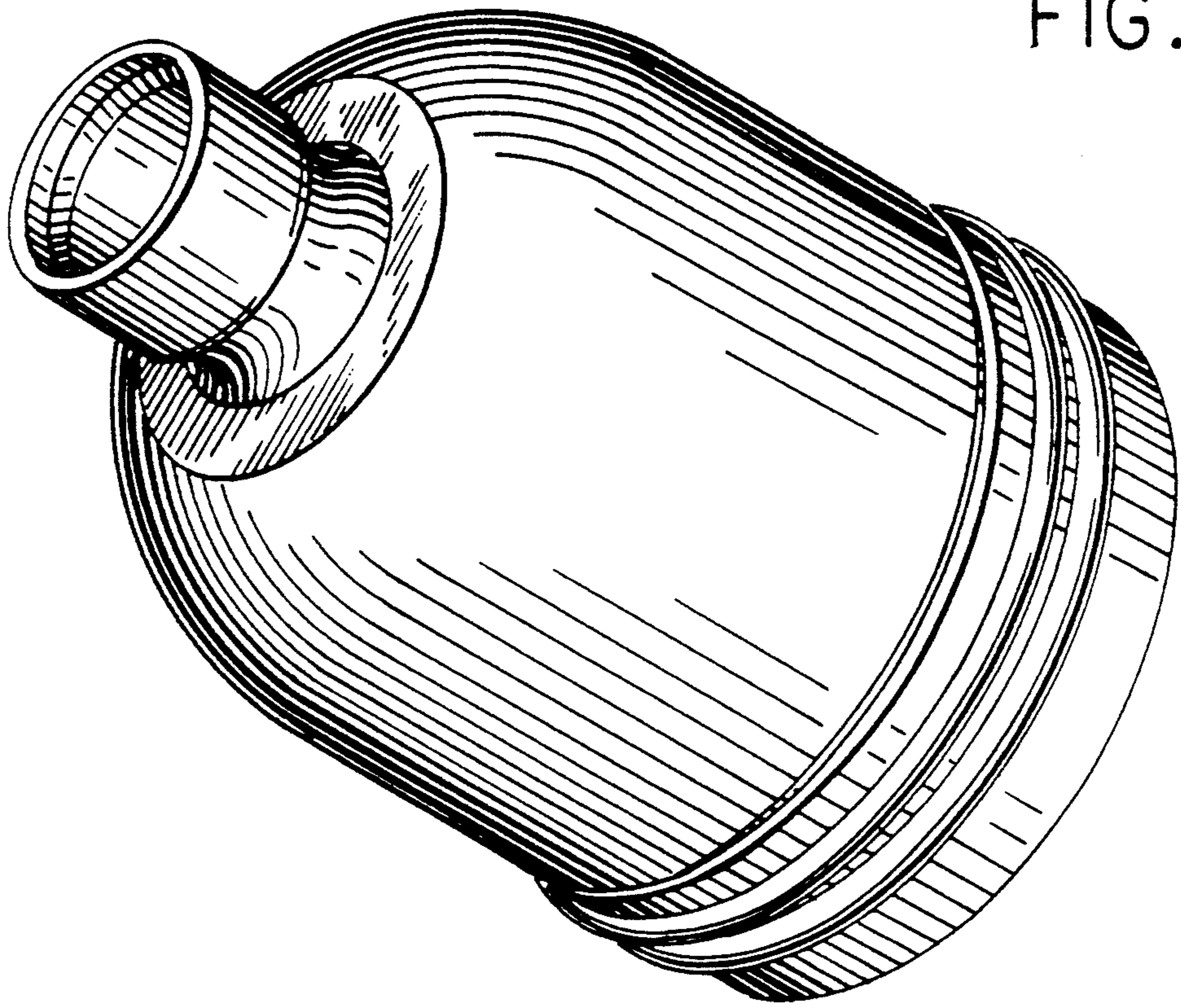
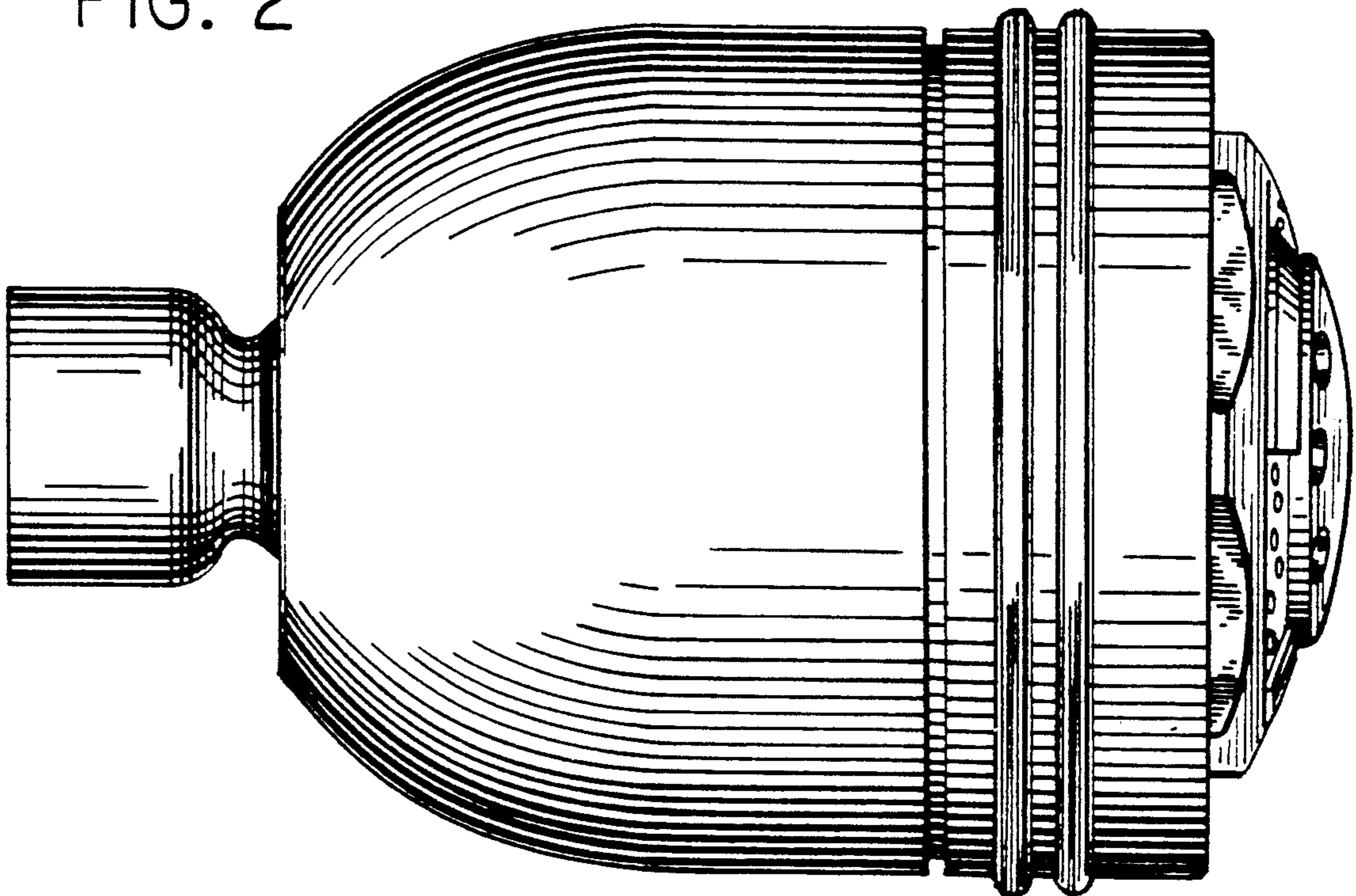


FIG. 2





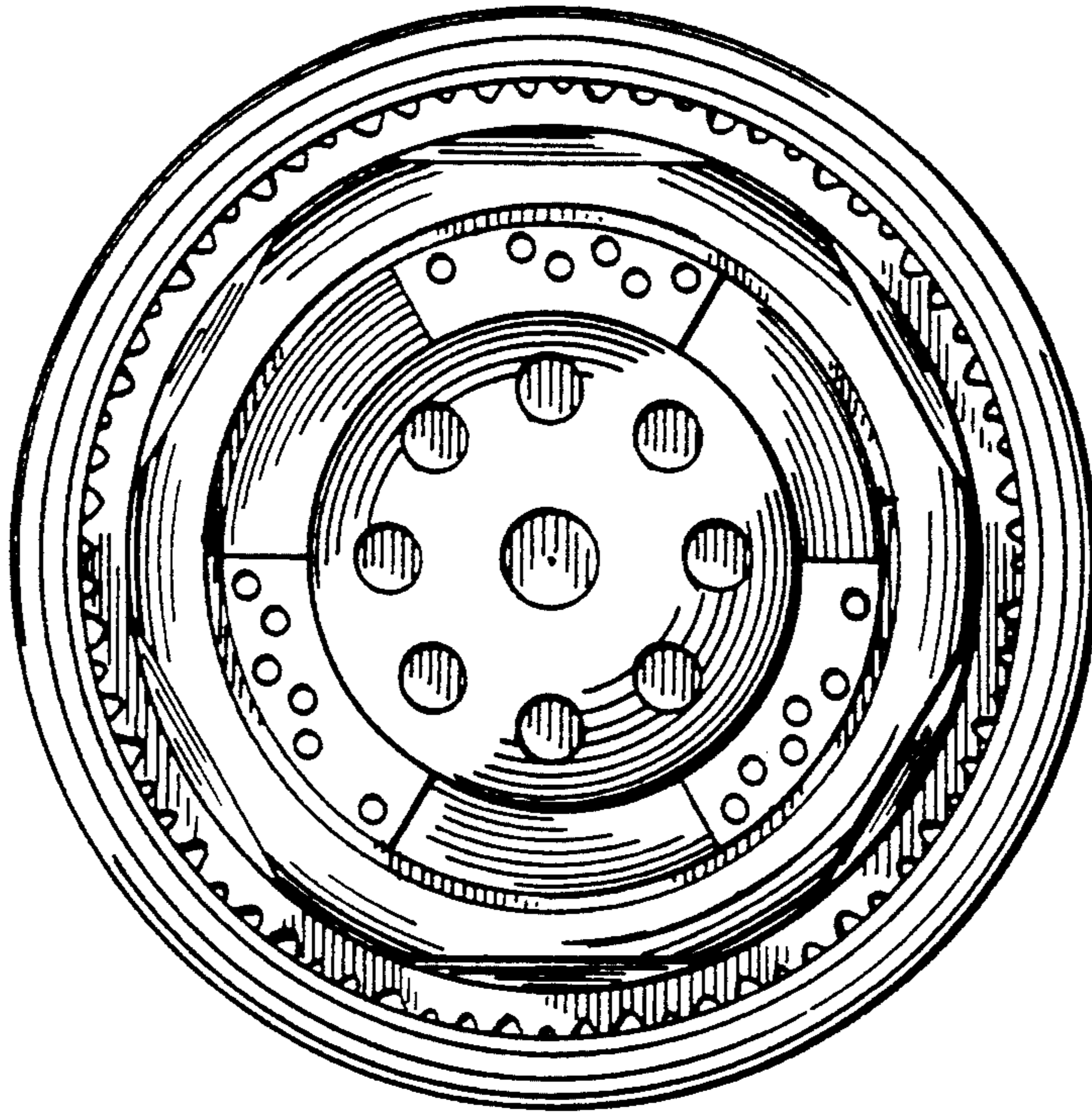


FIG. 3

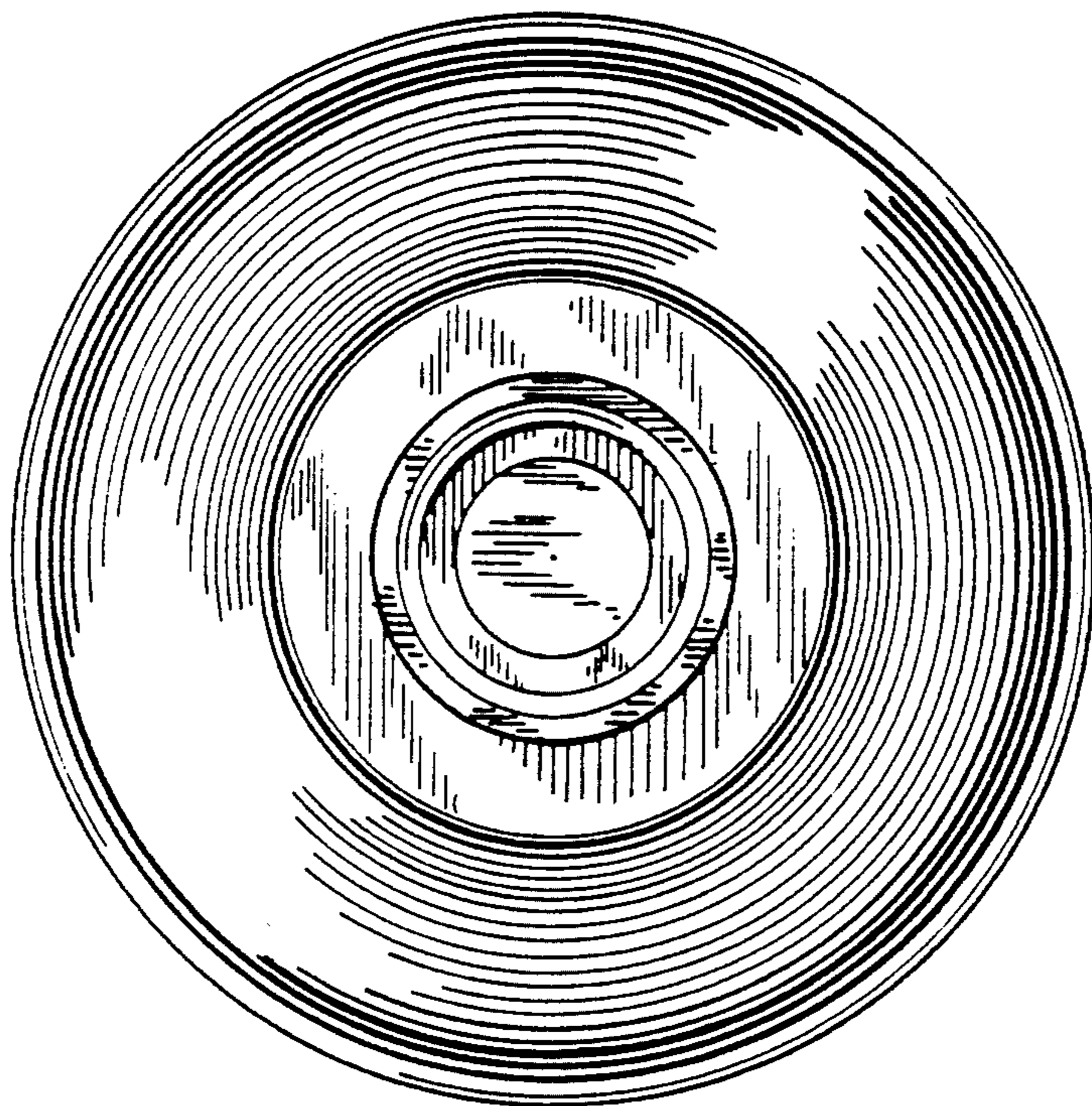


FIG. 4

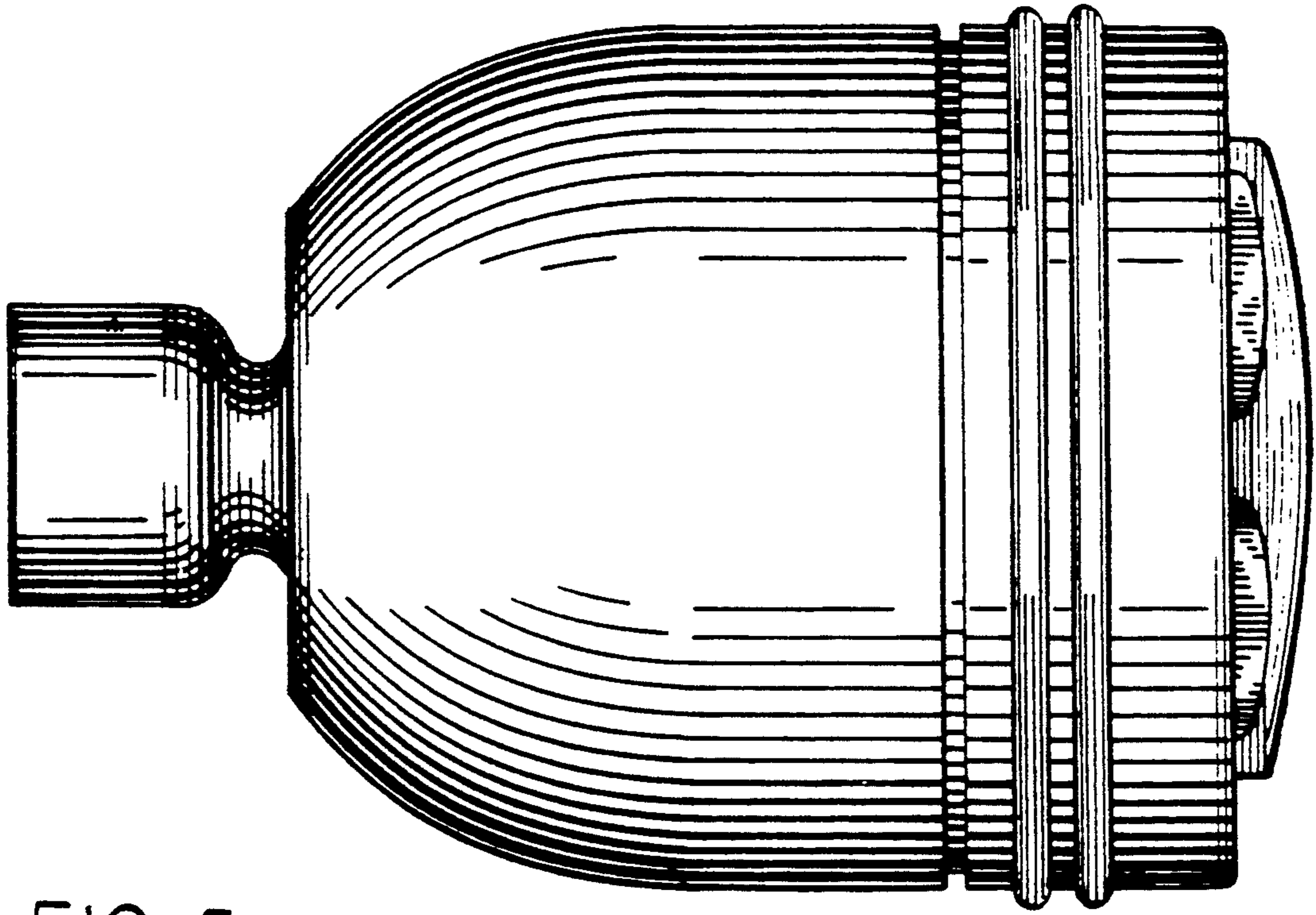


FIG. 5

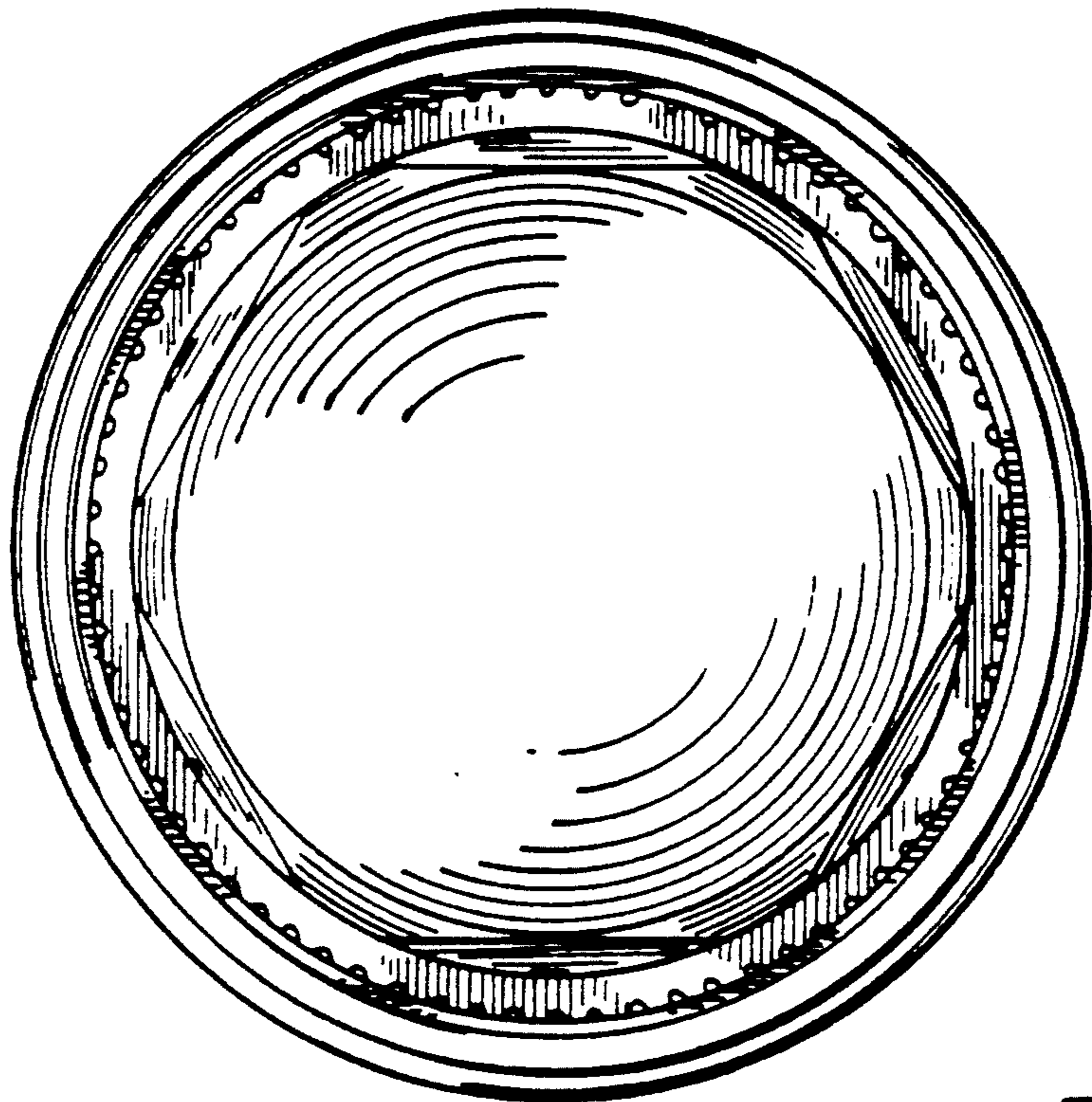


FIG. 6



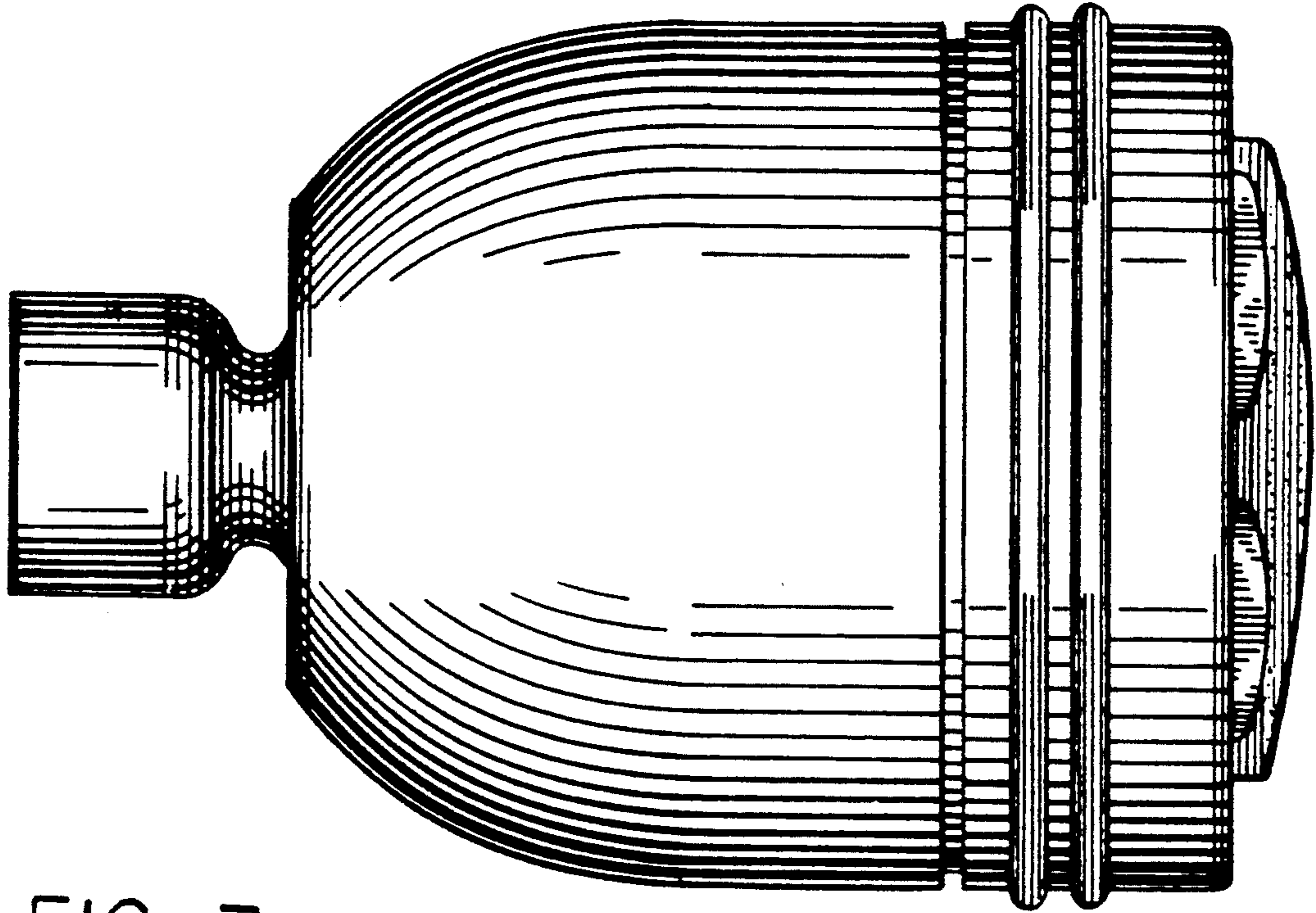


FIG. 7

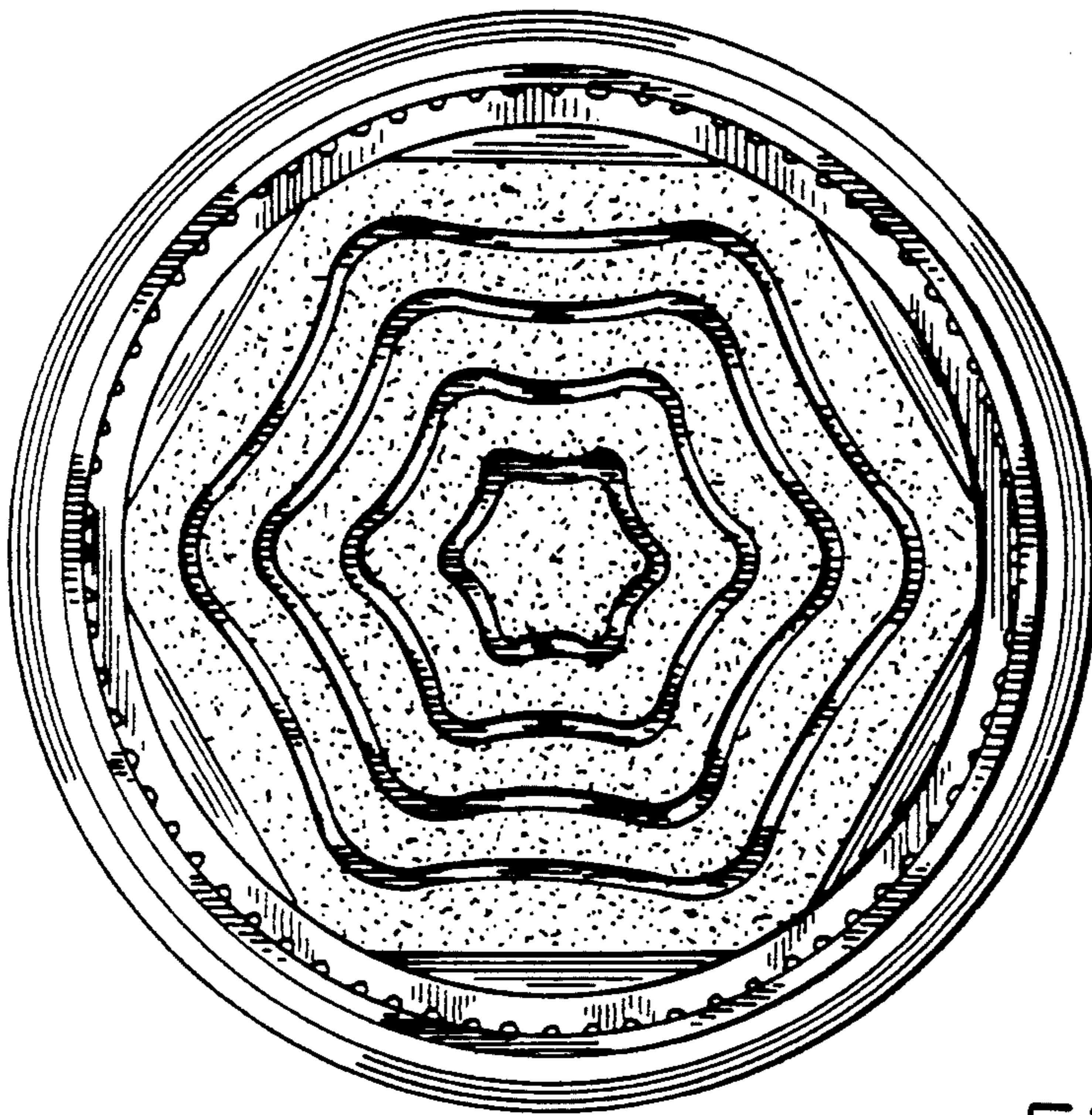


FIG. 8