



US00D341646S

United States Patent [19]

[11] Patent Number: **Des. 341,646**

Shiozaki

[45] Date of Patent: **** Nov. 23, 1993**

[54] **FISHING REEL BODY**

[75] Inventor: **Akihisa Shiozaki, Musashino, Japan**

[73] Assignee: **Daiwa Seiko, Tokyo, Japan**

[**] Term: **14 Years**

[21] Appl. No.: **722,283**

[22] Filed: **Jun. 27, 1991**

[30] **Foreign Application Priority Data**

Dec. 28, 1990 [JP] Japan 2-43938

[52] U.S. Cl. **D22/141**

[58] Field of Search D22/141, 140; 242/230, 242/238, 233, 309, 237, 239, 234, 235, 245, 246, 267

[56] **References Cited**

U.S. PATENT DOCUMENTS

- D. 309,650 7/1990 Kameda et al. D22/141
- D. 321,741 11/1991 Kameda et al. D22/141
- D. 324,719 3/1992 Shiozaki et al. D22/141
- D. 329,907 9/1992 Yui D22/141
- D. 330,245 10/1992 Shiozaki D22/141

Primary Examiner—A. Hugo Word
Assistant Examiner—Doris V. Coles
Attorney, Agent, or Firm—Bacon & Thomas

[57] **CLAIM**

The ornamental design for a fishing reel body, as shown and described.

DESCRIPTION

FIG. 1 is a top, rear and left side perspective view of a fishing reel body showing my new design;

FIG. 2 is a top, front and left side perspective view thereof;

FIG. 3 is a bottom, front and right side perspective view thereof;

FIG. 4 is a rear elevational view thereof;

FIG. 5 is a left side elevational view thereof;

FIG. 6 is a top plan view thereof;

FIG. 7 is a front elevational view thereof;

FIG. 8 is a right side elevational view thereof; and,

FIG. 9 is a bottom plan view thereof.

The broken line showing of the remaining parts of a fishing reel is for illustrative purposes only and forms no part of the claimed design.

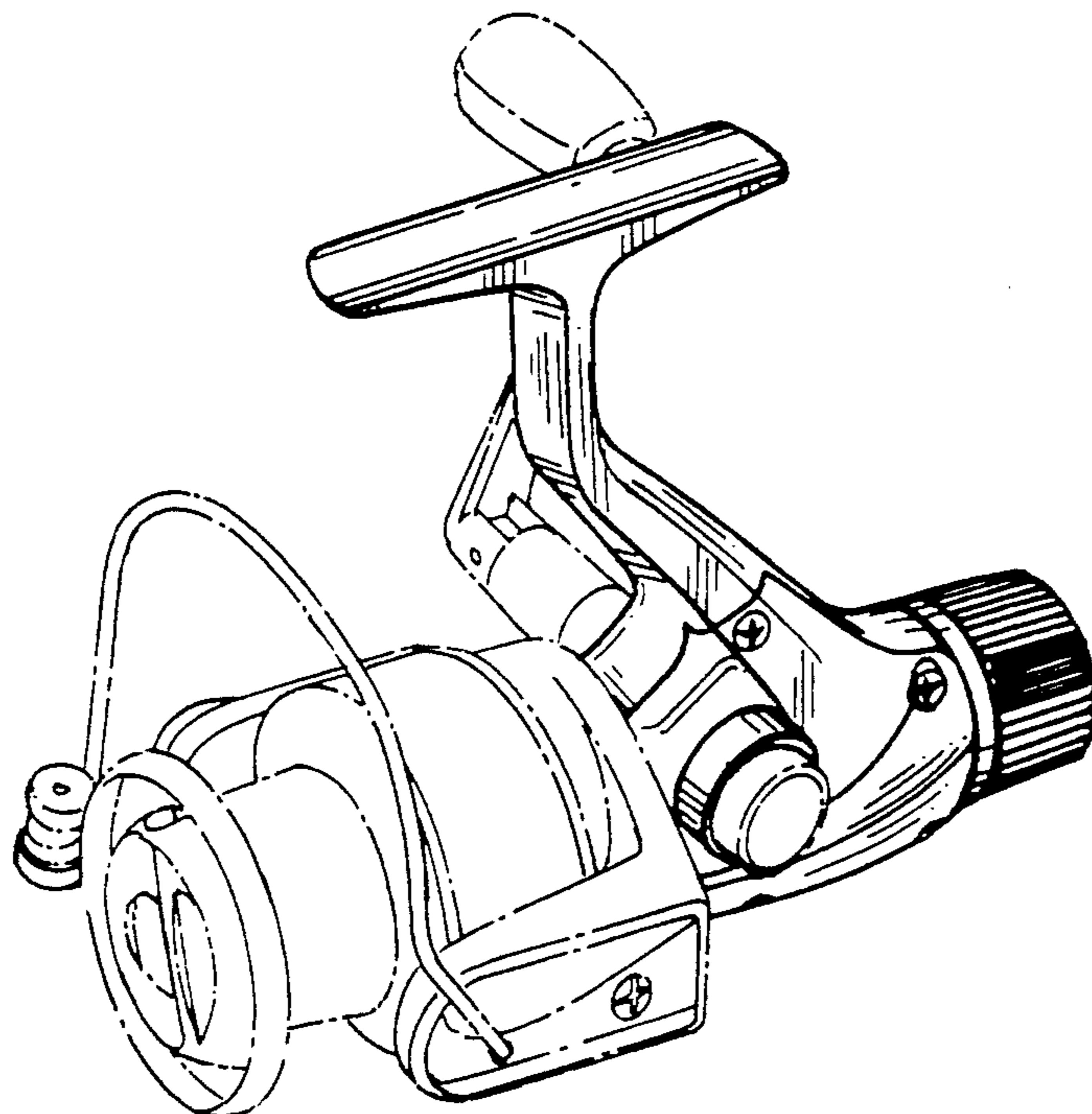


FIG. 1

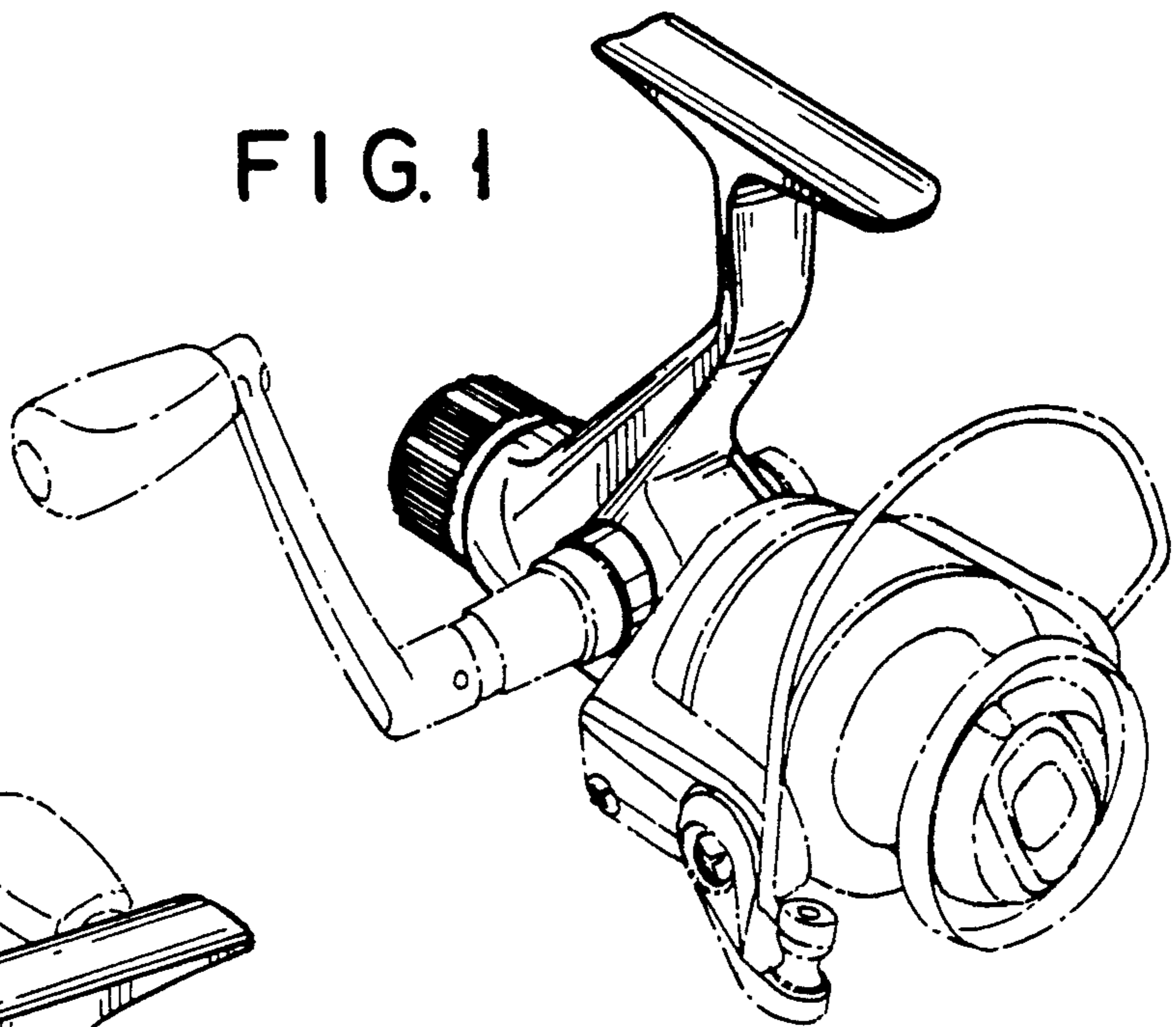


FIG. 2

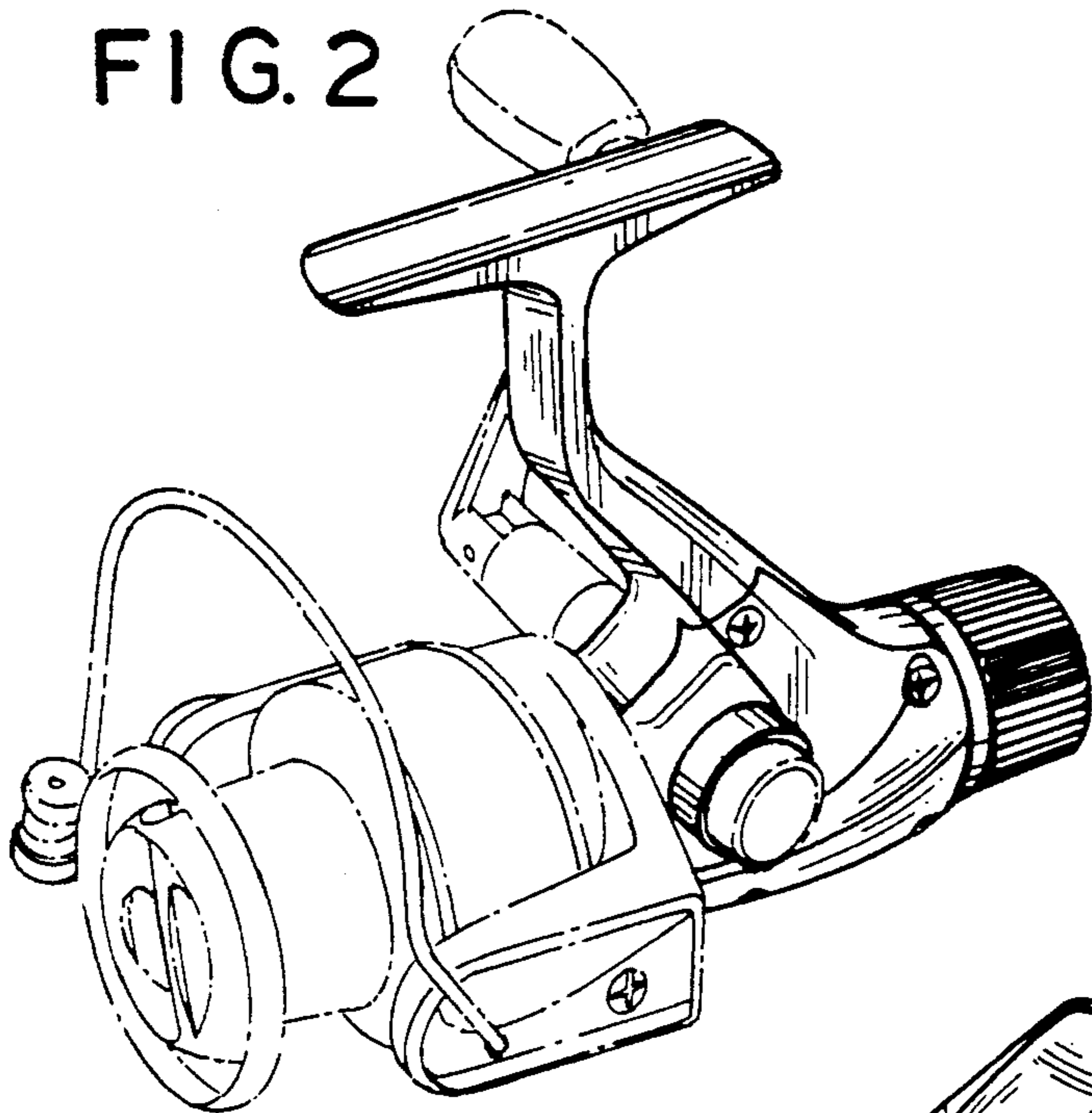


FIG. 3

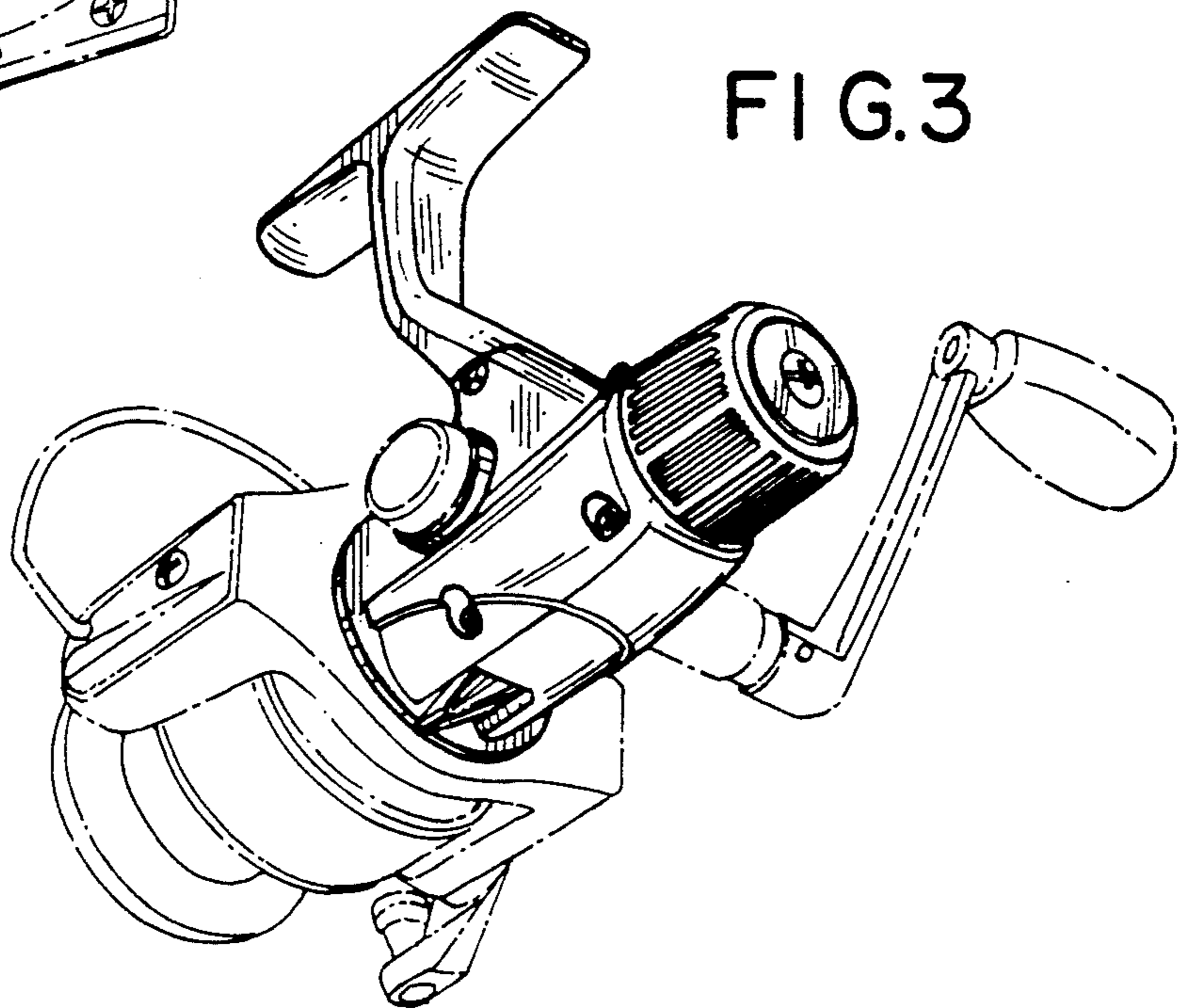


FIG. 4

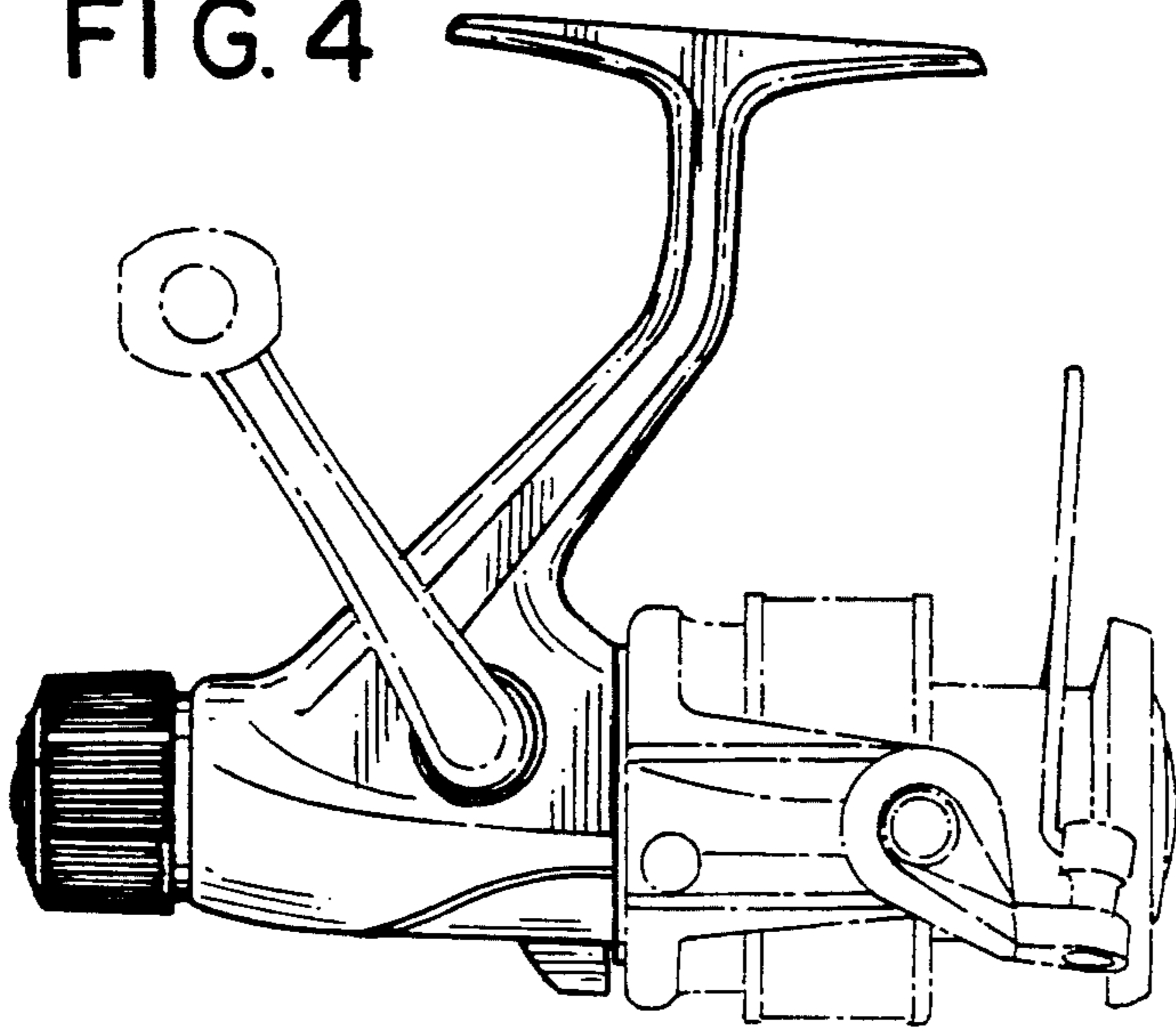


FIG. 5

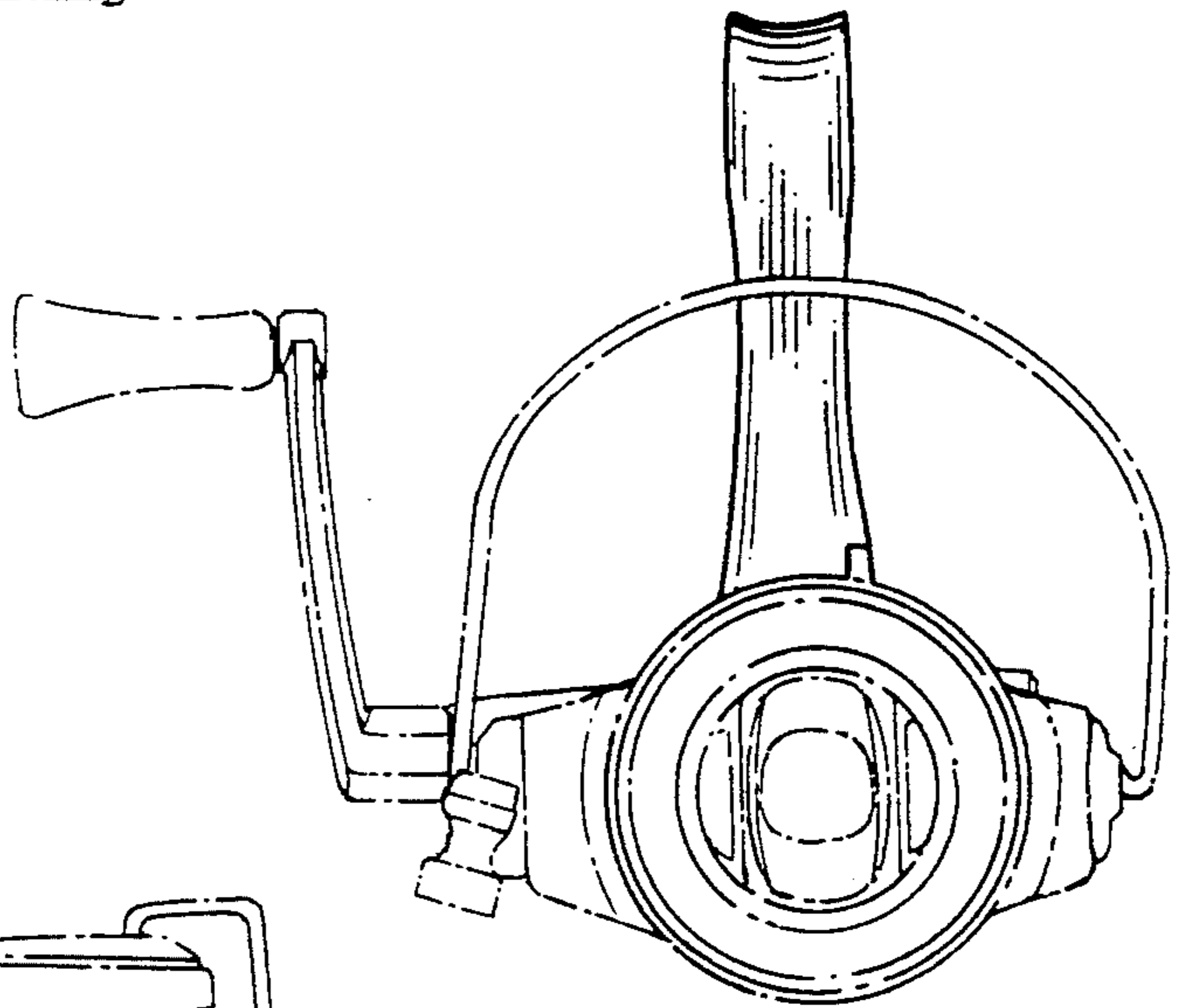


FIG. 6

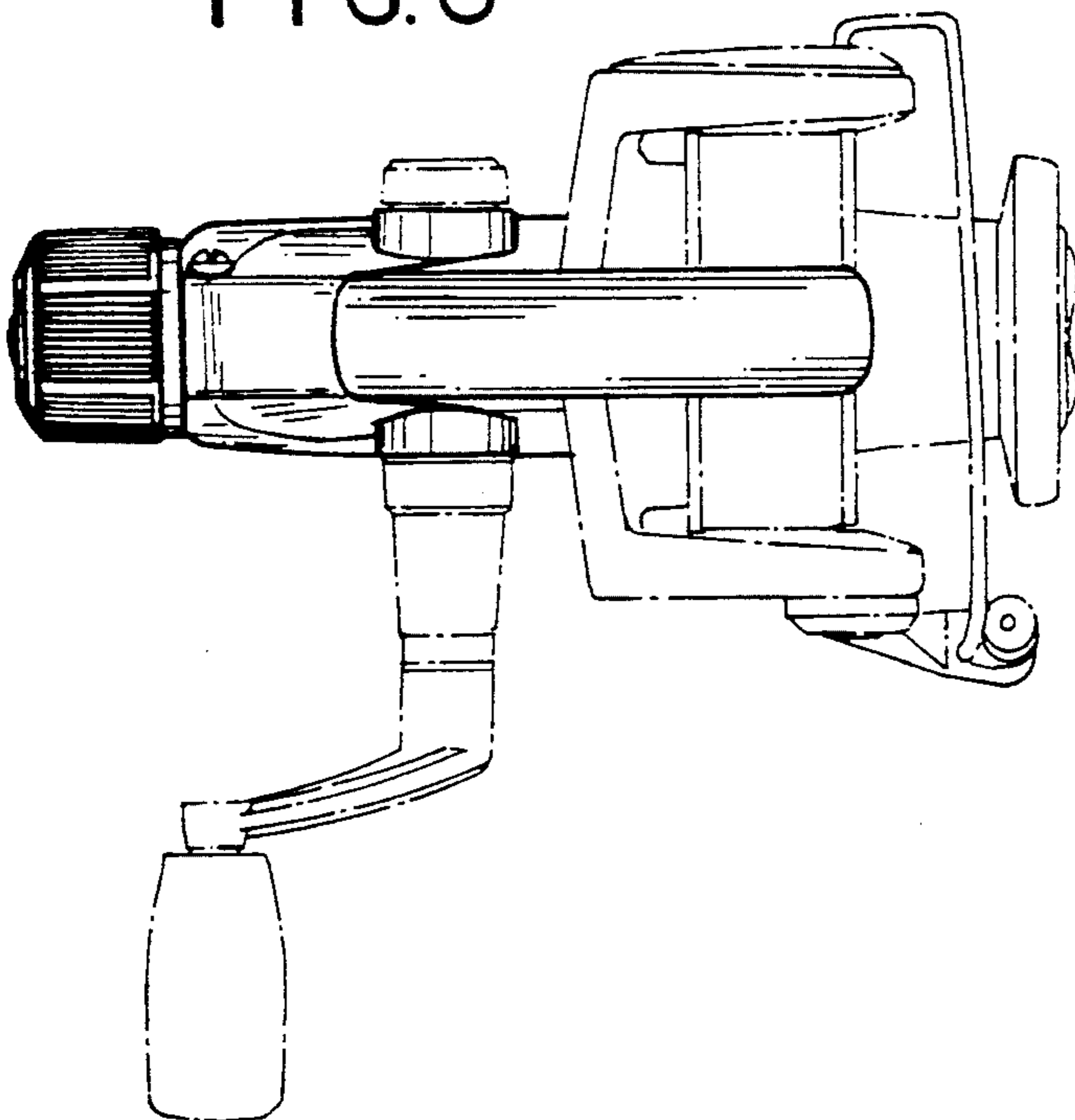


FIG. 7

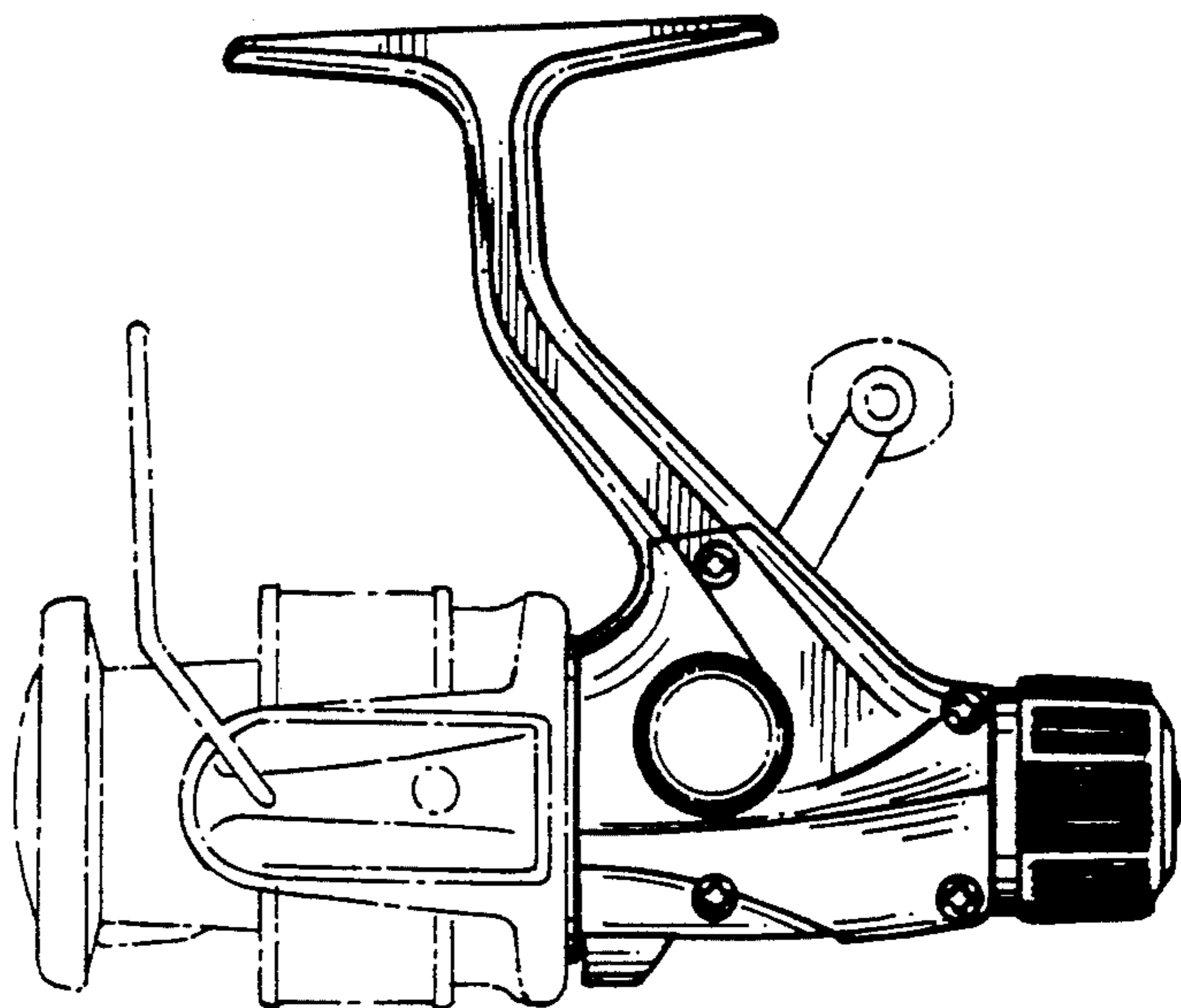


FIG. 8

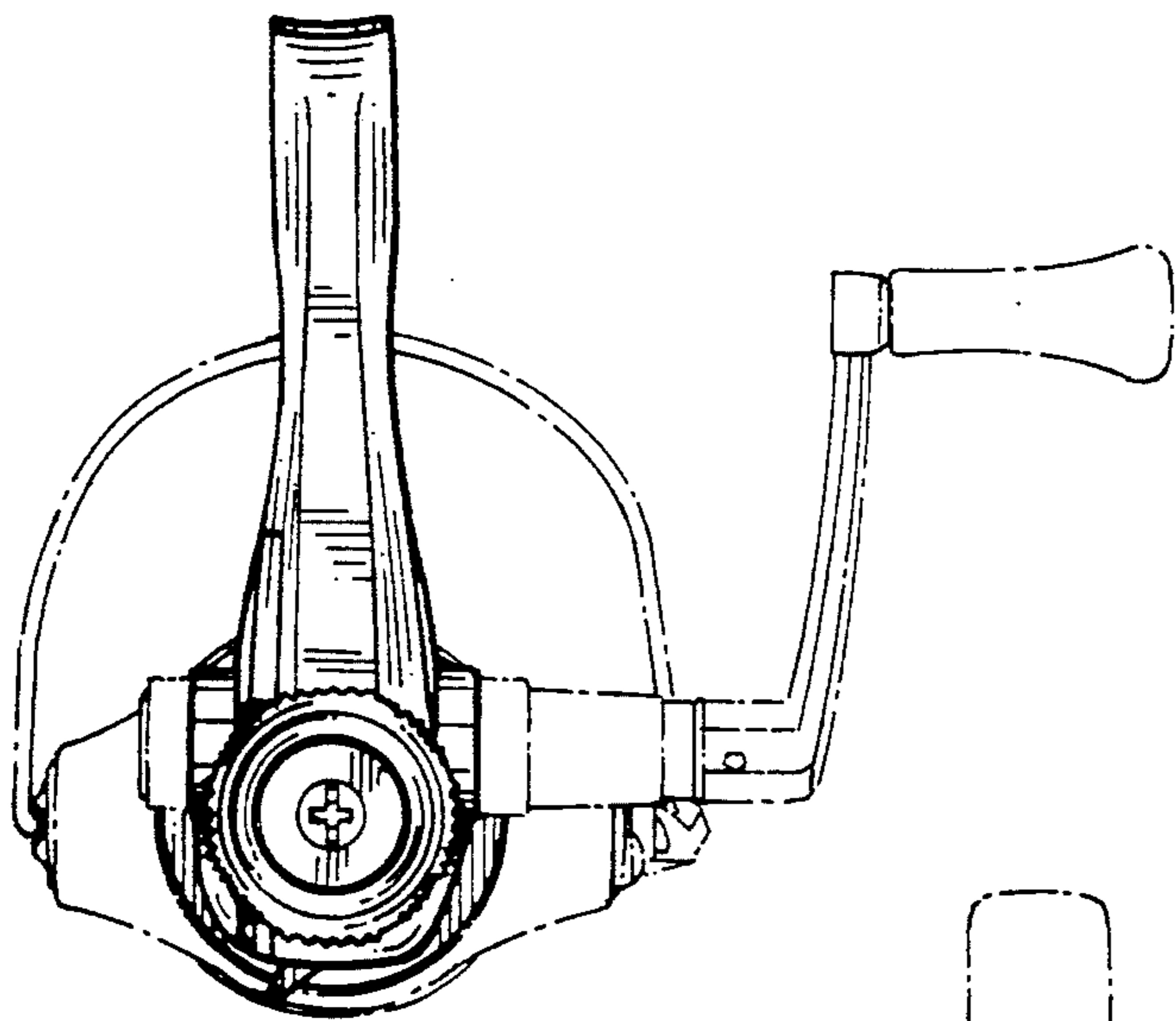


FIG. 9

