



US00D341644S

United States Patent [19]

[11] Patent Number: **Des. 341,644**

Petersheim

[45] Date of Patent: **** Nov. 23, 1993**

[54] **COMBINED WALKWAY AND COVERING STRUCTURE**

4,992,069 2/1991 Bolli et al. 446/476 X

[75] Inventor: **Richard J. Petersheim**, Charlotte, N.C.

[73] Assignee: **Restaurant Technology, Inc.**, Oak Brook, Ill.

[**] Term: **14 Years**

[21] Appl. No.: **830,272**

[22] Filed: **Feb. 4, 1992**

[52] U.S. Cl. **D21/242**

[58] Field of Search **D9/240-252;**
472/48, 92, 116, 117, 126, 134, 136, 137;
446/70, 168, 476, 156, 110; 482/35-40

[56] **References Cited**

U.S. PATENT DOCUMENTS

D. 308,562	6/1990	Pentes	D21/242
2,170,935	8/1939	Whiteley	472/48
3,814,416	6/1974	Munger et al.	.	
4,487,411	12/1984	Ahrens	472/116

OTHER PUBLICATIONS

American Weekly, Sep. 1959, p. 8.

Western Architect and Engineer, Jul. 1960 p. 39, as shown.

Mexico Forge, Jun. 1984, p. 49.

Primary Examiner—Prabhakar G. Deshmukh

Attorney, Agent, or Firm—Jenner & Block

[57] **CLAIM**

The ornamental design for a combined walkway and covering structure, as shown and described.

DESCRIPTION

FIG. 1 is a perspective view of a combined walkway and covering structure showing my new design;

FIG. 2 is a top plan view thereof;

FIG. 3 is a right side elevation view thereof;

FIG. 4 is a front elevation view thereof that is a mirror image of the rear elevation view thereof;

FIG. 5 is a left side elevation view thereof; and,

FIG. 6 is a bottom plan view thereof.

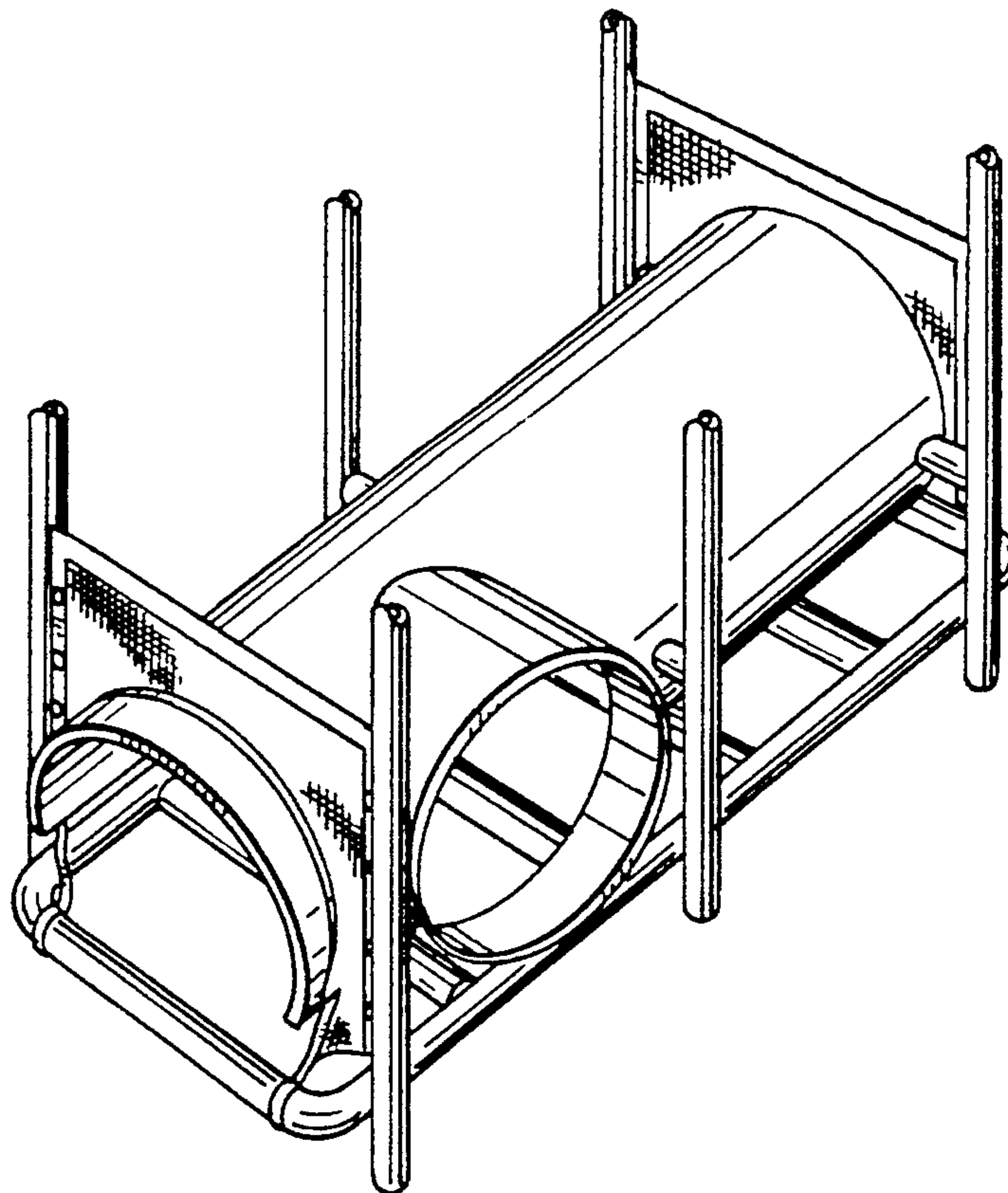


FIG. 1

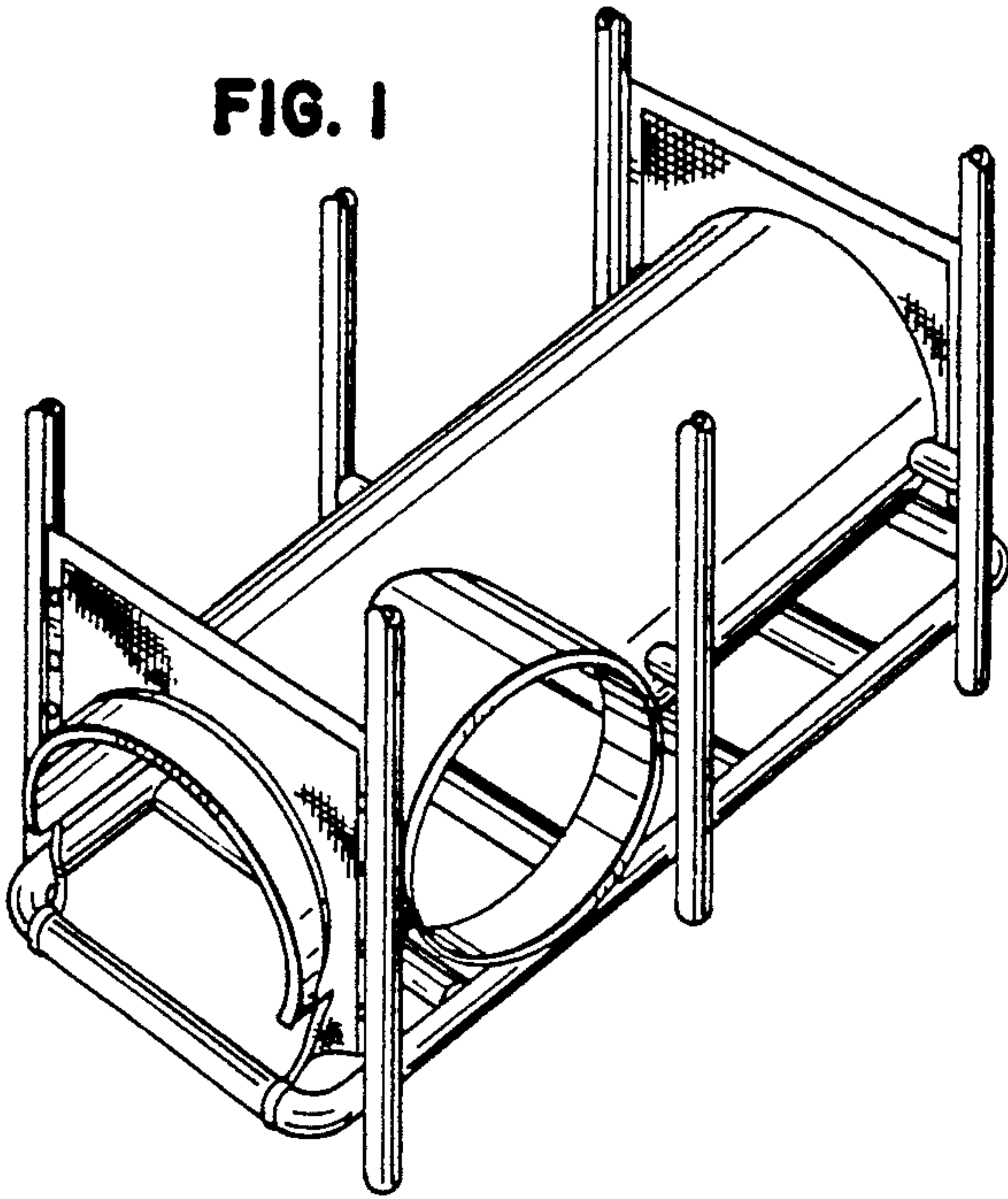


FIG. 2

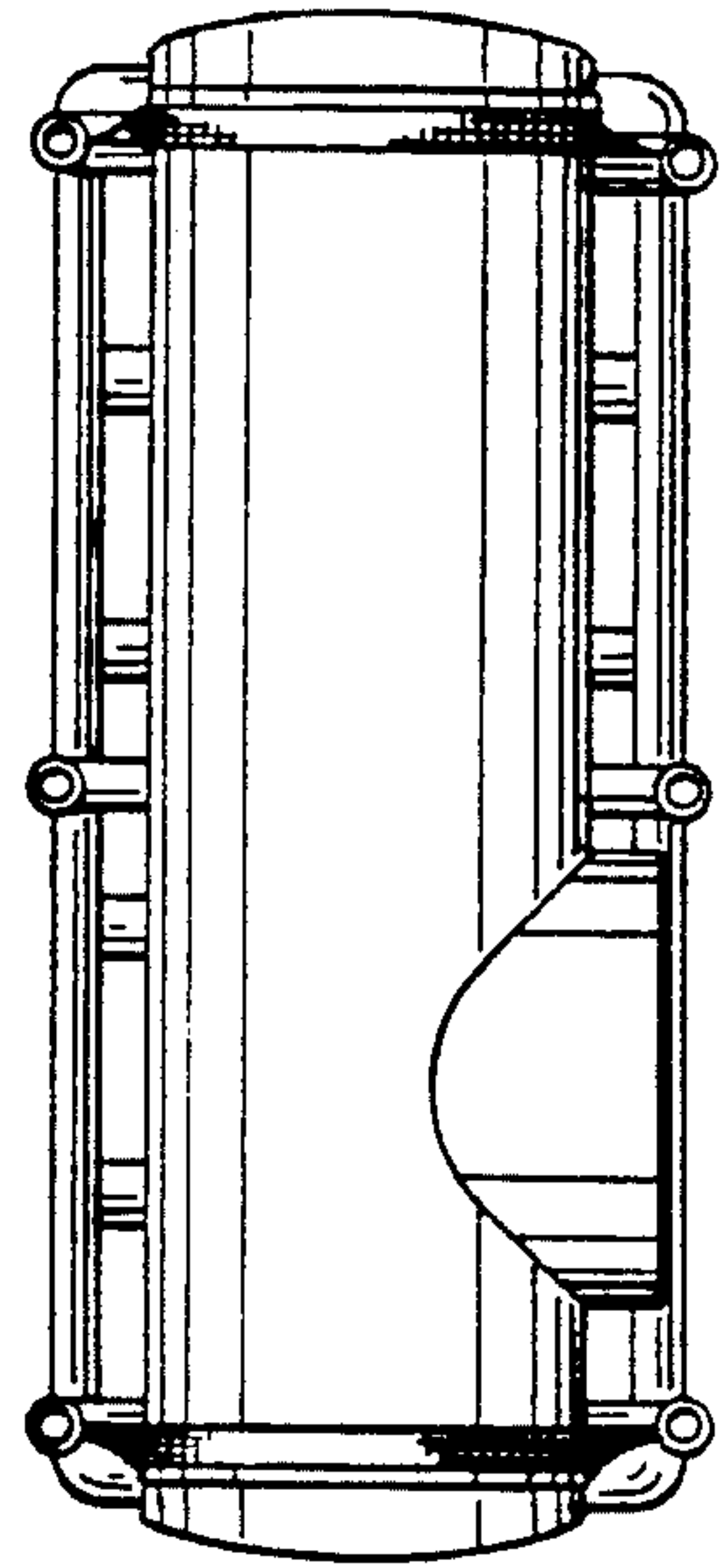


FIG. 3

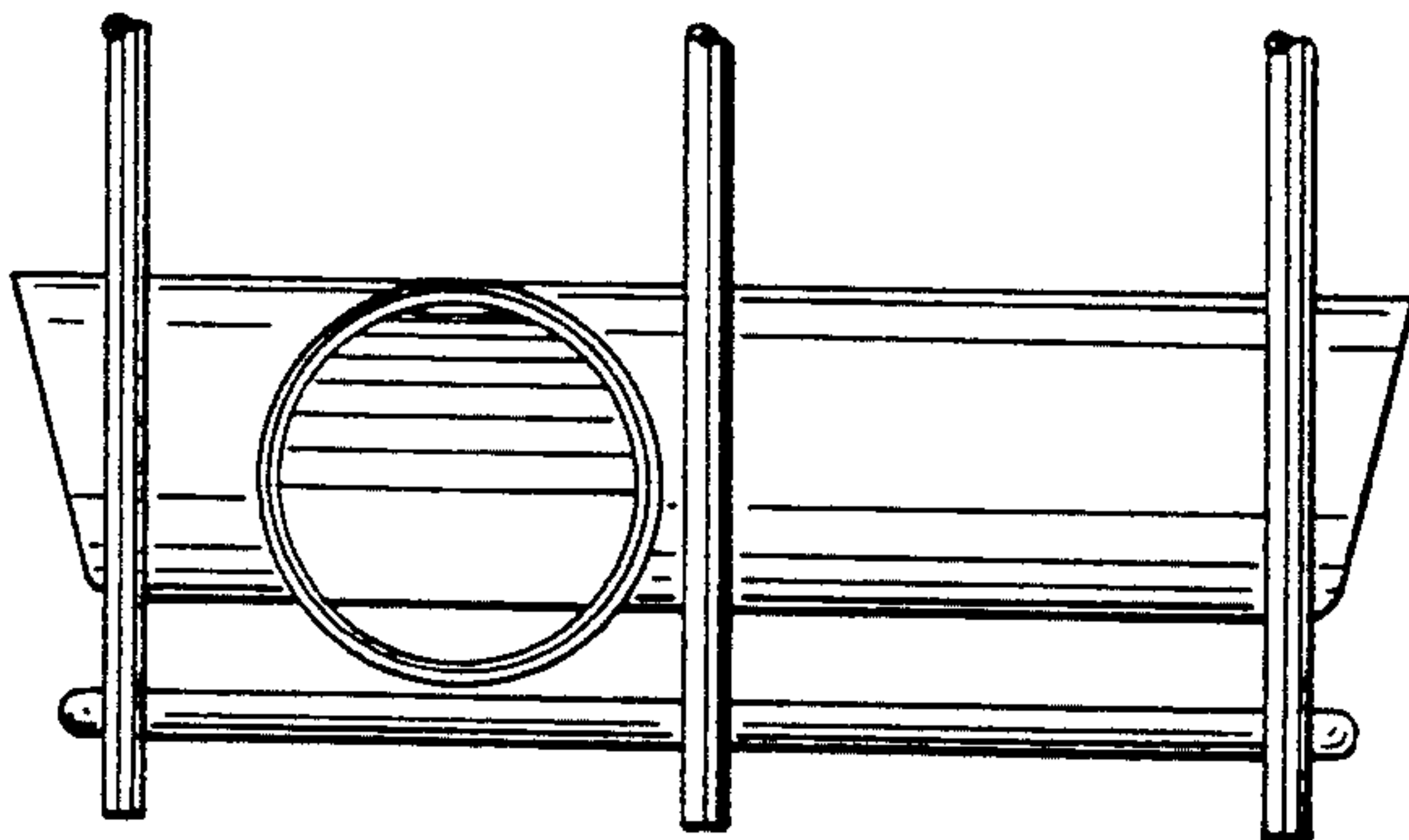


FIG. 4

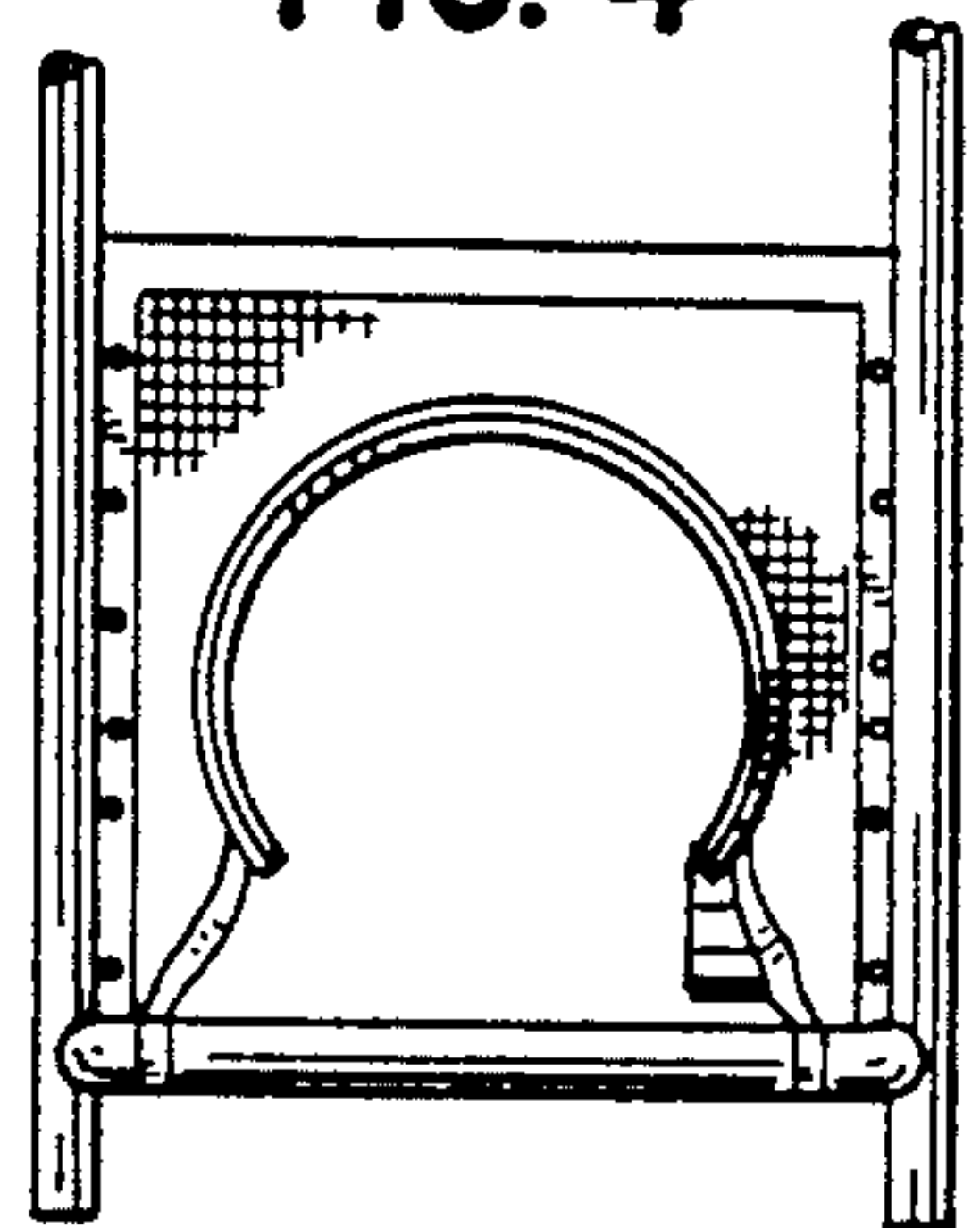


FIG. 5

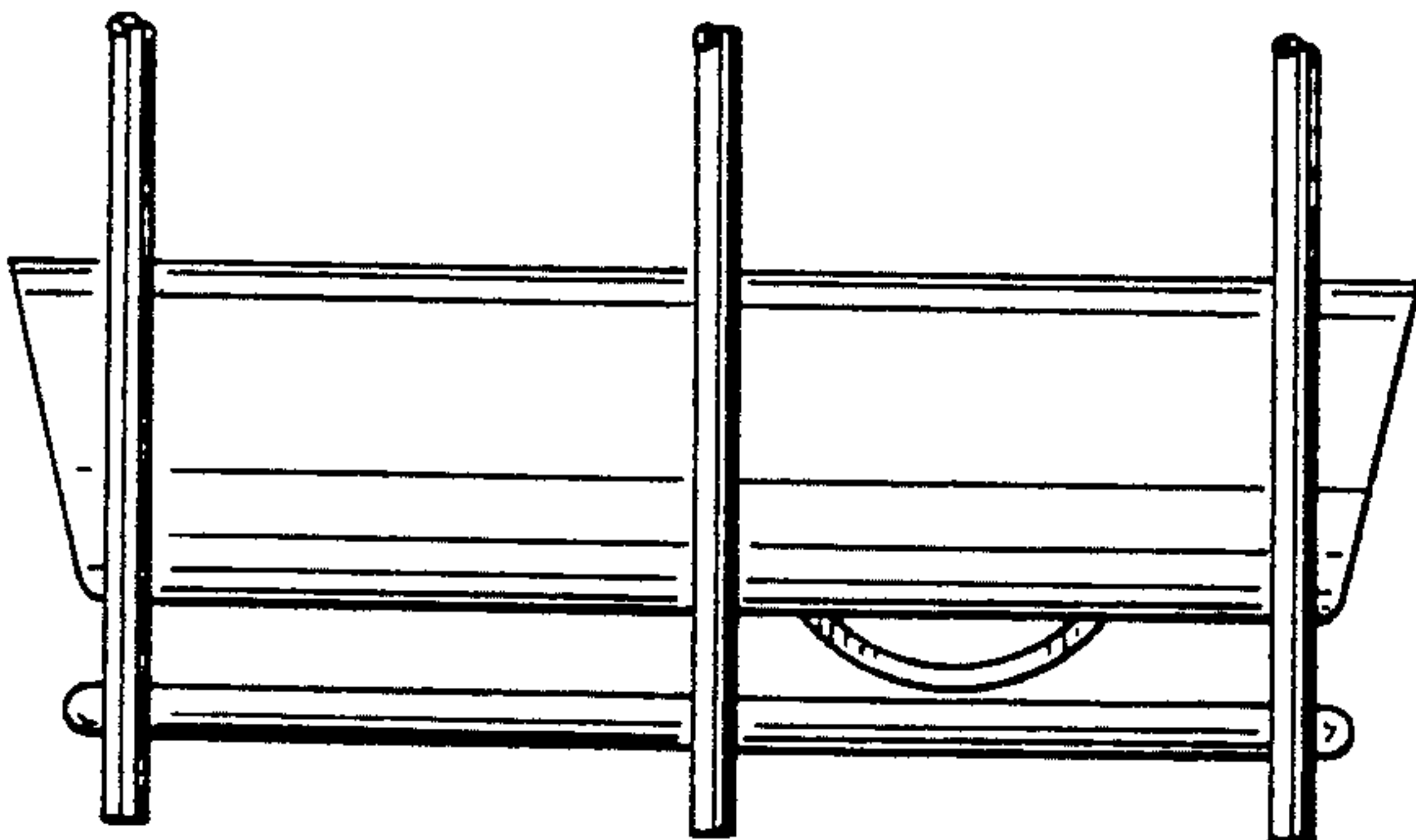


FIG. 6

