



US00D341643S

United States Patent [19]

[11] Patent Number: **Des. 341,643**

Schmidt

[45] Date of Patent: **** Nov. 23, 1993**

[54] **PROTECTIVE TIP COVER FOR SKIS**

[76] Inventor: **Richard Schmidt**, 18 Hacket Pl.,
Rutherford, N.J. 07070

[**] Term: **14 Years**

[21] Appl. No.: **784,792**

[22] Filed: **Oct. 30, 1991**

[52] U.S. Cl. **D21/230; D21/229**

[58] Field of Search **D21/230, 228, 229;**
441/74, 68, 71; 114/219, 229, 343

3,876,216	4/1975	Wehr .	
4,006,912	2/1977	Perlich et al. .	
4,083,572	4/1978	May, Jr. .	
4,799,710	1/1989	Barnett	280/809
4,955,314	9/1990	Skedleski	114/219
5,069,406	12/1991	Colyer et al.	114/361
5,147,235	9/1992	Bamburak et al.	114/361

Primary Examiner—**Kay H. Chin**

[57] **CLAIM**

The ornamental design for a protective tip cover for skis, as shown and described.

DESCRIPTION

FIG. 1 is a top plan view of a protective tip cover for skis showing my new design;
 FIG. 2 is a bottom plan view thereof;
 FIG. 3 is a side elevation view thereof;
 FIG. 4 is a front elevational view thereof;
 FIG. 5 is a rear view thereof;
 FIG. 6 is an oblique view of the bottom thereof; and,
 FIG. 7 is an oblique view of a ski tip with the protective tip cover of my design in place thereon.

[56] **References Cited**

U.S. PATENT DOCUMENTS

D. 216,032	11/1969	Howe	D21/230
D. 302,717	8/1989	Skedleski et al.	D21/230
D. 316,585	4/1991	Skedleski et al.	D21/230
1,595,632	8/1926	Taft .	
3,066,326	12/1962	Collins .	
3,374,495	3/1968	Joyce .	
3,424,469	1/1969	Hooker .	
3,501,160	3/1970	Lange .	
3,567,239	3/1971	Kitterman .	

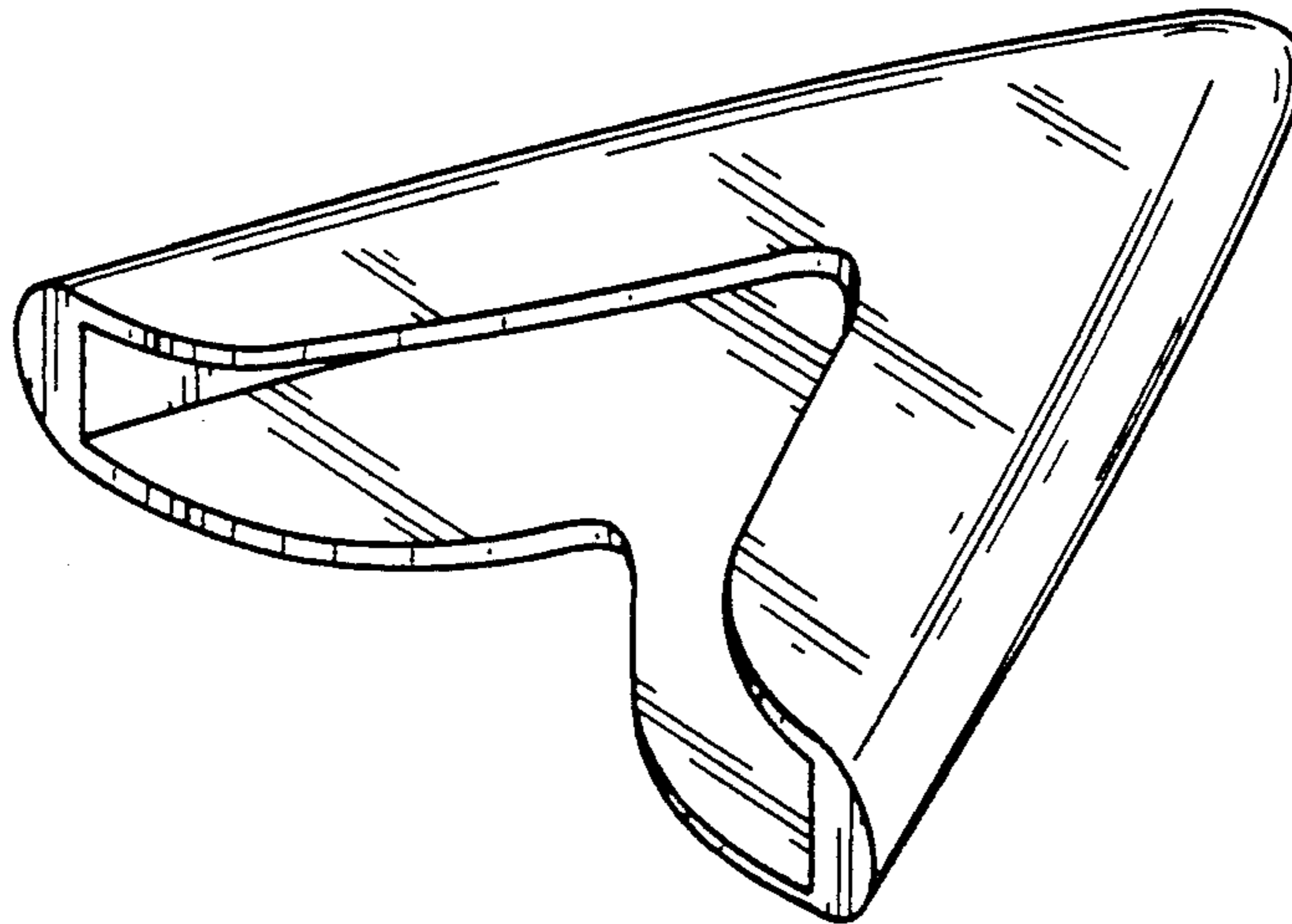


FIG. 1

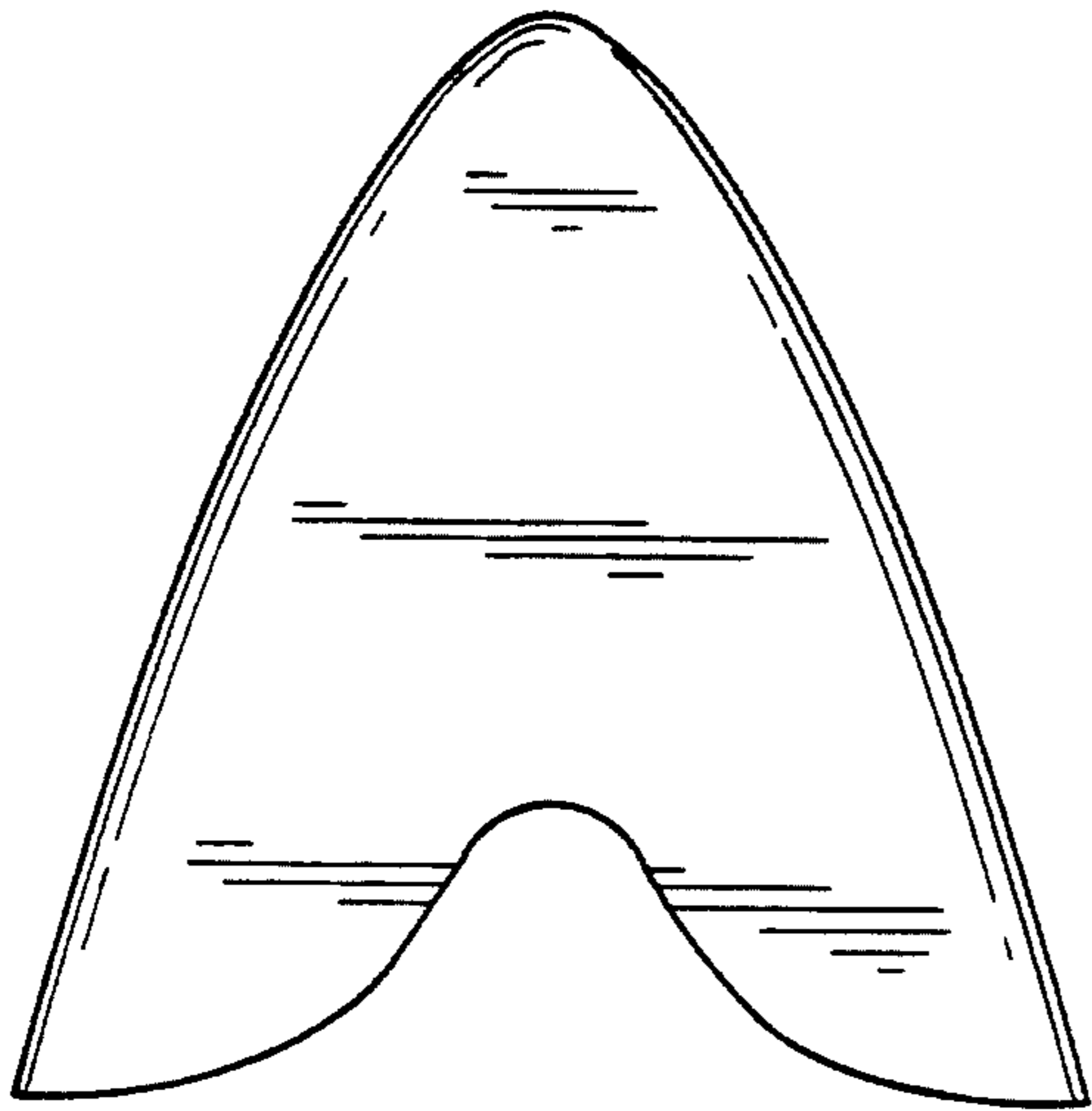


FIG. 3

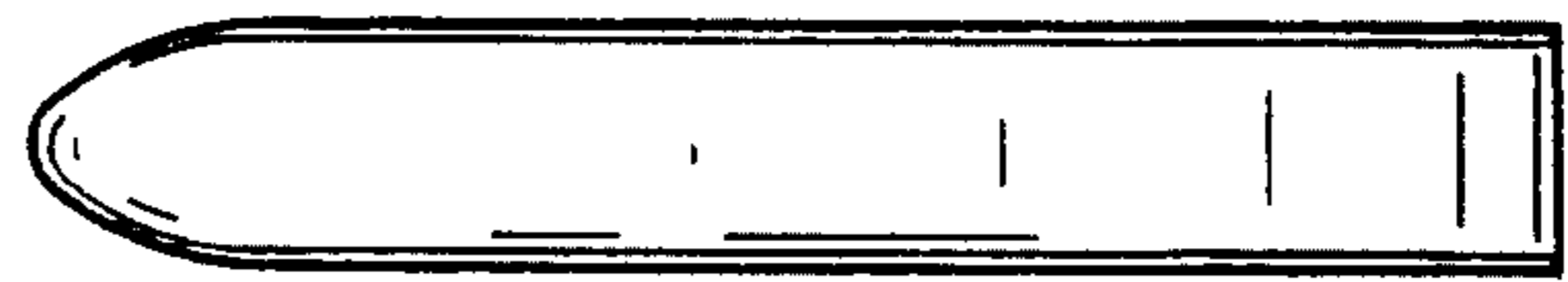


FIG. 4



FIG. 2

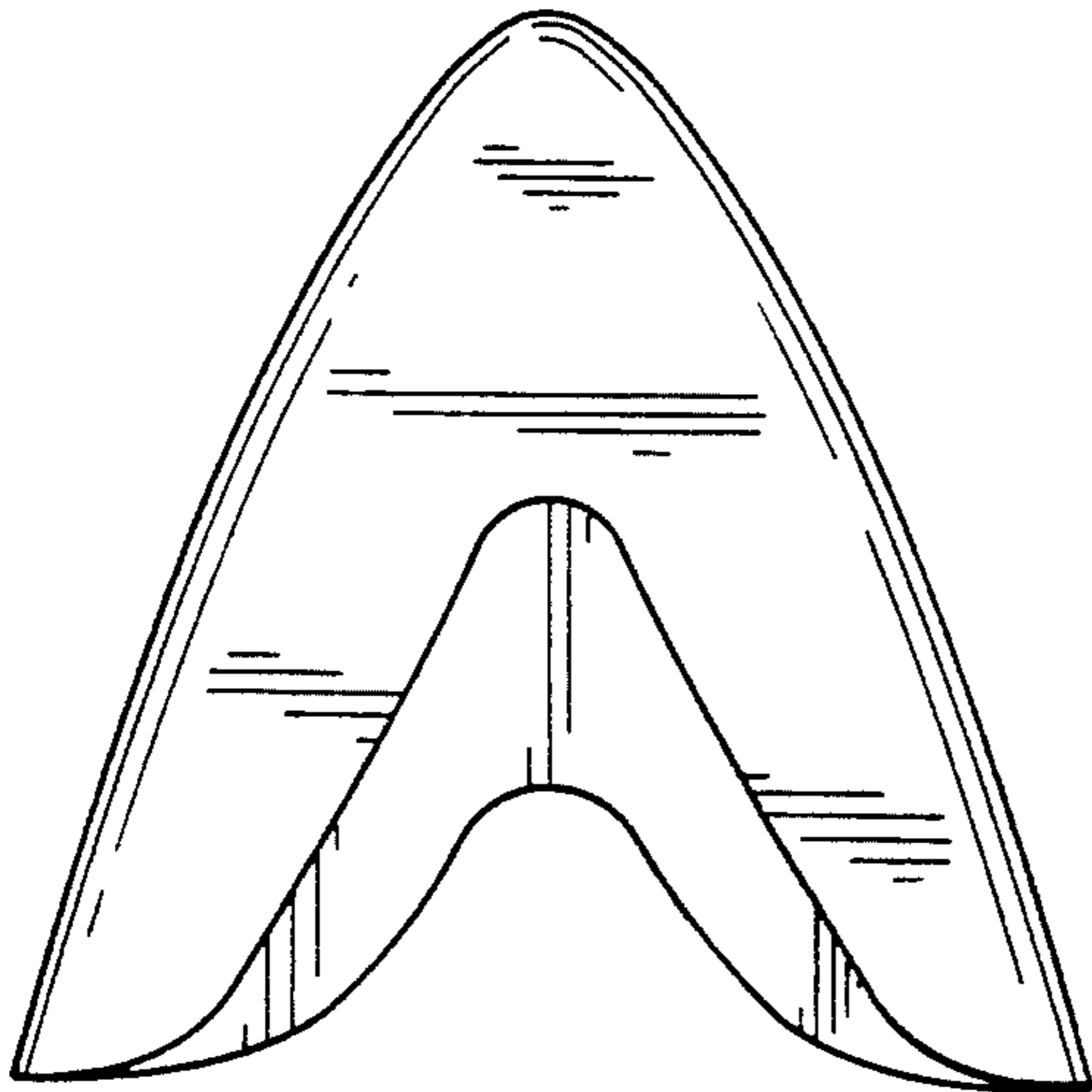


FIG. 5

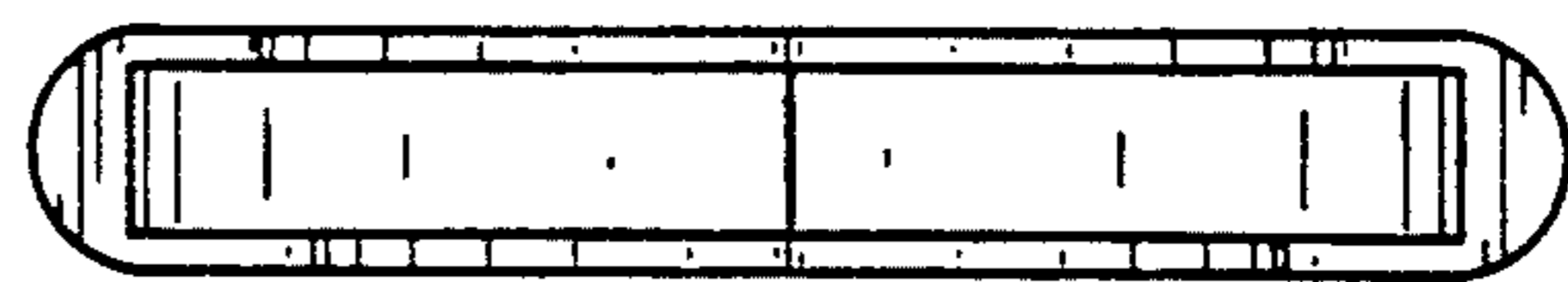


FIG. 6

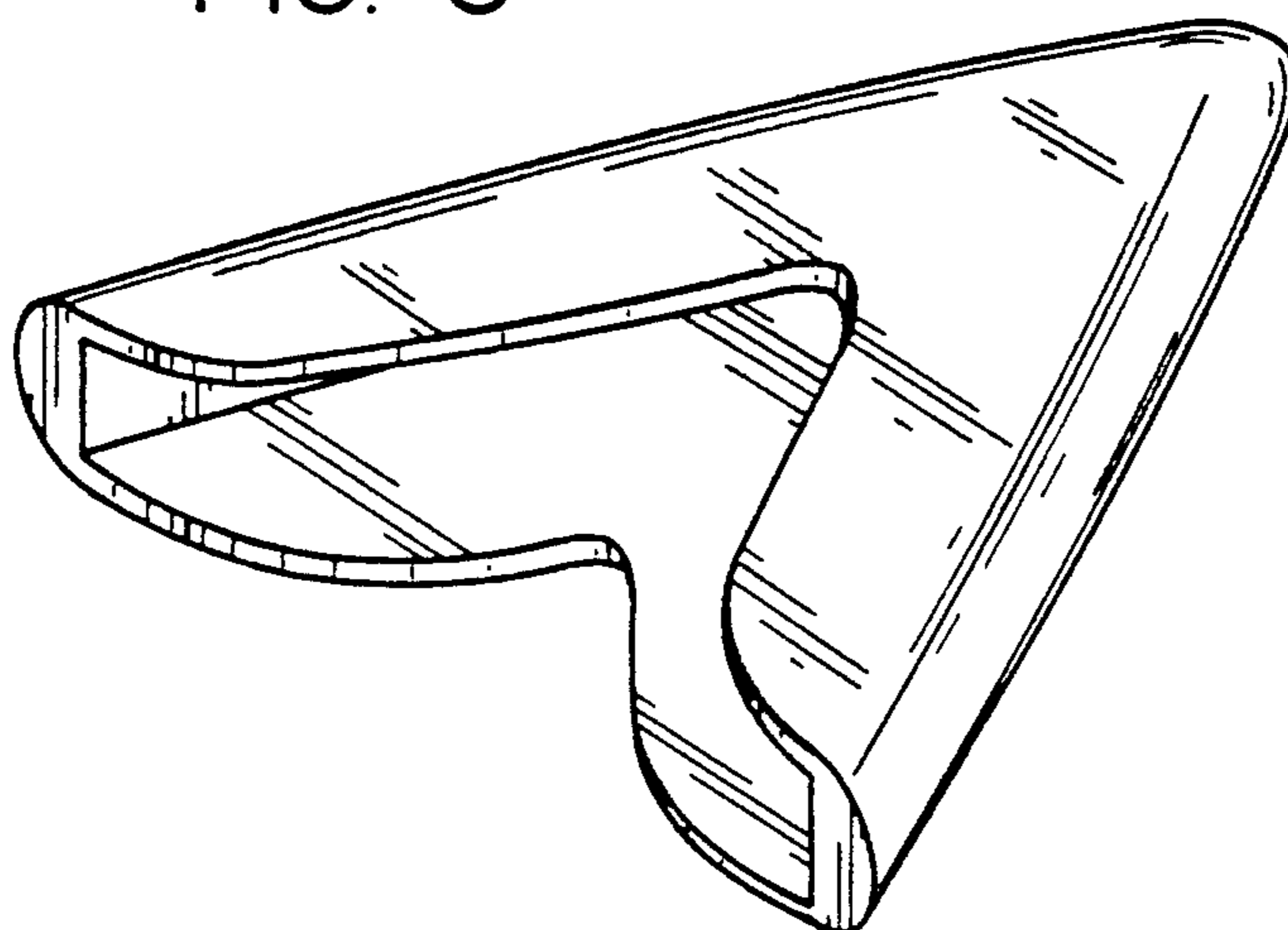


FIG. 7

