



US00D341628S

**United States Patent** [19]  
**Humphrey**

[11] **Patent Number: Des. 341,628**

[45] **Date of Patent: \*\* Nov. 23, 1993**

[54] **VENDING MACHINE**

[75] **Inventor: Dallas Humphrey, Plymouth, Minn.**

[73] **Assignee: Edina Technical Products, Inc.,  
Plymouth, Minn.**

[\*\*] **Term: 14 Years**

[21] **Appl. No.: 681,377**

[22] **Filed: Apr. 8, 1991**

[52] **U.S. Cl. .... D20/4**

[58] **Field of Search ..... D20/4, 1; 194/350, 236,  
194/237, 248, 255; 221/75**

[56] **References Cited**

**U.S. PATENT DOCUMENTS**

1,839,480	1/1932	Hochriem .....	194/236
3,437,235	4/1969	Guerra .....	221/75
3,767,081	10/1973	Wittern .....	D20/4 X

**OTHER PUBLICATIONS**

Vending Times Sep. 1987 p. 44 middle left "Vend-A-Snack".

Vending Times Feb 1986 top left "Snak-Man".

Vending Times Jan. 1987 p. 17 middle right "Select A Snack".

*Primary Examiner*—Bernard Ansher

*Assistant Examiner*—Paula A. Mortimer

*Attorney, Agent, or Firm*—Peterson, Wicks, Nemer & Kamrath

[57] **CLAIM**

The ornamental design for a vending machine, as shown and described.

**DESCRIPTION**

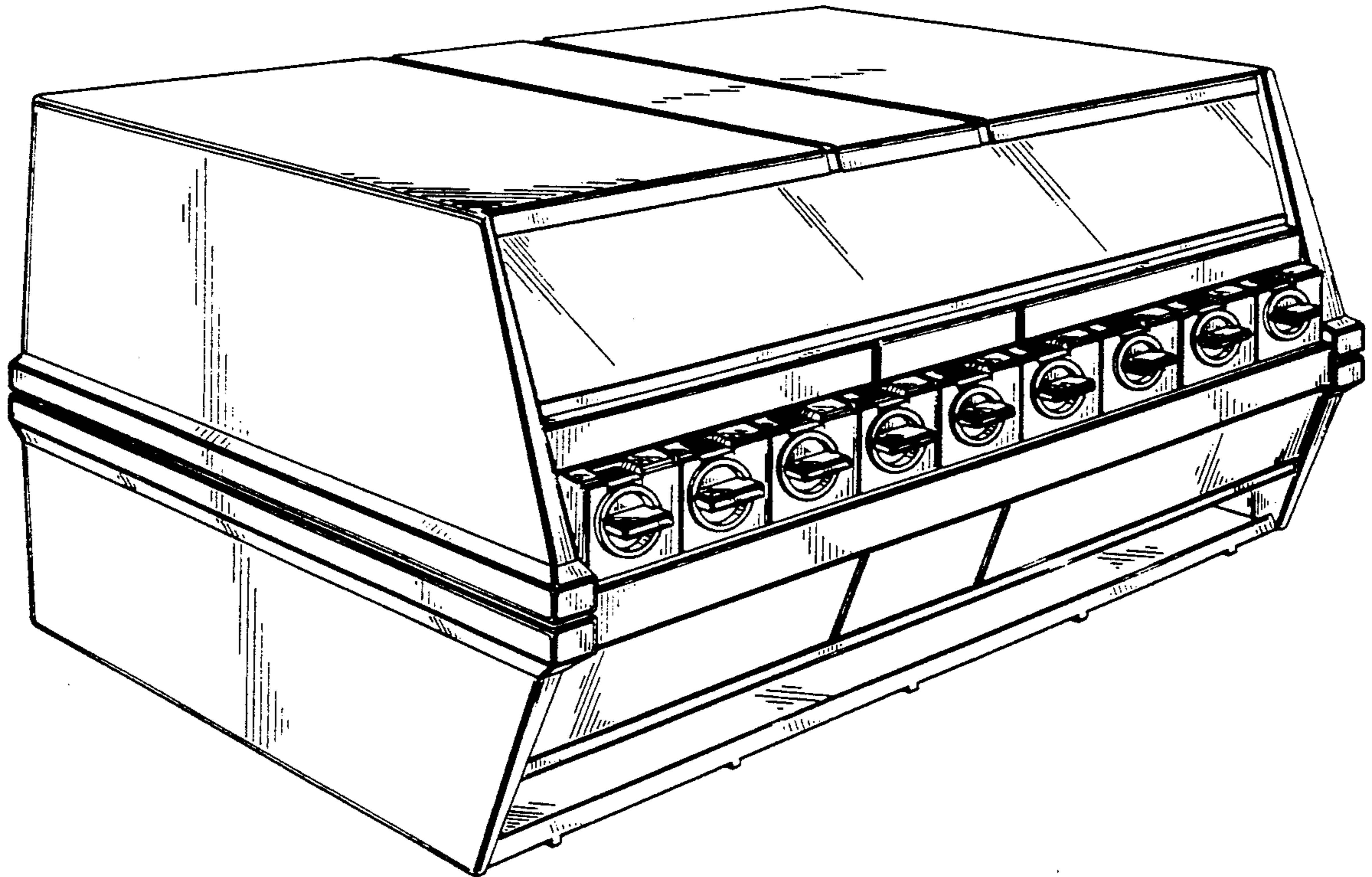
FIG. 1 is a front perspective view of a vending machine showing my new design;

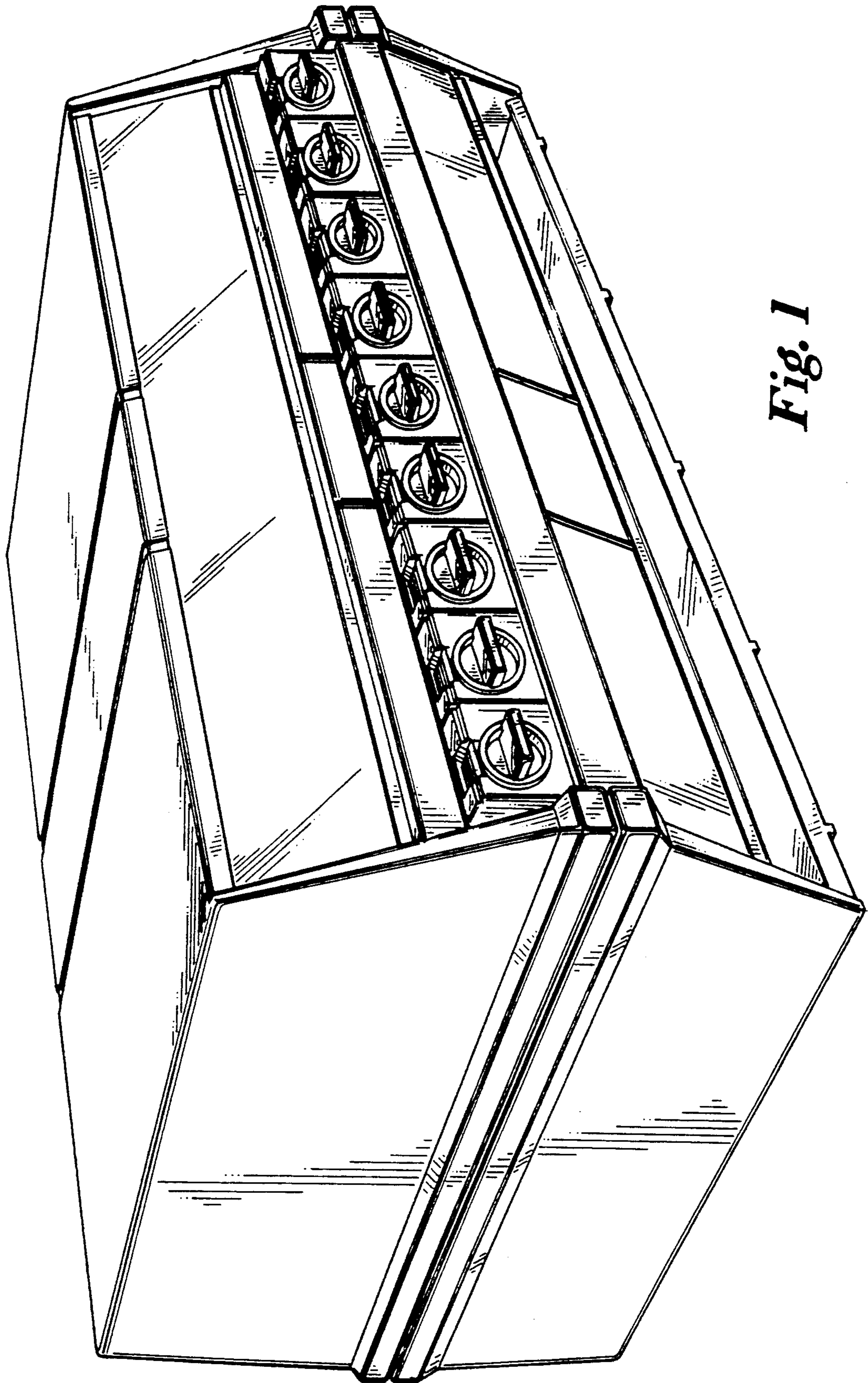
FIG. 2 is a front elevational view thereof;

FIG. 3 is an side elevational view, the opposite side is a mirror image thereof;

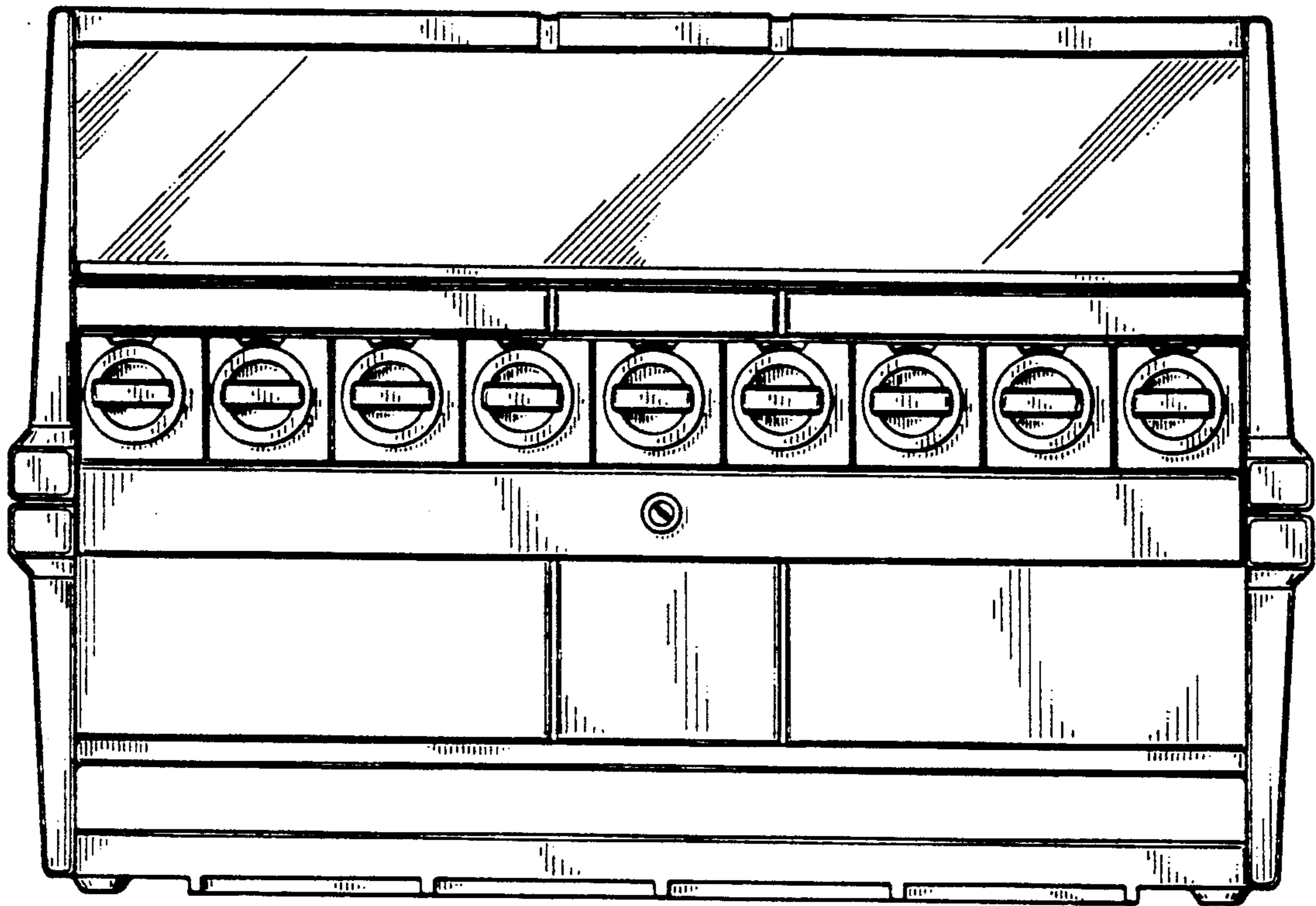
FIG. 4 is a top plan view thereof the bottom unornamented; and,

FIG. 5 is a rear elevational view thereof.

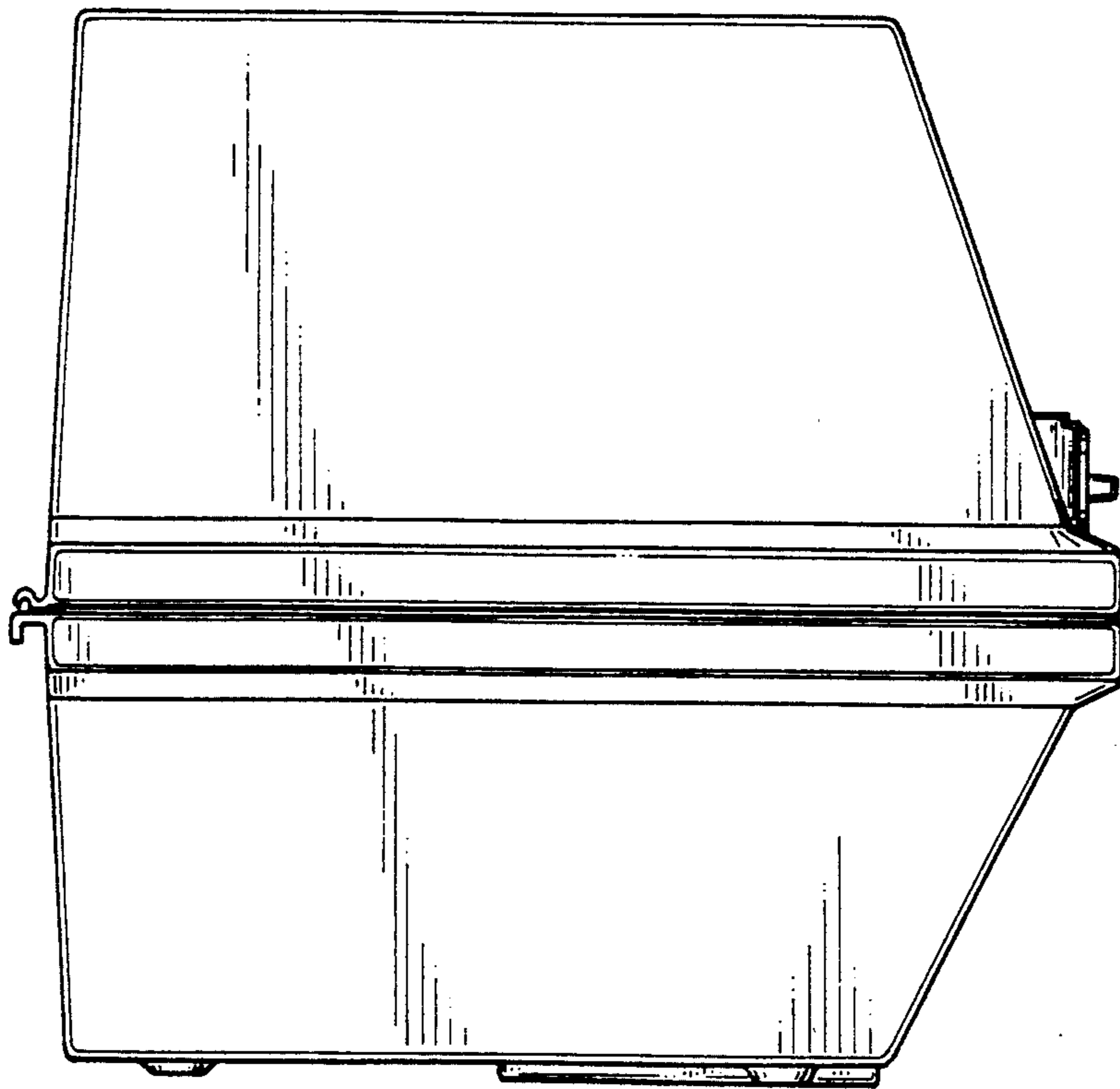




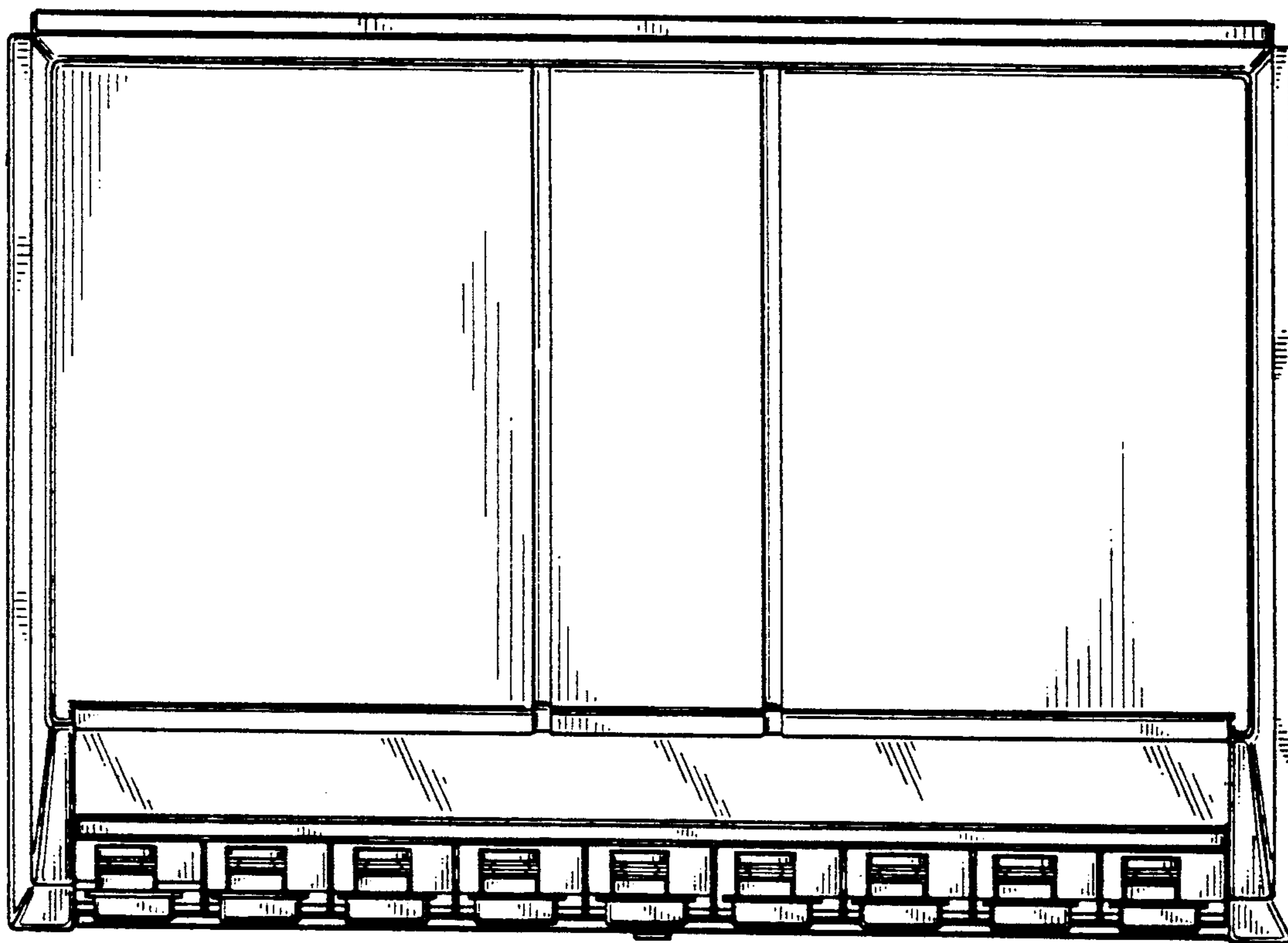
*Fig. 1*



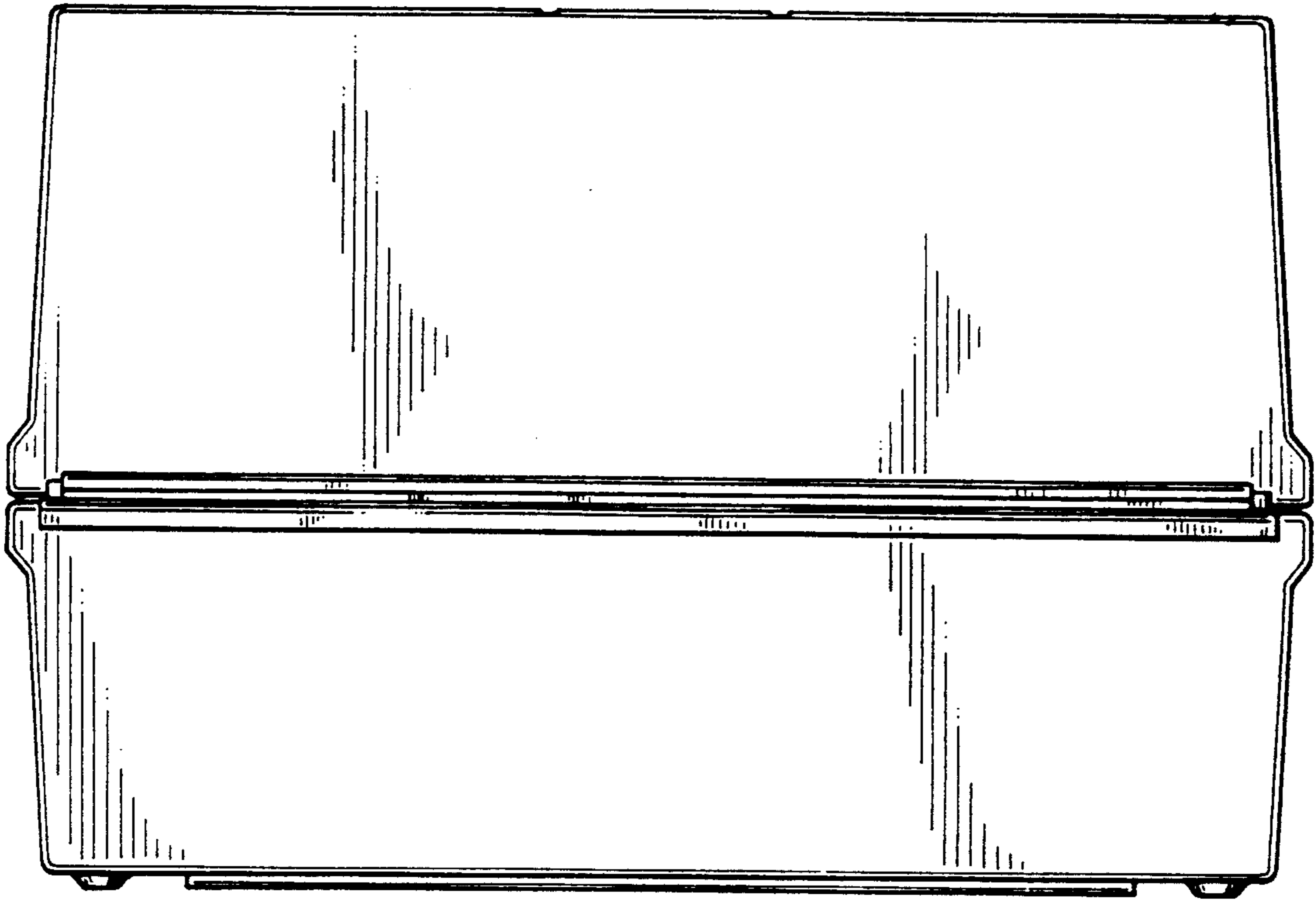
*Fig. 2*



*Fig. 3*



*Fig. 4*



*Fig. 5*