



US00D341625S

# United States Patent [19] Ros

[11] Patent Number: **Des. 341,625**

[45] Date of Patent: **\*\* Nov. 23, 1993**

[54] **FILING CASE**

[75] Inventor: **Johannes F. Ros, Paris, France**

[73] Assignee: **Office Data Europe (ODE) B.V., Netherlands**

[\*\*] Term: **14 Years**

[21] Appl. No.: **817,426**

[22] Filed: **Jan. 2, 1992**

[30] **Foreign Application Priority Data**

Jul. 5, 1991 [IB] Int'l Pat. Institute ..... DM/020080

[52] U.S. Cl. .... **D19/86; D19/27; D19/91; D3/73**

[58] Field of Search ..... **D19/65, 75, 78, 86, D19/90, 91, 99, 100; D3/30.1, 35, 73, 76; 206/387, 425, 444; 402/80 P, 80 R, 3, 73, 35**

[56] **References Cited**

**U.S. PATENT DOCUMENTS**

D. 232,231	7/1974	Langieri	.....	D3/73
D. 232,597	8/1974	Sias	.....	D3/73 X
D. 257,191	10/1980	Wilcox	.....	D3/73
D. 260,454	9/1981	Pepicelli, Jr. et al.	.....	D3/35
D. 279,728	7/1985	Kurihara	.....	D3/35 X
D. 296,497	7/1988	Kime	.....	D3/73
4,518,275	5/1985	Rauch, III et al.	..	

5,069,567	12/1991	Fink et al.	.....	402/80 R X
5,076,722	12/1991	Rohner	.....	402/35

**FOREIGN PATENT DOCUMENTS**

0375925	4/1990	European Pat. Off.	.	
8236741	5/1983	Fed. Rep. of Germany	.	
1168498	10/1969	United Kingdom	.	
2203097	10/1988	United Kingdom	.	

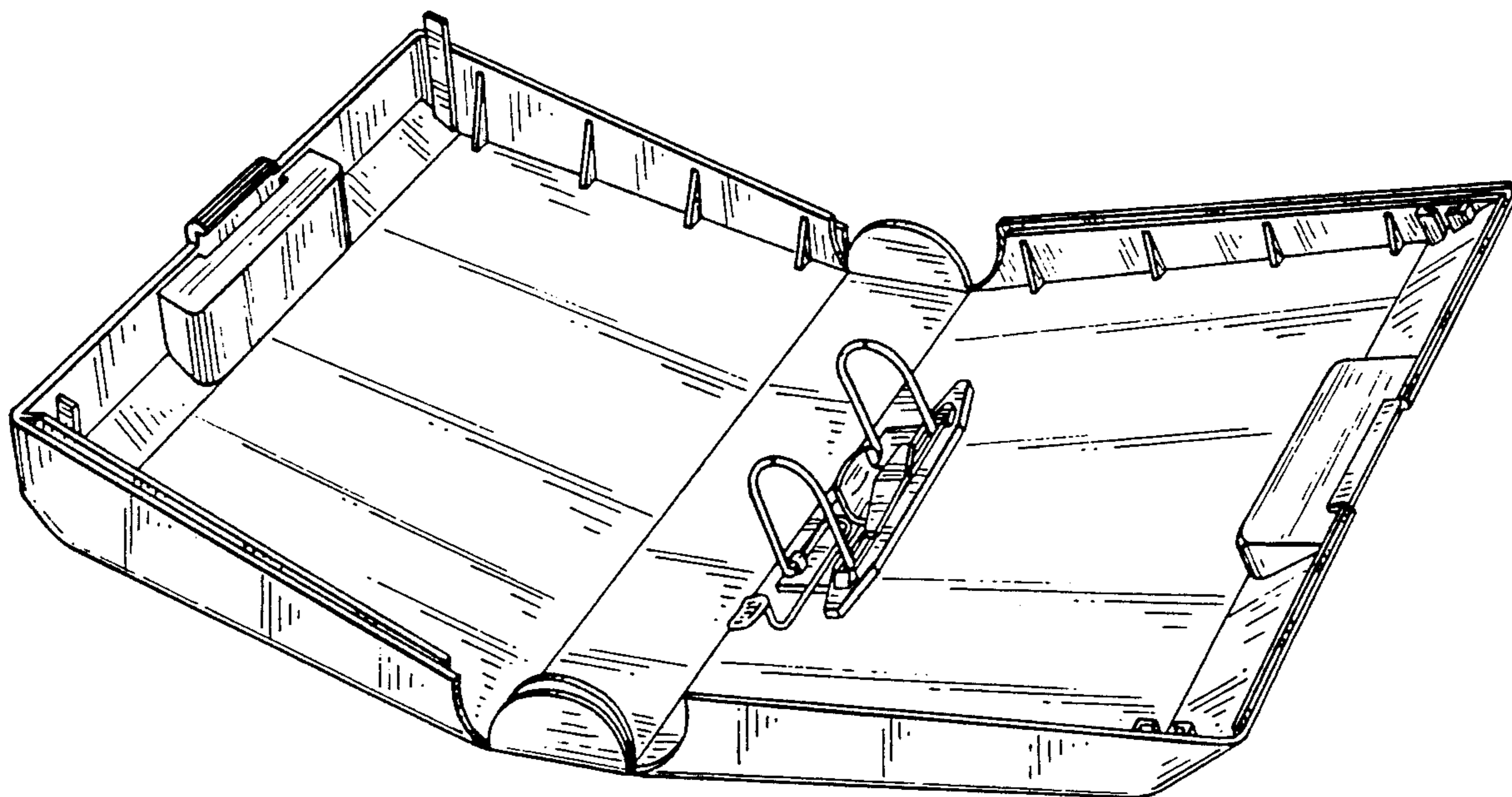
*Primary Examiner*—Nelson C. Holtje  
*Assistant Examiner*—Martie Thompson  
*Attorney, Agent, or Firm*—Ostrolenk, Faber, Gerb & Soffen

[57] **CLAIM**

The ornamental design for a filing case, as shown and described.

**DESCRIPTION**

FIG. 1 is a top plan view of a filing case showing my new design;  
FIG. 2 is a side elevational view;  
FIG. 3 is an end elevational view;  
FIG. 4 is a side elevational view of the side opposite that shown in the FIG. 2 view;  
FIG. 5 is a bottom plan view;  
FIG. 6 is a side elevational view in an opened condition with outer wall shown partially cut away; and,  
FIG. 7 is a perspective view thereof in an opened condition.



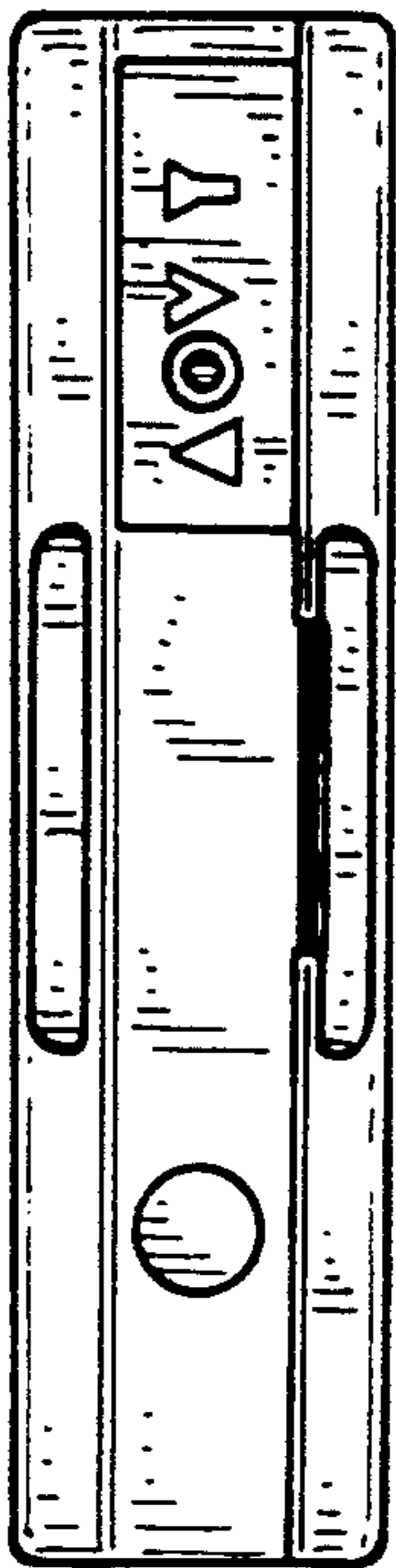


FIG. 1.

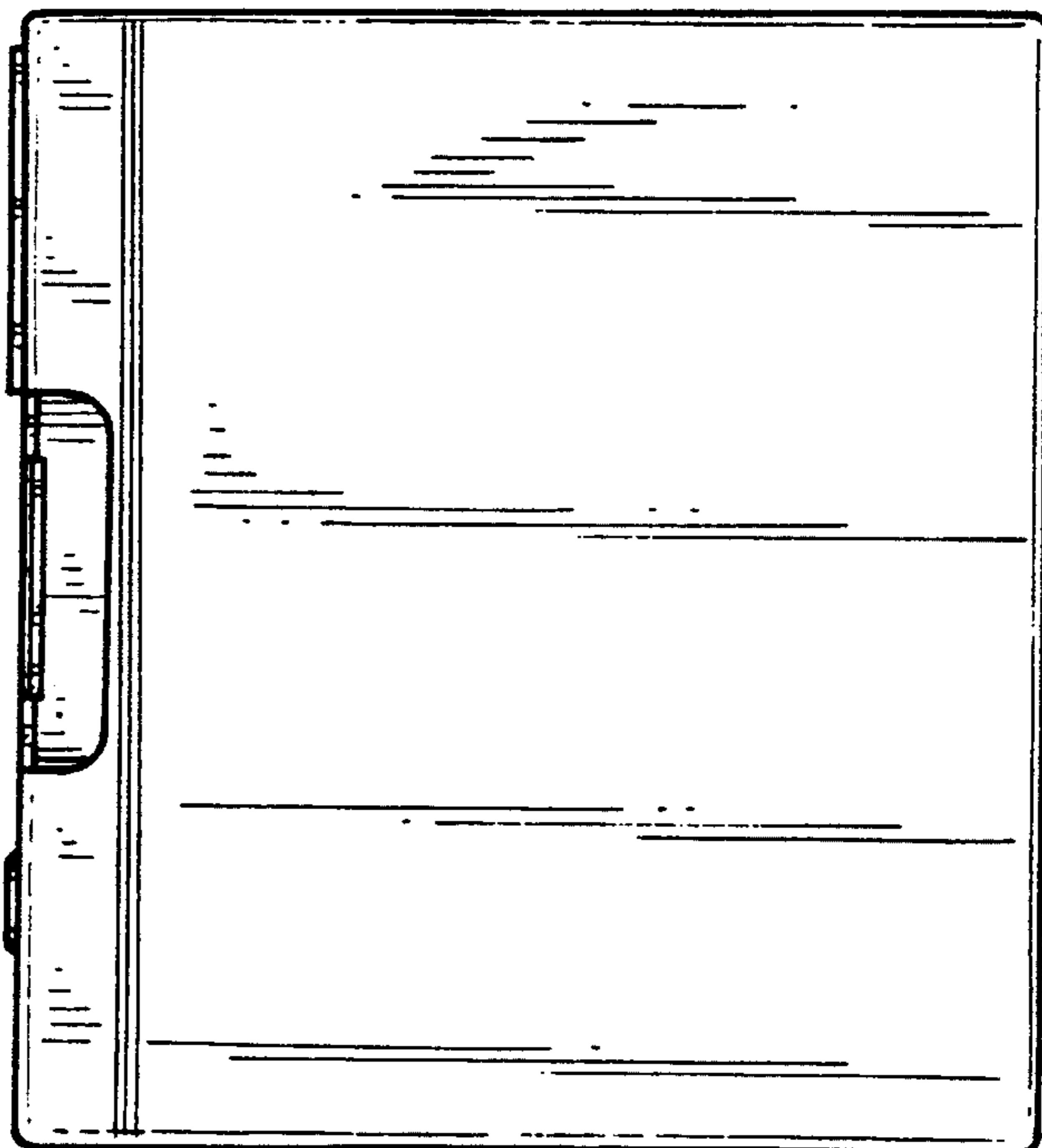


FIG. 2.

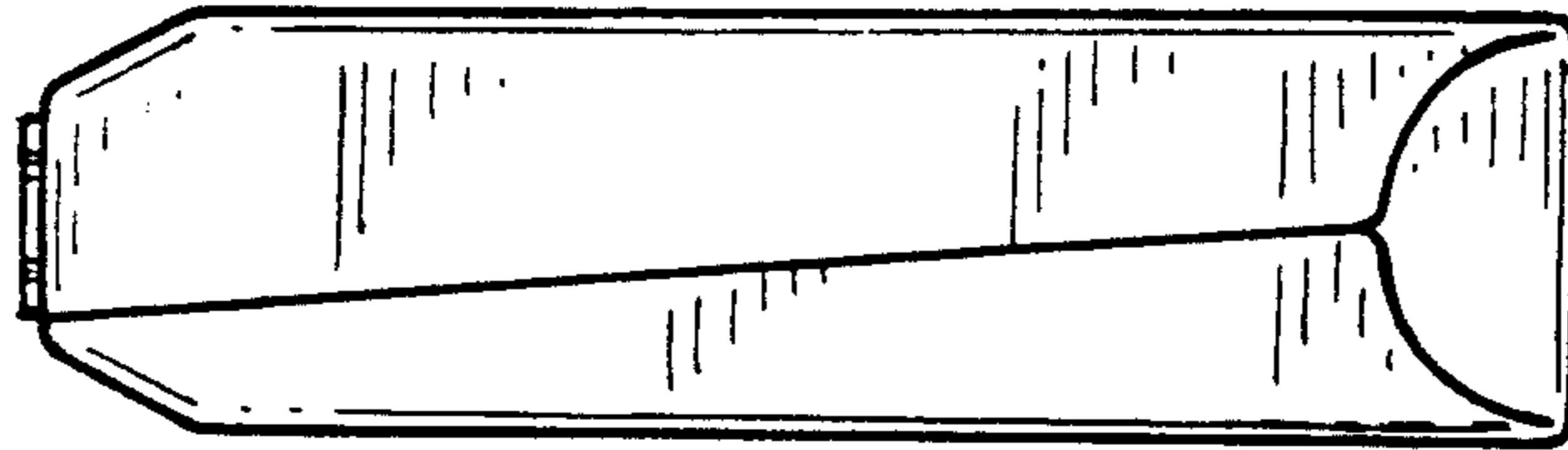


FIG. 3.

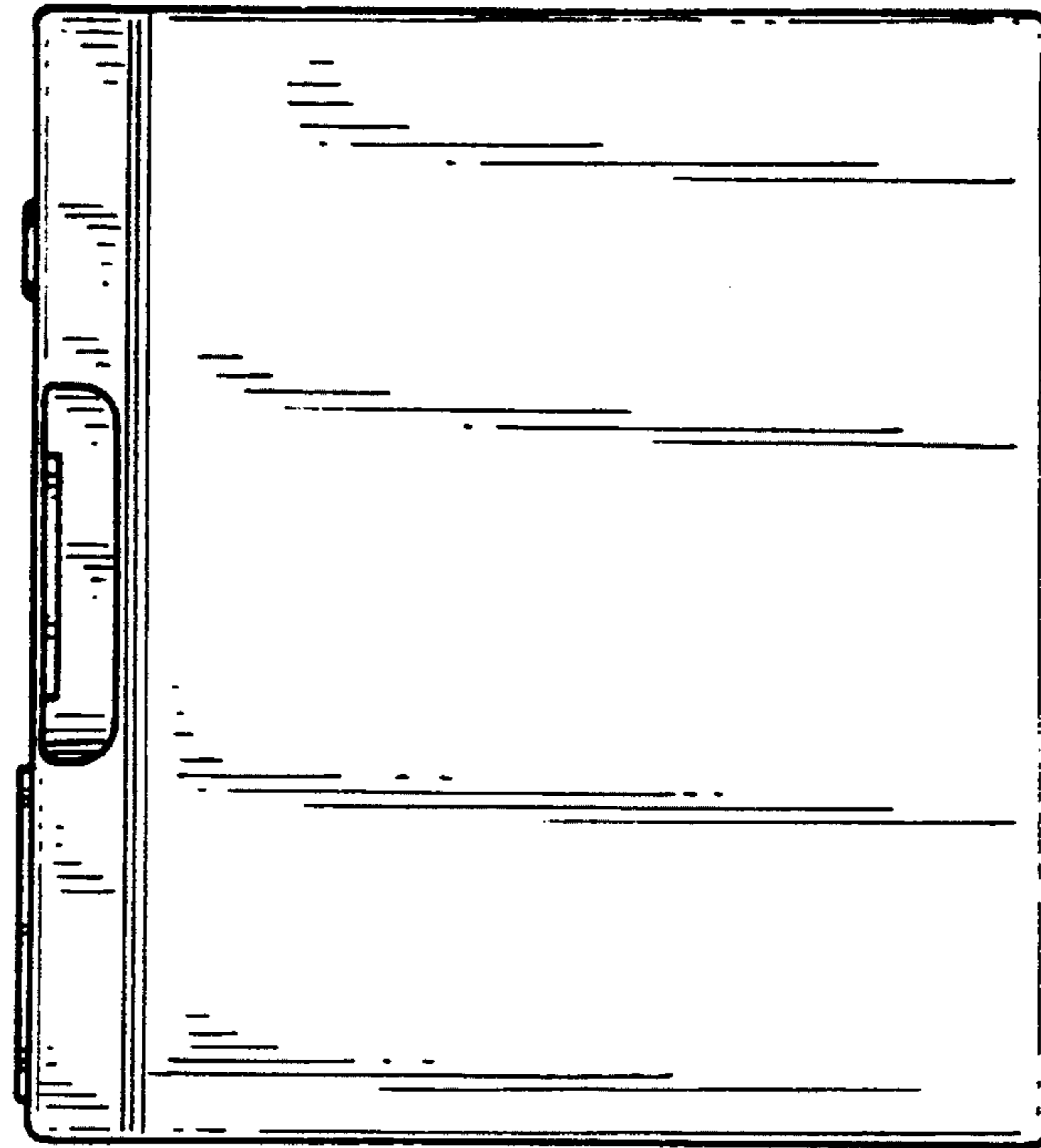


FIG. 4.

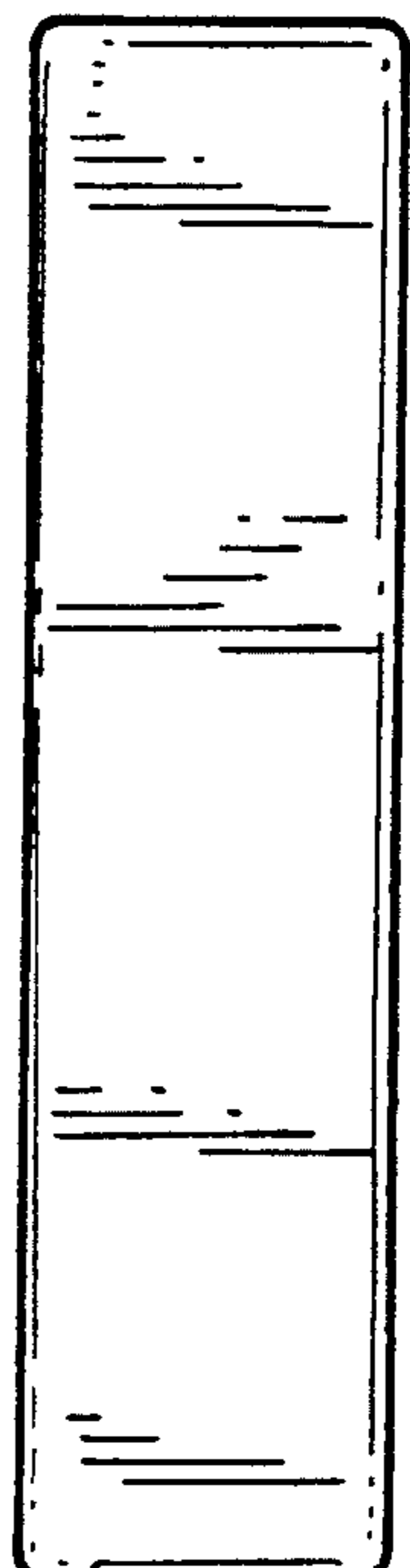


FIG. 5.

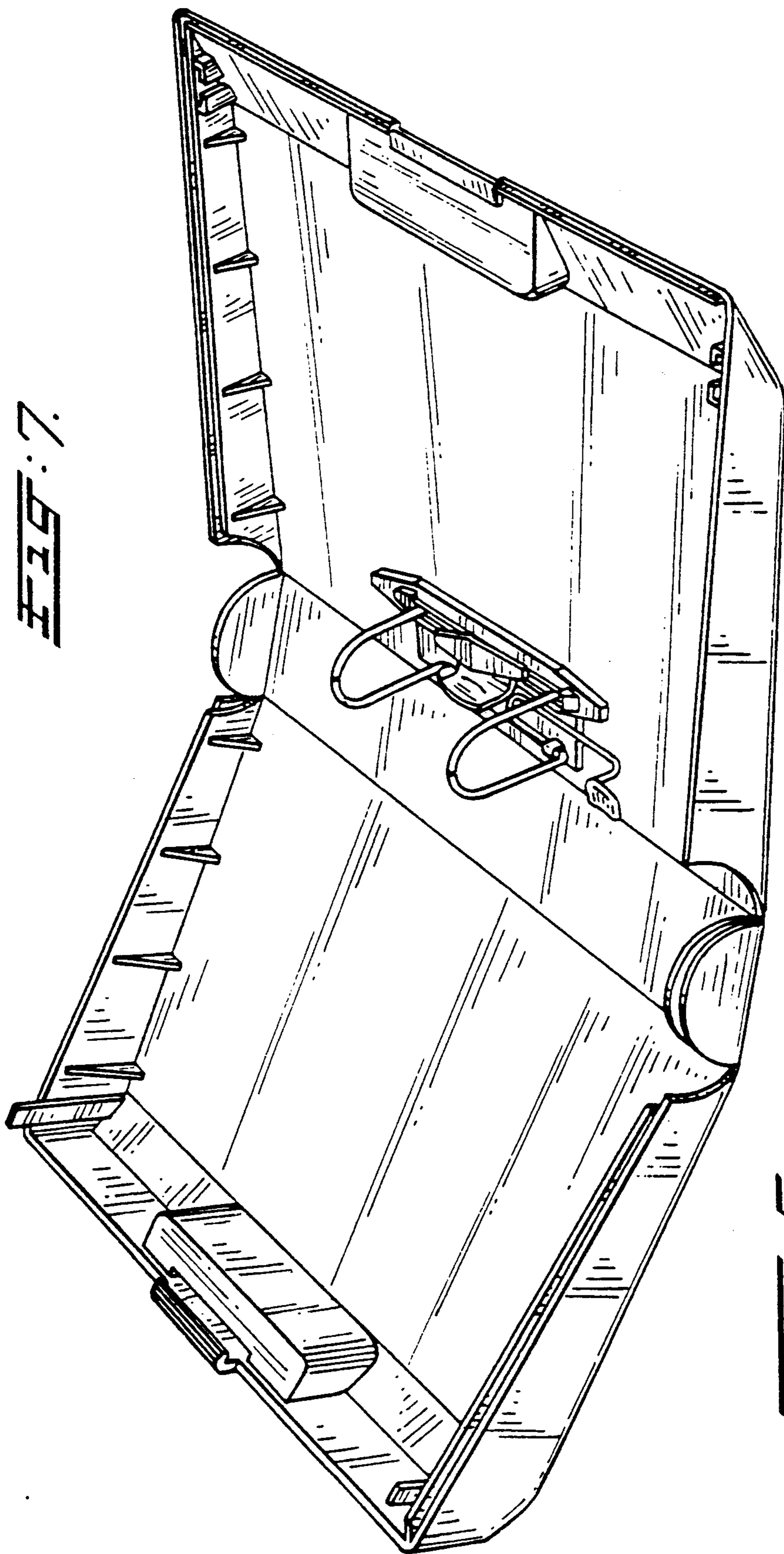


FIG. 7.

FIG. 6.

