



US00D341624S

United States Patent [19]

[11] Patent Number: **Des. 341,624**

Evenson et al.

[45] Date of Patent: **** Nov. 23, 1993**

[54] **COMBINED WALL-MOUNTABLE PENCIL CUP AND PAPER CLIP HOLDER**

D. 328,783 8/1992 Vander Meulen et al. D23/290
3,135,392 6/1964 Elkins D7/620 X
3,850,398 11/1974 Kantor D7/620 X

[75] Inventors: **Mel Evenson; John Melzian**, both of Rancho Palos Verdes, Calif.

Primary Examiner—Nelson C. Holtje
Assistant Examiner—Martha Thompson
Attorney, Agent, or Firm—Richard B. O'Planick; Lisa B. Riedesel

[73] Assignee: **Rubbermaid Office Products Group Inc.**, Inglewood, Calif.

[**] Term: **14 Years**

[57] CLAIM

[21] Appl. No.: **928,194**

The ornamental design for a combined wall-mountable pencil cup and paper clip holder, as shown and described.

[22] Filed: **Aug. 12, 1992**

[52] U.S. Cl. **D19/77; D19/75; D19/85; D6/553**

DESCRIPTION

[58] Field of Search **D19/65, 75, 77, 78, D19/81-85; D6/469, 475, 553, 535, 540; 206/214, 224, 371; 211/69.1-69.9; D7/620, 619; D23/284, 290**

FIG. 1 is a front elevational view of a combined wall-mountable pencil cup and paper clip holder showing our new design;

FIG. 2 is a rear elevational view;

FIG. 3 is a left side elevational view;

FIG. 4 is a right side elevational view;

FIG. 5 is a top plan view;

FIG. 6 is a bottom plan view; and,

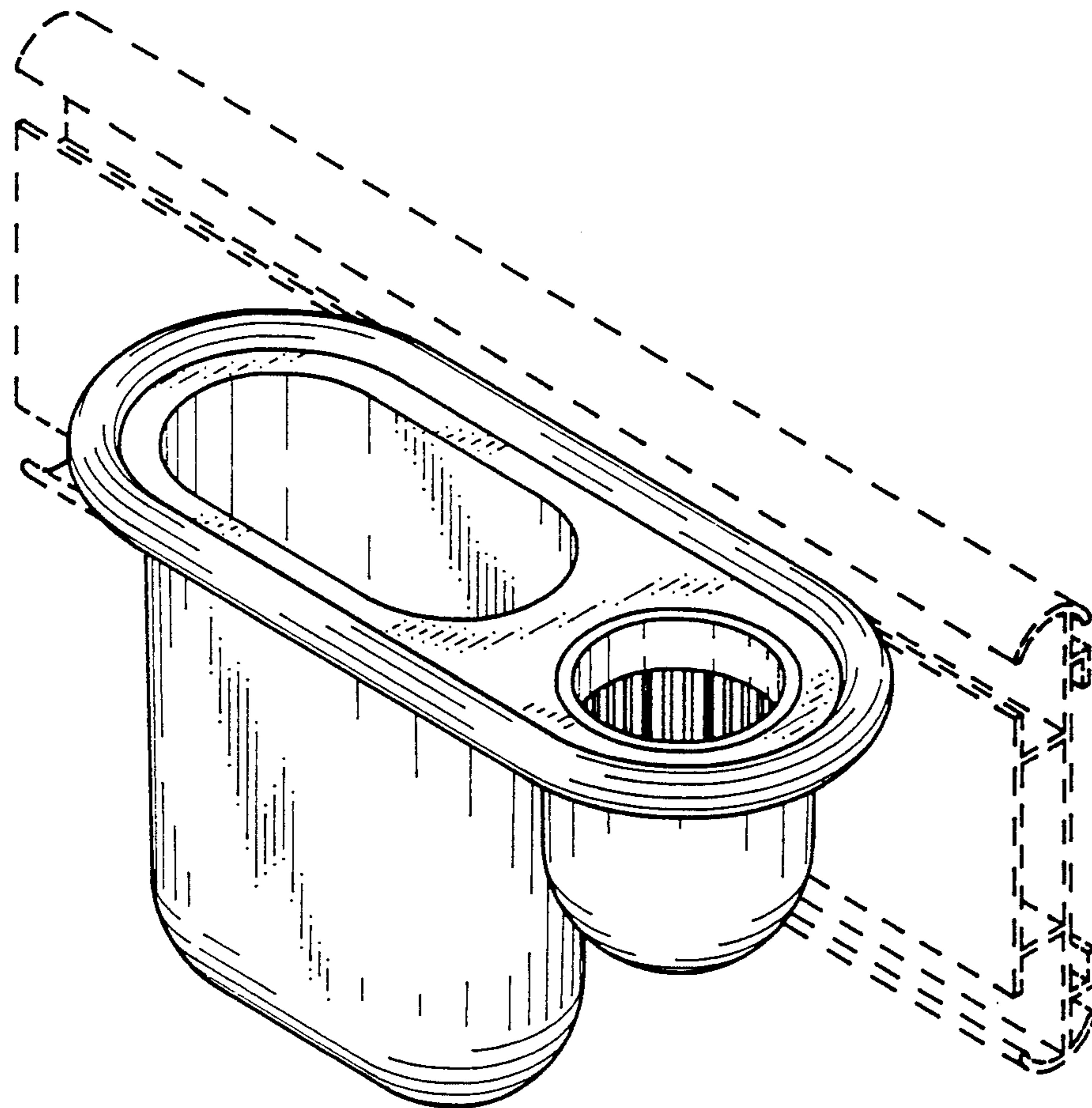
FIG. 7 is a perspective view thereof.

The fragmentary showing of a wall bracket depicted by means of broken lines in FIG. 7 has been shown for illustrative purposes only and forms no part of the claimed design.

[56] References Cited

U.S. PATENT DOCUMENTS

D. 257,113 9/1980 McCaffrey D7/620 X
D. 297,693 9/1988 Norstedt D6/553
D. 301,976 7/1989 Greenhut et al. D6/553 X
D. 318,104 7/1991 Blanc et al. D23/290
D. 323,853 2/1992 Evenson D19/77



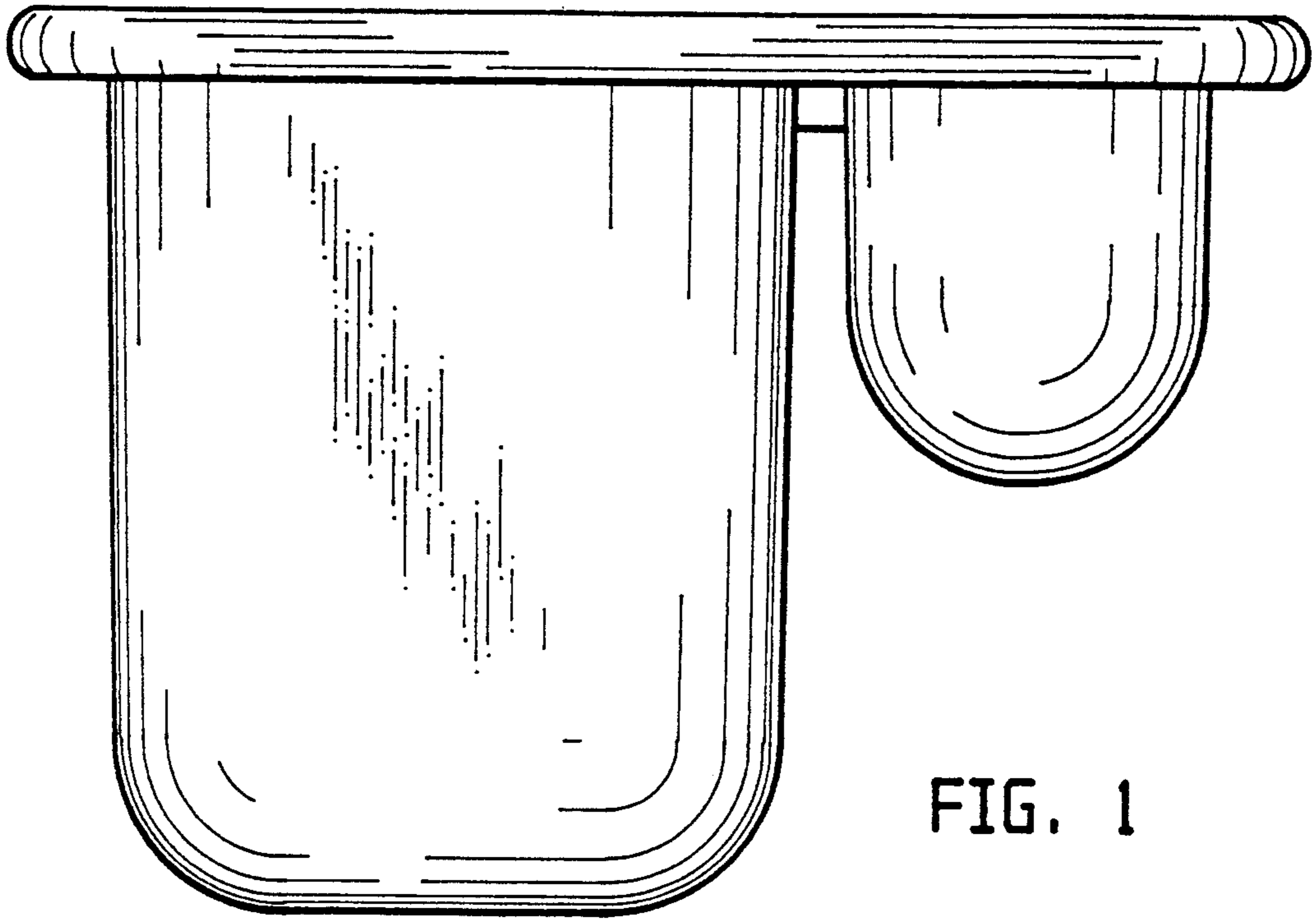


FIG. 1

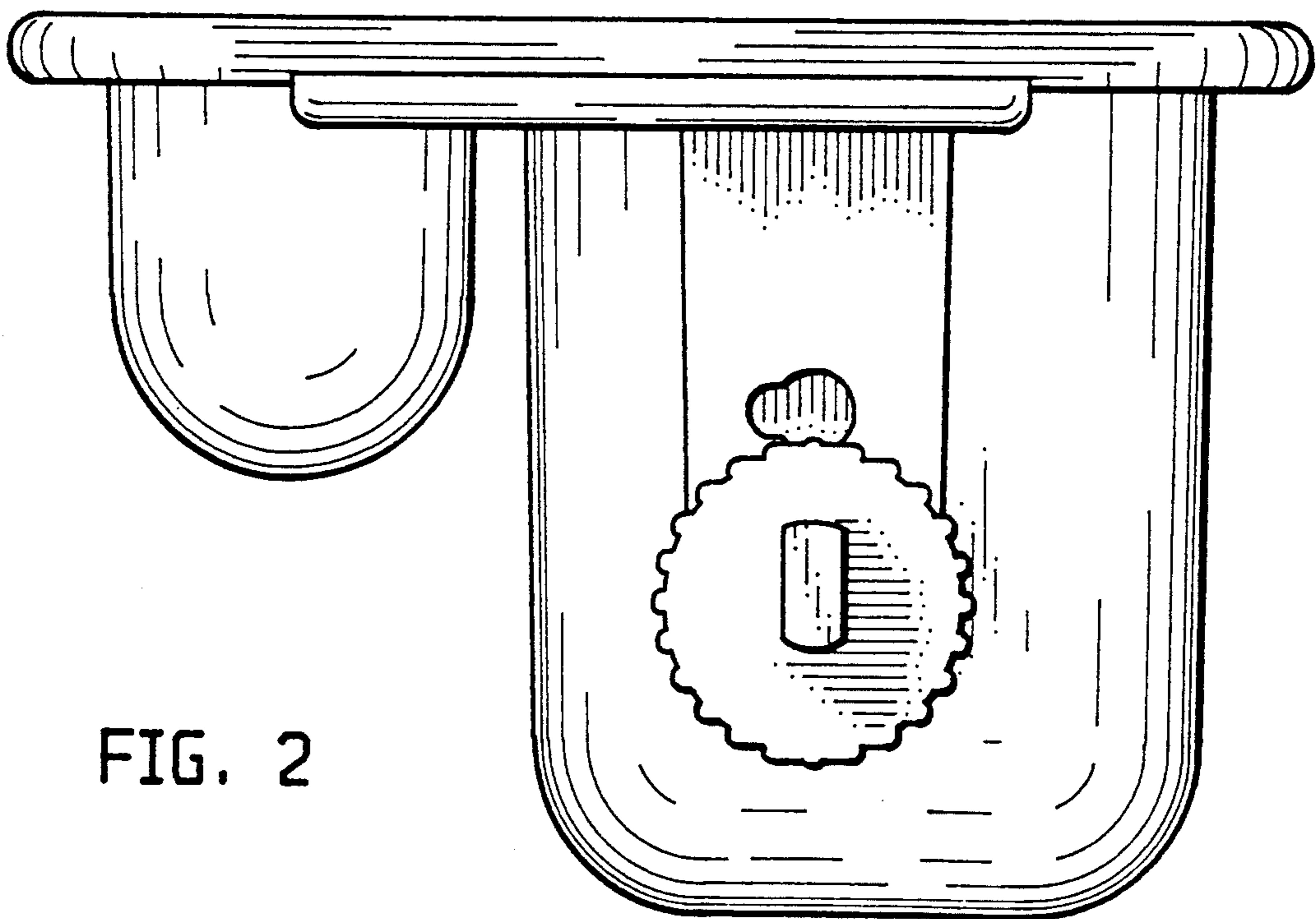


FIG. 2

FIG. 3

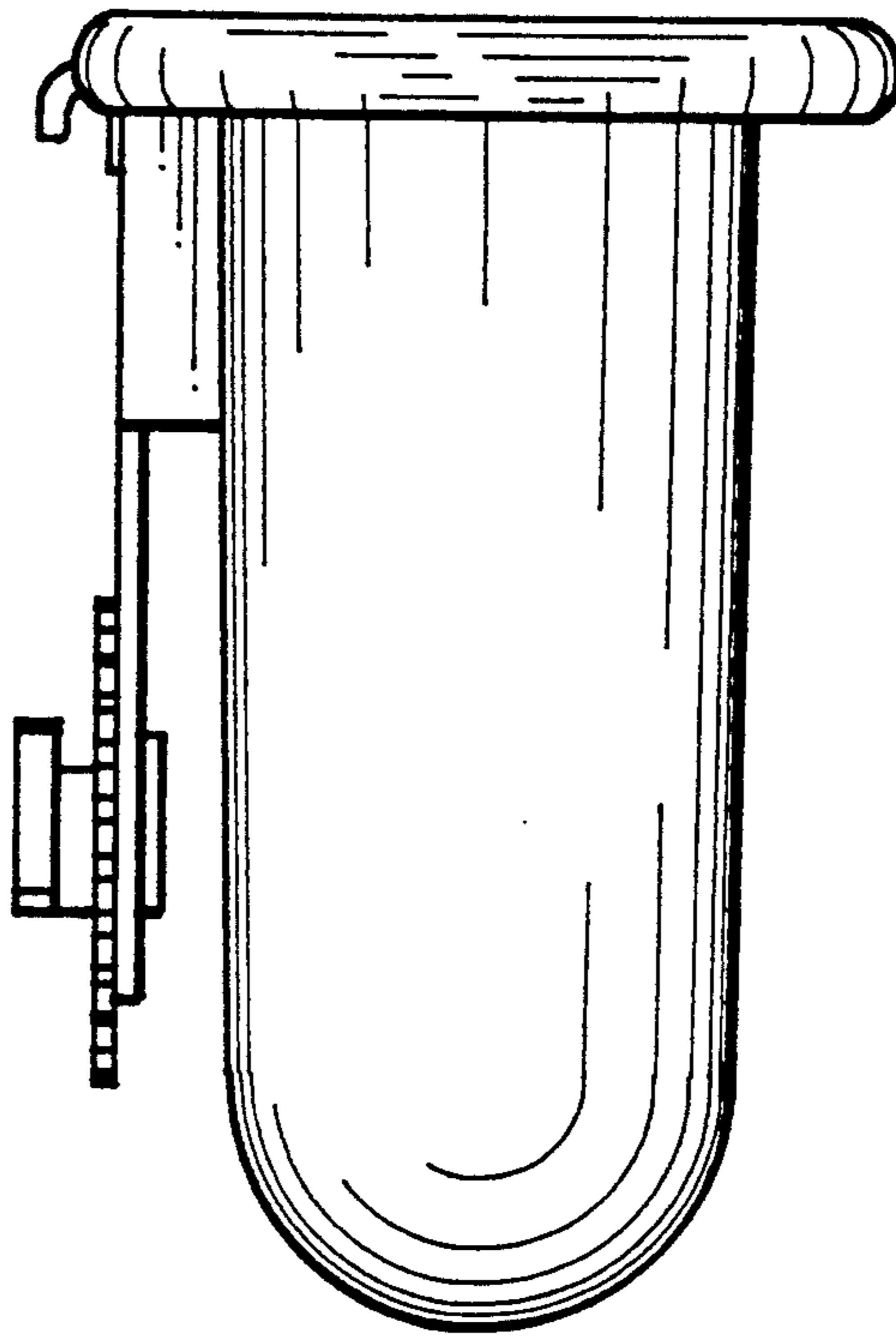


FIG. 4

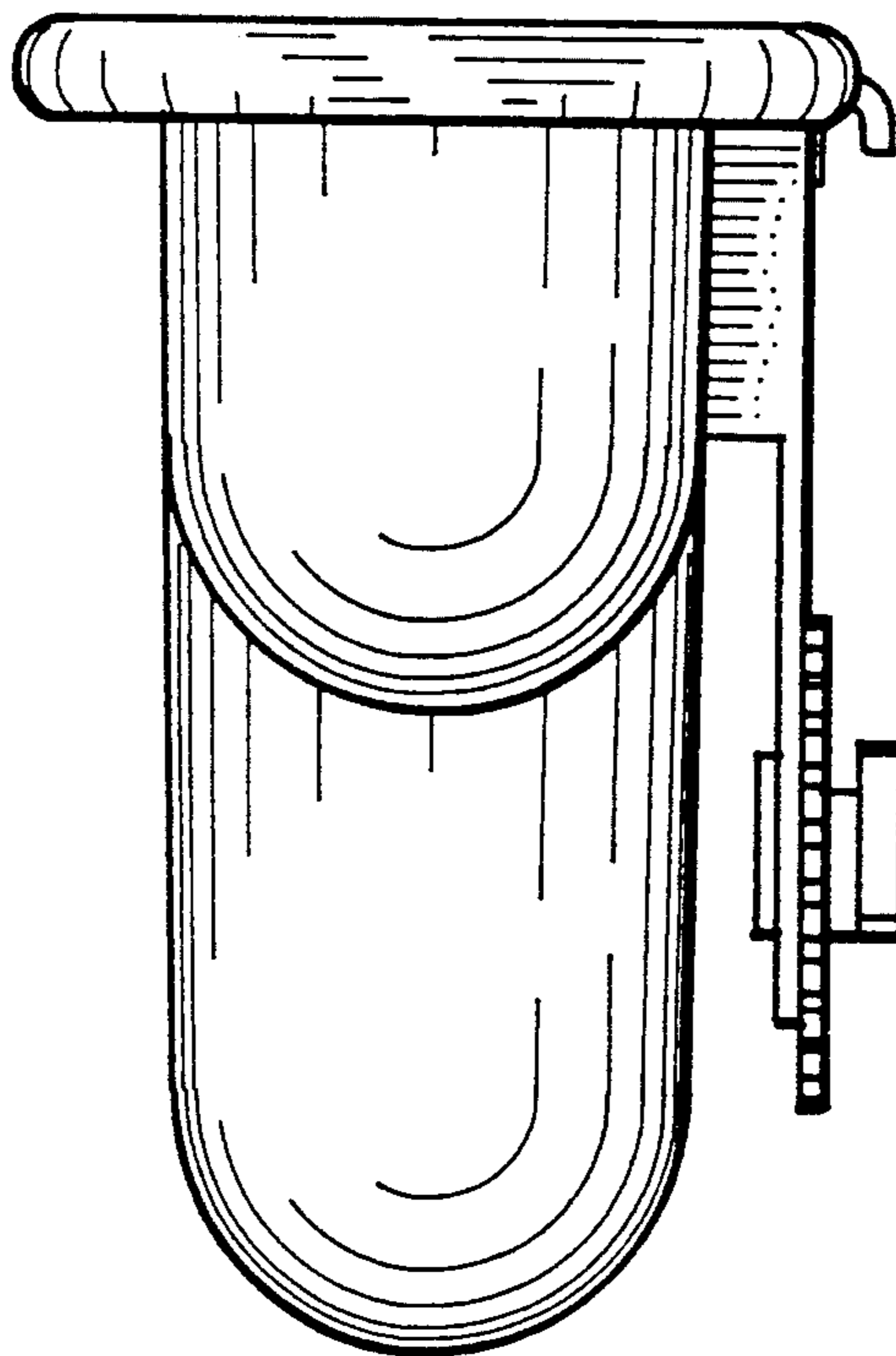


FIG. 5

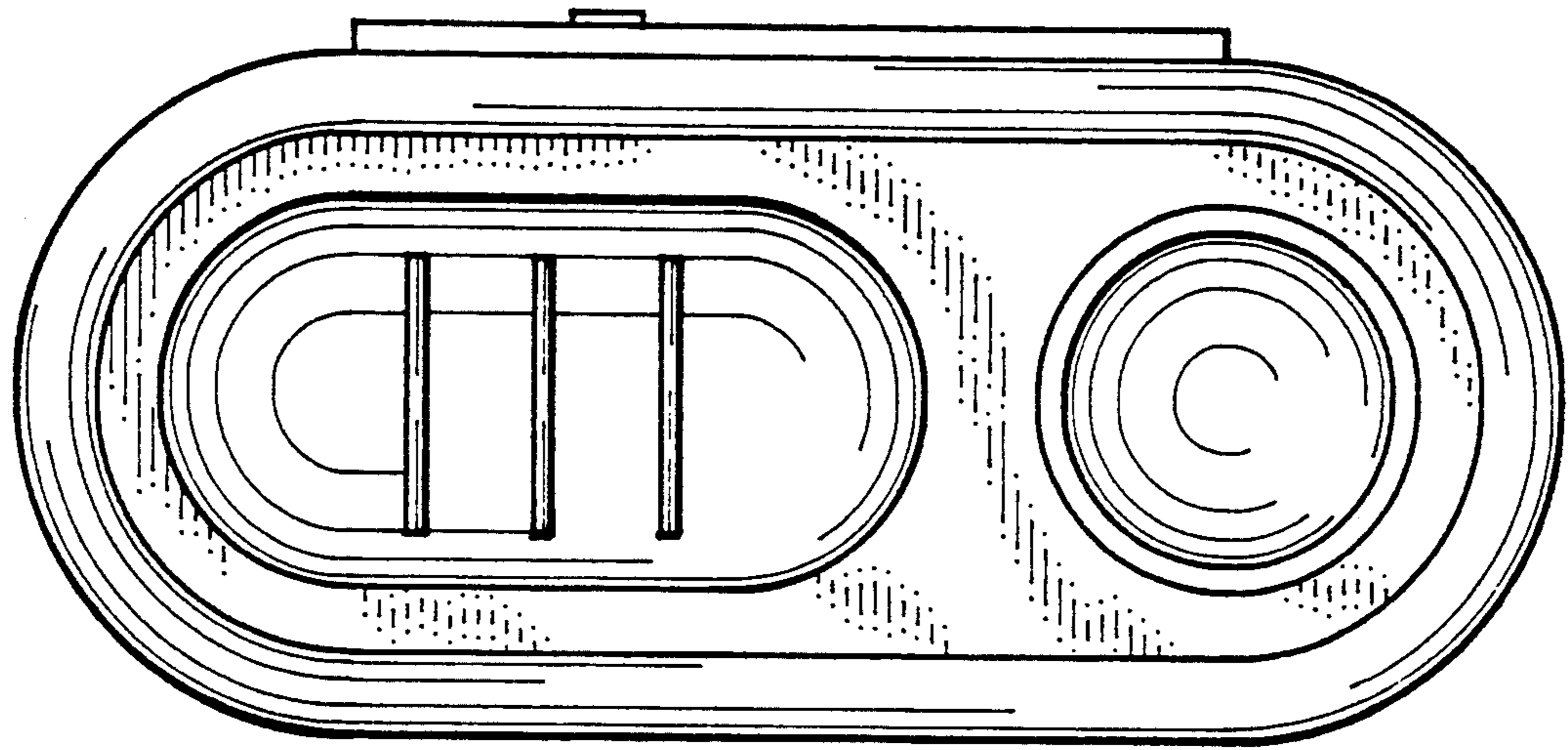


FIG. 6

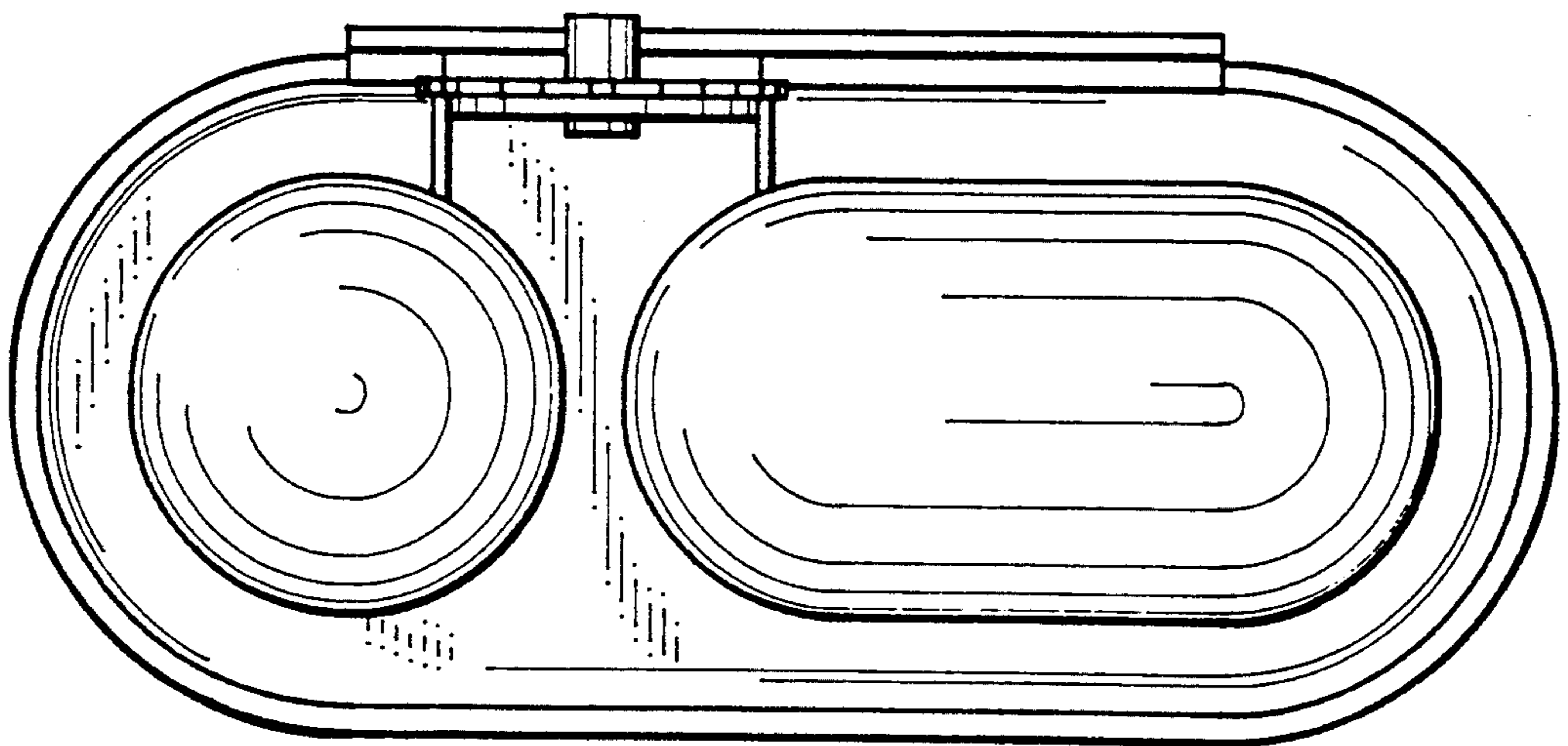


FIG. 7

