



US00D341621S

United States Patent [19]
Evenson

[11] **Patent Number: Des. 341,621**

[45] **Date of Patent: ** Nov. 23, 1993**

[54] **BOOKENDS**

[75] **Inventor: Mel Evenson, San Pedro, Calif.**

[73] **Assignee: Rubbermaid Office Products Group Inc., Inglewood, Calif.**

[**] **Term: 14 Years**

[21] **Appl. No.: 896,472**

[22] **Filed: Jun. 9, 1992**

[52] **U.S. Cl. D19/34.1; 211/42**

[58] **Field of Search D19/34.1, 34.2, 34.3, D19/34.4, 34.5; 211/42, 43, 183; D16/128; D8/354, 323-329**

[56] **References Cited**

U.S. PATENT DOCUMENTS

D. 73,215	8/1927	Wessel	D19/34.1
D. 333,150	2/1993	Brüssing	D19/34.1
2,031,698	2/1936	Fanzoi	211/43
3,385,450	5/1968	Nadler et al.	211/42

FOREIGN PATENT DOCUMENTS

2149	5/1878	United Kingdom	211/42
170083	10/1921	United Kingdom	211/42

Primary Examiner—Wallace R. Burke
Assistant Examiner—Pamela Burgess
Attorney, Agent, or Firm—Richard B. O'Planick; Lisa B. Riedesel

[57] **CLAIM**

The ornamental design for a bookend, as shown and described.

DESCRIPTION

FIG. 1 is a front elevational view of a bookend showing my new design;
FIG. 2 is a rear elevational view;
FIG. 3 is a side elevational view; the opposite side being a mirror image;
FIG. 4 is a top plan view;
FIG. 5 is a bottom plan view; and,
FIG. 6 is a perspective view.

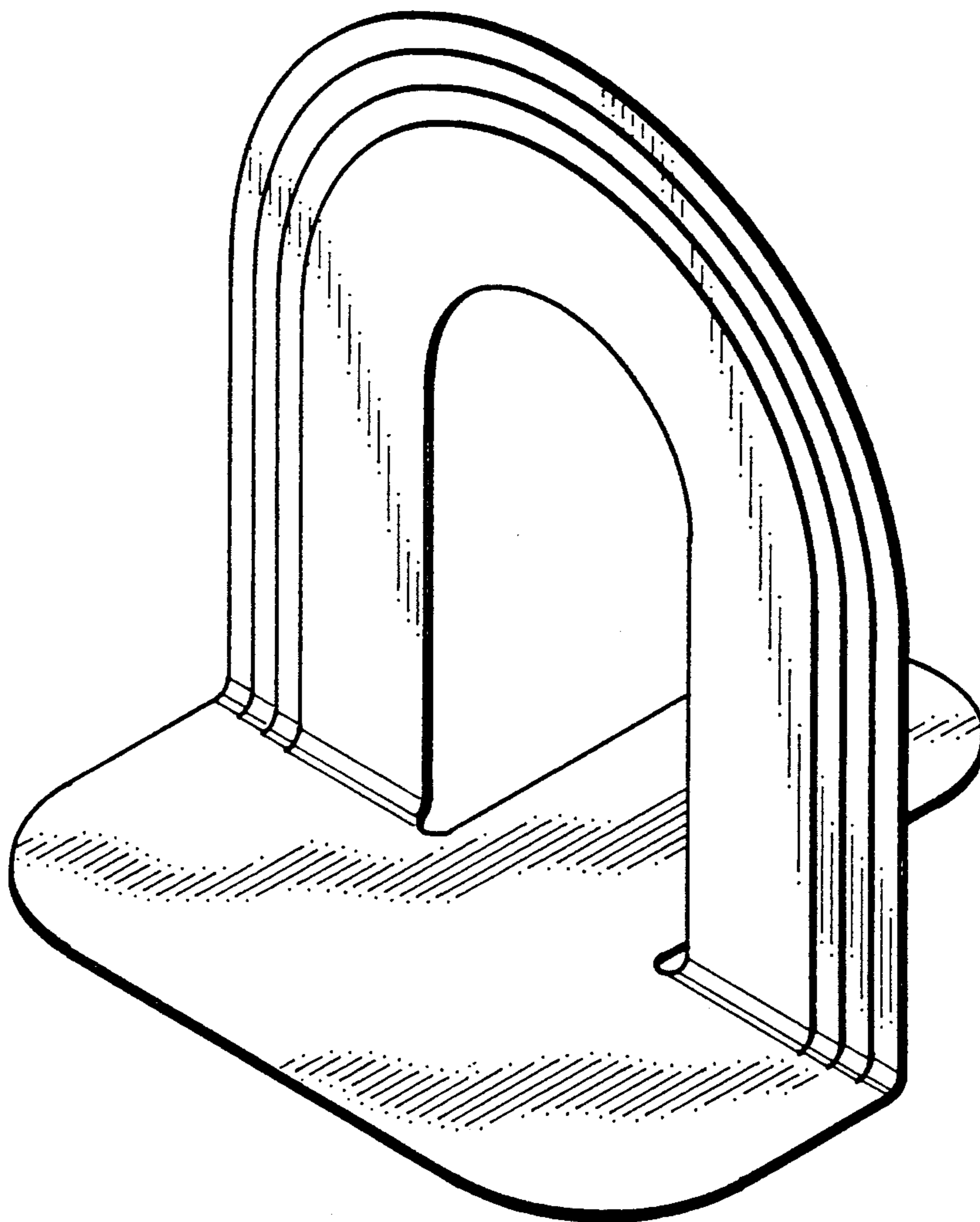


FIG. 2

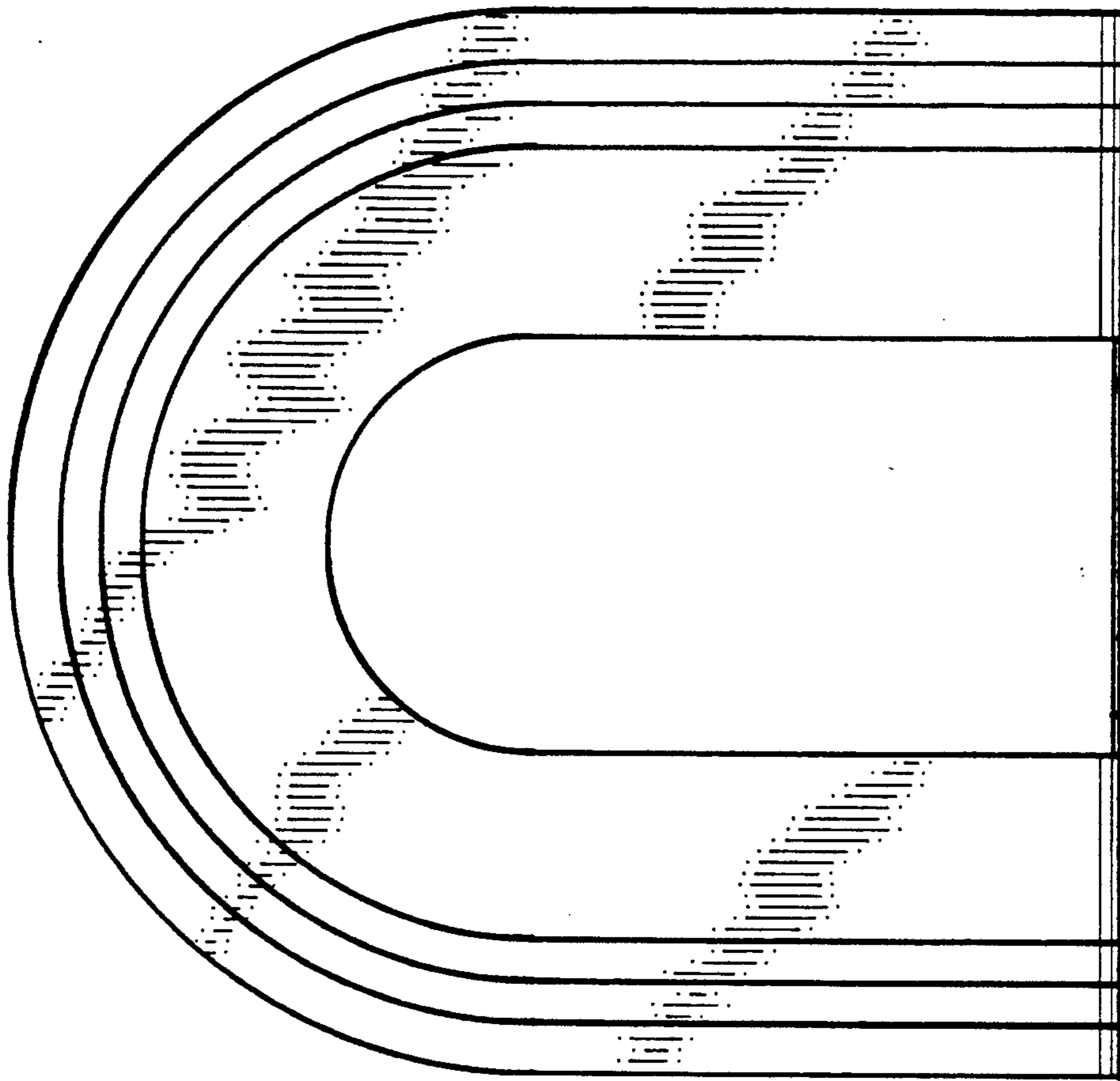
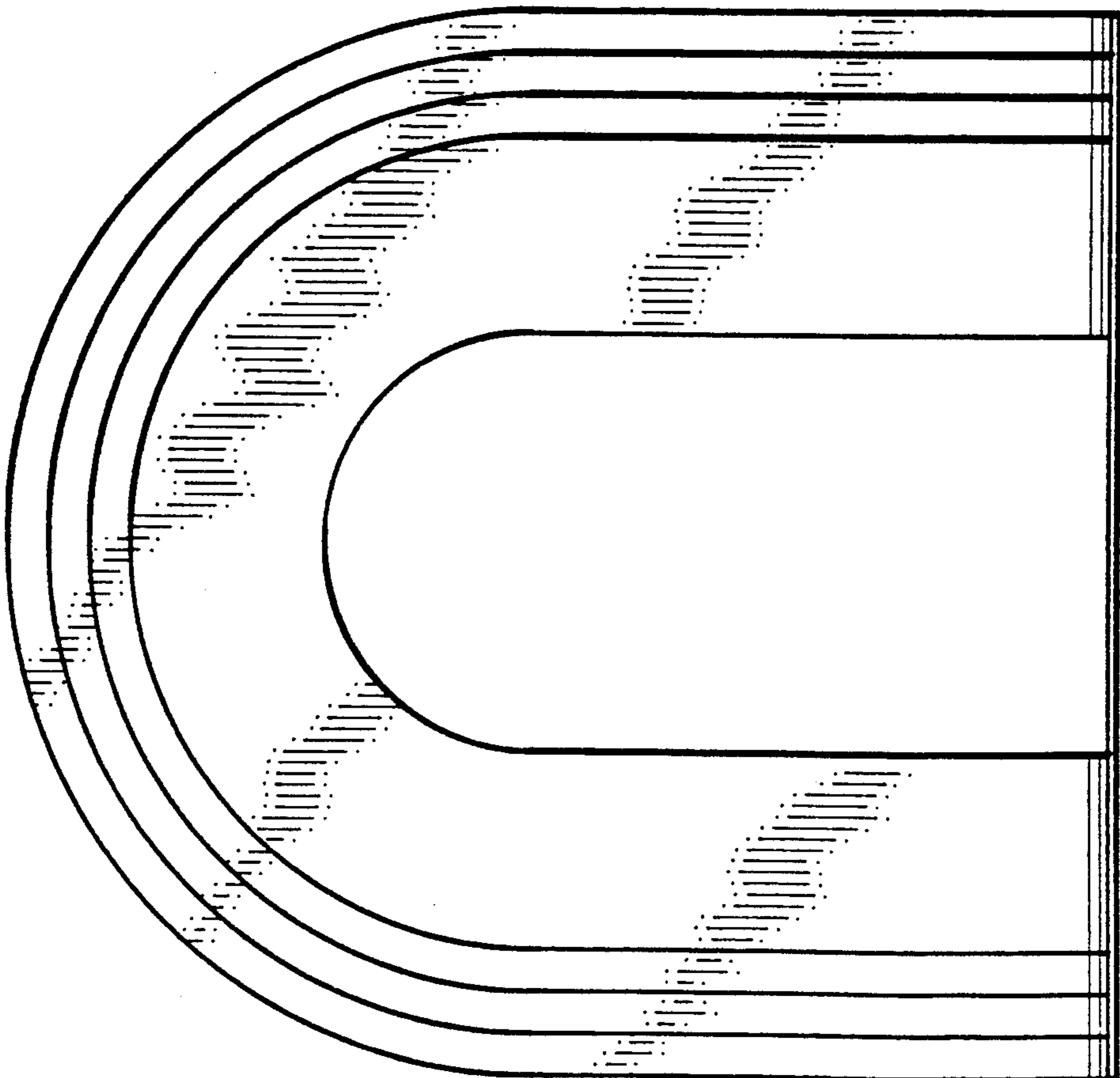


FIG. 1



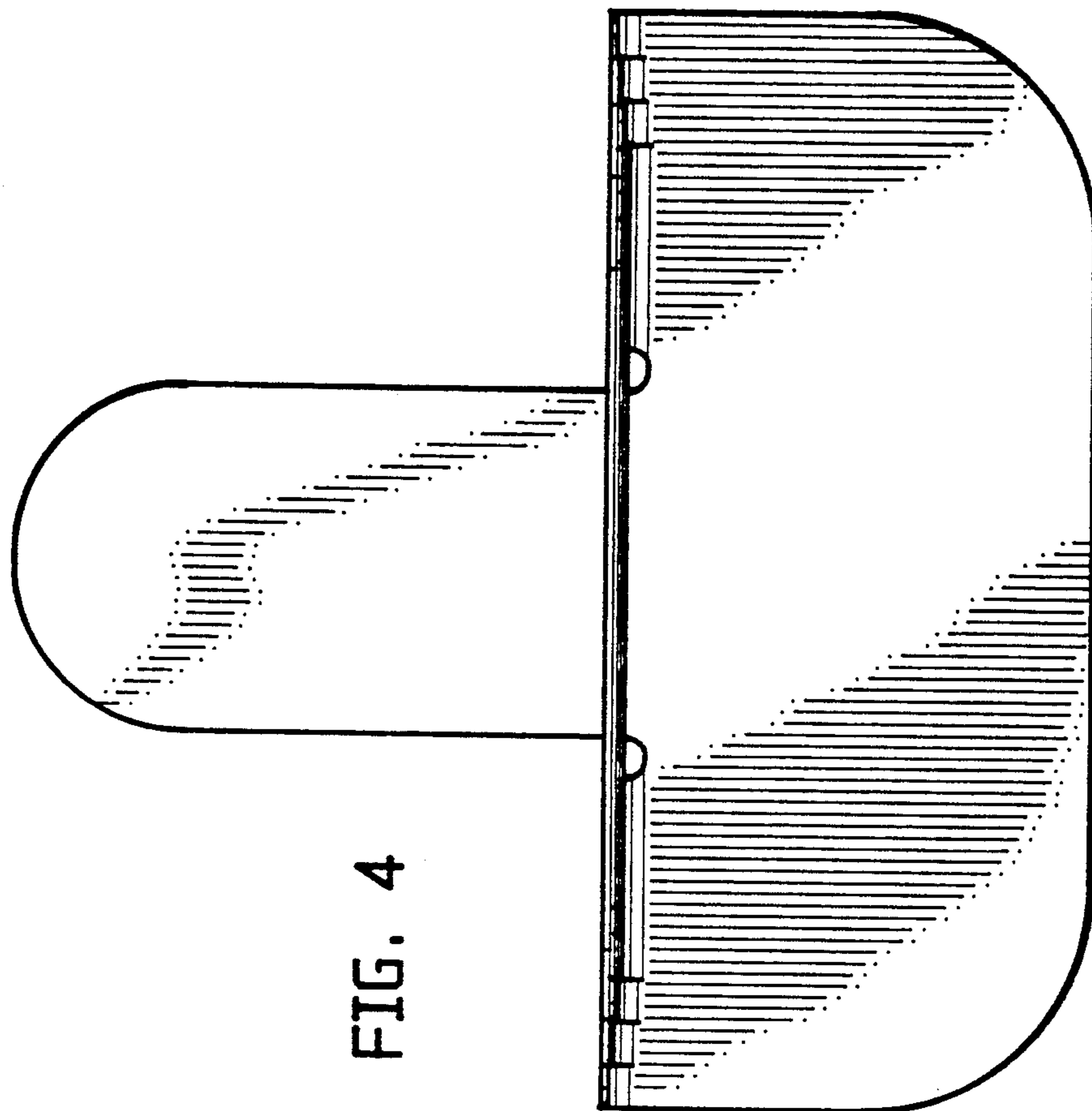


FIG. 4

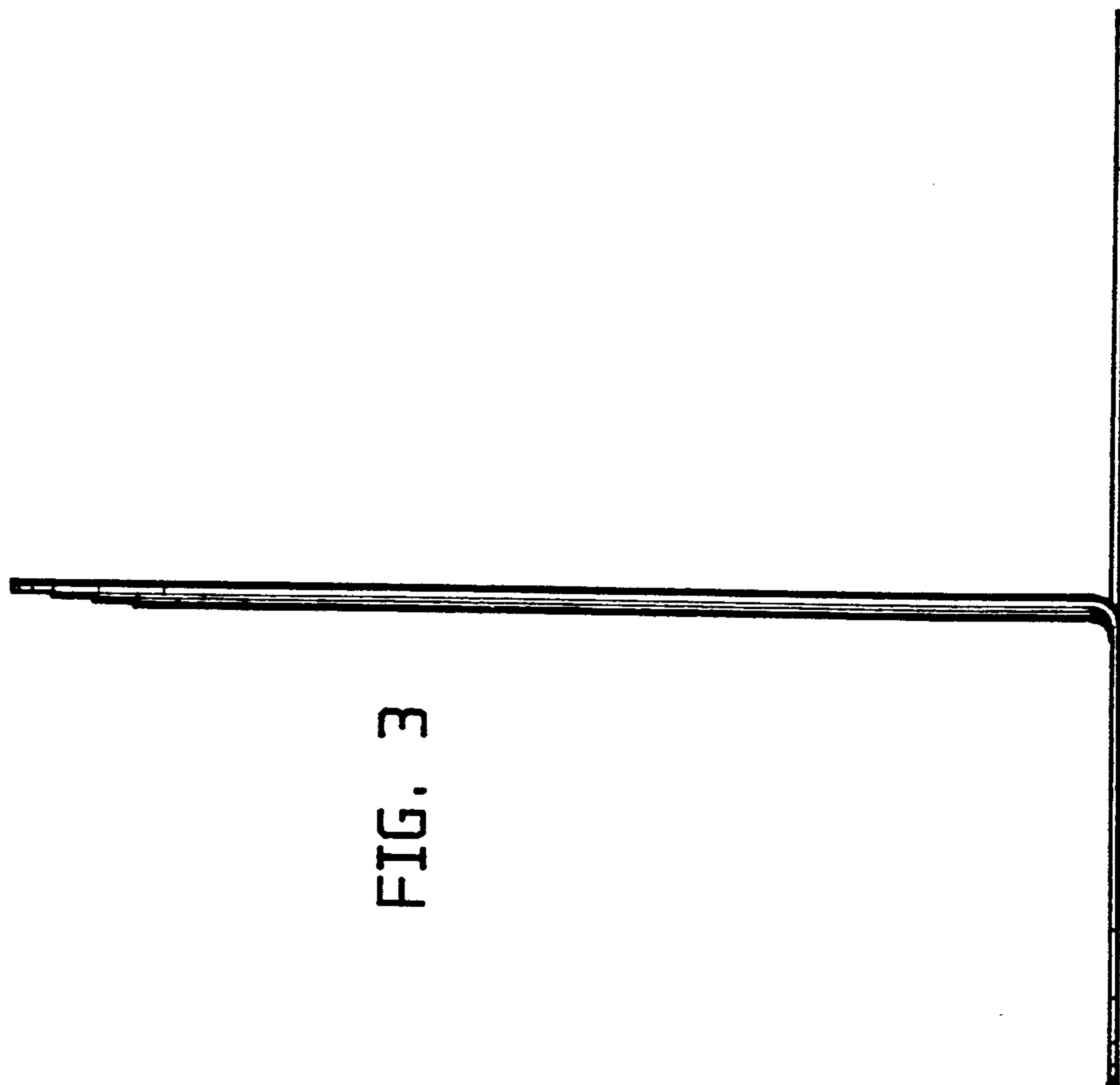


FIG. 3

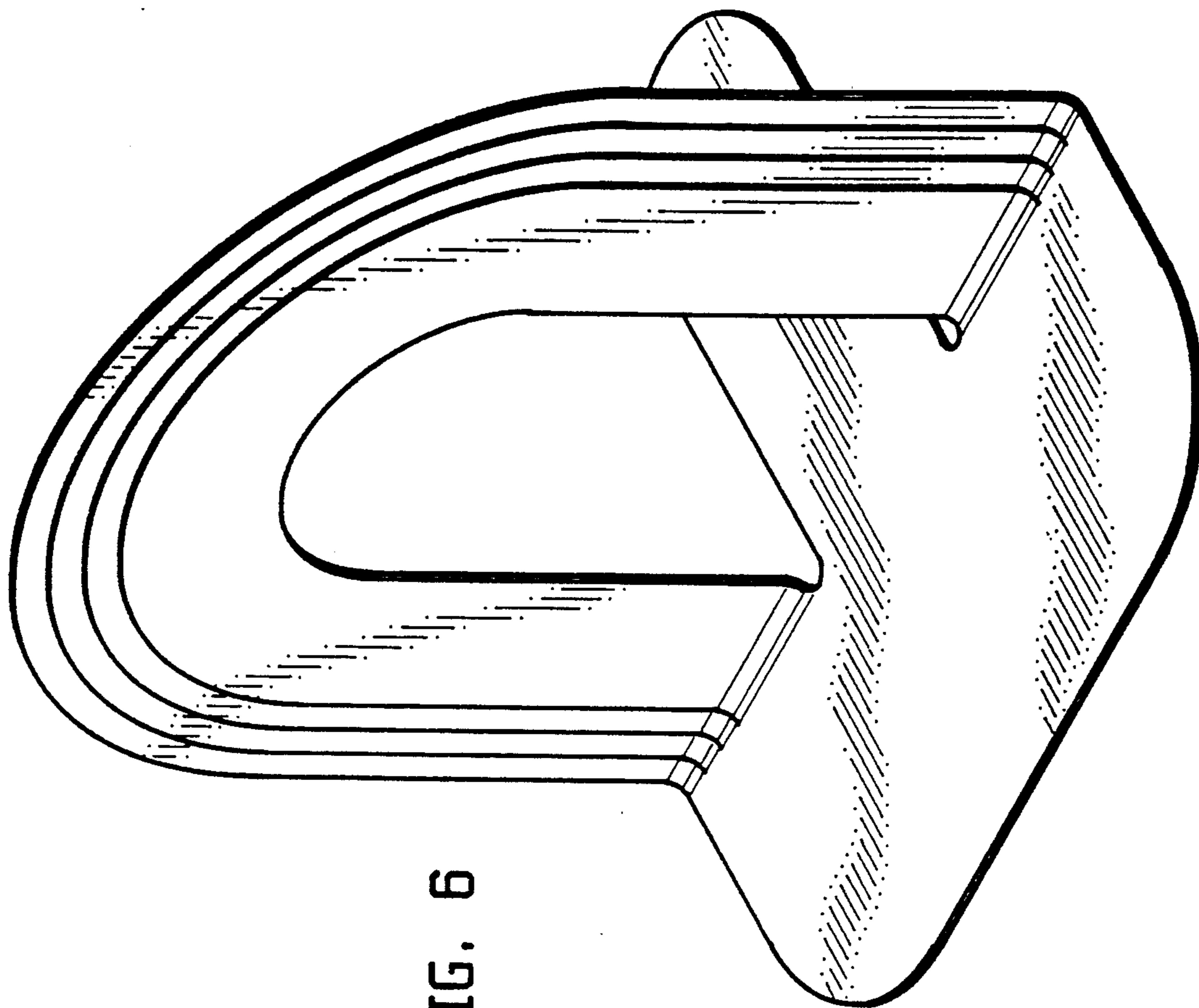


FIG. 6

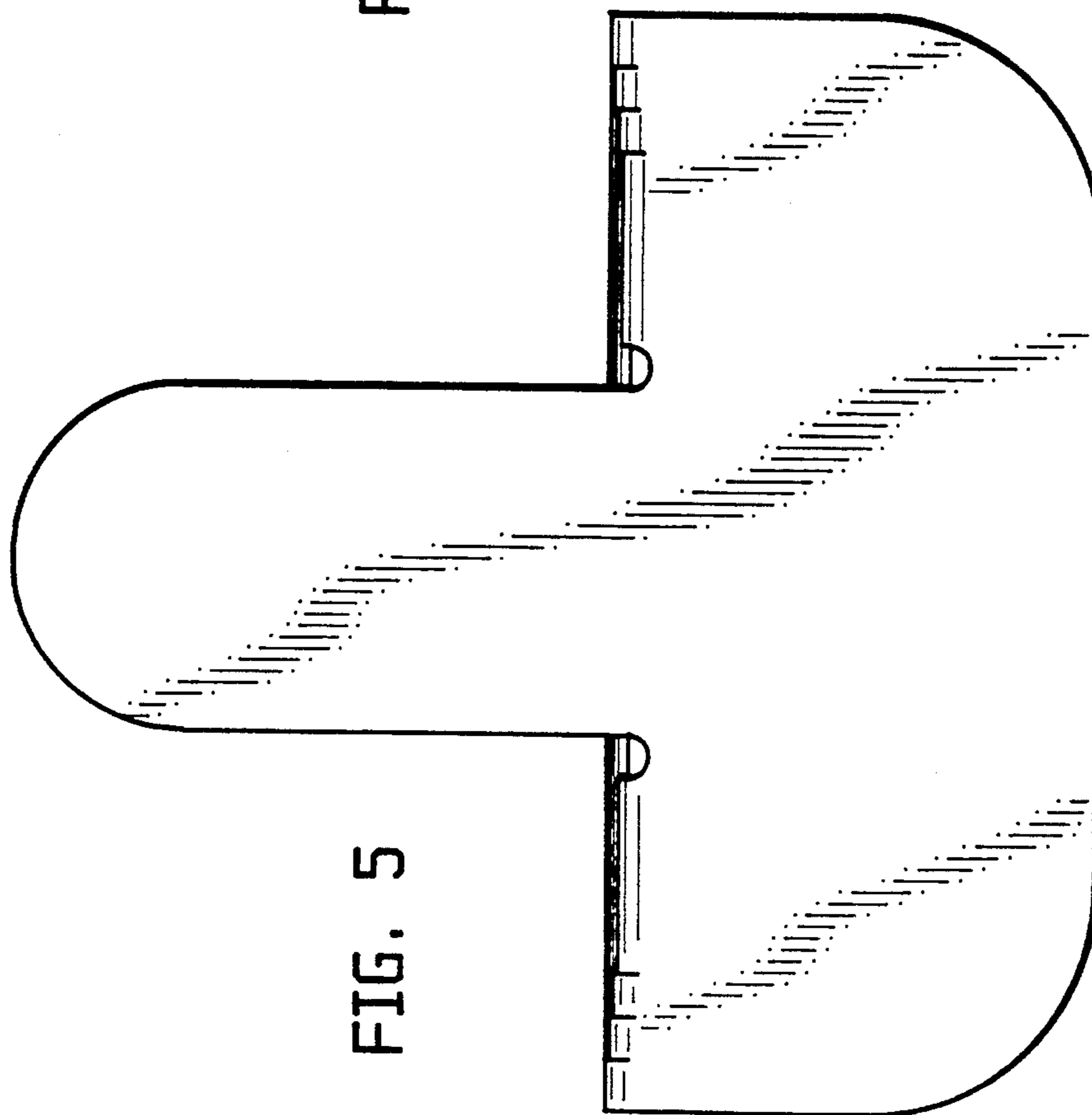


FIG. 5