



US00D341618S

United States Patent [19]

[11] Patent Number: **Des. 341,618**

Fukuda et al.

[45] Date of Patent: **** Nov. 23, 1993**

[54] **PROCESSOR FOR MAKING PHOTOGRAPHIC PRINTS**

[75] Inventors: **Hiroshi Fukuda, Kanagawa; Aya Itow; Kazuki Nakajima, both of Tokyo, all of Japan**

[73] Assignee: **Fuji Photo Film Co., Ltd., Kanagawa, Japan**

[**] Term: **14 Years**

[21] Appl. No.: **804,500**

[22] Filed: **Dec. 10, 1991**

[30] **Foreign Application Priority Data**

Jun. 28, 1991 [JP] Japan 3-19327

[52] U.S. Cl. **D16/246; D18/38**

[58] Field of Search **D16/246-250; D18/36-39; 354/322; 355/27, 28, 200**

[56] **References Cited**

U.S. PATENT DOCUMENTS

D. 160,488 10/1950 Freeman D16/250

D. 214,814	7/1969	Bannasch et al.	D16/246
D. 272,157	1/1984	Raymond	D18/38
D. 272,360	1/1984	Schlagheck et al.	D16/247
D. 314,967	2/1991	Takahashi et al.	D16/246
3,354,779	11/1967	Brown	355/27
4,742,375	5/1988	Kogane et al.	355/28 X

Primary Examiner—Bernard Ansher
Assistant Examiner—Mitchell Siegel
Attorney, Agent, or Firm—Young & Thompson

[57] **CLAIM**

The ornamental design for a processor for making photographic prints, as shown.

DESCRIPTION

FIG. 1 is a front, top and side perspective view of a processor for making photographic prints, showing our new design;
FIG. 2 is a front elevational view thereof;
FIG. 3 is a rear elevational view thereof;
FIG. 4 is a top plan view thereof;
FIG. 5 is a bottom plan view thereof;
FIG. 6 is a left side elevational view thereof; and,
FIG. 7 is a right side elevational view thereof.

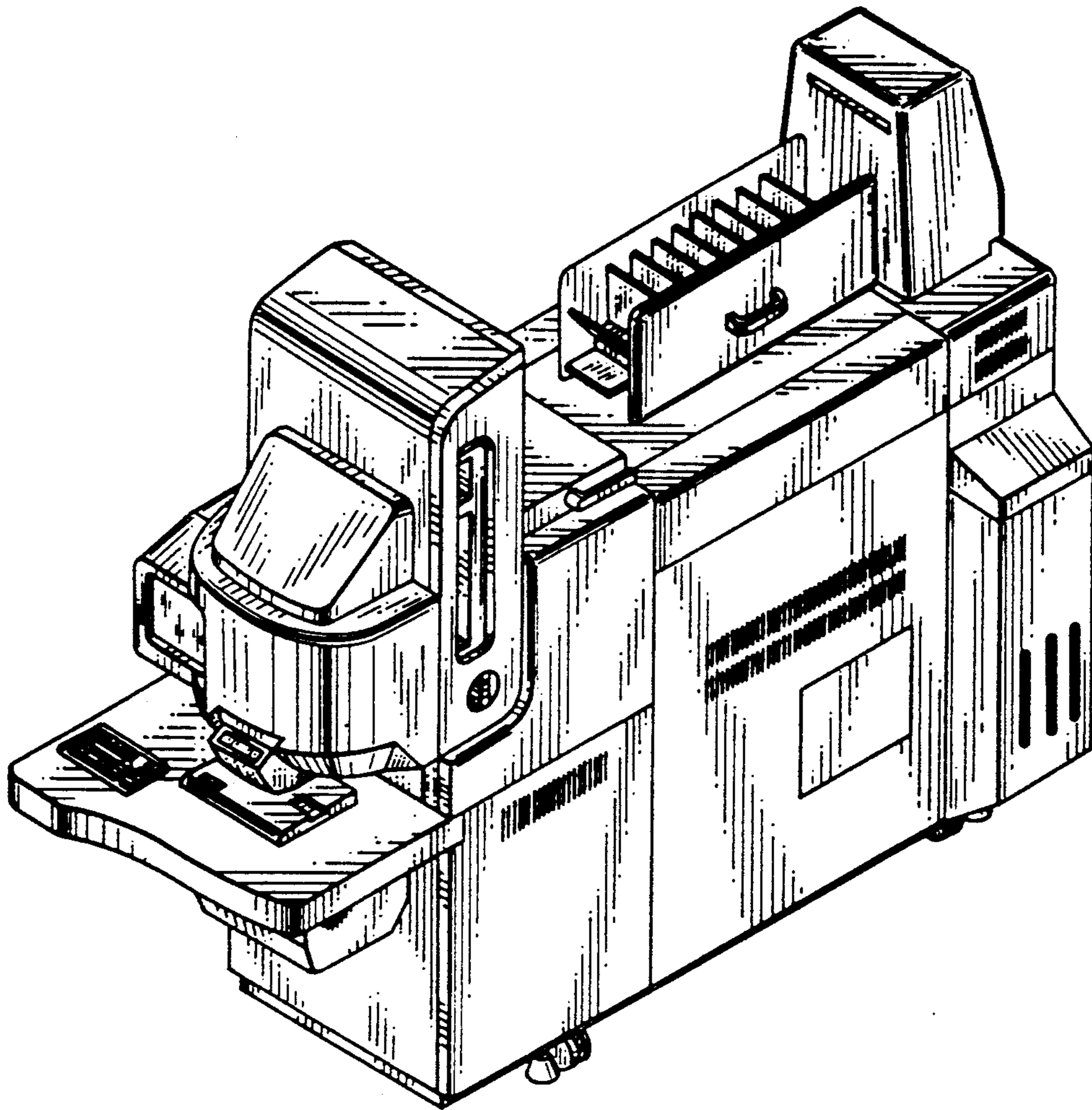


FIG. 1

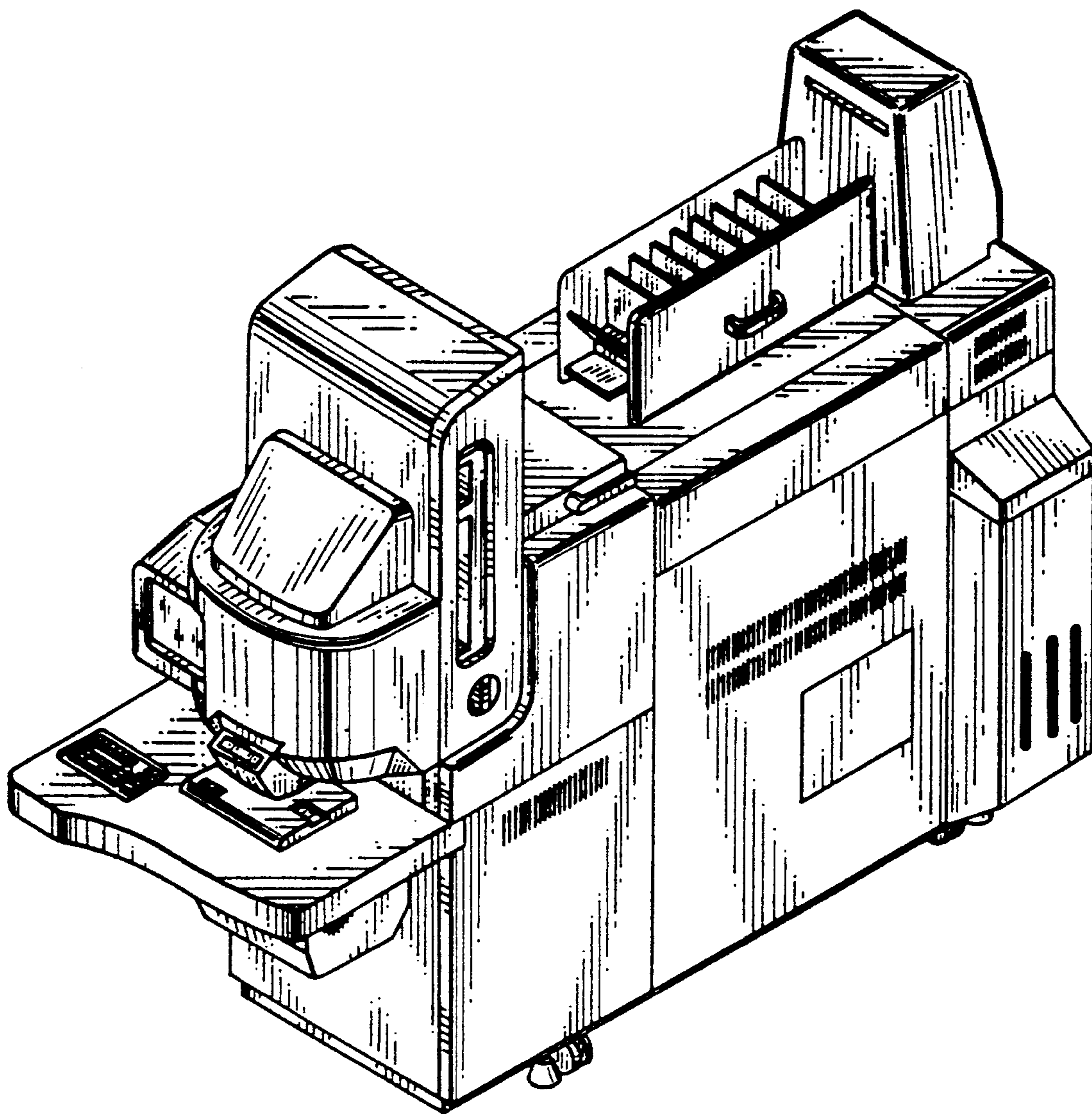


FIG. 2

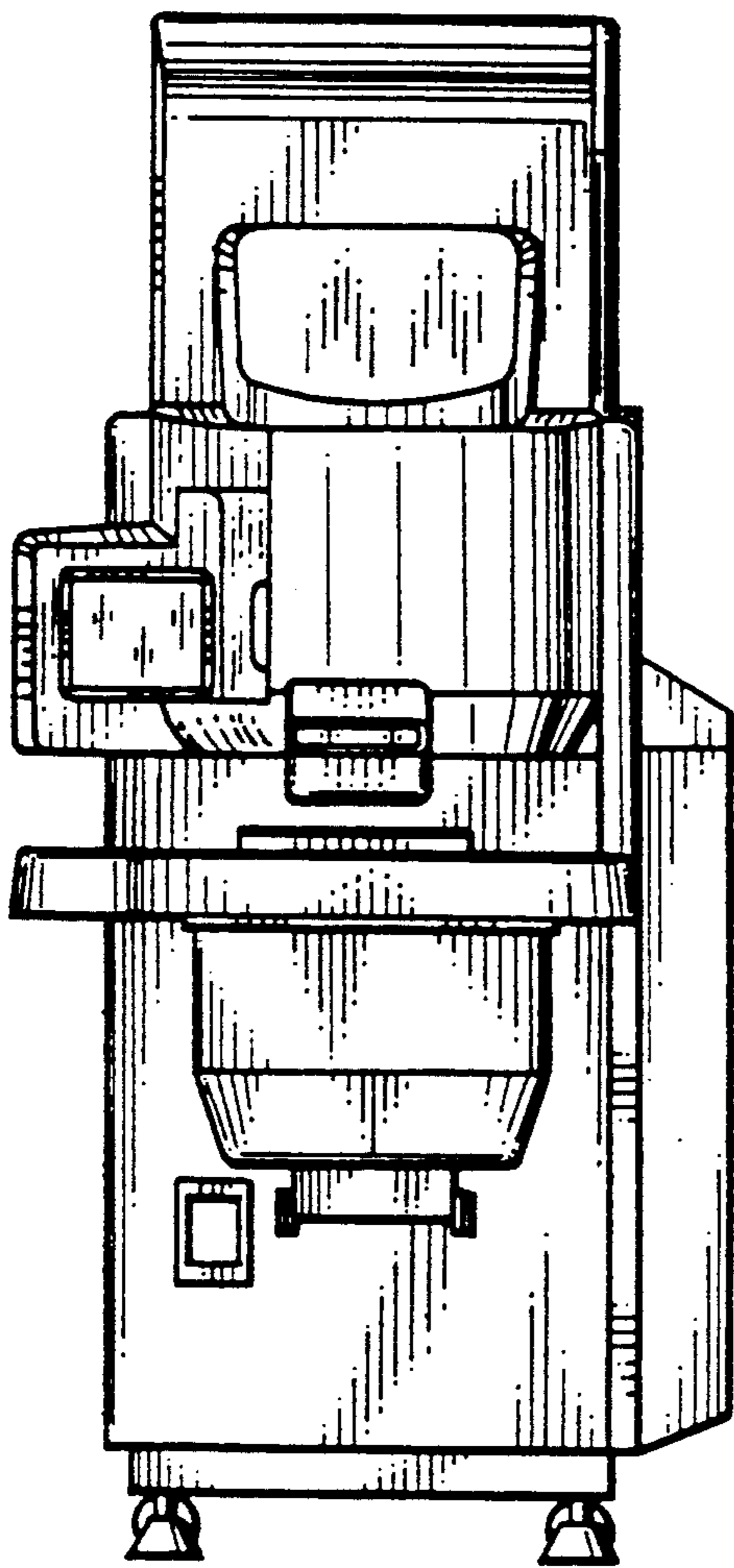


FIG. 3

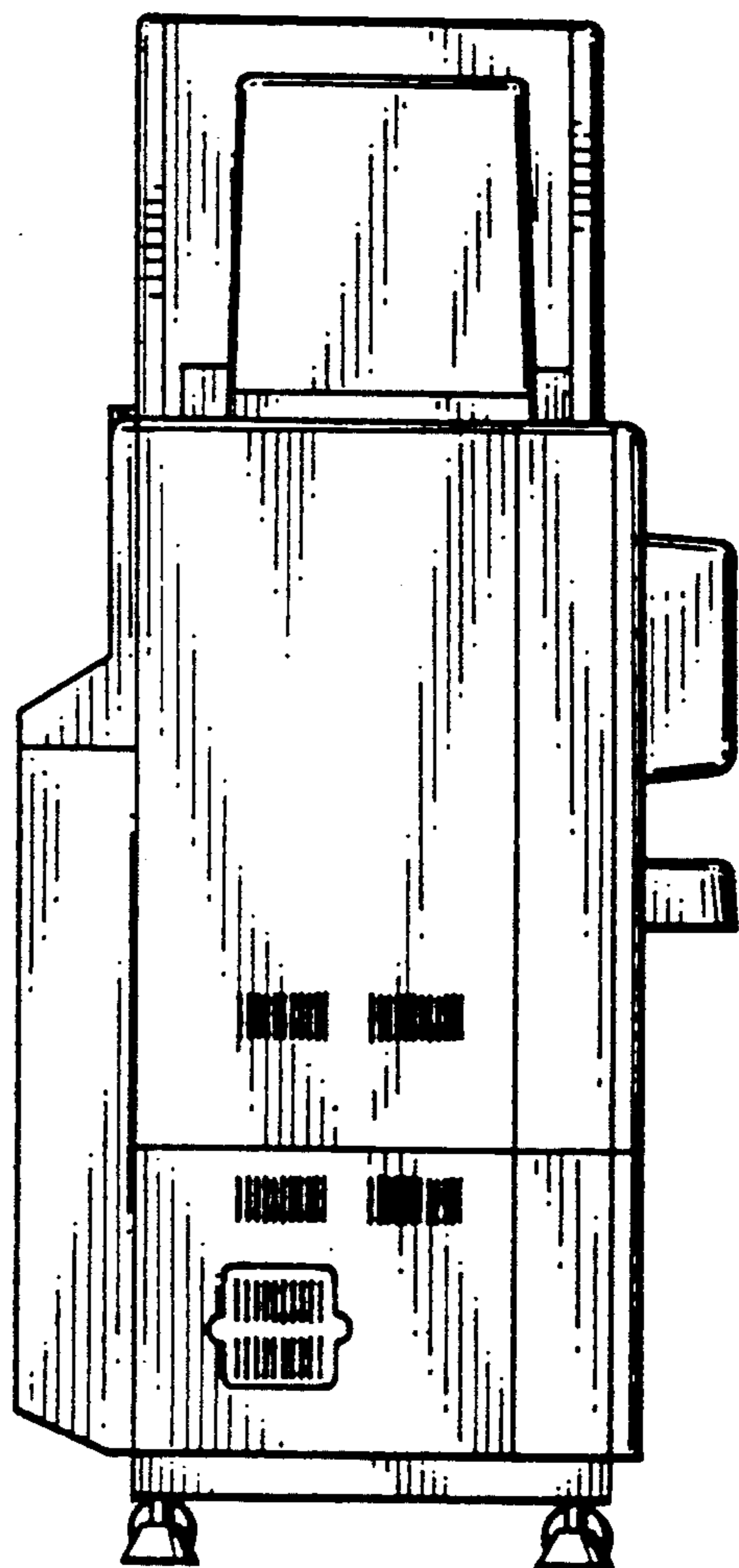


FIG. 4

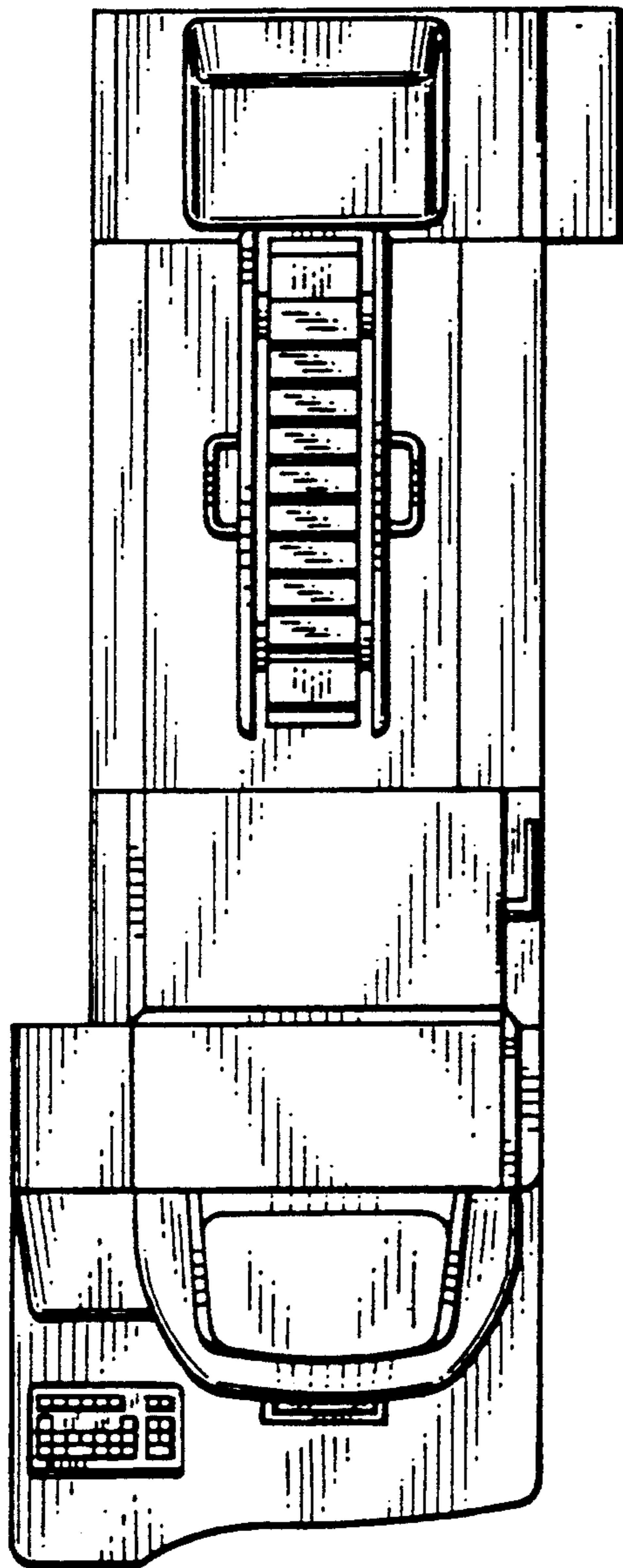


FIG. 5

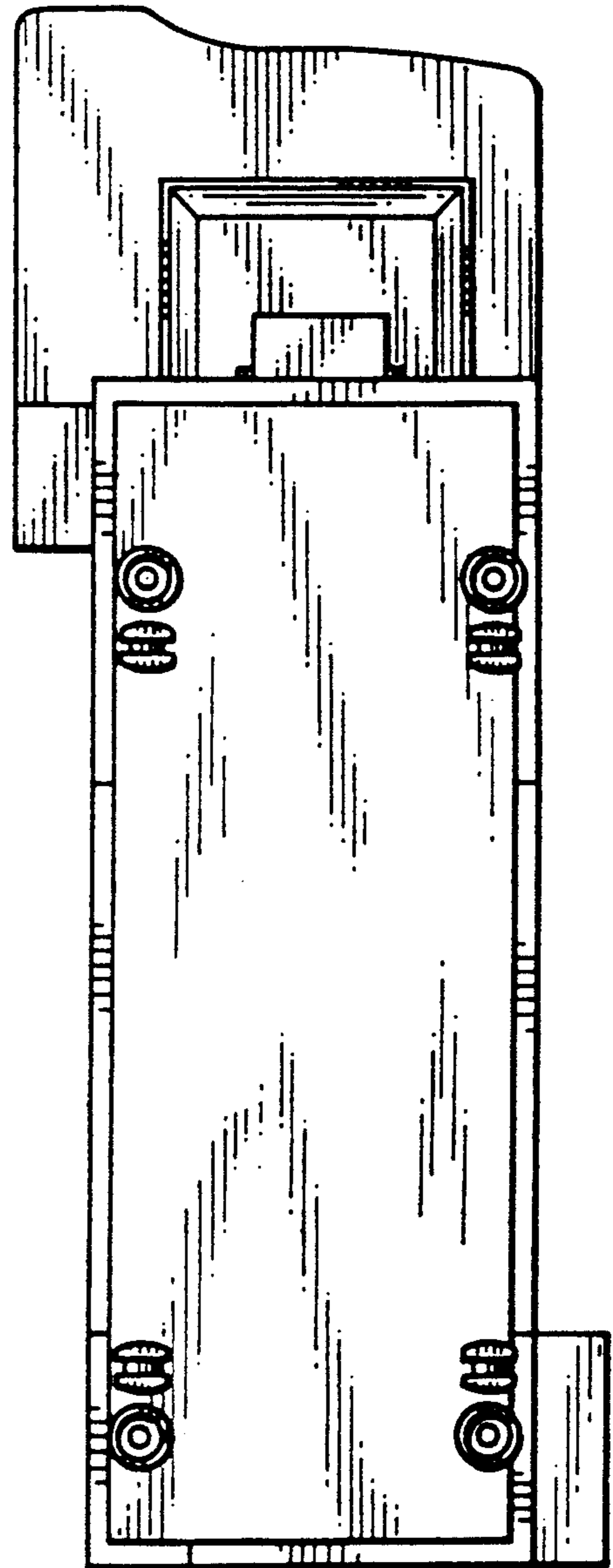


FIG. 6

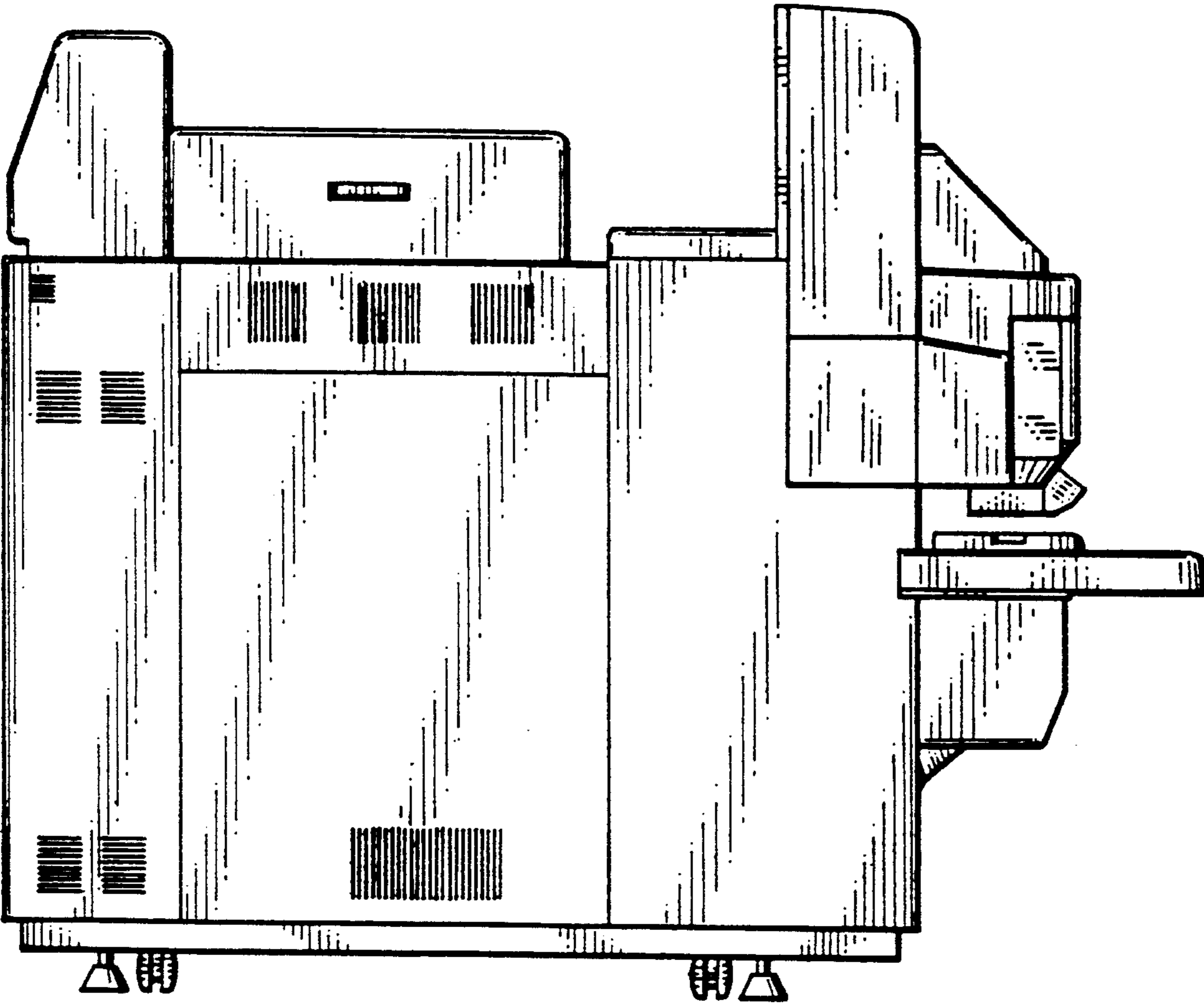


FIG. 7

