



US00D341617S

United States Patent [19]
Patterson

[11] **Patent Number: Des. 341,617**

[45] **Date of Patent: ** Nov. 23, 1993**

[54] **FILM AND PAPER PROCESSOR**

D. 234,627 3/1975 Vigna D16/246

[76] **Inventor: Horace E. Patterson, P.O. Box 97,
Conway Springs, Kans. 67031**

Primary Examiner—Bernard Ansher
Assistant Examiner—Mitchell Siegel
Attorney, Agent, or Firm—Shook, Hardy & Bacon

[**] **Term: 14 Years**

[57] **CLAIM**

[21] **Appl. No.: 804,161**

The ornamental design for a film and paper processor,
as shown and described.

[22] **Filed: Dec. 9, 1991**

[52] **U.S. Cl. D16/246**

[58] **Field of Search D16/246-250;
D18/36-39; 354/322, 299; 355/40, 54, 77, 200**

DESCRIPTION

[56] **References Cited**

U.S. PATENT DOCUMENTS

- D. 127,730 6/1941 Tuttle et al. D16/246
- D. 200,449 2/1965 Bravo D16/246
- D. 232,192 7/1974 Vigna D16/246

FIG. 1 is a perspective view of a film and paper processor showing my new design;

FIG. 2 is a right side elevational view thereof, the undisclosed opposite side being a mirror image;

FIG. 3 is a top plan view thereof;

FIG. 4 is a bottom plan view thereof;

FIG. 5 is a front end view thereof; and,

FIG. 6 is a rear end view thereof.

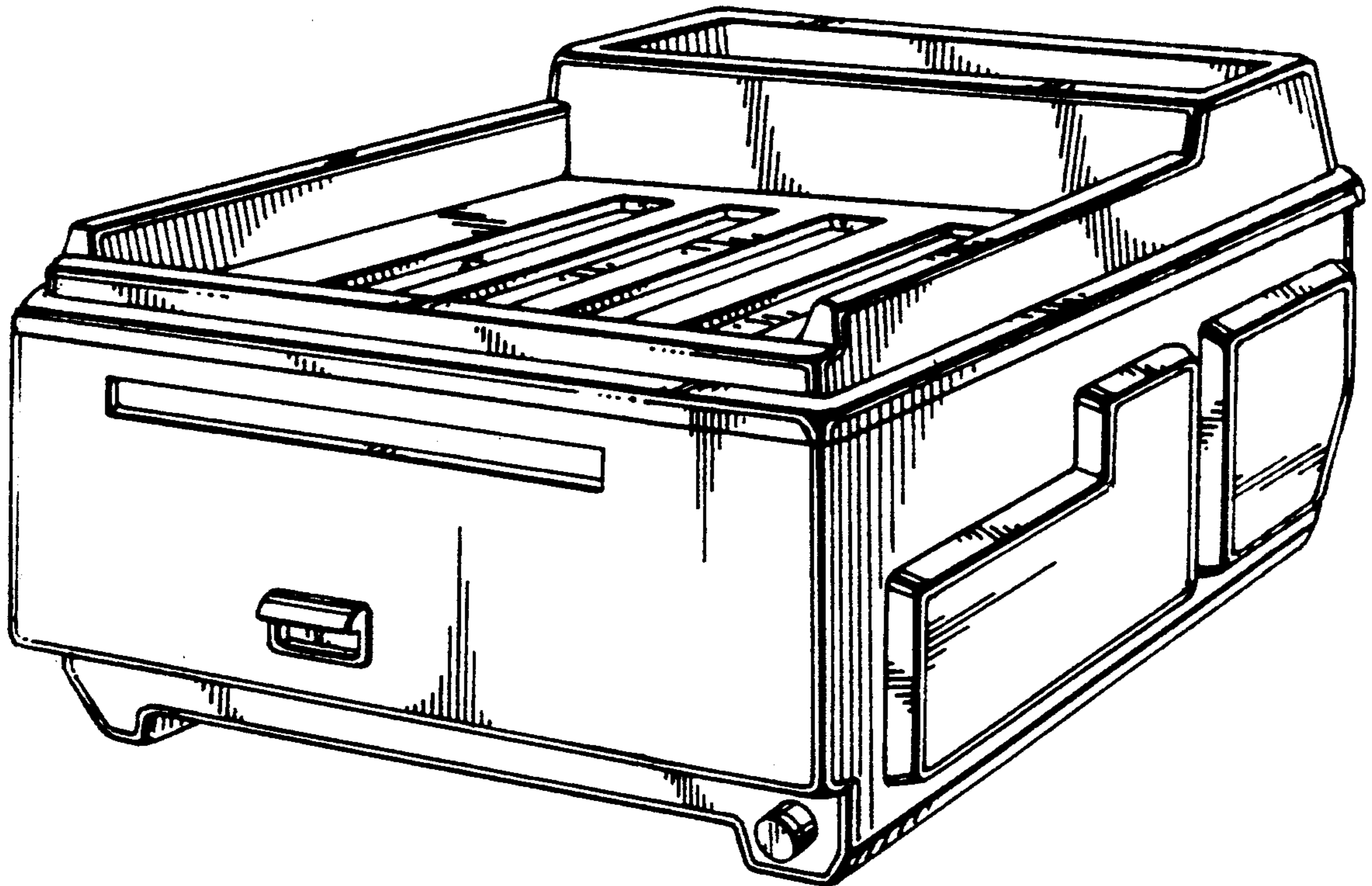


Fig. 1.

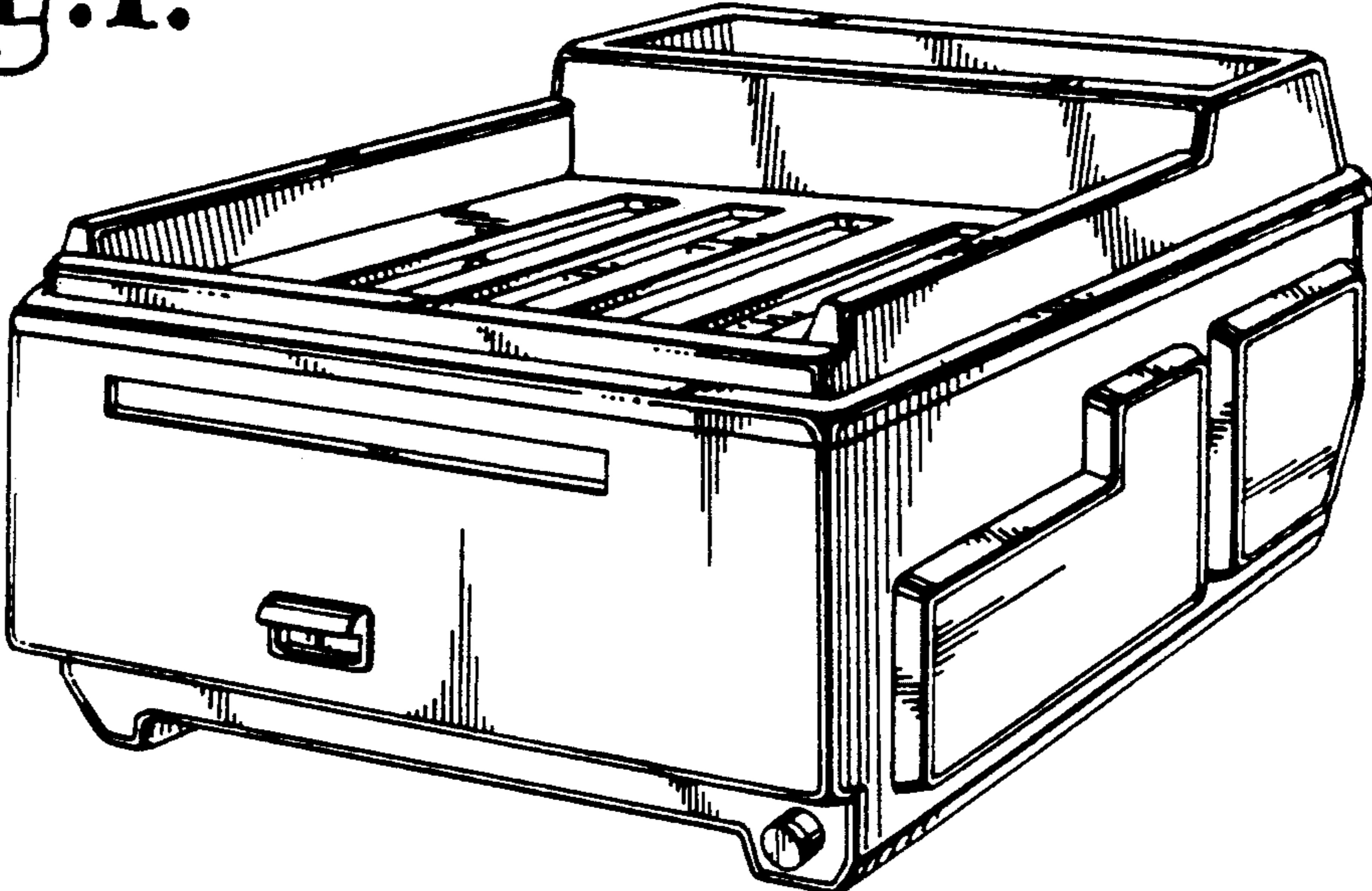


Fig. 2.

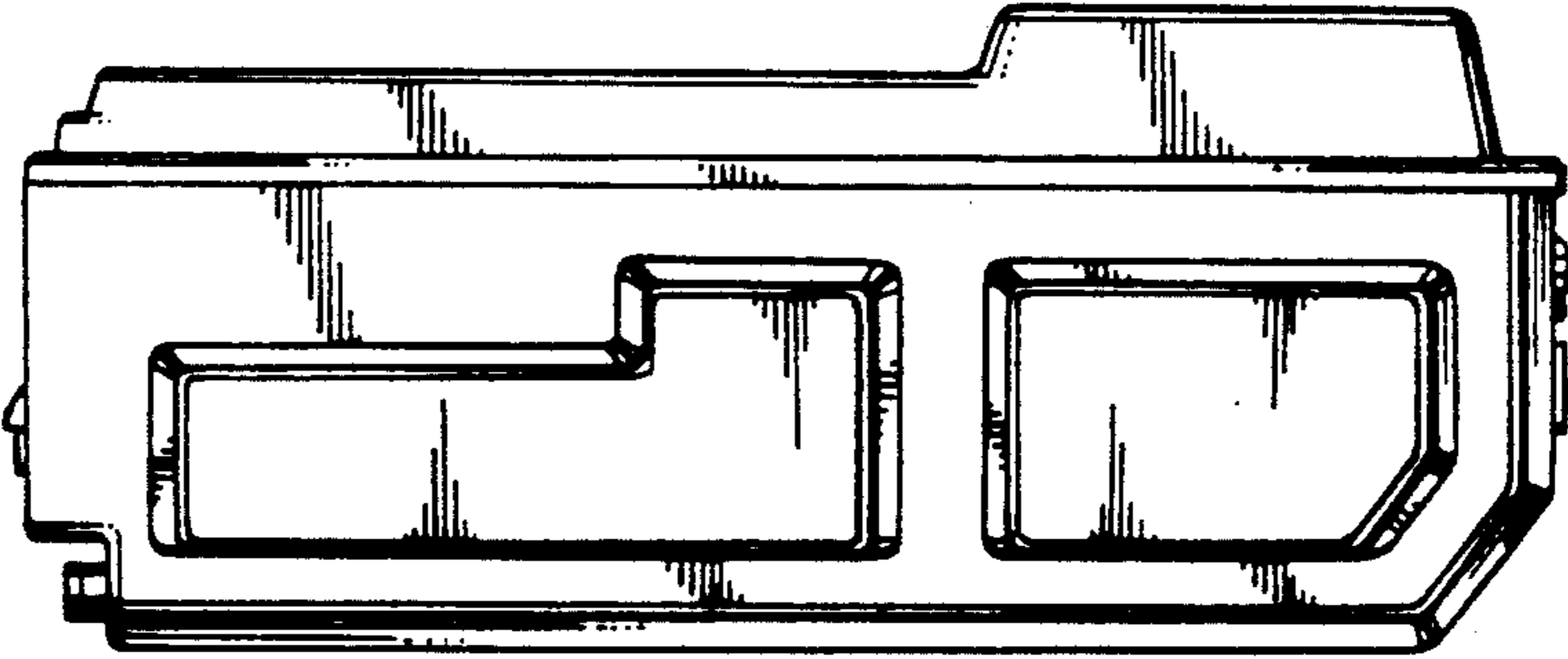


Fig. 3.

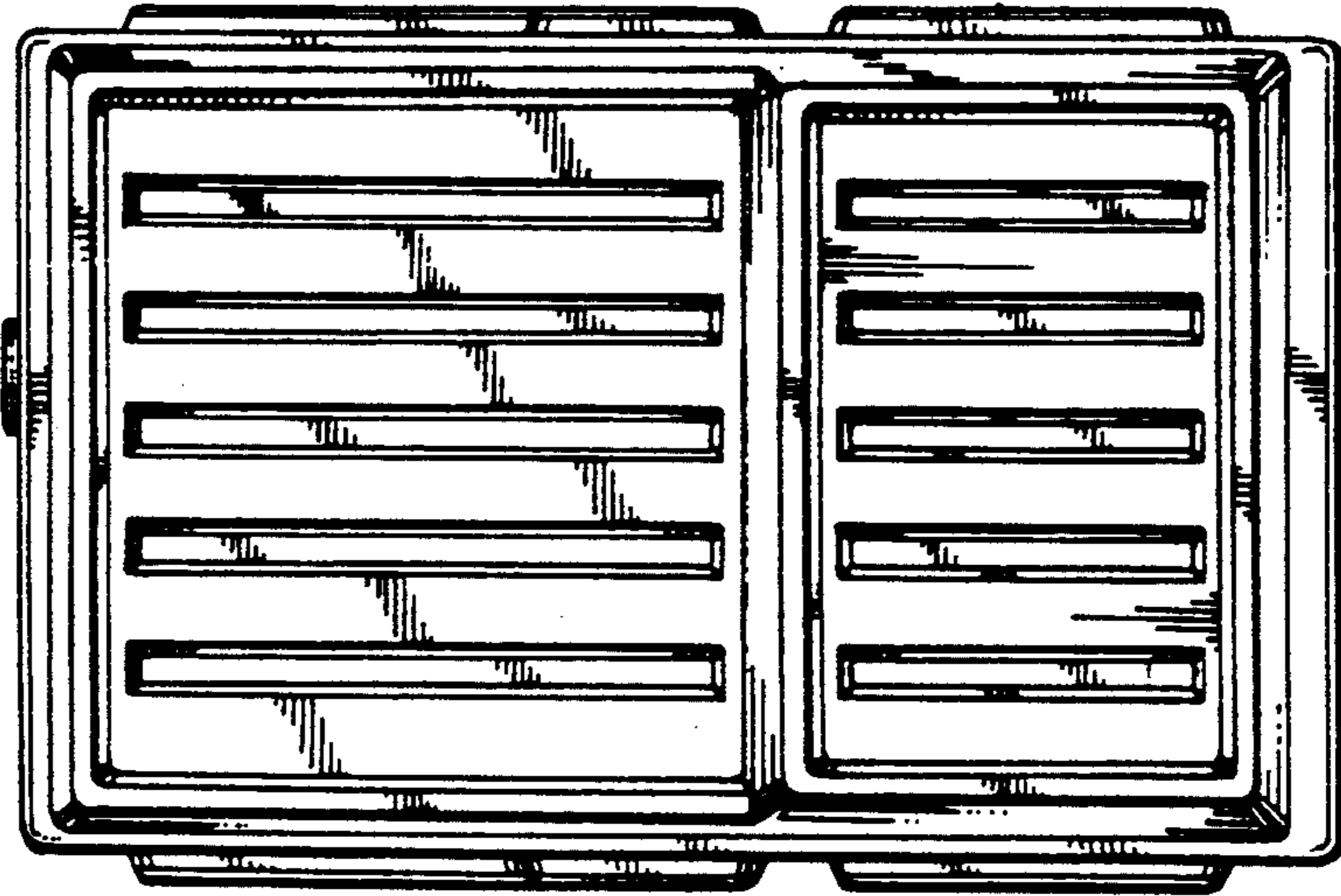


Fig. 4.

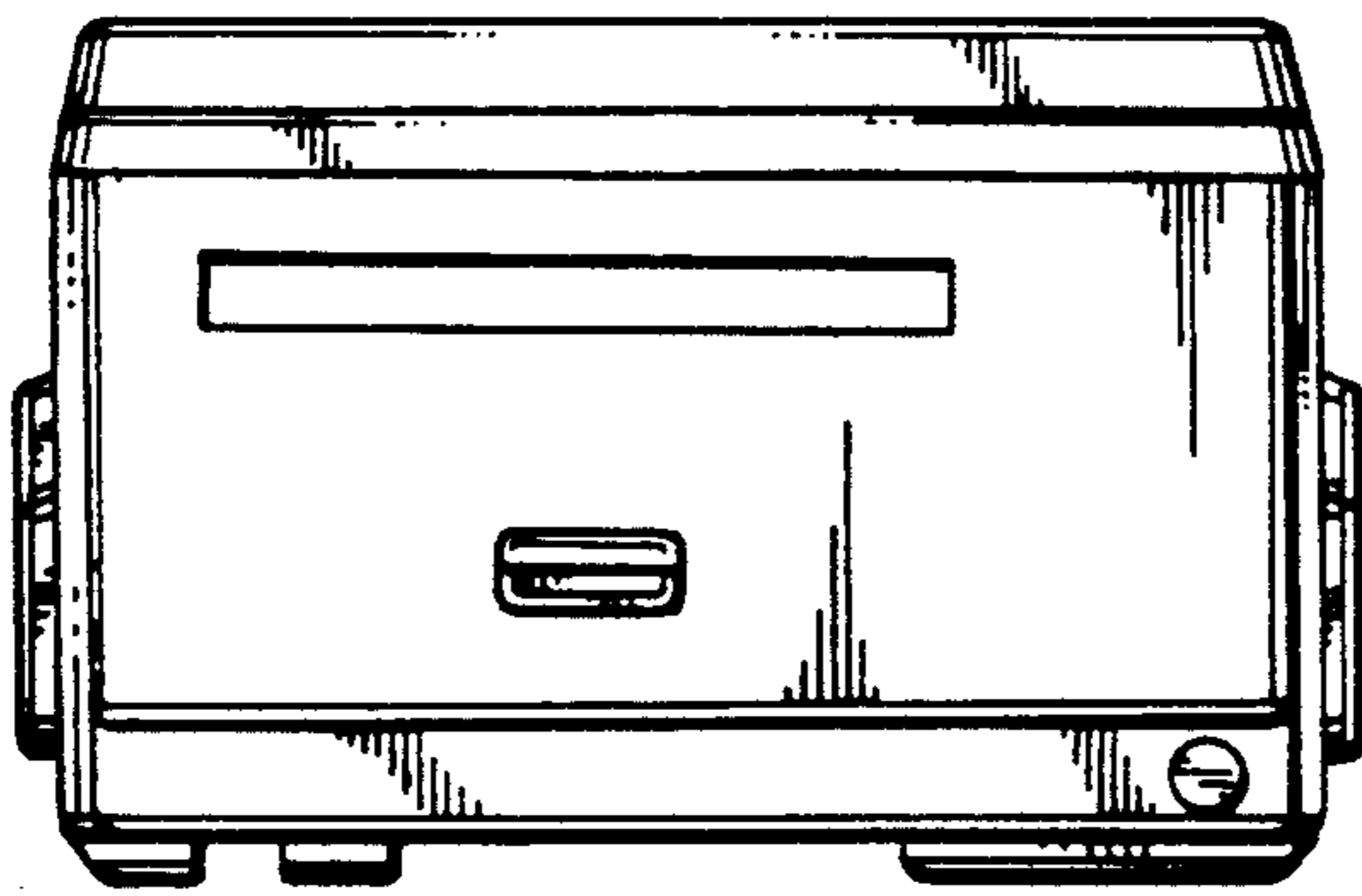
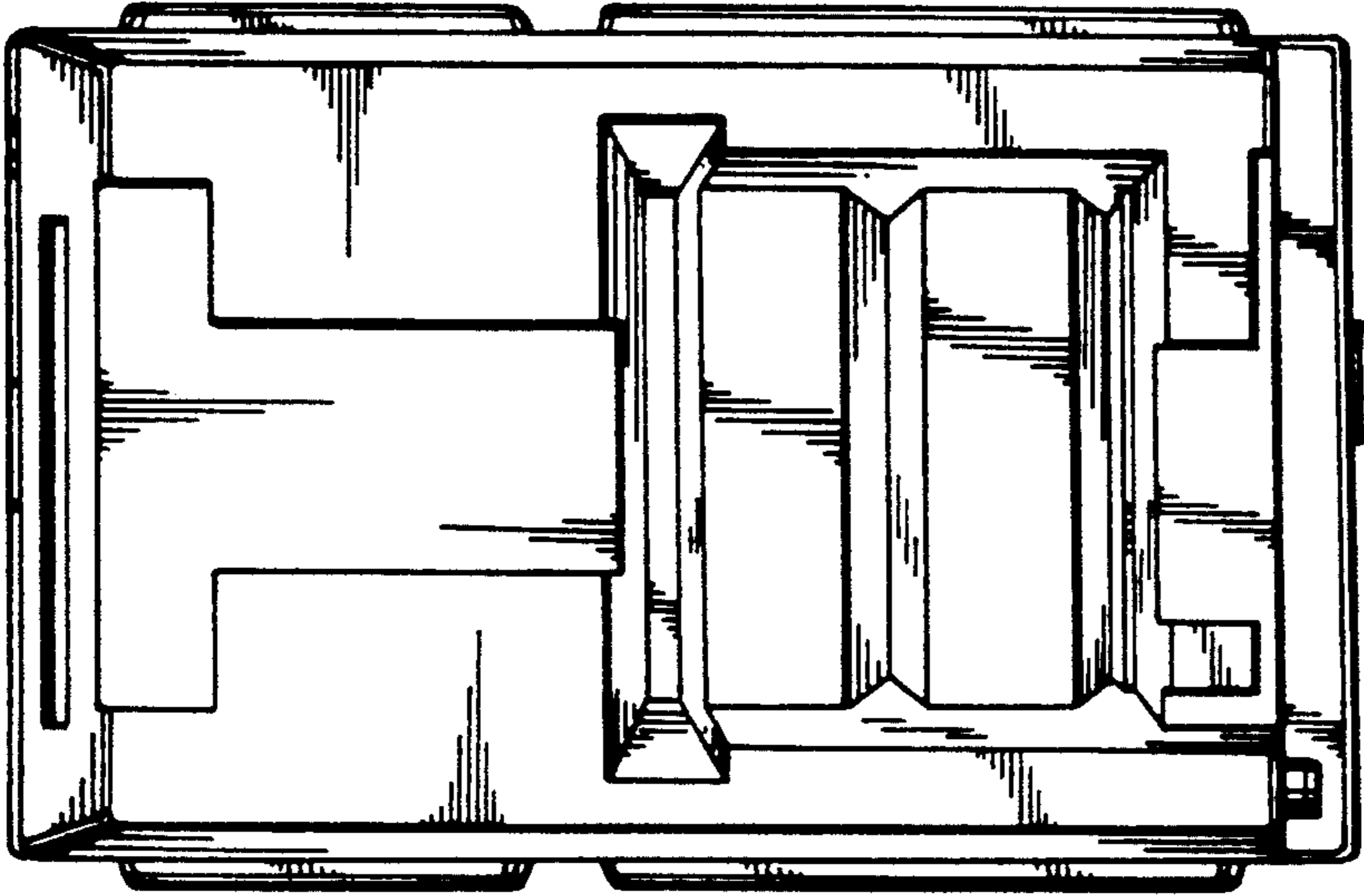


Fig. 5.

Fig. 6.

