



US00D341612S

United States Patent [19]

[11] Patent Number: **Des. 341,612**

Takahashi

[45] Date of Patent: **** Nov. 23, 1993**

[54] **LENS FOR A SINGLE-LENS REFLEX CAMERA**

D. 303,976 10/1989 Kimura et al. D16/134
D. 331,589 12/1992 Yamamoto D16/134
4,923,281 5/1990 Krichever et al. 359/826

[75] Inventor: **Akio Takahashi, Tokyo, Japan**

[73] Assignee: **Asahi Kogaku Kogyo K.K., Tokyo, Japan**

[**] Term: **14 Years**

[21] Appl. No.: **783,094**

[22] Filed: **Oct. 28, 1991**

[30] **Foreign Application Priority Data**

Apr. 26, 1991 [JP] Japan 3-12531

[52] U.S. Cl. **D16/134**

[58] Field of Search D16/134; 354/286, 288 R,
354/195.1, 195.12; 359/819, 811, 815, 826, 827,
704, 823, 703

[56] **References Cited**

U.S. PATENT DOCUMENTS

D. 189,383 11/1960 Macomber D16/134
D. 302,169 7/1989 Kimura et al. D16/134

OTHER PUBLICATIONS

Popular Photography, Nov. 1990, p. 79, Tokina Lens.
Popular Photography, Nov. 1990, p. 77, Sigma Lens.

Primary Examiner—A. Hugo Word
Assistant Examiner—Doris V. Coles
Attorney, Agent, or Firm—Sughrue, Mion, Zinn
Macpeak & Seas

[57] **CLAIM**

The ornamental design for a lens for a single-lens reflex camera, as shown.

DESCRIPTION

FIG. 1 is a front elevational view of a lens for a single-lens reflex camera showing my new design;
FIG. 2 is a top plan view thereof;
FIG. 3 is a right side elevational view thereof;
FIG. 4 is a left side elevational view thereof;
FIG. 5 is a bottom plan view thereof; and,
FIG. 6 is a rear elevational view thereof.

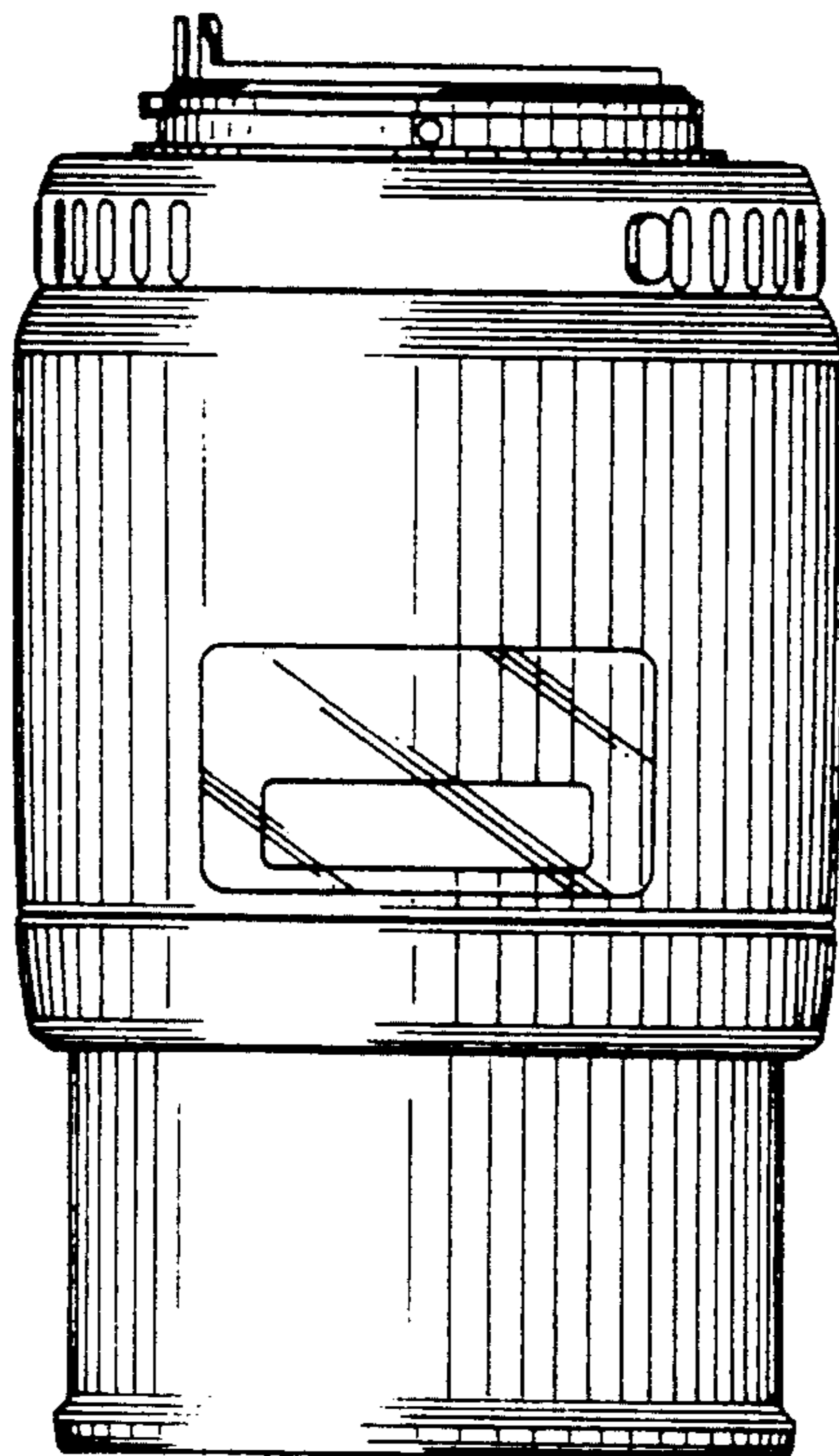


FIG. 1

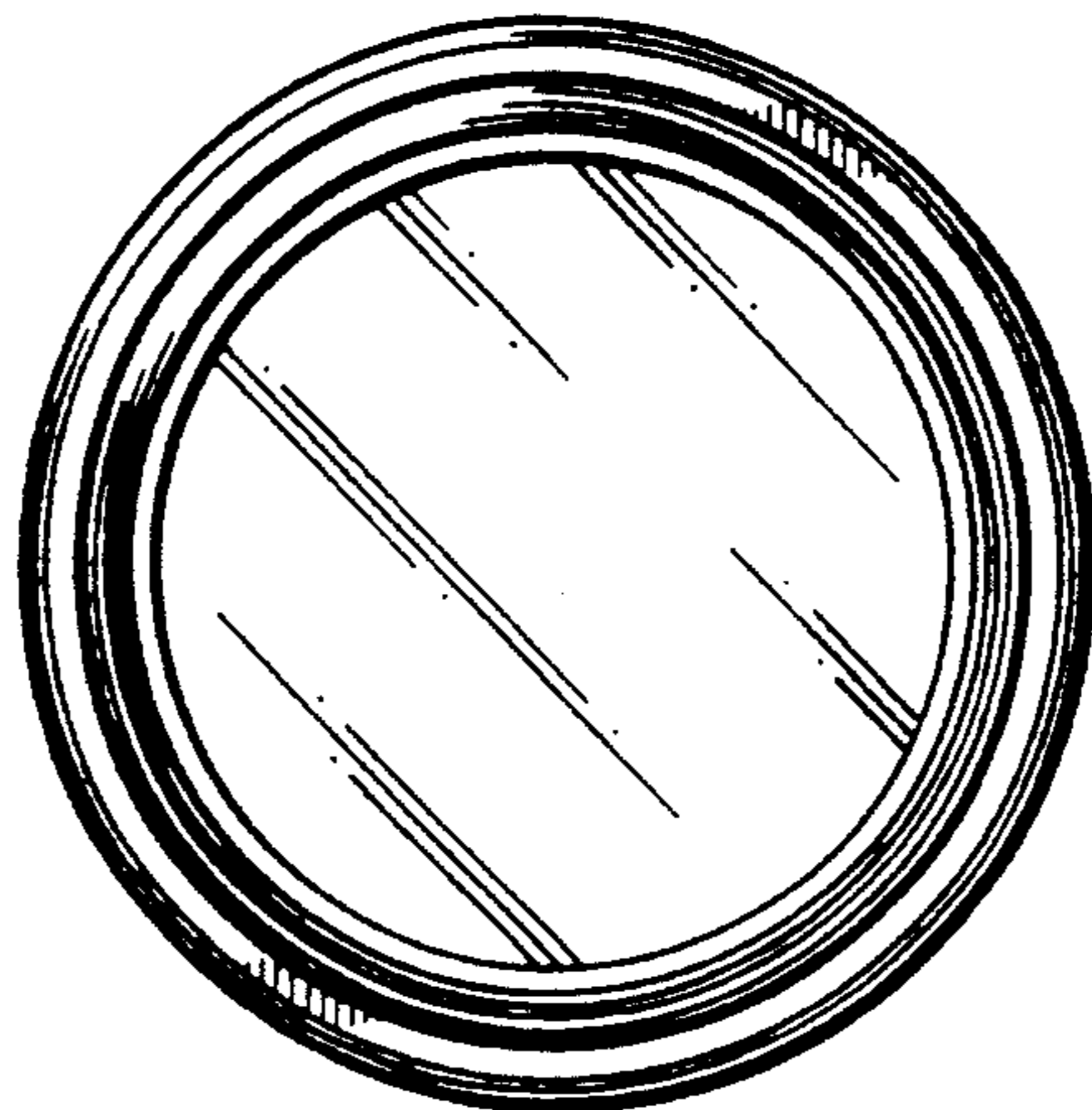


FIG. 2

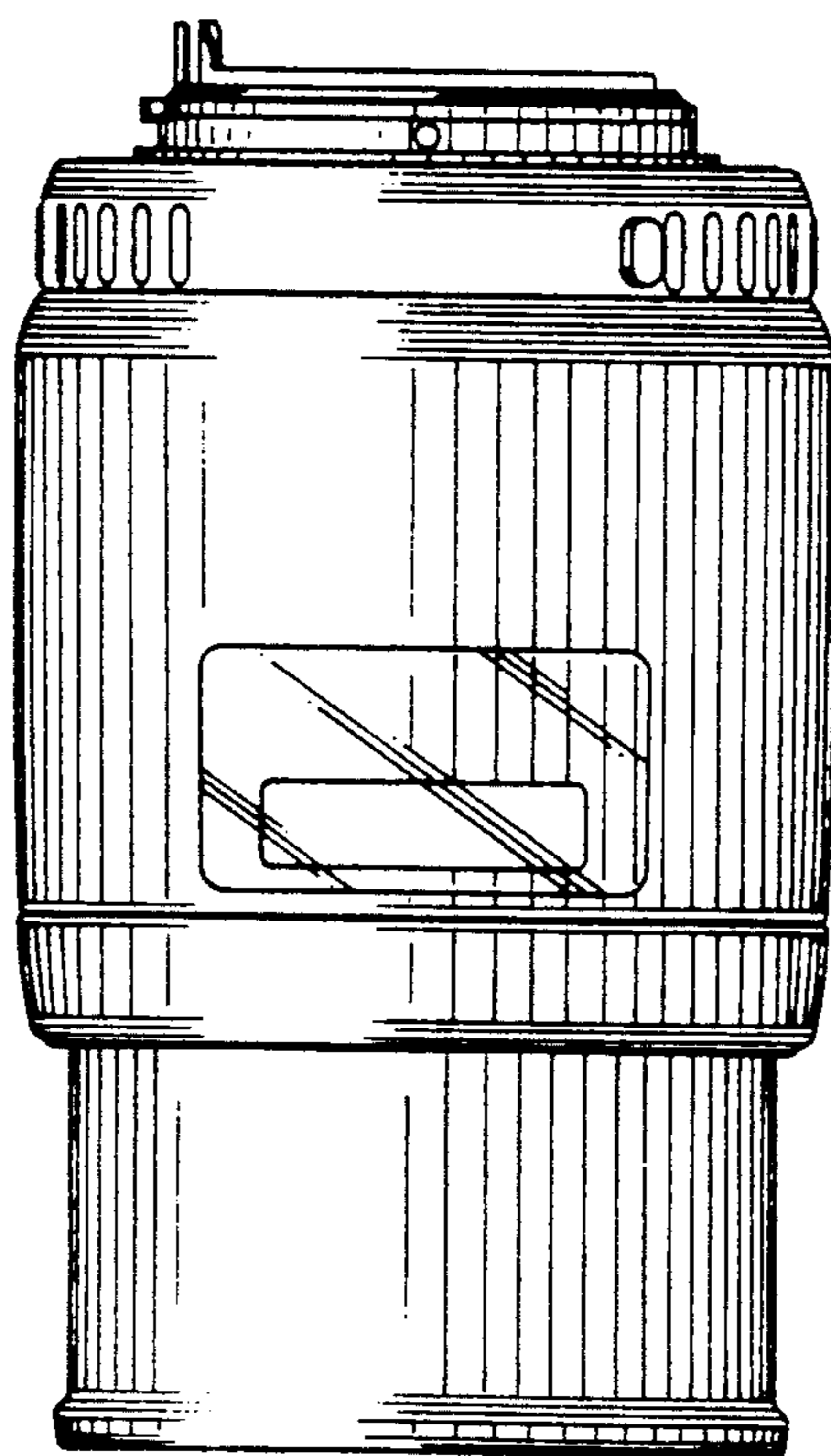


FIG. 3

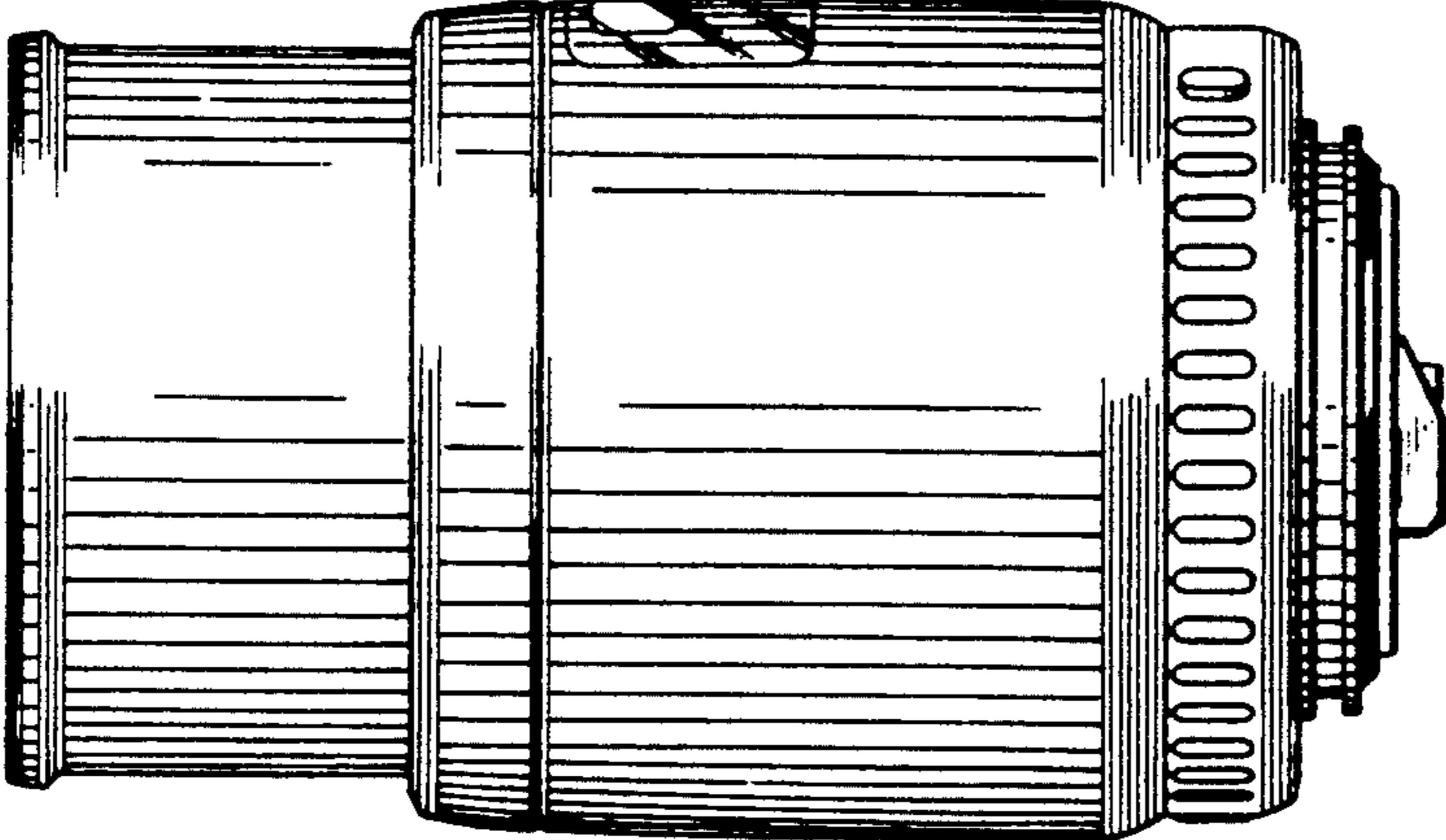


FIG. 4

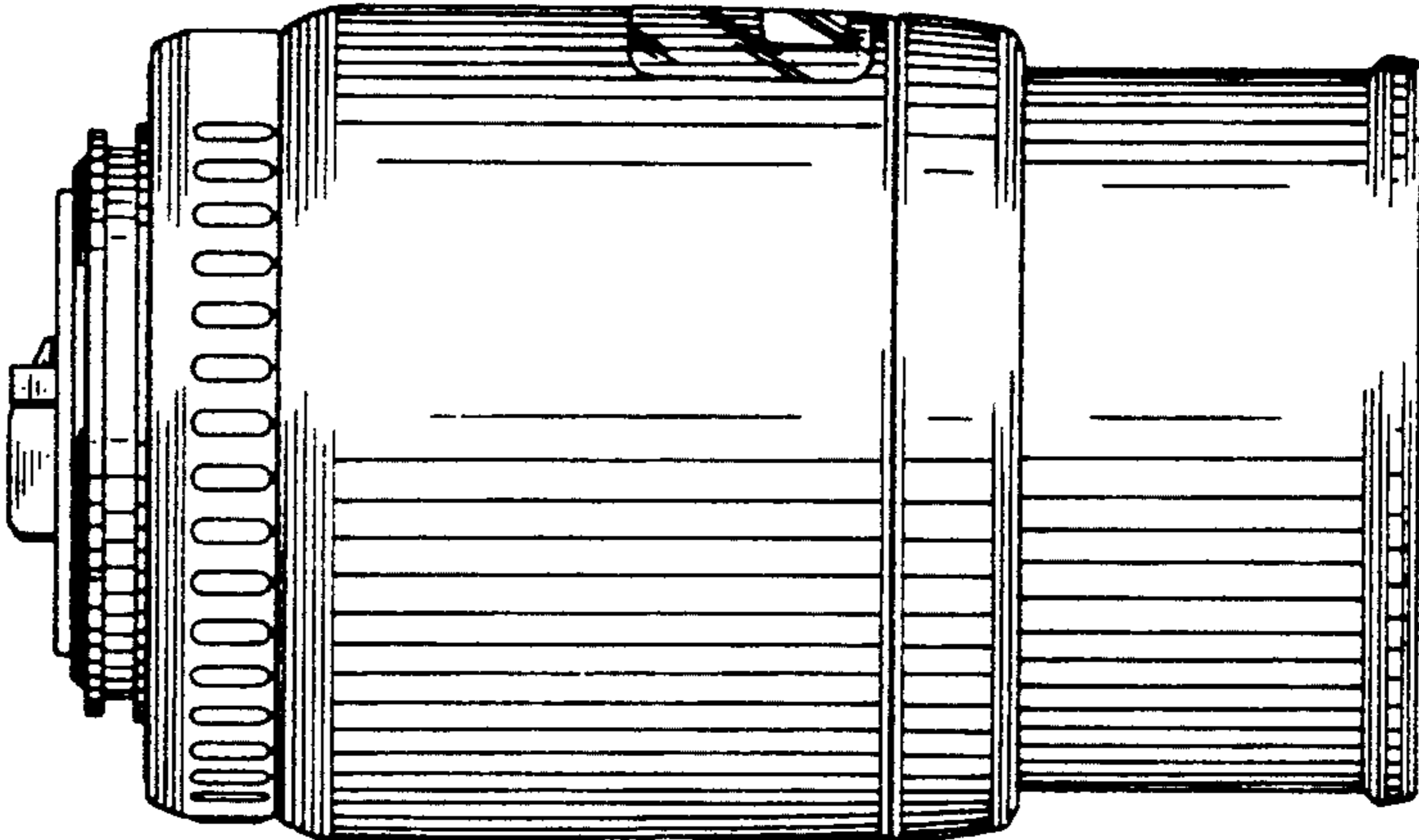


FIG. 5

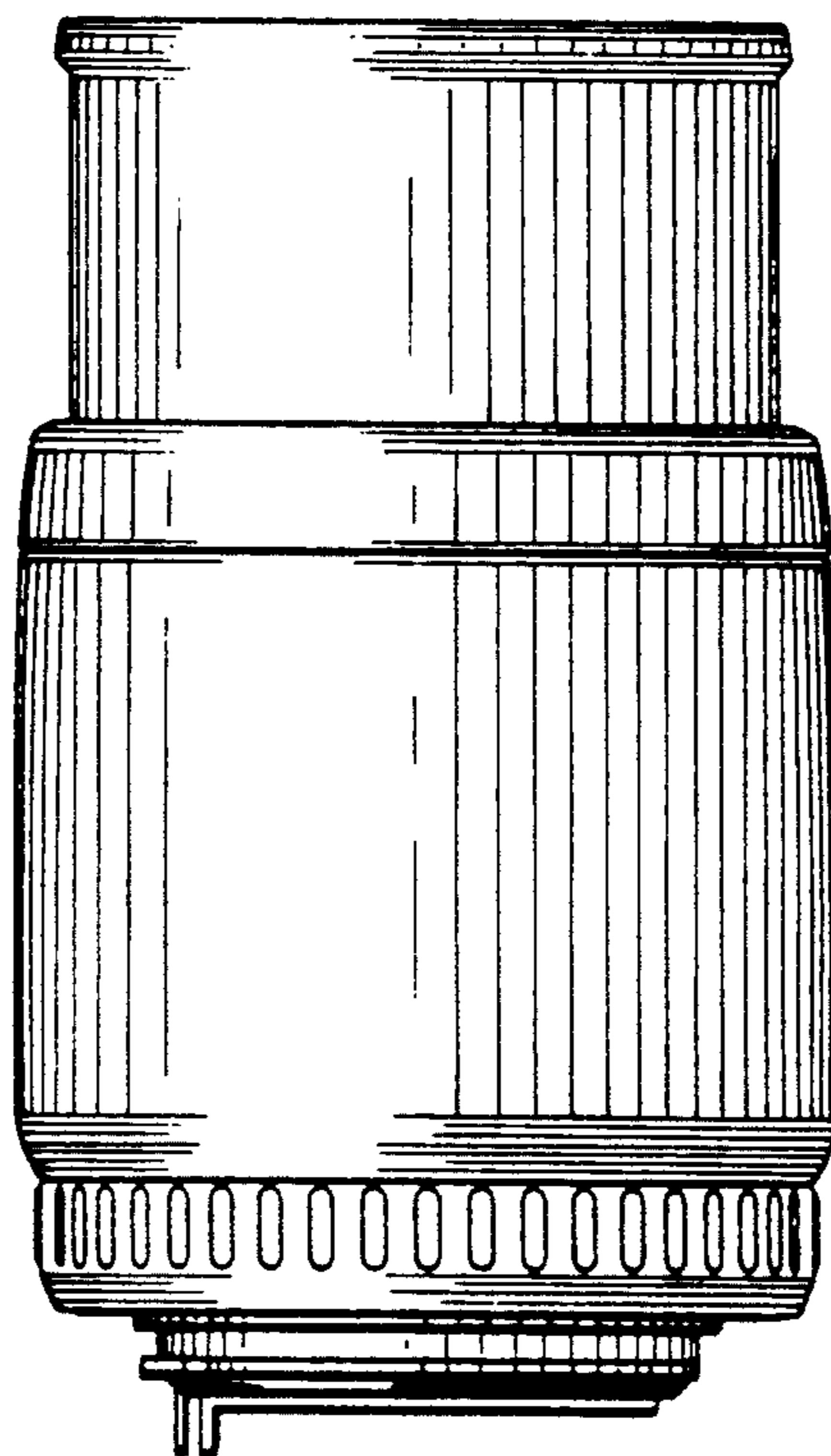


FIG. 6

