



US00D341608S

United States Patent [19]

[11] Patent Number: **Des. 341,608**

Fries

[45] Date of Patent: **** Nov. 23, 1993**

[54] **SUBMERSIBLE MIXER**

[75] Inventor: **Hjalmar Fries, Spanga, Sweden**

[73] Assignee: **ITT Flygt AB, Solna, Sweden**

[**] Term: **14 Years**

[21] Appl. No.: **389**

[22] Filed: **Oct. 9, 1992**

[30] **Foreign Application Priority Data**

Apr. 23, 1992 [SE] Sweden 920910

[52] U.S. Cl. **D15/147; D23/207**

[58] **Field of Search** **D7/376-379, D7/387; D12/214; D15/147, 138, 122, 199; D23/207; 366/241, 264, 265, 317; 416/62, 90 A, 93 R, 223 R; 440/49, 76, 79, 80, 81, 82**

[56] **References Cited**

U.S. PATENT DOCUMENTS

- D. 282,370 1/1986 Ogren D15/147
- D. 282,371 1/1986 Ogren D15/147
- D. 306,033 2/1990 Fries et al. D15/147

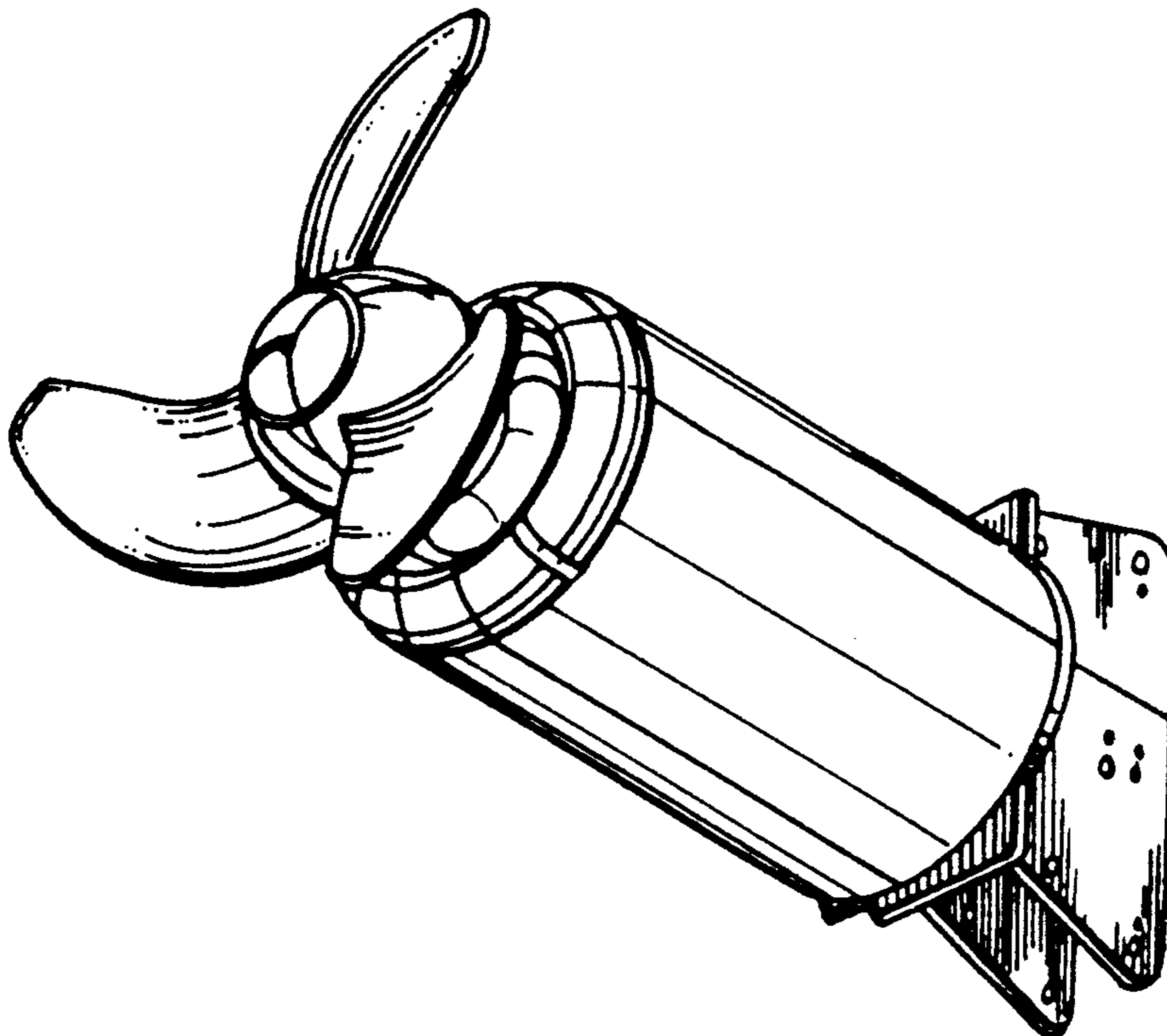
Primary Examiner—Alan P. Douglas
Assistant Examiner—Antoine Duval Davis
Attorney, Agent, or Firm—Menotti J. Lombardi

[57] **CLAIM**

The ornamental design for a submersible mixer, as shown and described.

DESCRIPTION

FIG. 1 is a right front elevation view of a submersible mixer showing my new design without a jet ring;
 FIG. 2 is a right elevation view of the submersible mixer of FIG. 1;
 FIG. 3 is a front plan view of FIG. 2;
 FIG. 4 is a rear plan view of FIG. 2;
 FIG. 5 is a right rear elevation view of the submersible mixer of FIG. 1;
 FIG. 6 is a left rear elevation view of the submersible mixer showing my new design with a jet ring;
 FIG. 7 is a left front elevation view of the submersible mixer of FIG. 4; and,
 FIG. 8 is a right side plan view of the submersible mixer of FIG. 4.



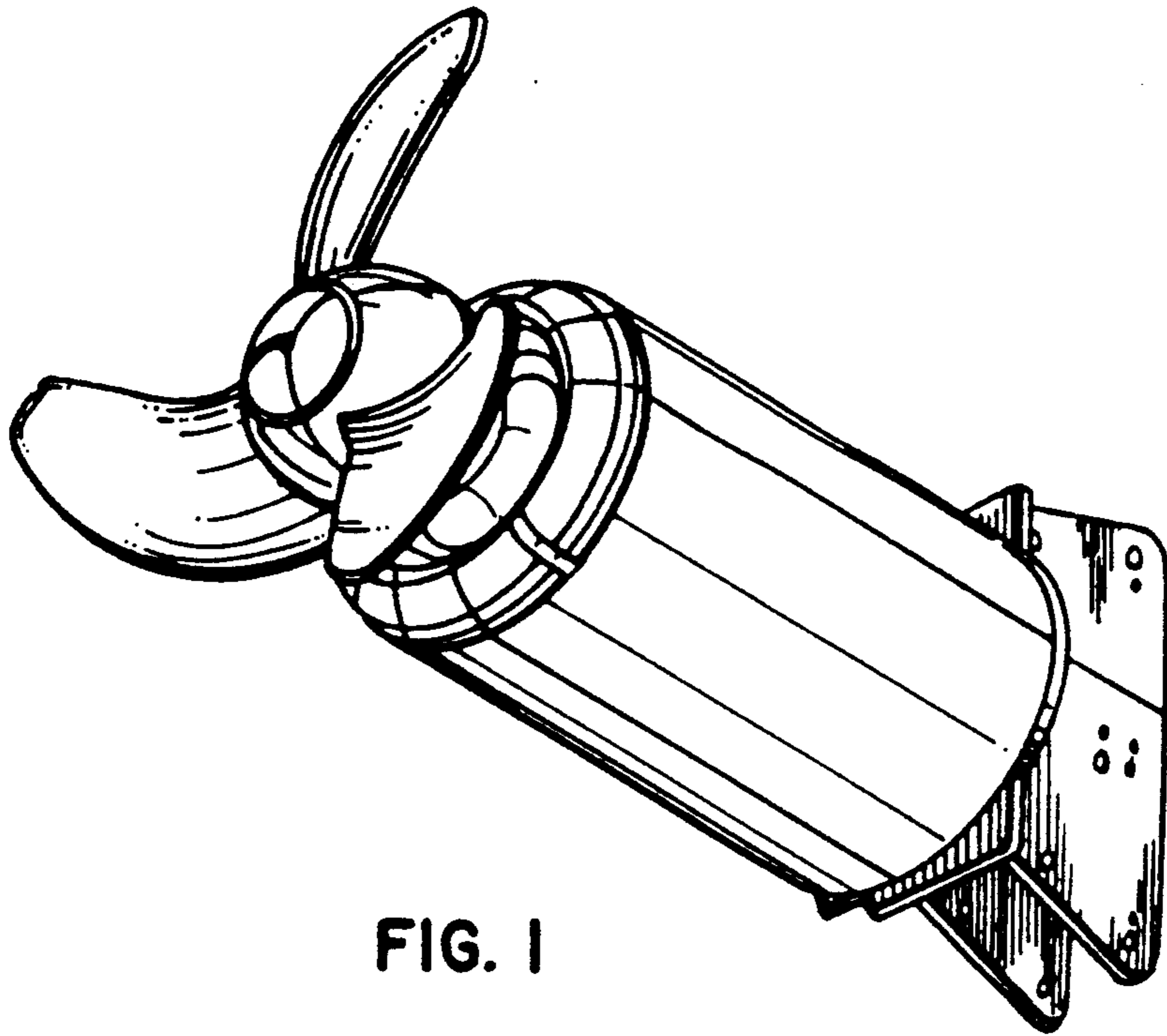


FIG. 1

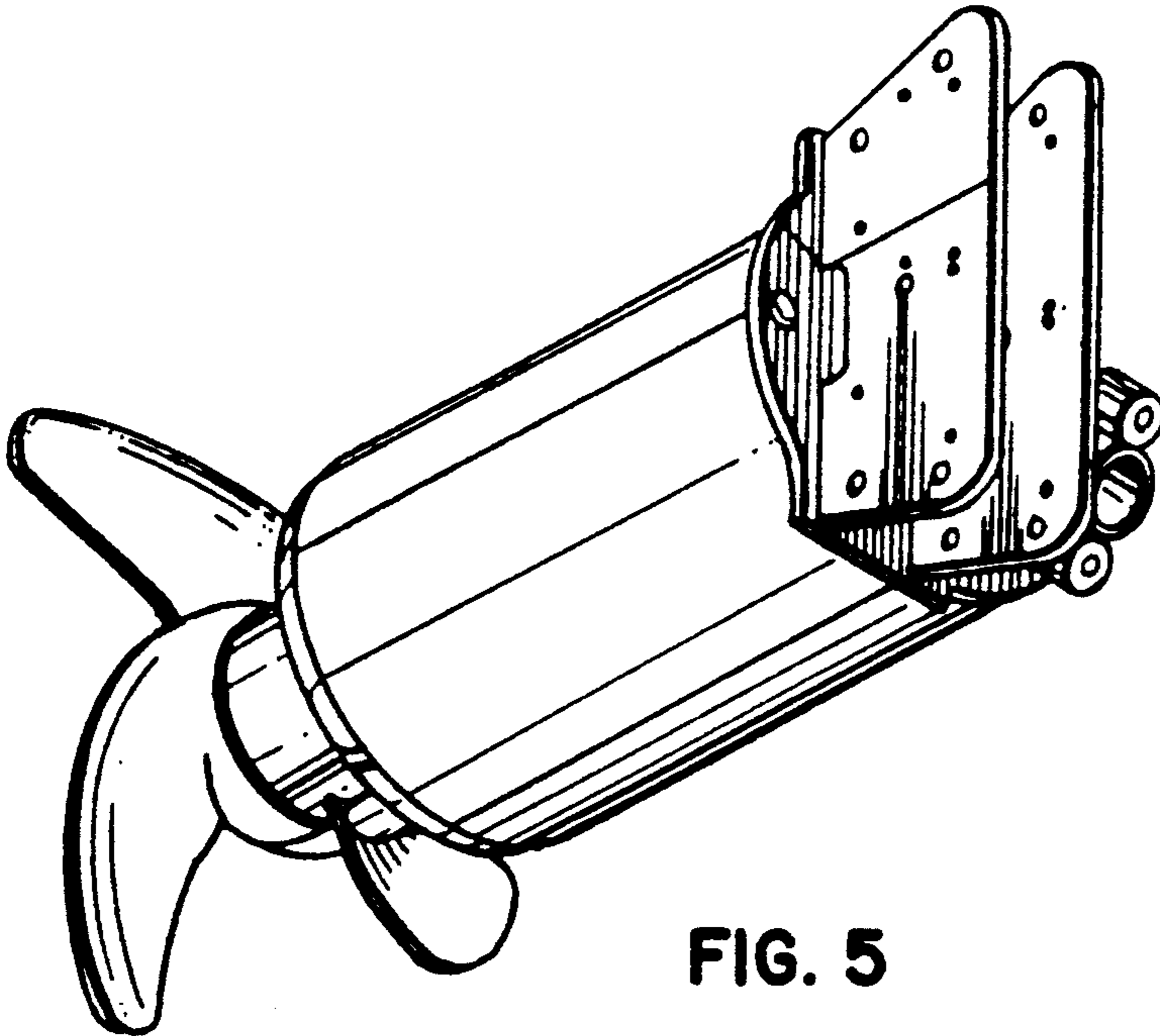


FIG. 5

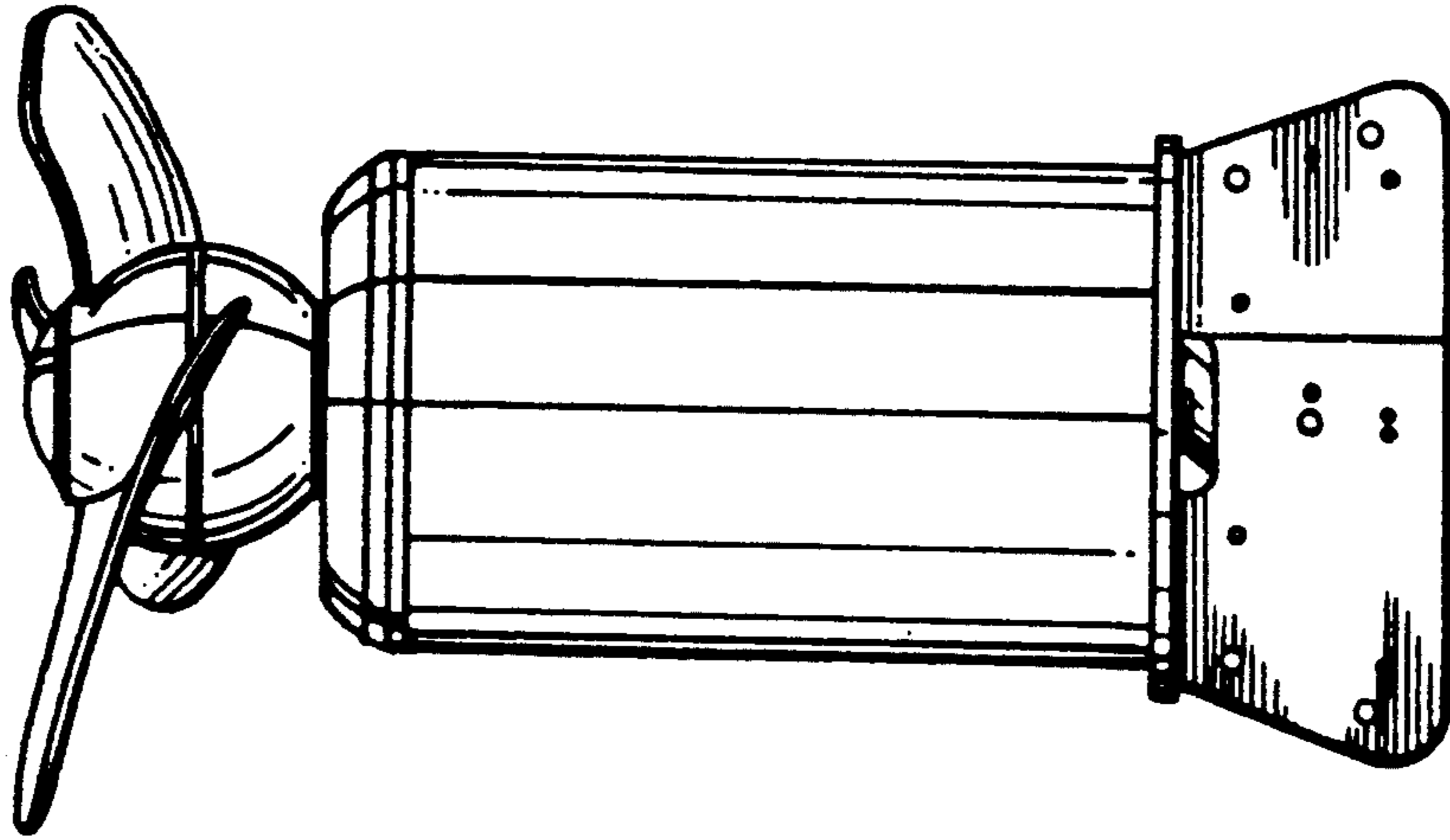


FIG. 2

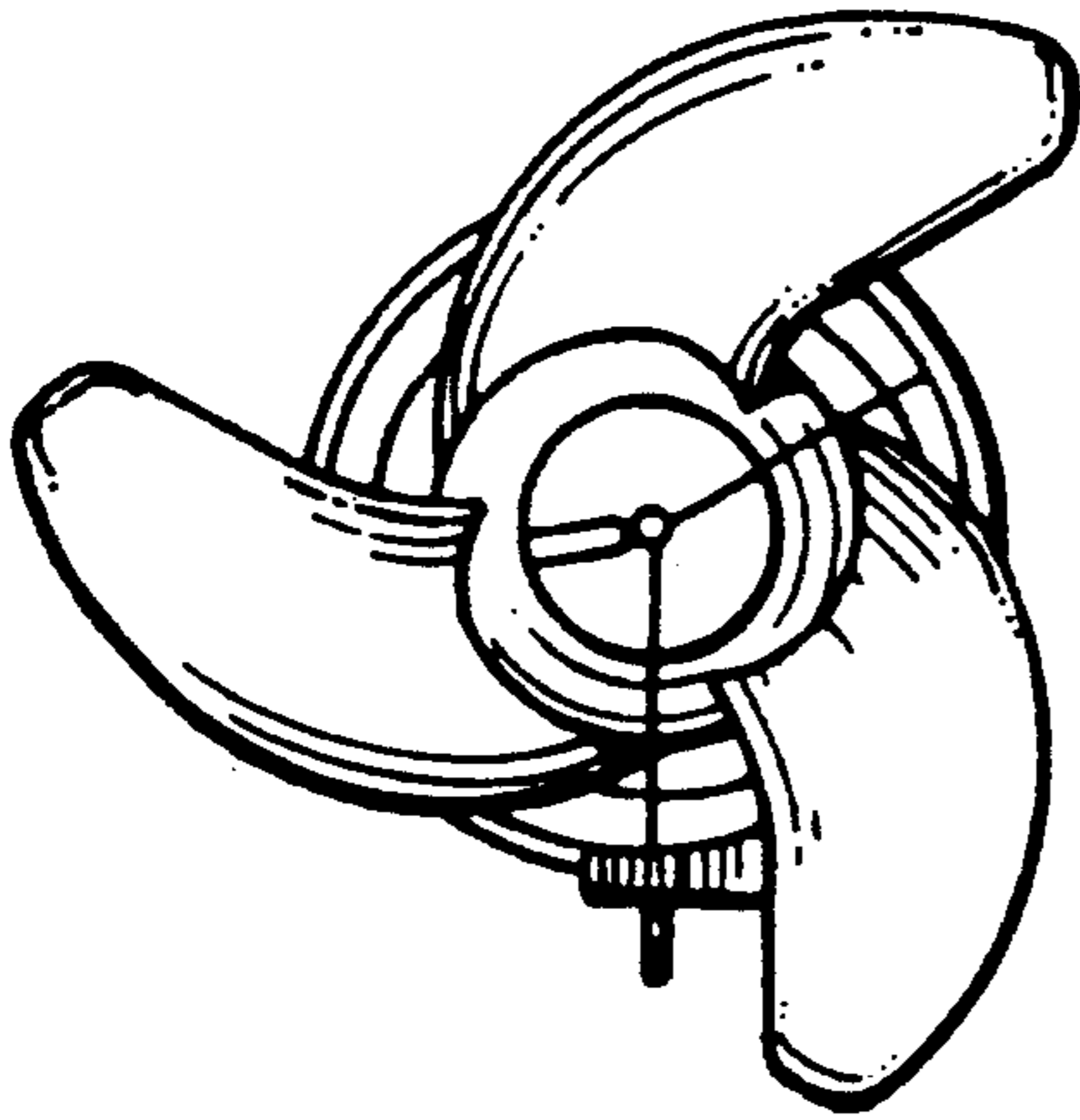


FIG. 3

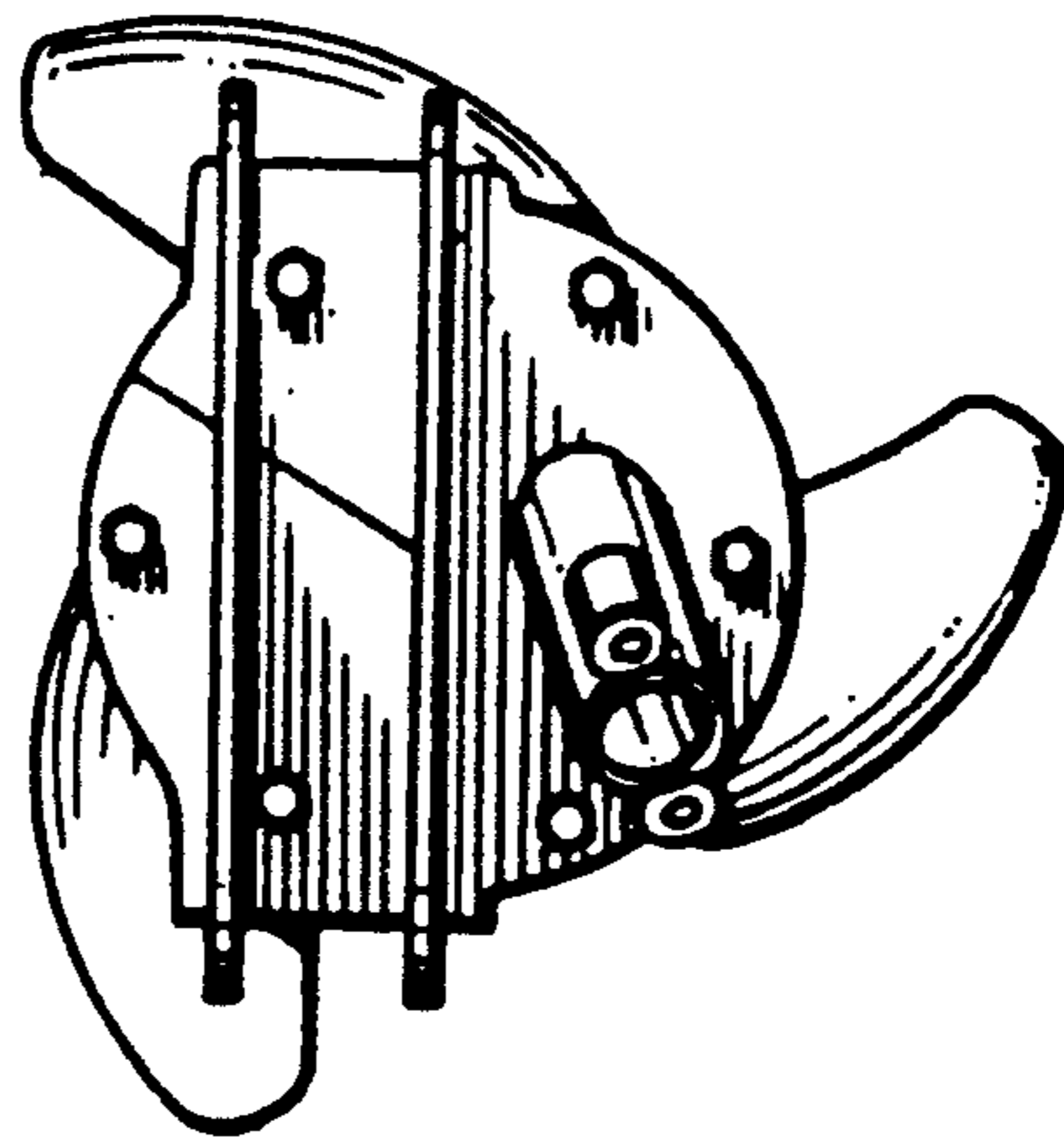


FIG. 4

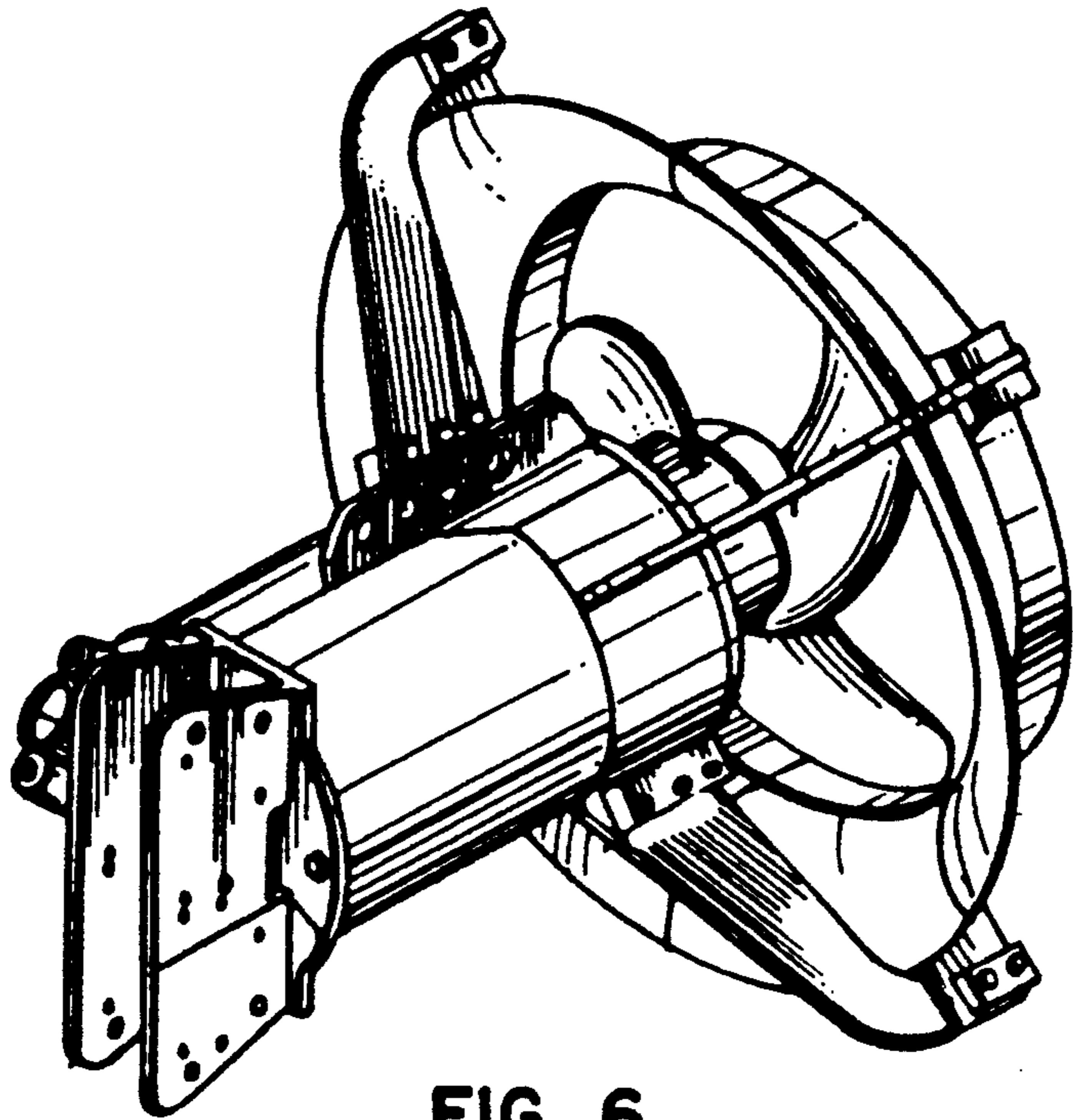


FIG. 6

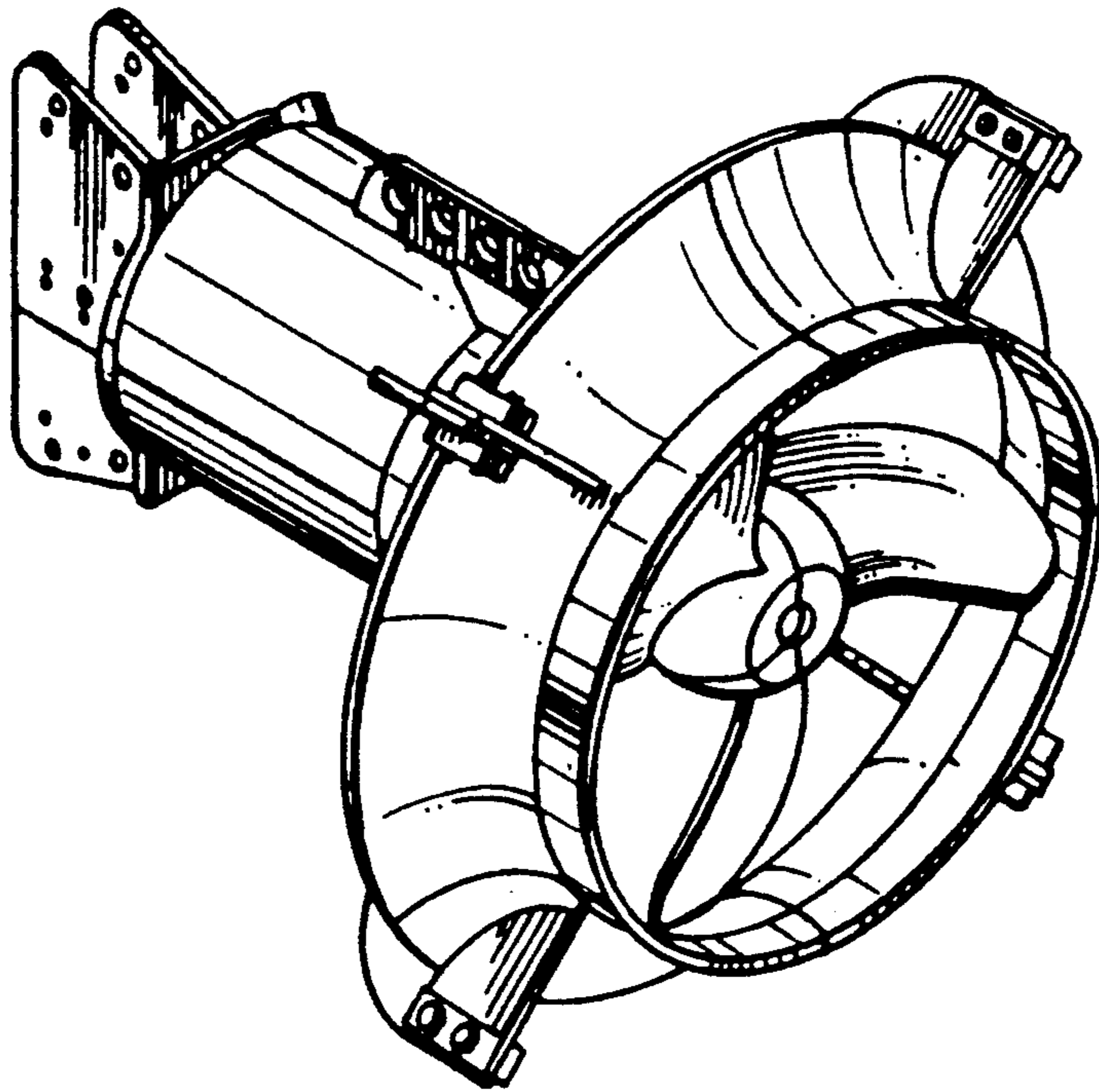


FIG. 7

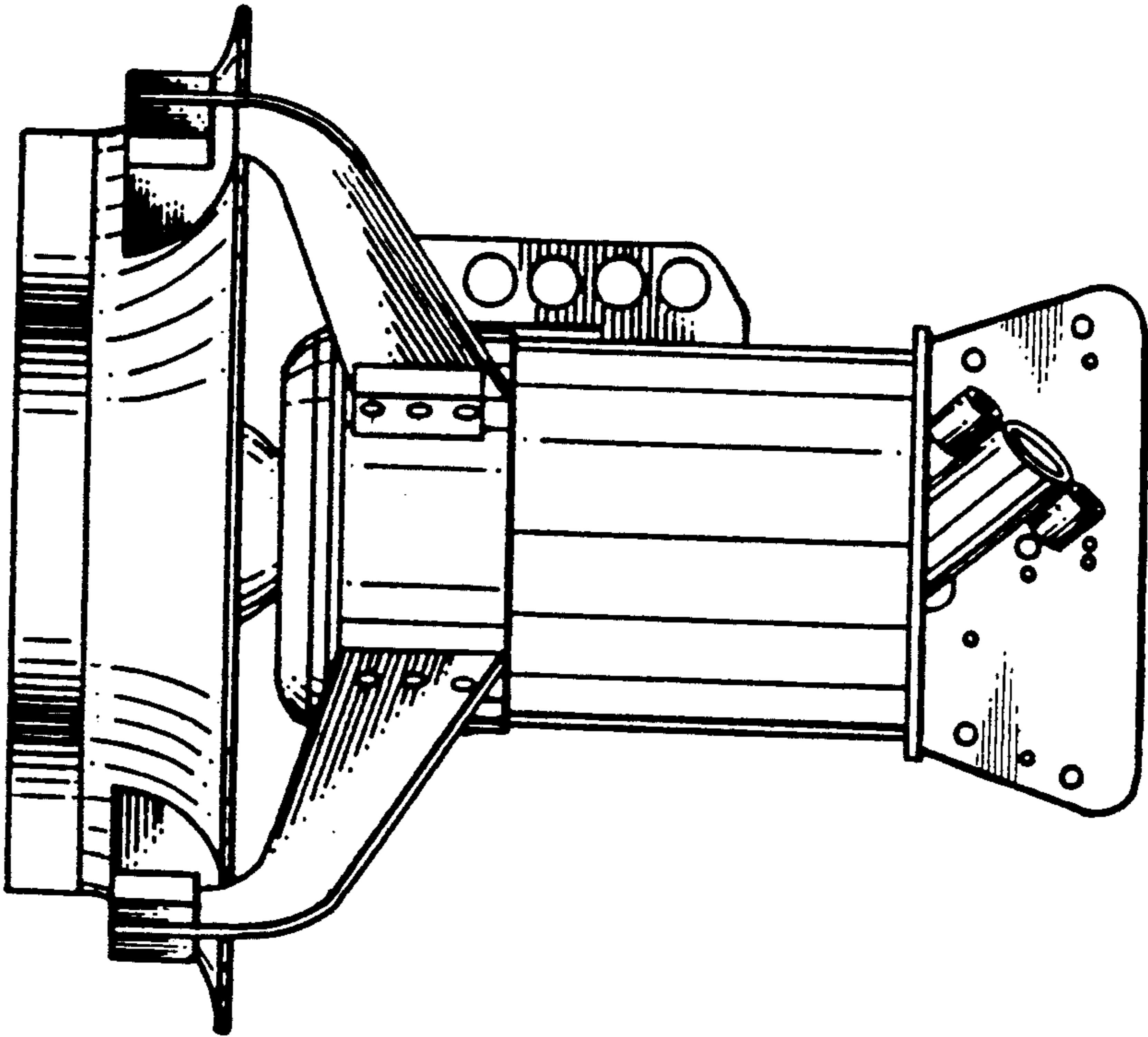


FIG. 8