



US00D341607S

United States Patent [19]

[11] Patent Number: **Des. 341,607**

Waskiewicz

[45] Date of Patent: **** Nov. 23, 1993**

[54] PILLOW BLOCK BEARING HOUSING

[75] Inventor: **Walter P. Waskiewicz**, Bristol, Conn.

[73] Assignee: **The Torrington Company**, Torrington, Conn.

[**] Term: **14 Years**

[21] Appl. No.: **1,840**

[22] Filed: **Nov. 23, 1992**

Related U.S. Application Data

[62] Division of Ser. No. 920,719, Jul. 28, 1992.

[52] U.S. Cl. **D15/143**

[58] Field of Search **D7/528, 532; D25/60; D15/143; 384/29, 38, 43, 57, 428-444, 448, 541**

[56] References Cited

U.S. PATENT DOCUMENTS

- 3,873,167 3/1975 Anderson .
- 3,936,099 2/1976 Braun et al. .
- 4,005,917 2/1977 Richardson et al. 384/432 X
- 4,758,101 7/1988 Roof, Sr. et al. .

FOREIGN PATENT DOCUMENTS

- 689910 4/1953 United Kingdom 384/404

OTHER PUBLICATIONS

Product Engineering, Link-Belt Flex-Block Sleeve Bearing, Feb. 1962, p. 8.

Fafnir, Single Pillow Blocks-Standard Series (RAKH) Type, ©1966, p. 94.

A portion of an undated publication of Amoco Performance Products entitled "Polysulfone Design Engineering Data".

Page from sales brochure of SKF GmbH, Schweinfurt, Fed. Rep. of Germany.

Pages from sales brochure of Dodge Division, Reliance Electric Company, Cleveland, Ohio.

Pages (2) from sales brochure of The Torrington Company, Torrington, Conn.

Primary Examiner—Nelson C. Holtje

Assistant Examiner—Antoine D. Davis

Attorney, Agent, or Firm—John C. Bigler

[57] CLAIM

The ornamental design for a pillow block bearing housing face, as shown and described.

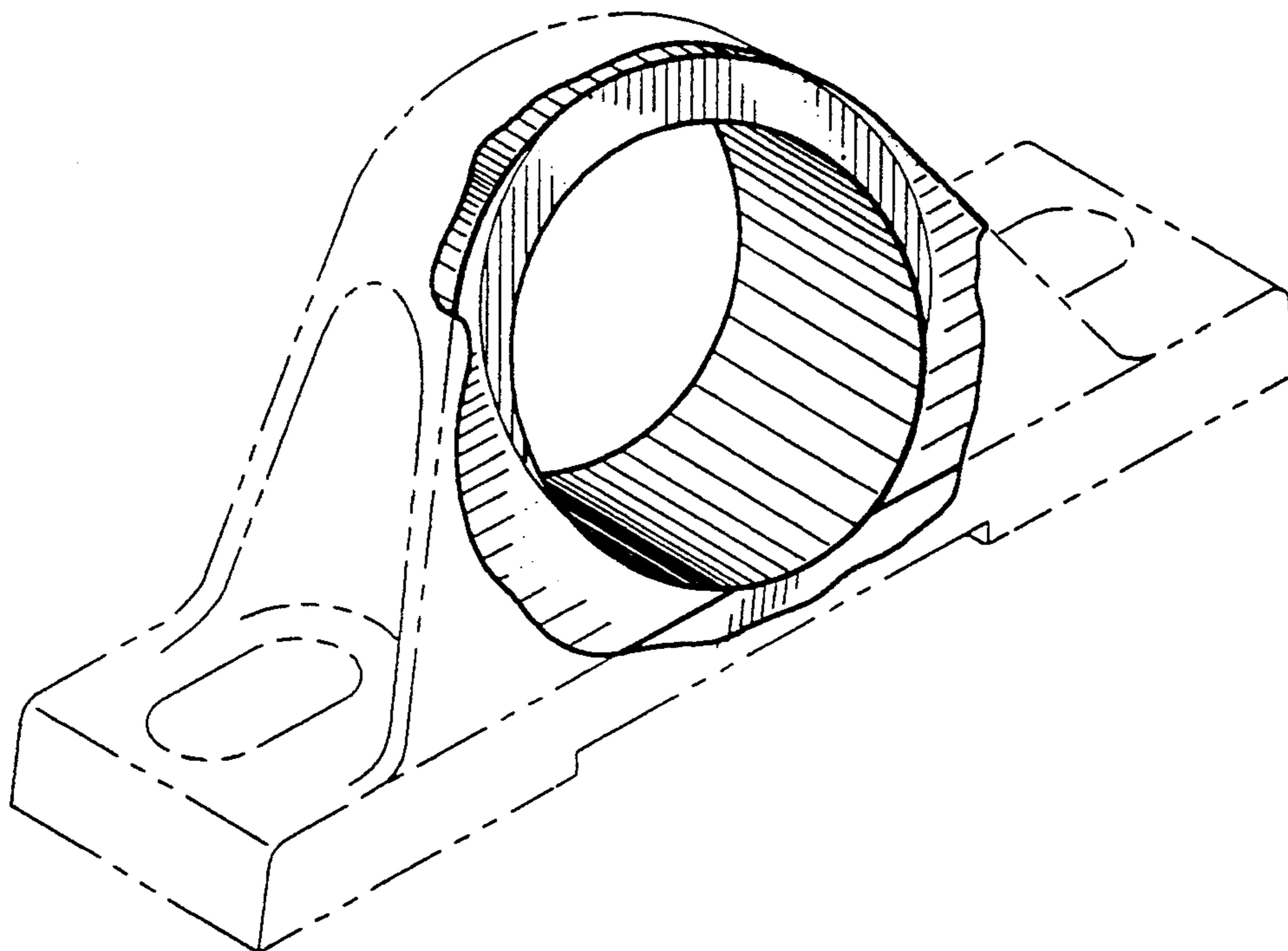
DESCRIPTION

FIG. 1 is an isometric view of the left side, top and front of a pillow block bearing housing face showing my design;

FIG. 2 is a front view of my pillow block bearing housing face design;

FIG. 3 is a top view of my pillow block bearing housing face design; and,

FIG. 4 is a side view of my pillow block bearing housing face design.



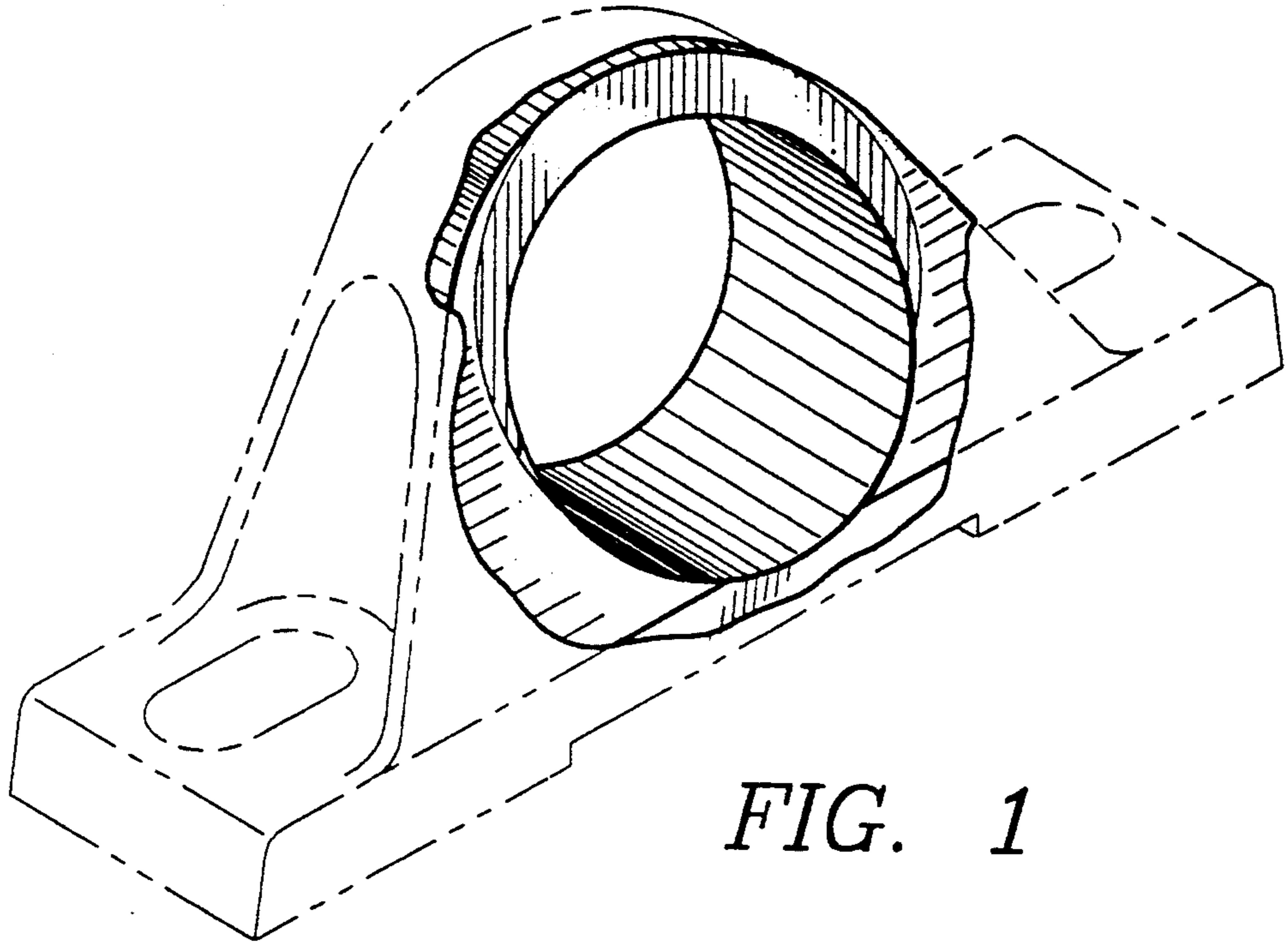


FIG. 1

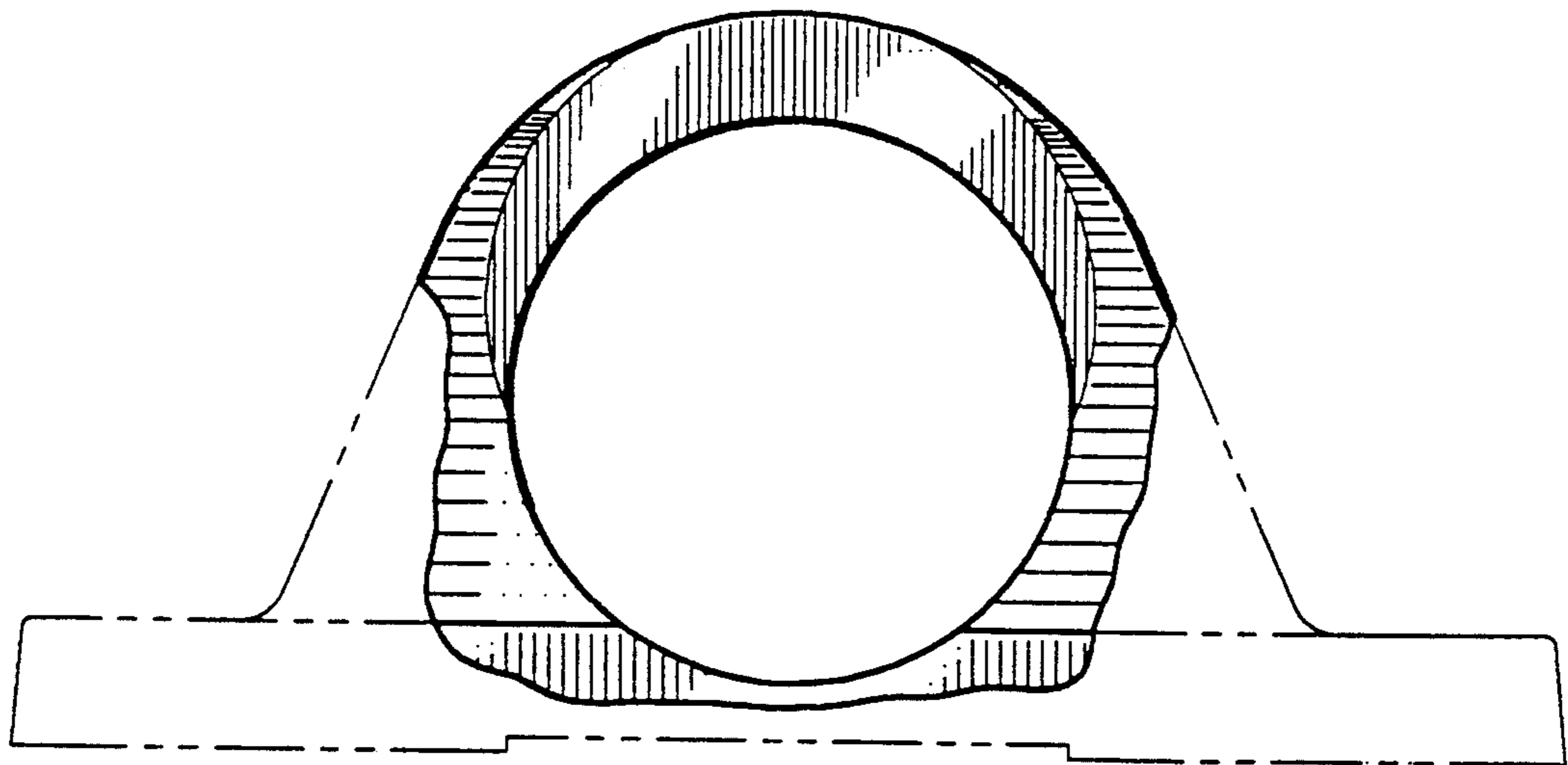


FIG. 2

FIG. 3

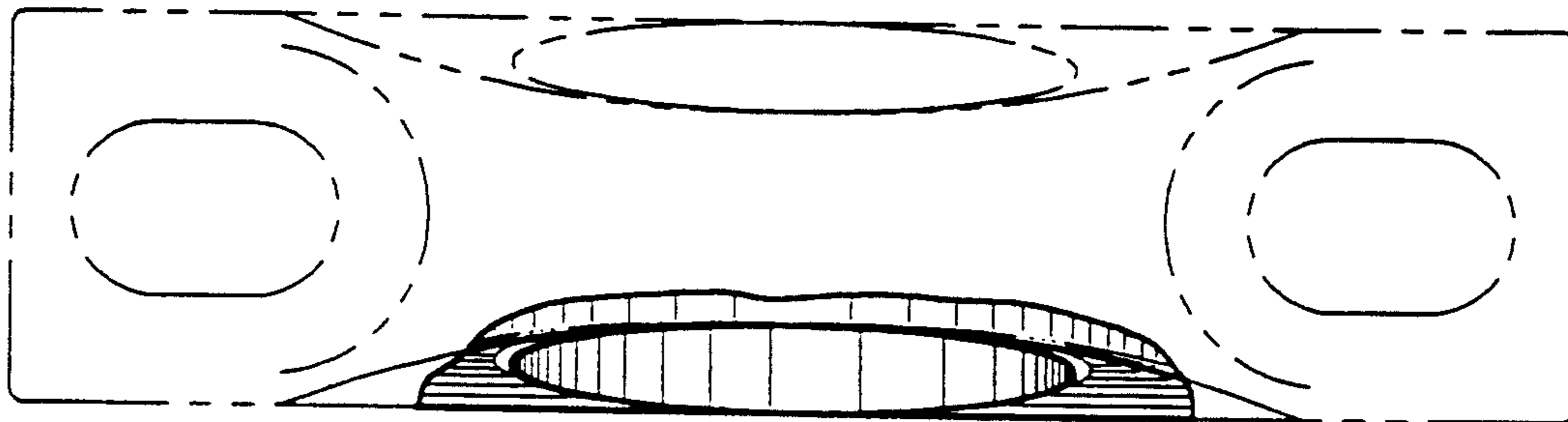
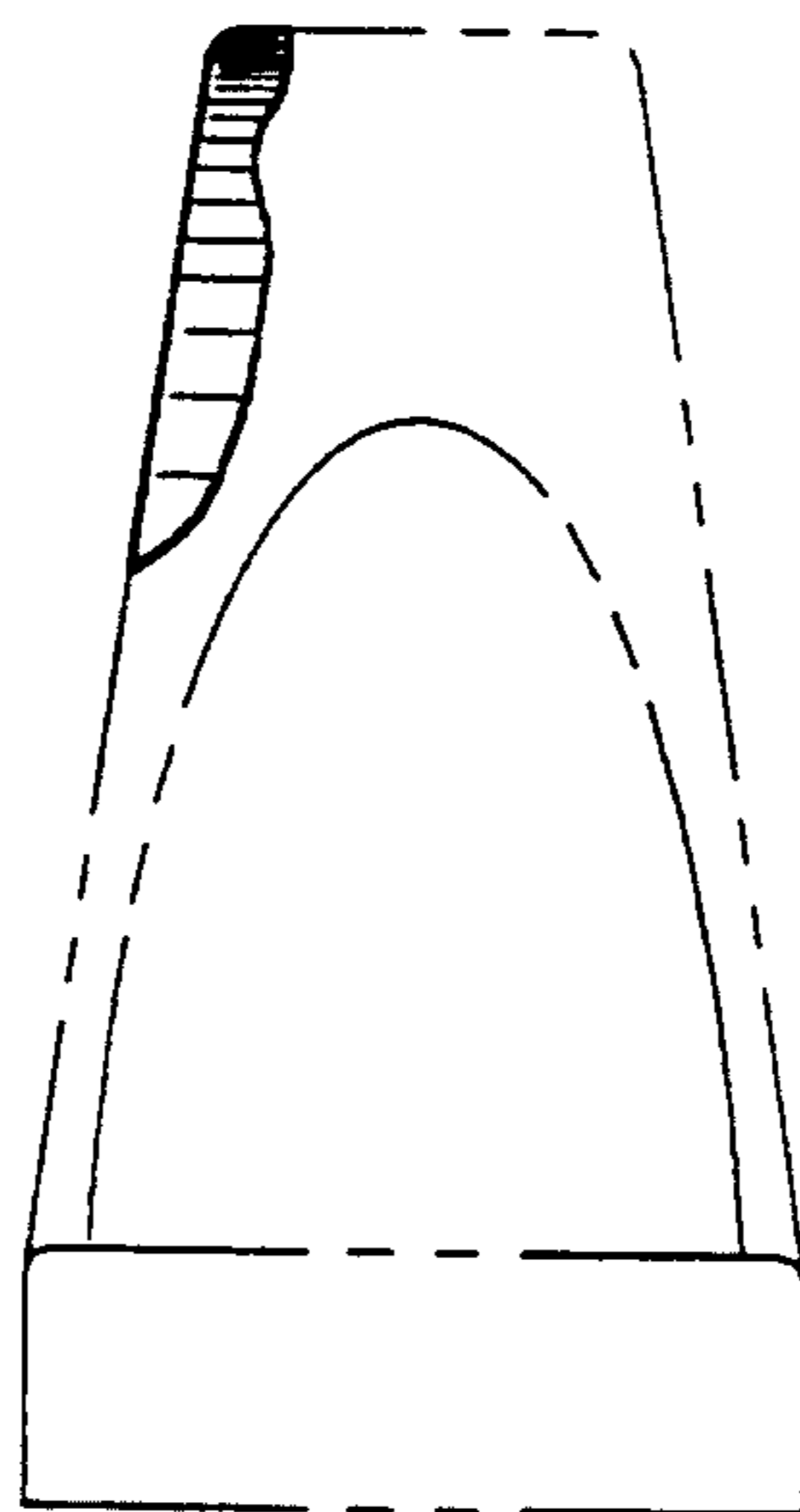


FIG. 4



UNITED STATES PATENT AND TRADEMARK OFFICE
CERTIFICATE OF CORRECTION

PATENT NO. : Des. 341,607
DATED : November 23, 1993
INVENTOR(S) : Walter P. Waskiewicz

It is certified that error appears in the above—identified patent and that said Letters Patent is hereby corrected as shown below:

On the title page:

Item [54], delete "PILLOW BLOCK BEARING HOUSING" and substitute
--PILLOW BLOCK BEARING HOUSING FACE--.

Signed and Sealed this
Seventh Day of June, 1994

Attest:



BRUCE LEHMAN

Attesting Officer

Commissioner of Patents and Trademarks